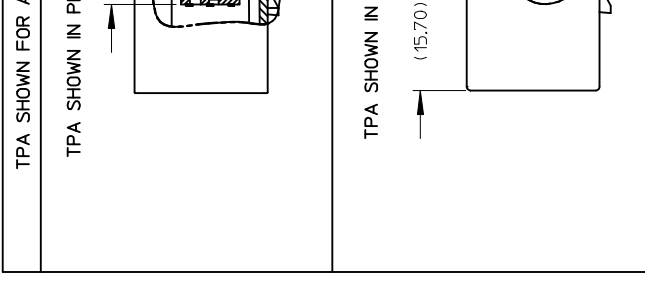
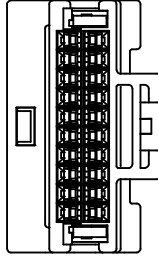
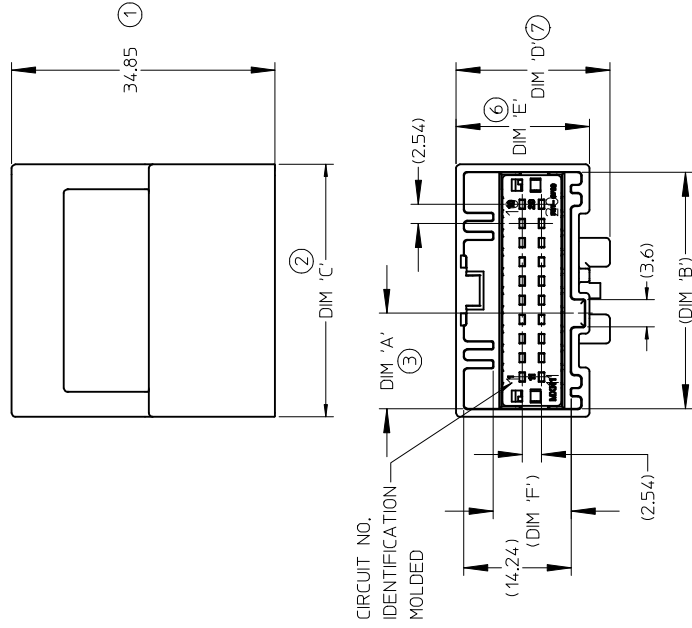




**THE DATASHEET OF**  
**309681080**



12 11 10 9 8 7 6 5 4



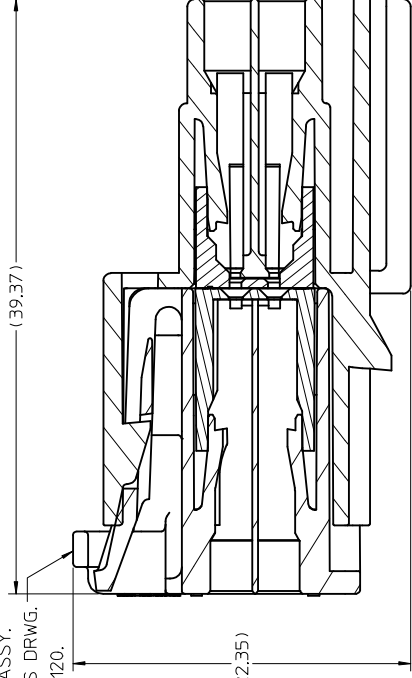
**20 CIRCUIT MALE INLINE  
HARNES ASSEMBLY SHOWN.**

- NOTES:
1. MATERIAL: HOUSING: SPS GLASS FILLED, COLOR SEE CHART. TPA: PBT, COLOR RED
  2. PACKAGING SPECIFICATION: DRAWINGS BULK ----- PK-30907-760 PARTITION --- PK-31302-105
  3. PACKAGING: REFERENCE MOLEX SPECIFICATION PS-34646-001, AVAILABLE AT WWW.MOLEX.COM (REFERENCE: TPA'S THAT ARE FOUND IN SEATED (FINAL LOCK) POSITION)
  4. MATES WITH: SEE SALES DRAWING SD-30700-120
  5. CONNECTOR IS DESIGNED FOR USE WITH TYCO TERMINAL PART NUMBERS: 1-1419158-6(22-24 AWG) AND 2-1419158-5 (18-20 AWG).
  6. APPLICATION SPECIFICATION SEE: AS-30700-000
  7. PRODUCT SPECIFICATION SEE: PS-30968-0001

EC NO: UAU2016-0461	DRWN:KHEWITT 2015/09/04	CHKD:	APPR:RBALUMAN 2015/10/05	REV	L3
QUALITY SYMBOLS	DESCRIPTION	APPROVALS	DATE	MATERIAL	DATE
▲-0					
∇C-0					
GENERAL TOLERANCES (UNLESS SPECIFIED)	SCALE	DESIGN UNITS	TITLE		
4 PLACES ± --- INCH	2:1	METRIC			
3 PLACES ± ---			DIRECTION STYLE		
2 PLACES ± 0.13			MM ONLY		
1 PLACE ± 0.25			DRAWN BY	DATE	
ANGULAR ±1/2°			JKSIAM	99/09/03	
			CHECKED BY	DATE	
			LGEIB	99/10/28	
			APPROVED BY	DATE	
			BWILSON	99/10/28	
DRAFT WHERE APPLICABLE MUST REMAIN WITHIN DIMENSIONS					
THIS DRAWING CONTAINS INFORMATION INCORPORATED AND SHOULD BE					

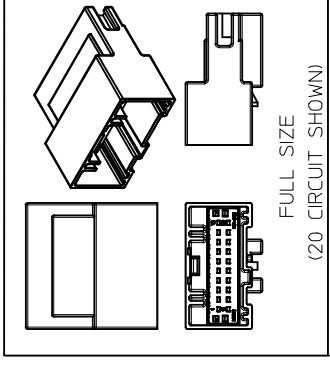
11 10 9 8 7 6 5 4

HARNESS ASSY.  
SEE SALES DRWG.  
SD-30700-120.

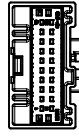


### SECTION B-B

MATED VIEW



FULL SIZE  
(20 CIRCUIT SHOWN)



20 CIRCUIT



10 CIRCUIT

FULL

PACKAGING		POLARIZATION OPTIONS & CIRCUIT SIZE				PRODUCT DIMENSIONS					
ASSEMBLY P/N PARTITION PACKED	ASSEMBLY P/N BULK PACKED	MALE IN-LINE HARNESS ASSEMBLY (POLARIZATION OPTIONS)	CIRCUIT SIZE	'A'	'B'	'C'	'D'	'E'	'F'	HOUSING COLOR	STA
	30968-1060	POLARIZATION OPTION #1	6	3.76	13.51	15.61	19.78	17.58	10.37	GRAY	RELE
	30968-1061	POLARIZATION OPTION #2	6	6.76	13.51	15.61	19.78	17.58	10.37	BLACK	RELE
	30968-1062	POLARIZATION OPTION #3	6	9.76	13.51	15.61	19.78	17.58	10.37	NATURAL (CREAM)	NOT REL
	30968-1080	POLARIZATION OPTION #1	8	5.03	16.05	18.05	19.78	17.58	10.38	GRAY	RELE
	30968-1081	POLARIZATION OPTION #2	8	8.03	16.05	18.05	19.78	17.58	10.38	BLACK	RELE
	30968-1082	POLARIZATION OPTION #3	8	11.03	16.05	18.05	19.78	17.58	10.38	NATURAL (CREAM)	RELE
30968-9100	30968-1100	POLARIZATION OPTION #1	10	6.30	18.59	20.69	19.78	17.58	10.37	GRAY	RELE
30968-9101	30968-1101	POLARIZATION OPTION #2	10	9.30	18.59	20.69	19.78	17.58	10.37	BLACK	RELE
	30968-1102	POLARIZATION OPTION #3	10	12.30	18.59	20.69	19.78	17.58	10.37	NATURAL (CREAM)	NOT REL
	30968-1123*	POLARIZATION OPTION #1 W/ CHRISTMAS TREE ATTACHMENT	12	7.57	21.28	23.23	20.34	17.64	10.34	GRAY	RELE
	30968-1127	POLARIZATION OPTION #1	12	7.57	21.28	23.23	20.34	17.64	10.34	GRAY	RELE
	30968-1126*	POLARIZATION OPTION #2 W/ CHRISTMAS TREE ATTACHMENT	12	10.57	21.28	23.23	20.34	17.64	10.34	BLACK	RELE
	30968-1128	POLARIZATION OPTION #2	12	10.57	21.28	23.23	20.34	17.64	10.34	BLACK	RELE
	30968-1129	POLARIZATION OPTION #3	12	13.57	21.28	23.23	20.34	17.64	10.34	NATURAL (CREAM)	RELE
	30968-1167	POLARIZATION OPTION #1	16	10.11	26.36	28.31	20.34 +0.13 -0.20	17.64	10.34	GRAY	RELE
	30968-1164*	POLARIZATION OPTION #1 W/ CHRISTMAS TREE ATTACHMENT	16	10.11	26.06	28.31	20.34 +0.13 -0.20	17.64	10.34	GRAY	RELE
	30968-1168	POLARIZATION OPTION #2	16	13.11	26.36	28.31	20.34 +0.13 -0.20	17.64	10.34	BLACK	RELE
	30968-1169	POLARIZATION OPTION #3	16	16.11	26.36	28.31	20.34 +0.15 -0.20	17.64	10.34	NATURAL (CREAM)	RELE
	30968-1207	POLARIZATION OPTION #1	20	12.65	31.44	33.39	20.34	17.64	10.34	GRAY	RELE
	30968-1208	POLARIZATION OPTION #2	20	15.65	31.44	33.39	20.34	17.64	10.34	BLACK	RELE
	30968-1209	POLARIZATION OPTION #3	20	18.65	31.44	33.39	20.34	17.64	10.34	NATURAL (CREAM)	RELE

\*MOLEX INTERNAL CHRISTMAS TREE P/N 88794-1188

QUALITY SYMBOLS	SCALE	DESIGN UNITS
 	METRIC	TITLE
DESCRIPTION	DIMENSION STYLE	DATE
APP: RB AUMAN 2015/10/05	MM ONLY	99/09/03
CHKD:	DRAWN BY	DATE
DRW: KHEWITT 2015/09/04	JKSIK	99/09/03
EC NO: UAU2016-0461	CHECKED BY	DATE
SEE ECN# UAU2001-0258	LGEIB	99/10/28
REV	APPROVED BY	DATE
L3	BWILSON	99/10/28
	THIS DRAWING CONTAINS INFO INCORPORATED AND SHOULD	

## Looking for pricing, stock, or lifecycle information?

Click below to explore more details on WIN SOURCE:

 [View 309681080](#) on WIN SOURCE

 [Molex, LLC](#) Information

## Optimize Your Supply Chain with WIN SOURCE Solutions

-  Global Sourcing Solution
-  Obsolete Management
-  Cost Control Management
-  Shortage Management
-  Alternative Solution
-  Excess Inventory Management