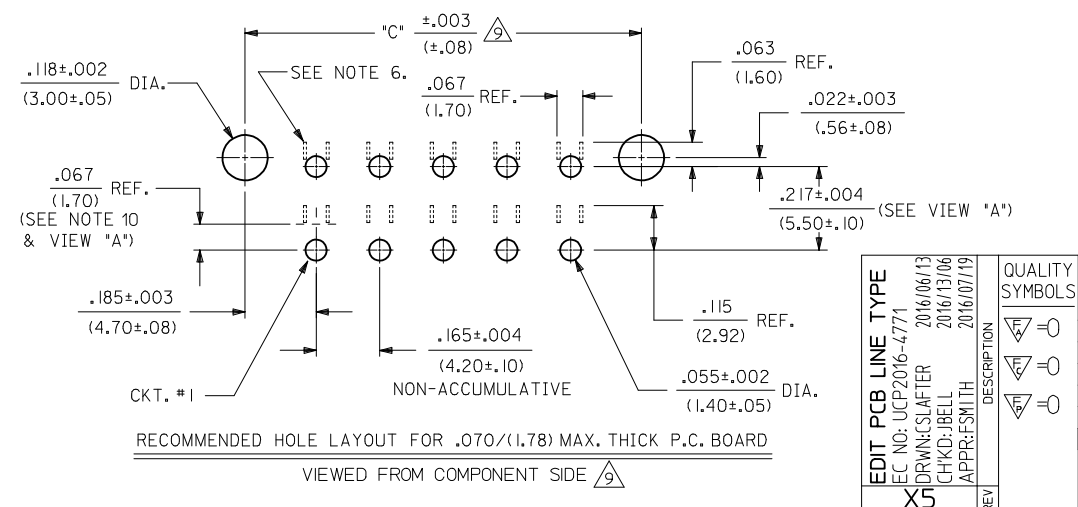
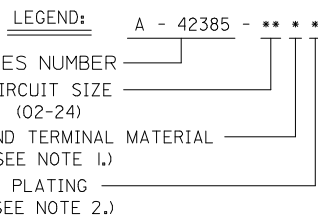


NOTES:

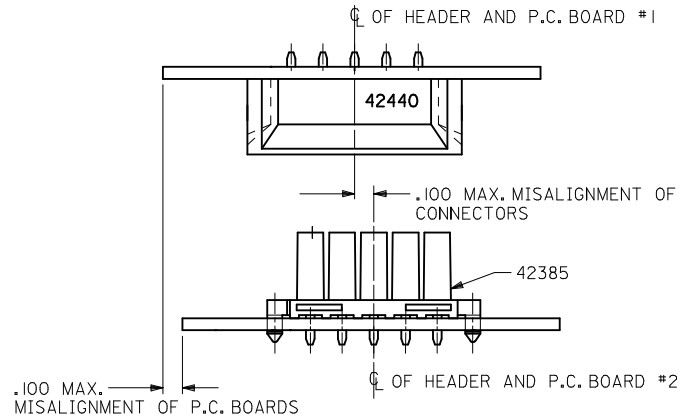
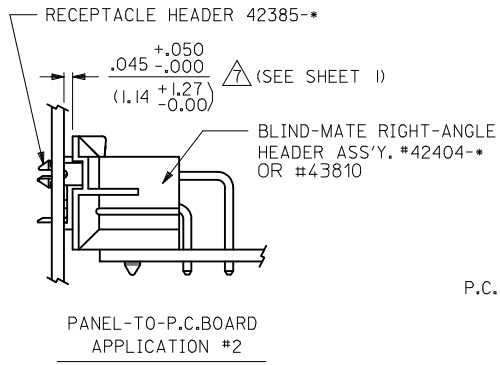
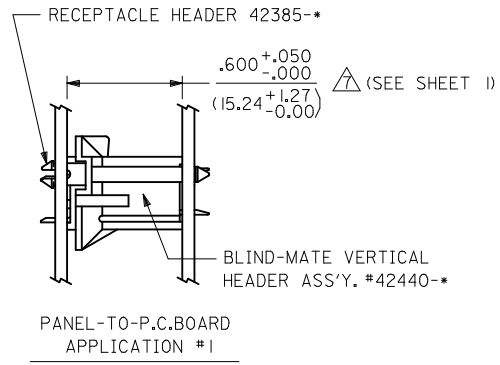
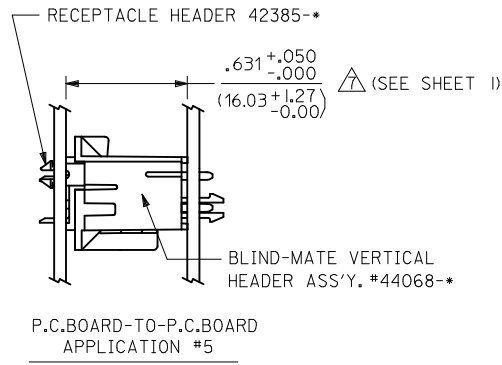
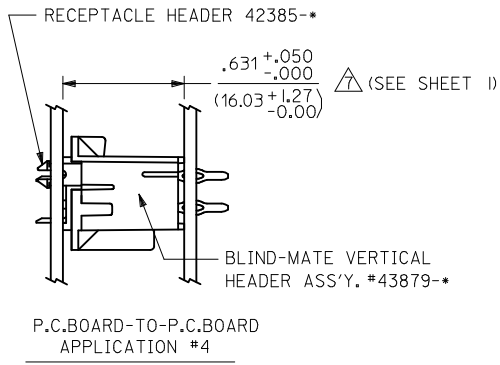
- 1) HOUSING AND TERMINAL MATERIAL:
 - A - HOUSING : NYLON 6/6, UNFILLED U.L. 94V-2, COLOR NATURAL. TERMINAL: BRASS.
 - B - HOUSING : NYLON 6/6, UNFILLED U.L. 94V-0, COLOR NATURAL. TERMINAL: BRASS.
 - C - HOUSING : NYLON 6/6, UNFILLED U.L. 94V-2, COLOR NATURAL. TERMINAL: PHOS. BRONZE.
 - D - HOUSING : NYLON 6/6, UNFILLED U.L. 94V-0, COLOR NATURAL. TERMINAL: PHOS. BRONZE.
- 2) TERMINAL PLATING:
 - 1 - .000100/(.00254) MIN. MATTE TIN OVER .000050/(.00127) MIN. NICKEL.
 - 2 - .000030/(.00076) MIN. SELECT GOLD AND .000100/(.00254) MIN. SELECT MATTE TIN OVER .000050/(.00127) MIN. NICKEL OVERALL.
 - 4 - .000050/(.00127) MIN. SELECT GOLD AND .000100/(.00254) MIN. SELECT MATTE TIN OVER .000050/(.00127) MIN. NICKEL OVERALL.
- 3) PRODUCT SPECIFICATION: PS-5556-002.
- 4) TRAY PACK PER PK-42385-999.
- 5) PART MATES WITH MINI-FIT B.M.I. PLUG #42475 AND HEADERS 42404,42440,43810,43879, AND 44068
- 6) PHANTOM LINES INDICATE AREAS WHERE TERMINAL STANDOFFS CONTACT P.C. BOARD. NO EXPOSED TRACES OR VIAS ALLOWED NEAR THESE AREAS.
- 7) A MAXIMUM TOLERANCE OF .050/(1.27) ALLOWS FOR 2 POINTS OF ELECTRICAL CONTACT. A MAXIMUM TOLERANCE OF .020/(.51) ALLOWS FOR 4 POINTS OF CONTACT.
- 8) .016 IN/IN OR .016 MM/MM MAX. BOW ALLOWABLE AT DATUM **-C-**.
- 9) IT IS RECOMMENDED TO USE THE 42475 SERIES MATING PART NUMBER WITHOUT TERMINALS TO AID IN PCB INSERTION. INSERT THE 42385 PART INTO THE 42475 PART AND THEN INSERT INTO THE PCB.
- 10) DIMENSION TO BE USED FOR ALIGNMENT OF CIRCUIT #1 OF MATING CONNECTOR
- 11) CONNECTOR ASSEMBLIES ARE NOT TO BE MATED OR UNMATED WHILE CIRCUITS ARE LIVE.
- 12) PARTS NOT DESIGNED FOR CURRENT SHARING.
- 13) WHEN THIS PRODUCT IS USED IN A BLIND MATING APPLICATION, THE SYSTEM LEVEL DESIGN MUST INCORPORATE GUIDANCE SO THE CONNECTORS ARE WITHIN THE CAPTURE ENVELOPE (UP TO (.100/2.54) MISALIGNMENT) OF THE FLANGES ON THE HEADER OR PLUG HOUSING AND CAN THUS ALIGN THEMSELVES AS THEY COME TOGETHER. FLOAT IS ALSO REQUIRED IN THE OVERALL DESIGN, TO ALLOW THE PCB RECEPTACLE OR IT'S MATE TO MOVE INTO A STRESS-FREE POSITION AFTER MATING. IN BOARD TO BOARD APPLICATIONS, ONLY ONE HEADER IS ALLOWED PER P.C. BOARD.
- 14) PARTS CONFORM TO CLASS 'B' REQUIREMENTS OF COSMETIC SPECIFICATION PS-45499-002.

CIRCUIT SIZE	DIM. 'A'	DIM. 'B'	DIM. 'C'
2	—	.21 (5.4)	.370 (9.40)
4	.165 (4.20)	.38 (9.6)	.535 (13.60)
6	.331 (8.40)	.54 (13.8)	.701 (17.80)
8	.496 (12.60)	.71 (18.0)	.866 (22.00)
10	.661 (16.80)	.87 (22.2)	1.031 (26.20)
12	.827 (21.00)	1.04 (26.4)	1.197 (30.40)
14	.992 (25.20)	1.20 (30.6)	1.362 (34.60)
16	1.157 (29.40)	1.37 (34.8)	1.528 (38.80)
18	1.323 (33.60)	1.54 (39.0)	1.693 (43.00)
20	1.488 (37.80)	1.70 (43.2)	1.858 (47.20)
22	1.654 (42.00)	1.87 (47.4)	2.024 (51.40)
24	1.819 (46.20)	2.03 (51.6)	2.189 (55.60)

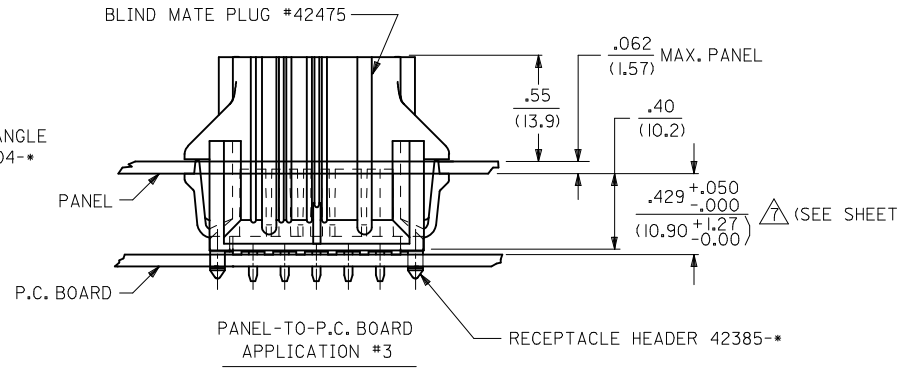


EDIT PCB LINE TYPE	QUALITY SYMBOLS
EC NO: UCP2016-4771	▽=0
DRWING:SLAFTER	▽=0
CHKD:JBELL	▽=0
APPR:FSMITH	▽=0
REV	
X5	

GENERAL TOLERANCES (UNLESS SPECIFIED)	DIMENSION STYLE		SCALE	DESIGN UNITS	THIRD ANGLE PROJECTION
	mm	IN/MM			
4 PLACES ± --- ± ---	RJF	DRAWN BY	DATE	TITLE	RECEPTACLE HEADER ASSY MINI-FIT SERIES BLIND MATE molex
3 PLACES ± --- ± .010	CHECKED BY	JTR	DATE	1988/12/09	
2 PLACES ± 0.25 ± .015	APPROVED BY	FSMITH	DATE	1988/12/09	
1 PLACE ± 0.38 ± ---	DATE	2010/11/22			
0 PLACE ± ±					
ANGULAR ± 5 °		MATERIAL NO.		DOCUMENT NO.	SHEET NO.
DRAFT WHERE APPLICABLE MUST REMAIN WITHIN DIMENSIONS		SEE SHT 3-4		SDA-42385-*	1 OF 4
THIS DRAWING CONTAINS INFORMATION THAT IS PROPRIETARY TO MOLEX INCORPORATED AND SHOULD NOT BE USED WITHOUT WRITTEN PERMISSION					



ALIGNMENT TOLERANCES FOR .100 MAX. BOARD-TO-BOARD MISALIGNMENT
(NO CONNECTOR FLOAT)



SEE NOTE 13

SEE SHEET 1 EC NO: UCP2016-4771 DRWNG: SLAFTER 2016/06/13 CHKD: JBELL 2016/13/06 APPR: FSMITH 2016/07/19	QUALITY SYMBOLS	GENERAL TOLERANCES (UNLESS SPECIFIED)	DIMENSION STYLE	SCALE	DESIGN UNITS	THIRD ANGLE PROJECTION
	▽=0	mm INCH	IN/MM	4:1	METRIC	☉
	▽=0	4 PLACES ± --- ± ---	DRAWN BY DATE	RECEPTACLE HEADER ASSY		
	▽=0	3 PLACES ± --- ± .010	RJF 1988/12/09	MINI-FIT SERIES		
	▽=0	2 PLACES ± 0.25 ± .015	CHECKED BY DATE	BLIND MATE		
	1 PLACE ± 0.38 ± ---	JTR 1988/12/09	molex			
	0 PLACE ± ±	APPROVED BY DATE	SDA-42385-*			
		FSMITH 2010/11/22	DOCUMENT NO.			
			MATERIAL NO.			
			SEE CHART			
			SIZE			
			THIS DRAWING CONTAINS INFORMATION THAT IS PROPRIETARY TO MOLEX INCORPORATED AND SHOULD NOT BE USED WITHOUT WRITTEN PERMISSION			
			DRAFT WHERE APPLICABLE MUST REMAIN WITHIN DIMENSIONS			
			ANGULAR ± 5 °			
			SHEET NO. 2 OF 4			

PART NUMBER	ENG. NUMBER	CKT. SIZE	HSG./TERM. MATERIAL	TERMINAL PLATING
NO E.D.P.	A-42385-02A1	2	94V-2/BRASS	MATTE TIN OVER NICKEL
15-24-7040	-04A1	4		
15-24-7060	-06A1	6		
NO E.D.P.	-08A1	8		
15-24-7100	-10A1	10		
NO E.D.P.	-12A1	12		
15-24-7140	-14A1	14		
15-24-7160	-16A1	16		
15-24-7180	-18A1	18		
NO E.D.P.	-20A1	20		
NO E.D.P.	-22A1	22		
15-24-7240	A-42385-24A1	24	94V-2/BRASS	MATTE TIN OVER NICKEL
NO E.D.P.	A-42385-02A2	2	94V-2/BRASS	30 M.I. SEL. GOLD
15-24-7042	-04A2	4		
15-24-7062	-06A2	6		
NO E.D.P.	-08A2	8		
15-24-7102	-10A2	10		
NO E.D.P.	-12A2	12		
15-24-7142	-14A2	14		
15-24-7162	-16A2	16		
15-24-7182	-18A2	18		
NO E.D.P.	-20A2	20		
NO E.D.P.	-22A2	22		
15-24-7242	A-42385-24A2	24	94V-2/BRASS	30 M.I. SEL. GOLD
NO E.D.P.	A-42385-02C1	2	94V-2/P.B.	MATTE TIN OVER NICKEL
15-24-7044	-04C1	4		
15-24-7064	-06C1	6		
NO E.D.P.	-08C1	8		
15-24-7104	-10C1	10		
NO E.D.P.	-12C1	12		
15-24-7144	-14C1	14		
NO E.D.P.	-16C1	16		
15-24-7184	-18C1	18		
NO E.D.P.	-20C1	20		
NO E.D.P.	-22C1	22		
15-24-7244	A-42385-24C1	24	94V-2/P.B.	MATTE TIN OVER NICKEL
NO E.D.P.	A-42385-02C2	2	94V-2/P.B.	30 M.I. SEL. GOLD
NO E.D.P.	-04C2	4		
NO E.D.P.	-06C2	6		
NO E.D.P.	-08C2	8		
NO E.D.P.	-10C2	10		
NO E.D.P.	-12C2	12		
NO E.D.P.	-14C2	14		
NO E.D.P.	-16C2	16		
NO E.D.P.	-18C2	18		
NO E.D.P.	-20C2	20		
NO E.D.P.	-22C2	22		
NO E.D.P.	A-42385-24C2	24	94V-2/P.B.	30 M.I. SEL. GOLD

PART NUMBER	ENG. NUMBER	CKT. SIZE	HSG./TERM. MATERIAL	TERMINAL PLATING
NO E.D.P.	A-42385-02B1	2	94V-0, BRASS	MATTE TIN OVER NICKEL
15-24-7041	-04B1	4		
15-24-7061	-06B1	6		
NO E.D.P.	-08B1	8		
15-24-7101	-10B1	10		
NO E.D.P.	-12B1	12		
15-24-7141	-14B1	14		
15-24-7161	-16B1	16		
15-24-7181	-18B1	18		
NO E.D.P.	-20B1	20		
NO E.D.P.	-22B1	22		
15-24-7241	A-42385-24B1	24	94V-0, BRASS	MATTE TIN OVER NICKEL
NO E.D.P.	A-42385-02B2	2	94V-0, BRASS	30 M.I. SEL. GOLD
15-24-7043	-04B2	4		
15-24-7063	-06B2	6		
NO E.D.P.	-08B2	8		
15-24-7103	-10B2	10		
NO E.D.P.	-12B2	12		
15-24-7143	-14B2	14		
15-24-7163	-16B2	16		
15-24-7183	-18B2	18		
NO E.D.P.	-20B2	20		
NO E.D.P.	-22B2	22		
15-24-7243	A-42385-24B2	24	94V-0, BRASS	30 M.I. SEL. GOLD
NO E.D.P.	A-42385-02D1	2	94V-0/P.B.	MATTE TIN OVER NICKEL
NO E.D.P.	-04D1	4		
NO E.D.P.	-06D1	6		
NO E.D.P.	-08D1	8		
15-24-7105	-10D1	10		
NO E.D.P.	-12D1	12		
NO E.D.P.	-14D1	14		
NO E.D.P.	-16D1	16		
NO E.D.P.	-18D1	18		
NO E.D.P.	-20D1	20		
NO E.D.P.	-22D1	22		
NO E.D.P.	A-42385-24D1	24	94V-0/P.B.	MATTE TIN OVER NICKEL
NO E.D.P.	A-42385-02D2	2	94V-0/P.B.	30 M.I. SEL. GOLD
NO E.D.P.	-04D2	4		
15-24-7067	-06D2	6		
NO E.D.P.	-08D2	8		
15-24-7107	-10D2	10		
NO E.D.P.	-12D2	12		
NO E.D.P.	-14D2	14		
NO E.D.P.	-16D2	16		
15-24-7187	-18D2	18		
NO E.D.P.	-20D2	20		
NO E.D.P.	-22D2	22		
15-24-7247	A-42385-24D2	24	94V-0/P.B.	30 M.I. SEL. GOLD

SEE SHEET 1
 EC NO: UCP2016-4771
 DRAWN:CSLAFTER 2016/06/13
 CHKD:JBELL 2016/13/06
 APPR:FSMITH 2016/07/19

QUALITY SYMBOLS

GENERAL TOLERANCES (UNLESS SPECIFIED)

	mm	INCH
4 PLACES	± .005	± .0002
3 PLACES	± .010	± .0004
2 PLACES	± .025	± .0010
1 PLACE	± .038	± .0015
0 PLACE	± .050	± .0020

ANGULAR ± 5 °

DRAFT WHERE APPLICABLE MUST REMAIN WITHIN DIMENSIONS

DIMENSION STYLE
 IN/MM

SCALE
 1:1

DESIGN UNITS
 METRIC

THIRD ANGLE PROJECTION

RECEPTACLE HEADER ASSY
 MINI-FIT SERIES
 BLIND MATE

molex

SDA-42385-*

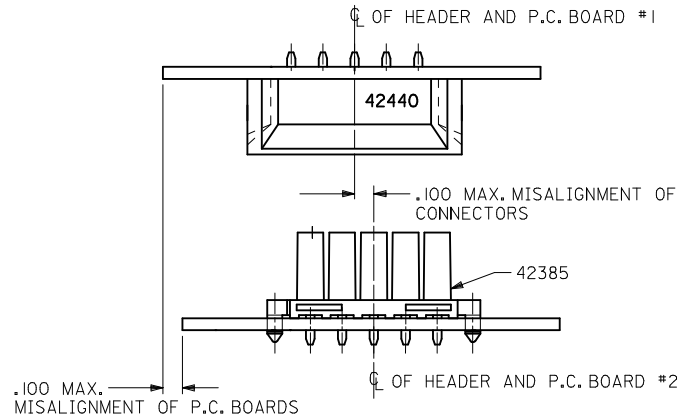
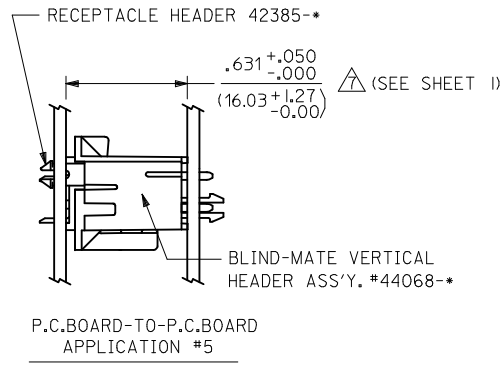
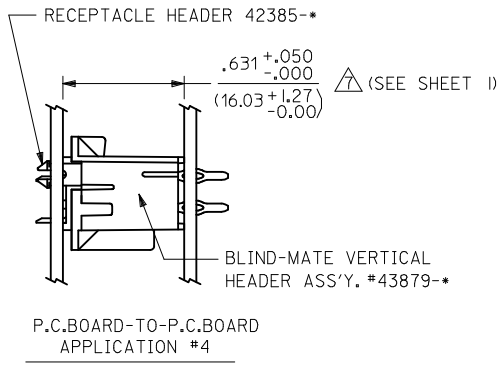
THIS DRAWING CONTAINS INFORMATION THAT IS PROPRIETARY TO MOLEX INCORPORATED AND SHOULD NOT BE USED WITHOUT WRITTEN PERMISSION

SHEET NO.
 3 OF 4

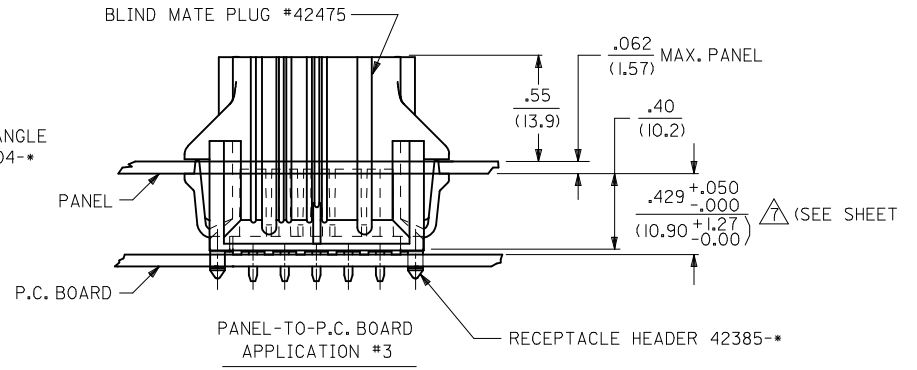
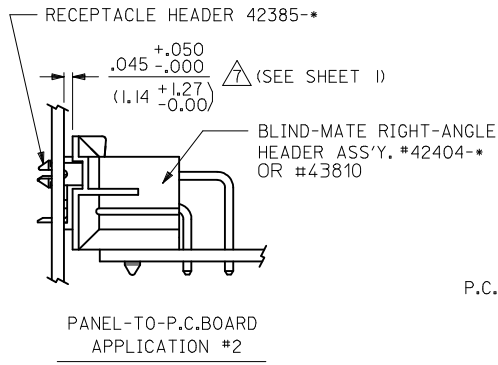
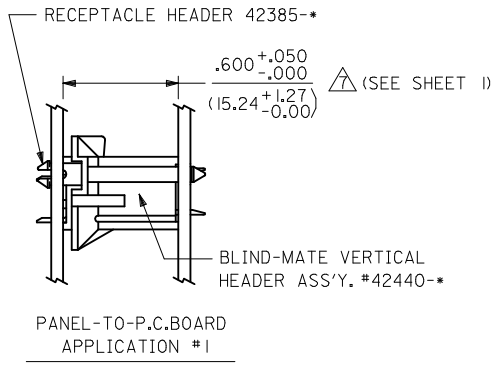
PART NUMBER	ENG. NUMBER	CKT. SIZE	HSG./TERM. MATERIAL	TERMINAL PLATING
NO E.D.P.	A-42385-02D4	2	94V-0/P.B.	50 M.I. SEL., GOLD
NO E.D.P.	-04D4	4		
NO E.D.P.	-06D4	6		
NO E.D.P.	-08D4	8		
NO E.D.P.	-10D4	10		
NO E.D.P.	-12D4	12		
NO E.D.P.	-14D4	14		
NO E.D.P.	-16D4	16		
NO E.D.P.	-18D4	18		
NO E.D.P.	-20D4	20		
NO E.D.P.	-22D4	22		
NO E.D.P.	A-42385-24D4	24	94V-0/P.B.	50 M.I. SEL., GOLD

PART NUMBER	ENG. NUMBER	CKT. SIZE	HSG./TERM. MATERIAL	TERMINAL PLATING
NO E.D.P.	A-42385-02C4	2	94V-2/P.B.	50 M.I. SEL., GOLD
NO E.D.P.	-04C4	4		
NO E.D.P.	-06C4	6		
NO E.D.P.	-08C4	8		
NO E.D.P.	-10C4	10		
NO E.D.P.	-12C4	12		
NO E.D.P.	-14C4	14		
NO E.D.P.	-16C4	16		
NO E.D.P.	-18C4	18		
NO E.D.P.	-20C4	20		
NO E.D.P.	-22C4	22		
NO E.D.P.	A-42385-24C4	24	94V-2/P.B.	50 M.I. SEL., GOLD

SEE SHEET 1 EC NO: UCP2016-4771 DRWNG:SLAFTR 2016/06/13 CHKD:JBELL 2016/13/06 APPR:FSMITH 2016/07/19	QUALITY SYMBOLS 	GENERAL TOLERANCES (UNLESS SPECIFIED) <table border="1"> <thead> <tr> <th></th> <th>mm</th> <th>INCH</th> </tr> </thead> <tbody> <tr><td>4 PLACES</td><td>± .010</td><td>± .0004</td></tr> <tr><td>3 PLACES</td><td>± .015</td><td>± .0005</td></tr> <tr><td>2 PLACES</td><td>± .025</td><td>± .0010</td></tr> <tr><td>1 PLACE</td><td>± 0.38</td><td>± .0150</td></tr> <tr><td>0 PLACE</td><td>±</td><td>±</td></tr> </tbody> </table>		mm	INCH	4 PLACES	± .010	± .0004	3 PLACES	± .015	± .0005	2 PLACES	± .025	± .0010	1 PLACE	± 0.38	± .0150	0 PLACE	±	±	DIMENSION STYLE IN/MM DRAWN BY DATE JTR 1988/12/09 CHECKED BY DATE JTR 1988/12/09 APPROVED BY DATE FSMITH 2010/11/22	SCALE DESIGN UNITS METRIC THIRD ANGLE PROJECTION	TITLE RECEPTACLE HEADER ASSY MINI-FIT SERIES BLIND MATE 	DOCUMENT NO. SDA-42385-* SHEET NO. 4 OF 4
		mm	INCH																					
	4 PLACES	± .010	± .0004																					
	3 PLACES	± .015	± .0005																					
	2 PLACES	± .025	± .0010																					
1 PLACE	± 0.38	± .0150																						
0 PLACE	±	±																						
DRAFT WHERE APPLICABLE MUST REMAIN WITHIN DIMENSIONS	MATERIAL NO. SEE CHART	THIS DRAWING CONTAINS INFORMATION THAT IS PROPRIETARY TO MOLEX INCORPORATED AND SHOULD NOT BE USED WITHOUT WRITTEN PERMISSION																						
ANGULAR ± 5 °	SIZE 																							



ALIGNMENT TOLERANCES FOR .100 MAX. BOARD-TO-BOARD MISALIGNMENT
(NO CONNECTOR FLOAT)



SEE NOTE 13

SEE SHEET 1 EC NO: UCP2016-4771 DRWNG: SLAFTER 2016/06/13 CHKD: JBELL 2016/13/06 APPR: FSMITH 2016/07/19 REV X5	QUALITY SYMBOLS	GENERAL TOLERANCES (UNLESS SPECIFIED)	DIMENSION STYLE	SCALE	DESIGN UNITS	THIRD ANGLE PROJECTION
	▽=0	mm INCH	IN/MM	4:1	METRIC	☉
	▽=0	4 PLACES ± --- ± ---	DRAWN BY DATE	TITLE		
	▽=0	3 PLACES ± --- ± .010	RJF 1988/12/09	RECEPTACLE HEADER ASSY		
	▽=0	2 PLACES ± 0.25 ± .015	CHECKED BY DATE	MINI-FIT SERIES		
	1 PLACE ± 0.38 ± ---	JTR 1988/12/09	BLIND MATE			
	0 PLACE ± ±	APPROVED BY DATE	molex			
	ANGULAR ± 5 °	FSMITH 2010/11/22	MATERIAL NO.	DOCUMENT NO.	SHEET NO.	
	DRAFT WHERE APPLICABLE MUST REMAIN WITHIN DIMENSIONS	SEE CHART	SDA-42385-*	2 OF 4		
		SIZE C	THIS DRAWING CONTAINS INFORMATION THAT IS PROPRIETARY TO MOLEX INCORPORATED AND SHOULD NOT BE USED WITHOUT WRITTEN PERMISSION			

PART NUMBER	ENG. NUMBER	CKT. SIZE	HSG./TERM. MATERIAL	TERMINAL PLATING
NO E.D.P.	A-42385-02A1	2	94V-2/BRASS	MATTE TIN OVER NICKEL
15-24-7040	-04A1	4		
15-24-7060	-06A1	6		
NO E.D.P.	-08A1	8		
15-24-7100	-10A1	10		
NO E.D.P.	-12A1	12		
15-24-7140	-14A1	14		
15-24-7160	-16A1	16		
15-24-7180	-18A1	18		
NO E.D.P.	-20A1	20		
NO E.D.P.	-22A1	22		
15-24-7240	A-42385-24A1	24	94V-2/BRASS	MATTE TIN OVER NICKEL
NO E.D.P.	A-42385-02A2	2	94V-2/BRASS	30 M.I. SEL. GOLD
15-24-7042	-04A2	4		
15-24-7062	-06A2	6		
NO E.D.P.	-08A2	8		
15-24-7102	-10A2	10		
NO E.D.P.	-12A2	12		
15-24-7142	-14A2	14		
15-24-7162	-16A2	16		
15-24-7182	-18A2	18		
NO E.D.P.	-20A2	20		
NO E.D.P.	-22A2	22		
15-24-7242	A-42385-24A2	24	94V-2/BRASS	30 M.I. SEL. GOLD
NO E.D.P.	A-42385-02C1	2	94V-2/P.B.	MATTE TIN OVER NICKEL
15-24-7044	-04C1	4		
15-24-7064	-06C1	6		
NO E.D.P.	-08C1	8		
15-24-7104	-10C1	10		
NO E.D.P.	-12C1	12		
15-24-7144	-14C1	14		
NO E.D.P.	-16C1	16		
15-24-7184	-18C1	18		
NO E.D.P.	-20C1	20		
NO E.D.P.	-22C1	22		
15-24-7244	A-42385-24C1	24	94V-2/P.B.	MATTE TIN OVER NICKEL
NO E.D.P.	A-42385-02C2	2	94V-2/P.B.	30 M.I. SEL. GOLD
NO E.D.P.	-04C2	4		
NO E.D.P.	-06C2	6		
NO E.D.P.	-08C2	8		
NO E.D.P.	-10C2	10		
NO E.D.P.	-12C2	12		
NO E.D.P.	-14C2	14		
NO E.D.P.	-16C2	16		
NO E.D.P.	-18C2	18		
NO E.D.P.	-20C2	20		
NO E.D.P.	-22C2	22		
NO E.D.P.	A-42385-24C2	24	94V-2/P.B.	30 M.I. SEL. GOLD

PART NUMBER	ENG. NUMBER	CKT. SIZE	HSG./TERM. MATERIAL	TERMINAL PLATING
NO E.D.P.	A-42385-02B1	2	94V-0, BRASS	MATTE TIN OVER NICKEL
15-24-7041	-04B1	4		
15-24-7061	-06B1	6		
NO E.D.P.	-08B1	8		
15-24-7101	-10B1	10		
NO E.D.P.	-12B1	12		
15-24-7141	-14B1	14		
15-24-7161	-16B1	16		
15-24-7181	-18B1	18		
NO E.D.P.	-20B1	20		
NO E.D.P.	-22B1	22		
15-24-7241	A-42385-24B1	24	94V-0, BRASS	MATTE TIN OVER NICKEL
NO E.D.P.	A-42385-02B2	2	94V-0, BRASS	30 M.I. SEL. GOLD
15-24-7043	-04B2	4		
15-24-7063	-06B2	6		
NO E.D.P.	-08B2	8		
15-24-7103	-10B2	10		
NO E.D.P.	-12B2	12		
15-24-7143	-14B2	14		
15-24-7163	-16B2	16		
15-24-7183	-18B2	18		
NO E.D.P.	-20B2	20		
NO E.D.P.	-22B2	22		
15-24-7243	A-42385-24B2	24	94V-0, BRASS	30 M.I. SEL. GOLD
NO E.D.P.	A-42385-02D1	2	94V-0/P.B.	MATTE TIN OVER NICKEL
NO E.D.P.	-04D1	4		
NO E.D.P.	-06D1	6		
NO E.D.P.	-08D1	8		
15-24-7105	-10D1	10		
NO E.D.P.	-12D1	12		
NO E.D.P.	-14D1	14		
NO E.D.P.	-16D1	16		
NO E.D.P.	-18D1	18		
NO E.D.P.	-20D1	20		
NO E.D.P.	-22D1	22		
NO E.D.P.	A-42385-24D1	24	94V-0/P.B.	MATTE TIN OVER NICKEL
NO E.D.P.	A-42385-02D2	2	94V-0/P.B.	30 M.I. SEL. GOLD
NO E.D.P.	-04D2	4		
15-24-7067	-06D2	6		
NO E.D.P.	-08D2	8		
15-24-7107	-10D2	10		
NO E.D.P.	-12D2	12		
NO E.D.P.	-14D2	14		
NO E.D.P.	-16D2	16		
15-24-7187	-18D2	18		
NO E.D.P.	-20D2	20		
NO E.D.P.	-22D2	22		
15-24-7247	A-42385-24D2	24	94V-0/P.B.	30 M.I. SEL. GOLD

SEE SHEET 1
 EC NO: UCP2016-4771
 DRAWN: CSLAFTER 2016/06/13
 CHKD: BELLI 2016/13/06
 APPR: FSMITH 2016/07/19

QUALITY SYMBOLS

GENERAL TOLERANCES (UNLESS SPECIFIED)

	mm	INCH
4 PLACES	± .005	± .0002
3 PLACES	± .010	± .0004
2 PLACES	± .025	± .0010
1 PLACE	± .038	± .0015
0 PLACE	± .050	± .0020

ANGULAR ± 5 °

DRAFT WHERE APPLICABLE MUST REMAIN WITHIN DIMENSIONS

DIMENSION STYLE: IN/MM

SCALE: 1:1

DESIGN UNITS: METRIC

THIRD ANGLE PROJECTION

RECEPTACLE HEADER ASSY
 MINI-FIT SERIES
 BLIND MATE

molex

SDA-42385-*

SEE CHART

MATERIAL NO. _____

DOCUMENT NO. _____

SHEET NO. 3 OF 4

THIS DRAWING CONTAINS INFORMATION THAT IS PROPRIETARY TO MOLEX INCORPORATED AND SHOULD NOT BE USED WITHOUT WRITTEN PERMISSION

PART NUMBER	ENG. NUMBER	CKT. SIZE	HSG./TERM. MATERIAL	TERMINAL PLATING
NO E.D.P.	A-42385-02D4	2	94V-0/P.B.	50 M.I. SEL., GOLD
NO E.D.P.	-04D4	4		
NO E.D.P.	-06D4	6		
NO E.D.P.	-08D4	8		
NO E.D.P.	-10D4	10		
NO E.D.P.	-12D4	12		
NO E.D.P.	-14D4	14		
NO E.D.P.	-16D4	16		
NO E.D.P.	-18D4	18		
NO E.D.P.	-20D4	20		
NO E.D.P.	-22D4	22		
NO E.D.P.	A-42385-24D4	24	94V-0/P.B.	50 M.I. SEL., GOLD

PART NUMBER	ENG. NUMBER	CKT. SIZE	HSG./TERM. MATERIAL	TERMINAL PLATING
NO E.D.P.	A-42385-02C4	2	94V-2/P.B.	50 M.I. SEL., GOLD
NO E.D.P.	-04C4	4		
NO E.D.P.	-06C4	6		
NO E.D.P.	-08C4	8		
NO E.D.P.	-10C4	10		
NO E.D.P.	-12C4	12		
NO E.D.P.	-14C4	14		
NO E.D.P.	-16C4	16		
NO E.D.P.	-18C4	18		
NO E.D.P.	-20C4	20		
NO E.D.P.	-22C4	22		
NO E.D.P.	A-42385-24C4	24	94V-2/P.B.	50 M.I. SEL., GOLD

SEE SHEET 1 EC NO: UCP2016-4771 DRWNG:SLAFTR 2016/06/13 CHKD:JBELL 2016/13/06 APPR:FSMITH 2016/07/19	QUALITY SYMBOLS 	GENERAL TOLERANCES (UNLESS SPECIFIED) <table border="1"> <thead> <tr> <th></th> <th>mm</th> <th>INCH</th> </tr> </thead> <tbody> <tr><td>4 PLACES</td><td>± .010</td><td>± .0004</td></tr> <tr><td>3 PLACES</td><td>± .015</td><td>± .0005</td></tr> <tr><td>2 PLACES</td><td>± .025</td><td>± .0010</td></tr> <tr><td>1 PLACE</td><td>± 0.38</td><td>± .0150</td></tr> <tr><td>0 PLACE</td><td>±</td><td>±</td></tr> </tbody> </table>		mm	INCH	4 PLACES	± .010	± .0004	3 PLACES	± .015	± .0005	2 PLACES	± .025	± .0010	1 PLACE	± 0.38	± .0150	0 PLACE	±	±	DIMENSION STYLE IN/MM DRAWN BY DATE RJF 1988/12/09 CHECKED BY DATE JTR 1988/12/09 APPROVED BY DATE FSMITH 2010/11/22	SCALE DESIGN UNITS METRIC THIRD ANGLE PROJECTION	TITLE RECEPTACLE HEADER ASSY MINI-FIT SERIES BLIND MATE 	DOCUMENT NO. SDA-42385-* SHEET NO. 4 OF 4
		mm	INCH																					
	4 PLACES	± .010	± .0004																					
	3 PLACES	± .015	± .0005																					
	2 PLACES	± .025	± .0010																					
1 PLACE	± 0.38	± .0150																						
0 PLACE	±	±																						
DRAFT WHERE APPLICABLE MUST REMAIN WITHIN DIMENSIONS		MATERIAL NO. SEE CHART	THIS DRAWING CONTAINS INFORMATION THAT IS PROPRIETARY TO MOLEX INCORPORATED AND SHOULD NOT BE USED WITHOUT WRITTEN PERMISSION																					
ANGULAR ± 5 °		SIZE 																						

Looking for pricing, stock, or lifecycle information?

Click below to explore more details on WIN SOURCE:

 [View 15247161 on WIN SOURCE](#)

 [Molex, LLC Information](#)

Optimize Your Supply Chain with WIN SOURCE Solutions

-  Global Sourcing Solution
-  Obsolete Management
-  Cost Control Management
-  Shortage Management
-  Alternative Solution
-  Excess Inventory Management