



**THE DATASHEET OF
MASWSS0103SMB**



SPDT High Isolation CATV Switch 5 – 1000 MHz

Rev V1

Features

- 75 Ohm Impedance
- Input Terminated
- Positive Voltage Control
- High Isolation: 65 dB at 870 MHz
- 0.5 micron GaAs PHEMT Process
- Lead-Free 4 mm 20-Lead PQFN Package
- 100% Matte Tin Plating over Copper
- Halogen-Free “Green” Mold Compound
- RoHS* Compliant and 260°C Reflow Compatible

Description

M/A-COM's MASWSS0103 is a GaAs PHEMT MMIC single pole double throw (SPDT) switch in a lead-free 4 mm 20-lead PQFN package. The MASWSS0103 is ideally suited for applications where low control voltage, high isolation, small size and low cost are required.

Typical applications are to replace mechanical relays in CATV systems. This part can be used in all 75 Ω systems operating up to 1 GHz.

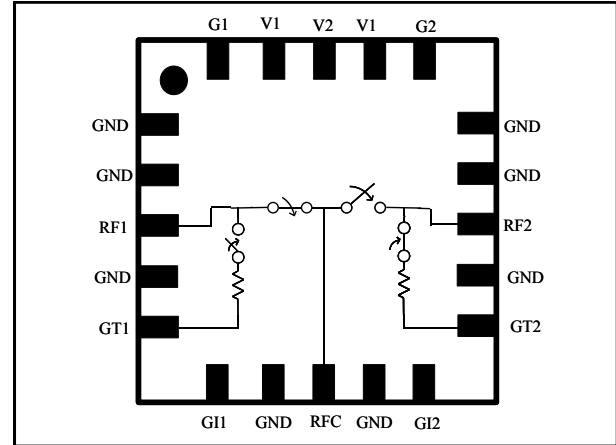
The MASWSS0103 is fabricated using a 0.5 micron gate length GaAs PHEMT process. The process features full passivation for performance and reliability.

Ordering Information

Part Number	Package
MASWSS0103TR-3000	13 inch, 3000 piece reel
MASWSS0103SMB	Sample Test Board (Includes 5 Samples)

1: Reference Application Note M513 for reel size information.

Functional Schematic



Pin Configuration ¹

Pin No.	Pin Name	Description
1	GND	Ground
2	GND	Ground
3	RF1	RF Port 1
4	GND	Ground
5	GT1	RF Ground
6	GI1	RF Ground
7	GND	Ground
8	RFC	RF Common Port
9	GND	Ground
10	GI2	RF Ground
11	GT2	RF Ground
12	GND	Ground
13	RF2	RF Port 2
14	GND	Ground
15	GND	Ground
16	G2	RF Ground
17	V1	Control 1
18	V2	Control 2
19	V1	Control 1
20	G1	RF Ground

1. The exposed pad centered on the package bottom must be connected to RF and DC ground.

* Restrictions on Hazardous Substances, European Union Directive 2002/95/EC.

SPDT High Isolation CATV Switch 5 – 1000 MHz

Rev V1

Electrical Specifications: $T_A = 25^\circ\text{C}$, $Z_0 = 75 \Omega^2$, $V_C = 0 \text{ V} / 2.9 \text{ V}$, $P_{IN} = 10 \text{ dBm}$

Parameter	Test Conditions	Units	Min.	Typ.	Max.
Insertion Loss	5 - 50 MHz	dB	—	0.75	—
	50 - 1000 MHz	dB	—	1.0	1.2
Isolation	5 - 50 MHz	dB	—	100	—
	50 - 1000 MHz	dB	60	63	—
Return Loss (On)	5 - 50 MHz	dB	—	28	—
	50 - 1000 MHz	dB	—	16	—
Return Loss (Off)	5 - 50 MHz	dB	—	26	—
	50 - 1000 MHz	dB	—	16	—
IP3	Two Tone, +15 dBm/tone, 6 MHz spacing, > 50 MHz $V_C = 0 \text{ V} / 2.9 \text{ V}$ $V_C = 0 \text{ V} / 5.0 \text{ V}$	dBm	—	47	—
		dBm	—	52	—
Trise, Tfall	10% to 90% RF, 90% to 10% RF	nS	—	8	—
Ton, Toff	50% control to 90% RF, 50% control to 10% RF	nS	—	18	—
Transients	In Band	mV	—	70	—
Control Current	$ V_C = 2.9 \text{ V}$	μA	—	5	10

2. External 0.01 μF DC blocking capacitors are required on all RF In/Out and RF ground ports. See Application Schematic.

Absolute Maximum Ratings^{3,4}

Parameter	Absolute Maximum
Input Power (5 - 1000 MHz, 2.9 V Control)	+32 dBm
Operating Voltage	+8.5 volts
Operating Temperature	-40°C to +85°C
Storage Temperature	-65°C to +150°C

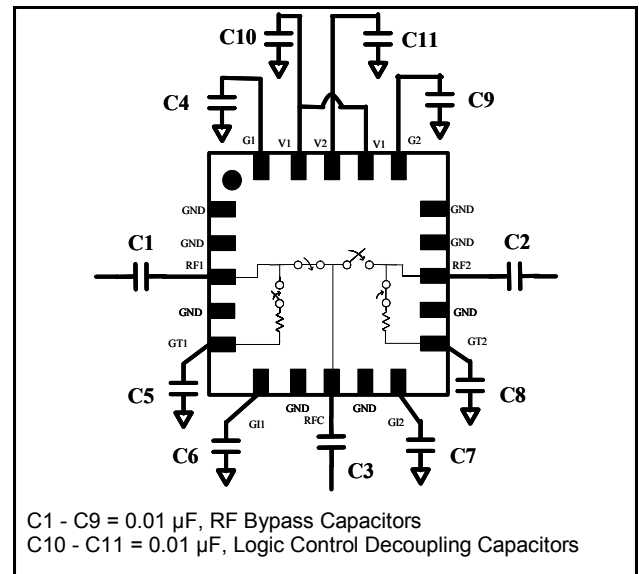
- Exceeding any one or combination of these limits may cause permanent damage.
- M/A-COM does not recommend sustained operation near these survivability limits.

Truth Table⁵

V1	V2	RFC - RF1	RFC - RF2
1	0	On	Off
0	1	Off	On

5. 1 = +2.9 to +5 V, 0 = 0 \pm 0.2 V.

Application Schematic

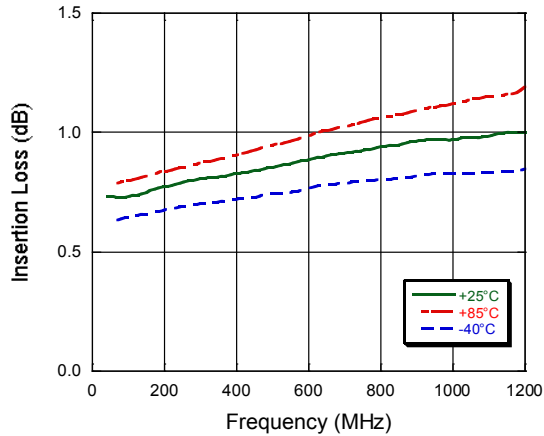


SPDT High Isolation CATV Switch 5 – 1000 MHz

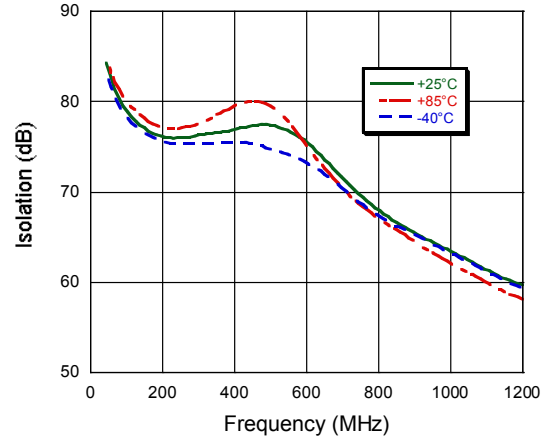
Rev V1

Typical Performance Curves

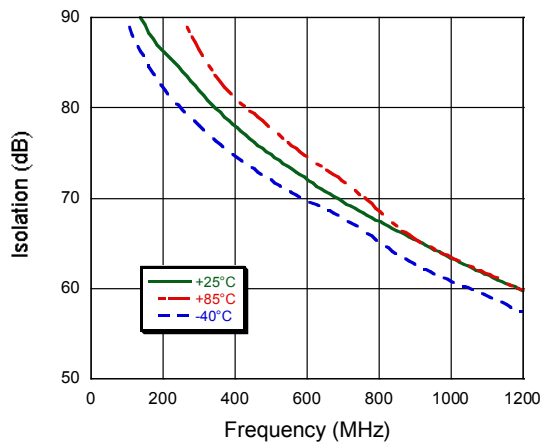
Insertion Loss



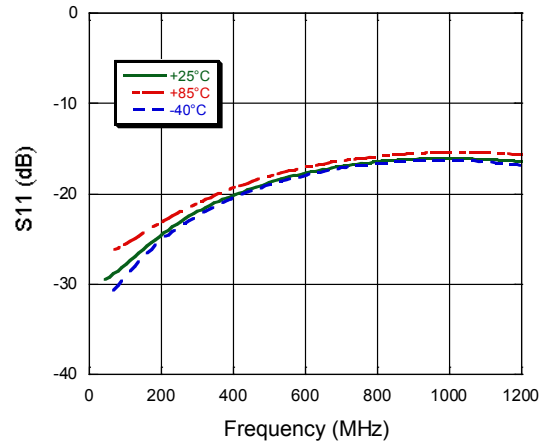
RF1 Isolation



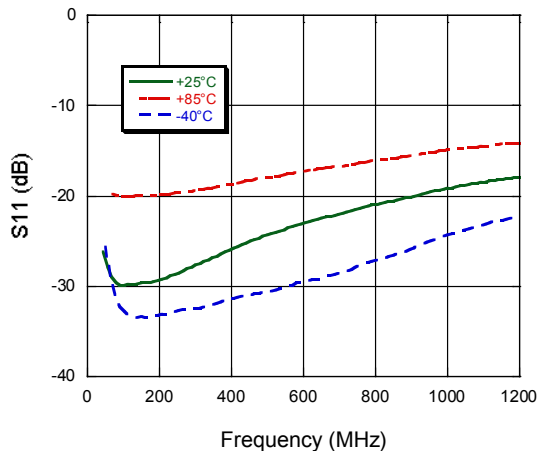
RF2 Isolation



On Return Loss



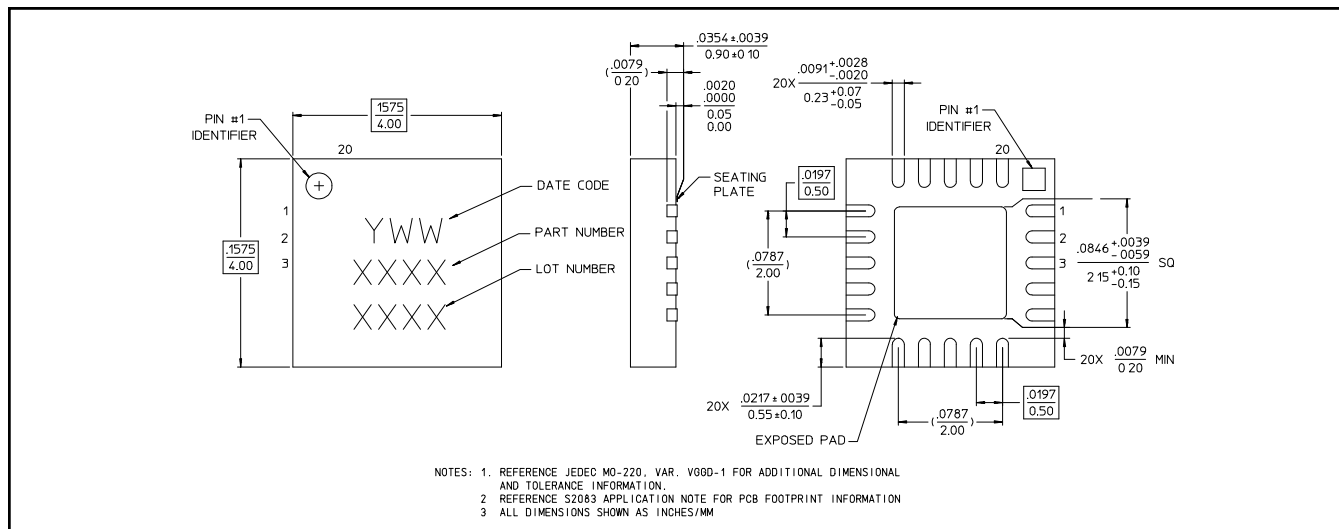
Off Return Loss



SPDT High Isolation CATV Switch 5 – 1000 MHz

Rev V1

Lead-Free 4 mm 20-Lead PQFN[†]



[†] Reference Application Note M538 for lead-free solder reflow recommendations.

Handling Procedures

Please observe the following precautions to avoid damage:

Static Sensitivity

Gallium Arsenide Integrated Circuits are sensitive to electrostatic discharge (ESD) and can be damaged by static electricity. Proper ESD control techniques should be used when handling these devices.

M/A-COM Technology Solutions Inc. All rights reserved.

Information in this document is provided in connection with M/A-COM Technology Solutions Inc ("MACOM") products. These materials are provided by MACOM as a service to its customers and may be used for informational purposes only. Except as provided in MACOM's Terms and Conditions of Sale for such products or in any separate agreement related to this document, MACOM assumes no liability whatsoever. MACOM assumes no responsibility for errors or omissions in these materials. MACOM may make changes to specifications and product descriptions at any time, without notice. MACOM makes no commitment to update the information and shall have no responsibility whatsoever for conflicts or incompatibilities arising from future changes to its specifications and product descriptions. No license, express or implied, by estoppel or otherwise, to any intellectual property rights is granted by this document.

THESE MATERIALS ARE PROVIDED "AS IS" WITHOUT WARRANTY OF ANY KIND, EITHER EXPRESS OR IMPLIED, RELATING TO SALE AND/OR USE OF MACOM PRODUCTS INCLUDING LIABILITY OR WARRANTIES RELATING TO FITNESS FOR A PARTICULAR PURPOSE, CONSEQUENTIAL OR INCIDENTAL DAMAGES, MERCHANTABILITY, OR INFRINGEMENT OF ANY PATENT, COPYRIGHT OR OTHER INTELLECTUAL PROPERTY RIGHT. MACOM FURTHER DOES NOT WARRANT THE ACCURACY OR COMPLETENESS OF THE INFORMATION, TEXT, GRAPHICS OR OTHER ITEMS CONTAINED WITHIN THESE MATERIALS. MACOM SHALL NOT BE LIABLE FOR ANY SPECIAL, INDIRECT, INCIDENTAL, OR CONSEQUENTIAL DAMAGES, INCLUDING WITHOUT LIMITATION, LOST REVENUES OR LOST PROFITS, WHICH MAY RESULT FROM THE USE OF THESE MATERIALS.

MACOM products are not intended for use in medical, lifesaving or life sustaining applications. MACOM customers using or selling MACOM products for use in such applications do so at their own risk and agree to fully indemnify MACOM for any damages resulting from such improper use or sale.

Looking for pricing, stock, or lifecycle information?

Click below to explore more details on WIN SOURCE:

- ⊖ [View MASWSS0103SMB on WIN SOURCE](#)
- ⊖ [M/A-Com Technology Solutions Information](#)

Optimize Your Supply Chain with WIN SOURCE Solutions

- ✓ Global Sourcing Solution
- ✓ Obsolete Management
- ✓ Cost Control Management
- ✓ Shortage Management
- ✓ Alternative Solution
- ✓ Excess Inventory Management