



**THE DATASHEET OF  
M80-0110005**



# Customer Information

# S

DRAWING No.: M80-01100XX

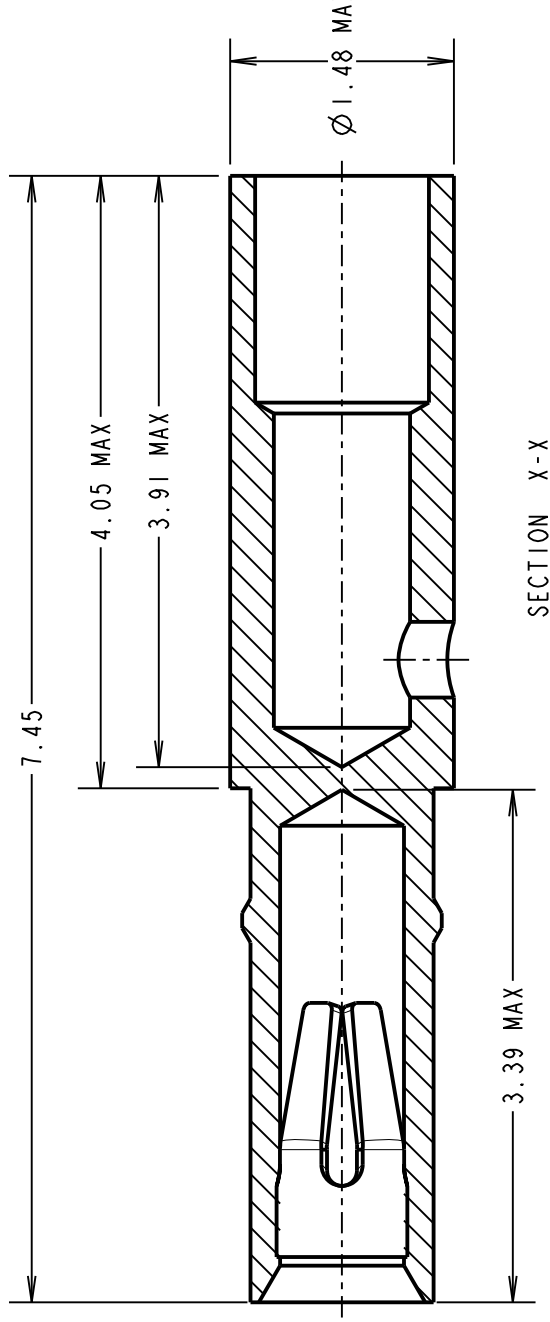
SHEET 2 OF 2

IF IN DOUBT - ASK

(C)

NOT TO SCALE

THIRD ANGLE PLOT



SECTION X-X

**SPECIFICATION:**

MATERIAL: CONTACT SHELL = BRASS  
 CONTACT CLIP = BERYLLIUM COPPER  
 FINISH:  
 01 = 3-5 - 5.0 $\mu$  100% TIN OVER NICKEL SHELL, 0.3 $\mu$  GOLD CLIP  
 05 = 0.28 $\mu$  GOLD SHELL, 0.3 $\mu$  GOLD CLIP  
 MECHANICAL:  
 INSERTION FORCE = 2.8N MAX, 1.0N MIN  
 WITHDRAWAL FORCE = 1.8N MAX, 0.2N MIN  
 DURABILITY = 500 OPERATIONS  
 ENVIRONMENTAL:  
 OPERATING TEMPERATURE = -55°C TO +125°C  
 PACKING:  
 BULK

FOR COMPLETE CONNECTOR SPECIFICATION, SEE COMPONENT SPECIFICATION C005XX (LATEST ISSUE)

**NOTES:**

- SUITABLE FOR WIRE GAUGE 22 AWG. MAXIMUM DIAMETER  $\varnothing 1.10$ mm, BS3G210 TYPE A WIRE RE STRIP WIRE BY 2.00mm FOR CRIMPING.
- RECOMMENDED CRIMP TOOL = M22520/2-01, POS
- FOR INSTRUCTIONS ON HAND CRIMP TOOL M22522 INSTRUCTION SHEET IS-01.
- RECOMMENDED MATING PIN SIZE =  $\varnothing 0.51-0.46$ mm

## HARWIN

HARWIN USA  
 TEL: 603 893 5376  
 FAX: 603 893 5396  
 mis@harwin.com

HARWIN Europe (UK)  
 TEL: 023 9231 4545  
 FAX: 023 9231 4590  
 mis@harwin.co.uk

HARWIN Asia  
 TEL: +65 6 779 4909  
 FAX: +65 6 779 3868  
 mis@harwin.com.sg

THIS DRAWING AND ANY INFORMATION OR DESCRIPTIVE MATTER SET OUT HEREON ARE CONFIDENTIAL AND COPYRIGHT PROPERTY OF THE HARWIN GROUP AND MUST NOT BE DISCLOSED, LOANED, COPIED OR USED FOR MANUFACTURING, TENDERING OR FOR ANY OTHER PURPOSE WITHOUT THEIR WRITTEN PERMISSION.

**TOLERANCES**

X. =  $\pm 1$ mm  
 X.X =  $\pm 0.25$ mm  
 X.XX =  $\pm 0.10$ mm  
 X.XXX =  $\pm 0.01$ mm  
 ANGLES =  $\pm 5^\circ$   
 UNLESS STATED

**MATERIAL:**

SEE ABOVE

**FINISH:**



SEE ABOVE

**S/AREA:**

mm<sup>2</sup>

## Looking for pricing, stock, or lifecycle information?

Click below to explore more details on WIN SOURCE:

-  [View M80-0110005 on WIN SOURCE](#)
-  [Harwin Inc. Information](#)

## Optimize Your Supply Chain with WIN SOURCE Solutions

-  Global Sourcing Solution
-  Obsolete Management
-  Cost Control Management
-  Shortage Management
-  Alternative Solution
-  Excess Inventory Management