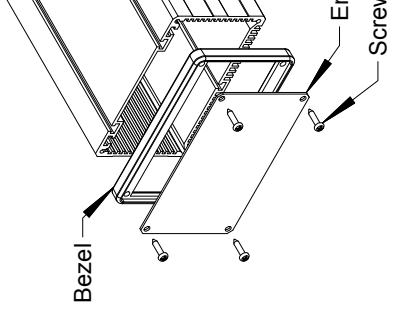
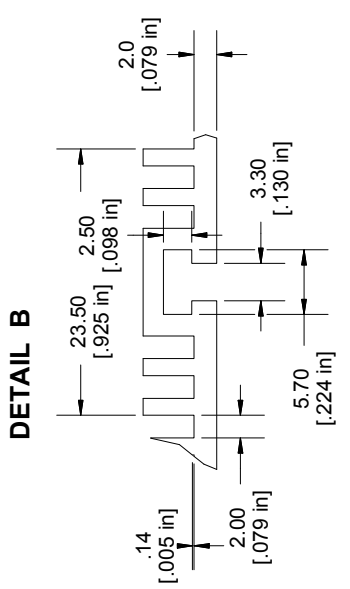
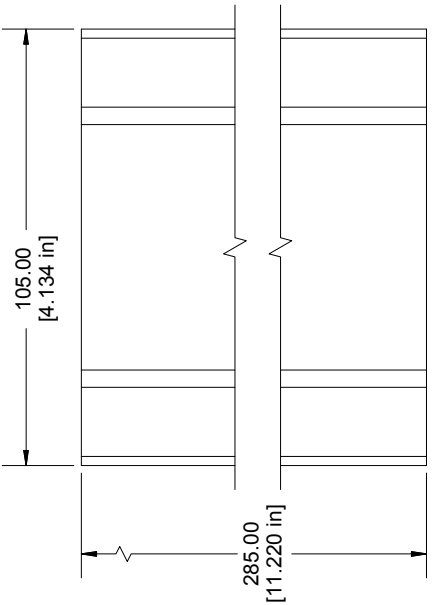
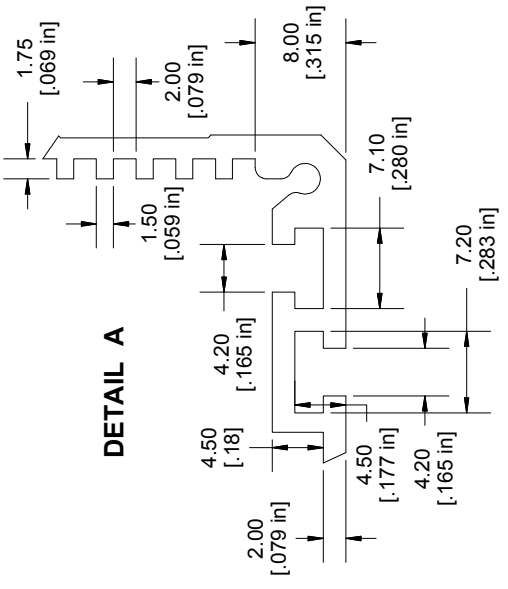
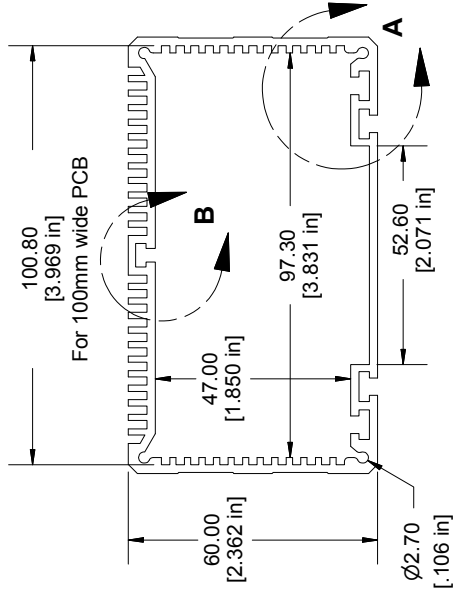




**THE DATASHEET OF**  
**431623**

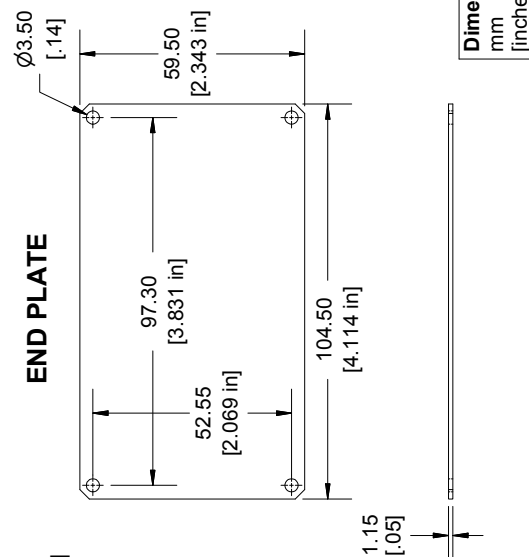
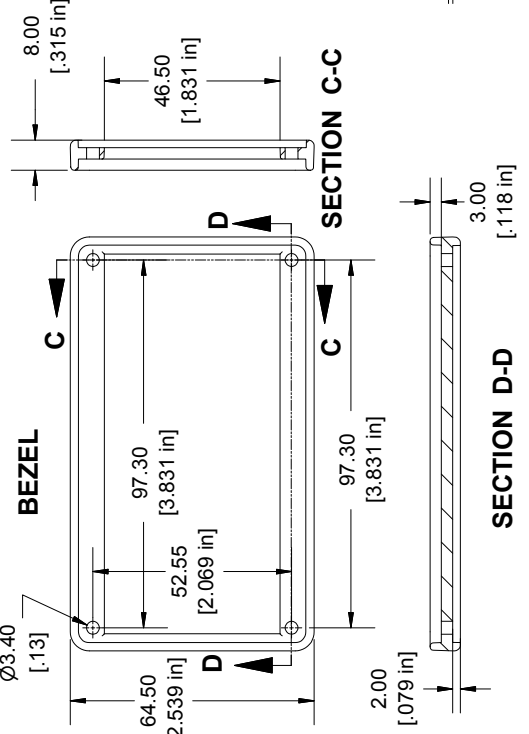




Enclosures can be purchased from our Contact Factory Solid models of this part number and text placed here do not recommend using

Purchased assembly in Recommended Cover

Extrusion Aluminum
Extrusion Aluminum
End Plate Aluminum
End Plate Aluminum





Dimensions:  
mm  
[inches]

SECTION D-D

## Looking for pricing, stock, or lifecycle information?

Click below to explore more details on WIN SOURCE:

-  [View 431623 on WIN SOURCE](#)
-  [Hammond Manufacturing Information](#)

## Optimize Your Supply Chain with WIN SOURCE Solutions

-  Global Sourcing Solution
-  Obsolete Management
-  Cost Control Management
-  Shortage Management
-  Alternative Solution
-  Excess Inventory Management