



**THE DATASHEET OF
CU-1470-MB**



PART NAME UTILIBOX (STYLE H)

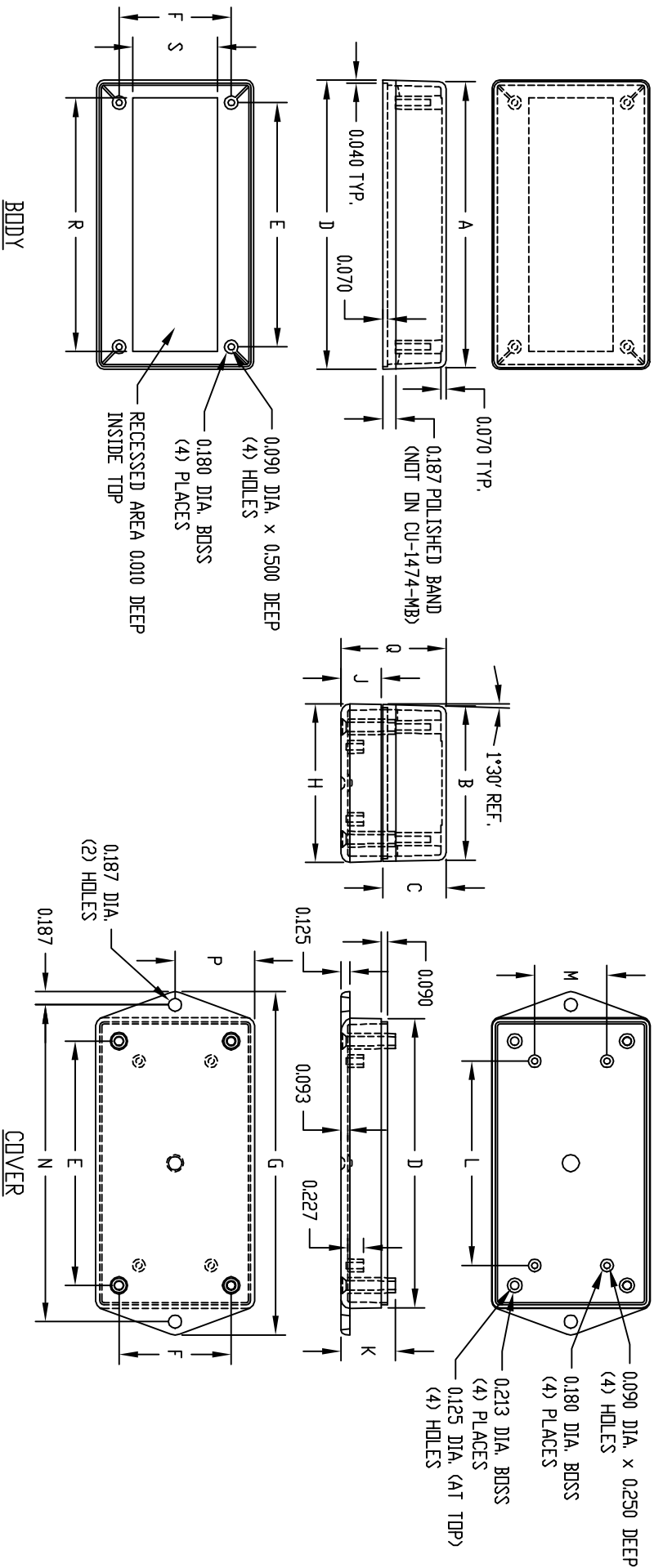
PART No. CU-1470-MB TO CU-1474-MB

MATERIAL: ABS THERMOPLASTIC (FLAMMABILITY RATING OF 94-V0 AT 0.070" THICKNESS AND CONTINUOUS USE TEMPERATURE OF 70° C.)

FINISH:
 BODY - OUTSIDE SURFACES ARE TEXTURED FINISH
 COVER - VERTICAL OUTSIDE SURFACES ARE TEXTURED
 REMAINDER OF PART IS SMOOTH.

LENGTH AND WIDTH DIMENSIONS ARE TAKEN FROM CLOSED END OF THE BOX. DIMENSIONS INCREASE SLIGHTLY AT OPEN END DUE TO TAPER.
 NOTE: ALL DIMENSIONS HAVE ±0.010 TOLERANCE UNLESS OTHERWISE SPECIFIED.

COLOR: BLACK



PART No.	A	B	C	D	E	F	G	H	J	K	L	M	N	P	Q	R	S
CU-1470-MB	3.000	2.000	0.900	3.079	2.616	1.616	3.875	2.102	0.570	0.770	2.080	1.080	3.500	1.051	1.490	---	---
CU-1471-MB	3.000	2.000	0.900	3.079	2.616	1.616	3.875	2.102	0.570	0.770	2.080	1.080	3.500	1.051	2.090	---	---
CU-1472-MB	3.000	3.000	1.500	3.079	2.616	2.616	3.875	3.102	0.570	0.770	2.125	2.125	3.500	1.551	2.090	---	---
CU-1473-MB	4.000	1.750	1.000	4.052	3.589	1.339	4.875	1.809	0.250	0.450	3.088	0.828	4.500	0.904	1.270	---	---
CU-1474-MB	4.000	2.188	0.900	4.105	3.469	1.594	4.875	2.253	0.570	0.740	2.902	1.026	4.500	1.127	1.490	3.603	1.200

Looking for pricing, stock, or lifecycle information?

Click below to explore more details on WIN SOURCE:

 [View CU-1470-MB](#) on WIN SOURCE

 [Bud Industries](#) Information

Optimize Your Supply Chain with WIN SOURCE Solutions

-  Global Sourcing Solution
-  Obsolete Management
-  Cost Control Management
-  Shortage Management
-  Alternative Solution
-  Excess Inventory Management