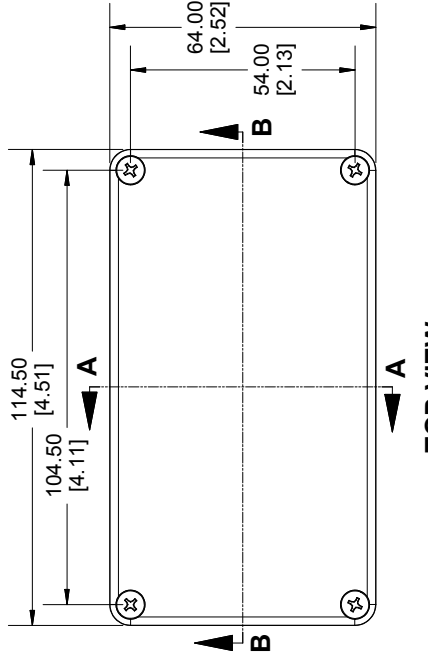


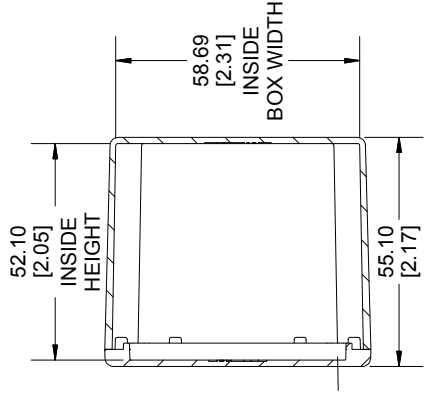


**THE DATASHEET OF  
1550DBK**

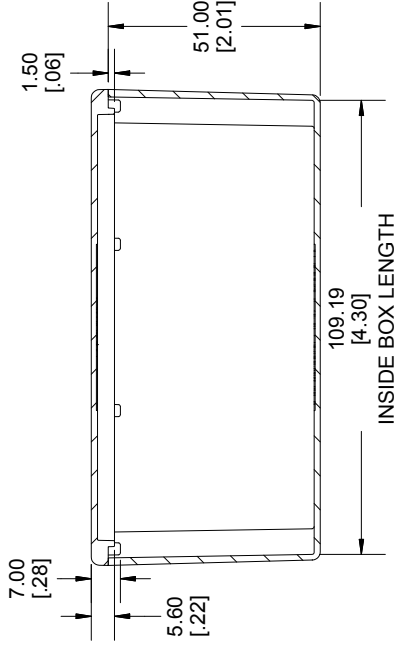




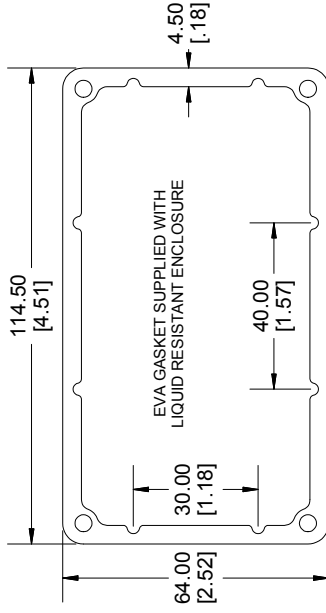
**TOP VIEW**



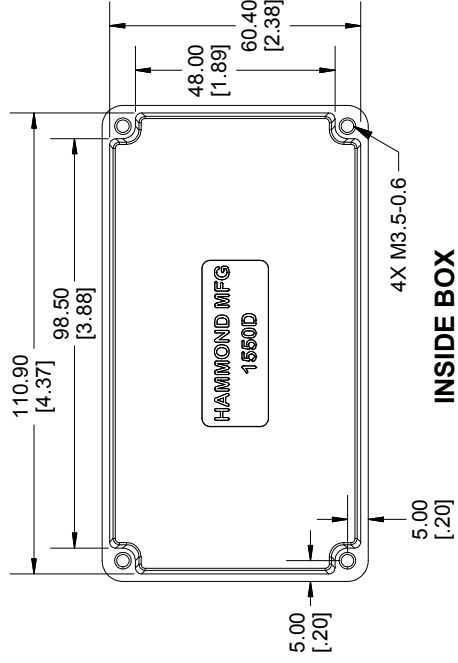
**SECTION A-A  
END VIEW**



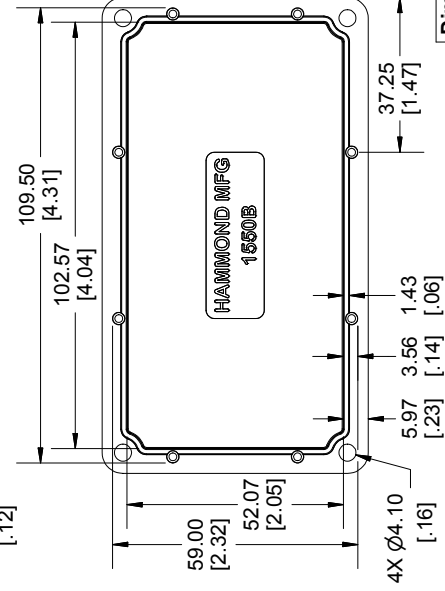
**SECTION B-B  
SIDE VIEW**



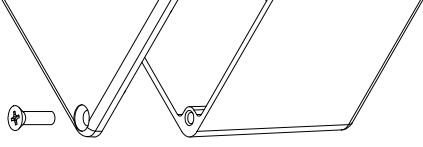
**INSIDE LID**



**INSIDE BOX**



**Dimensions:  
mm  
[inches]**



Enclosures can be  
Contact Factory  
Solid models of this

Purchased assembly  
Box and lid are made  
EVA Gasket supplied

Natural F
Black Text
<b>1550D Liquid Resistant</b>
Natural F
Black Text

**Recommendations:**



Plated Cover  
[M3.5-0.6]  
Black Cover  
[M3.5-0.6]

**Liquid Resistant Enclosure:**  
Stainless Steel Cover  
[M3.5 x 12]  
Black Stainless Steel Cover  
[M3.5 x 12]  
EVA Pre-former  
Silicone Pre-former



## Looking for pricing, stock, or lifecycle information?

Click below to explore more details on WIN SOURCE:

-  [View 1550DBK on WIN SOURCE](#)
-  [Hammond Manufacturing Information](#)

## Optimize Your Supply Chain with WIN SOURCE Solutions

-  Global Sourcing Solution
-  Obsolete Management
-  Cost Control Management
-  Shortage Management
-  Alternative Solution
-  Excess Inventory Management