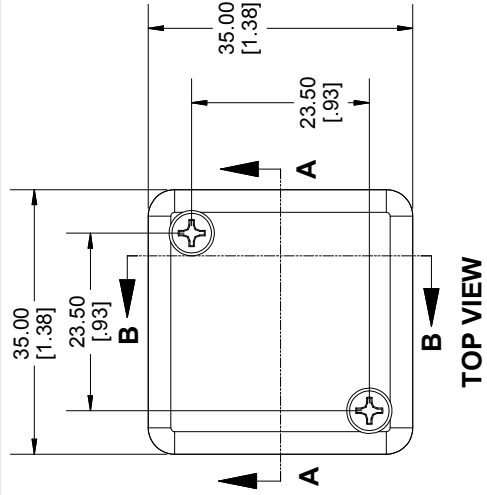


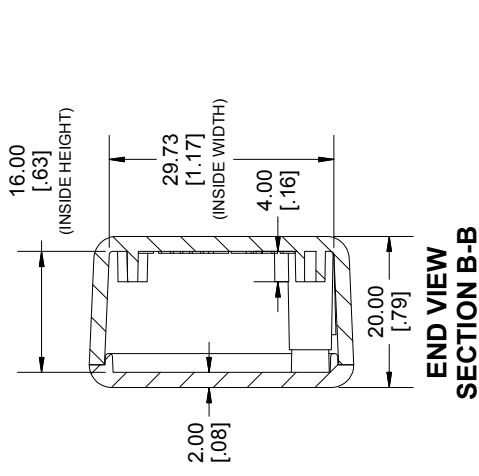


**THE DATASHEET OF  
1551MTBU**

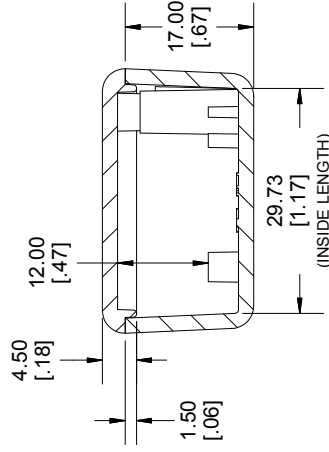




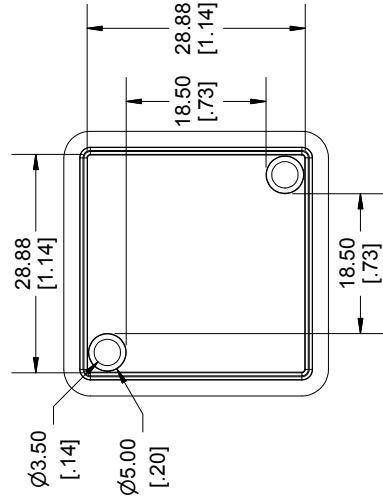
**TOP VIEW**



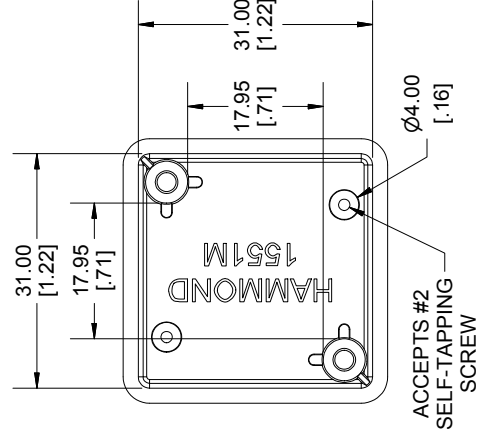
**END VIEW SECTION B-B**



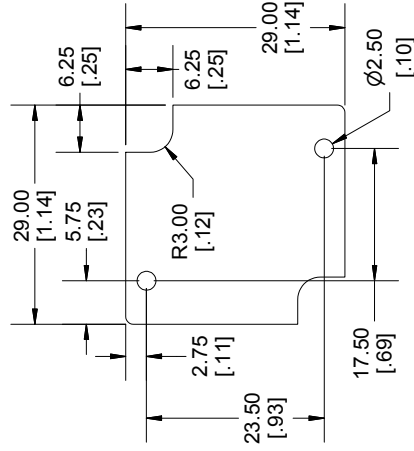
**SIDE VIEW SECTION A-A**



**INSIDE LID**

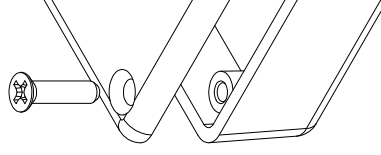


**INSIDE BOX**



**MAXIMUM P.C. BOARD SIZE**

**Dimensions:**  
mm  
[inches]



Enclosures can be purchased from  
Contact Factory  
Solid models of the enclosure  
(Part number and text printed on enclosure)  
we do not recommend using other materials / colours

Purchased assembly inc  
Enclosure molded from gray  
Other materials / colours



**Recommendations:**

- Black Enclosure - RAL
- Gray Enclosure - RAL
- Translucent Blue
- Black Cover Screws #4
- Plated Cover Screws #4
- P. C. Board
- #2 x 3/16" self-tap



## Looking for pricing, stock, or lifecycle information?

Click below to explore more details on WIN SOURCE:

-  [View 1551MTBU on WIN SOURCE](#)
-  [Hammond Manufacturing Information](#)

## Optimize Your Supply Chain with WIN SOURCE Solutions

-  Global Sourcing Solution
-  Obsolete Management
-  Cost Control Management
-  Shortage Management
-  Alternative Solution
-  Excess Inventory Management