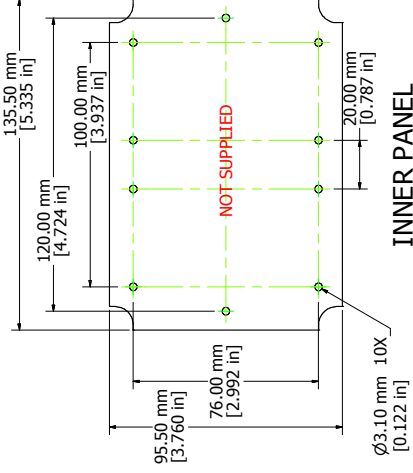
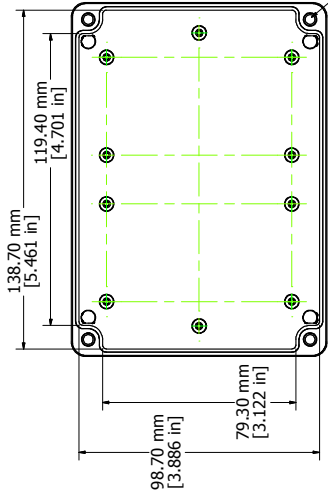
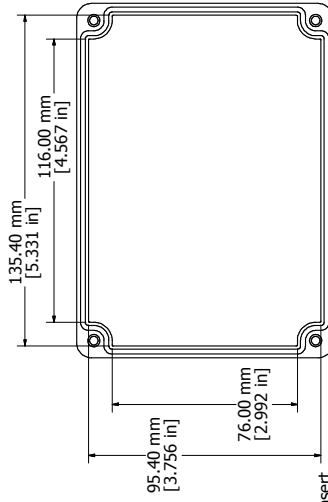
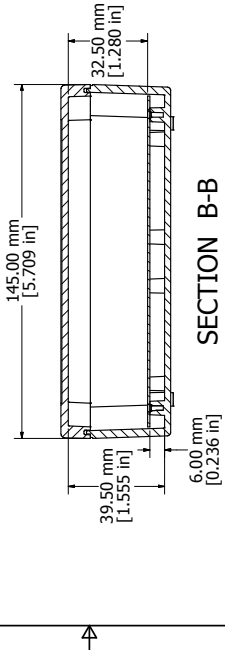


**SECTION A-A**



**SECTION B-B**



M3.5 Stainless Steel Lid Insert  
Type 304 Stainless 4X



Enclosures can be Fac  
Contact Factory mj@m  
Solid models of this en

- Material: ABS (U
- Lid Screws: M3.
- Gasket: EDPM
- Circuit Board Sc
- Suggested Lid S



## Looking for pricing, stock, or lifecycle information?

Click below to explore more details on WIN SOURCE:

-  [View RP1205 on WIN SOURCE](#)
-  [Hammond Manufacturing Information](#)

## Optimize Your Supply Chain with WIN SOURCE Solutions

-  Global Sourcing Solution
-  Obsolete Management
-  Cost Control Management
-  Shortage Management
-  Alternative Solution
-  Excess Inventory Management