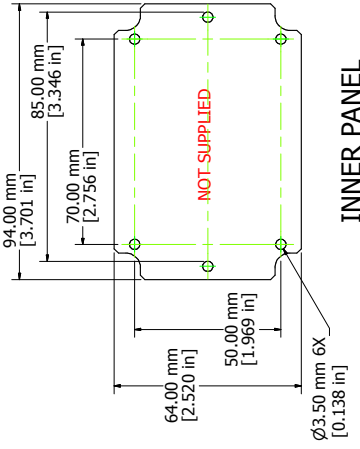
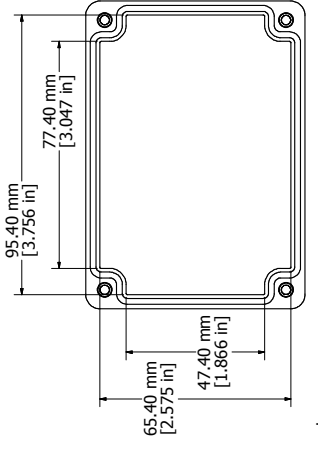


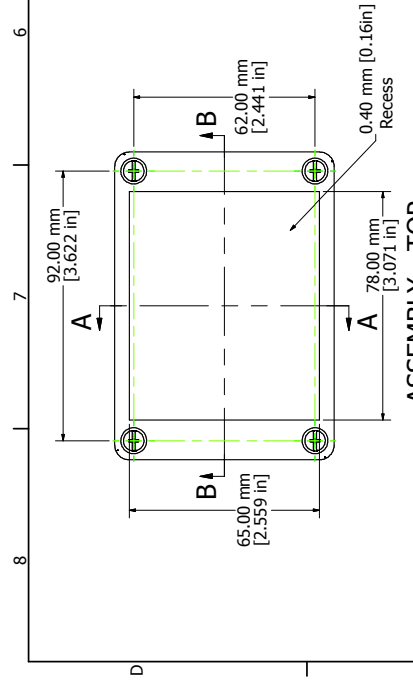
SECTION A-A



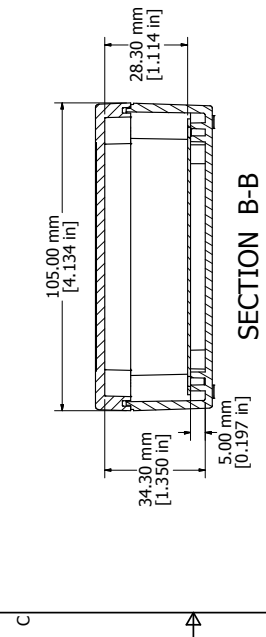
INNER PANEL



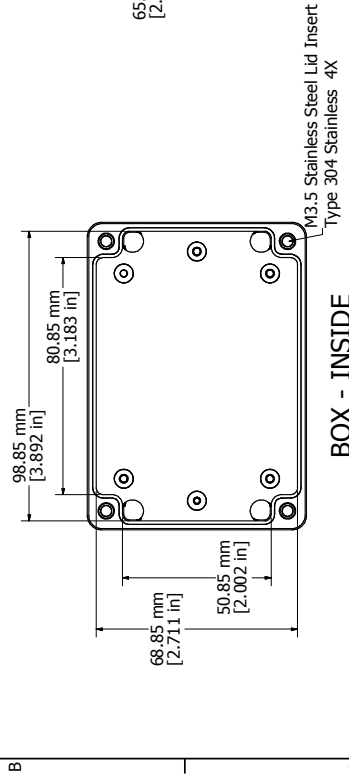
LID - INSIDE



ASSEMBLY - TOP



SECTION B-B



BOX - INSIDE



Enclosures can be Fac
Contact Factory mj@m
Solid models of this en

Material: ABS (U
Lid Screws: M3.
Gasket: EDPM
Circuit Board Sc
Suggested Lid S



Looking for pricing, stock, or lifecycle information?

Click below to explore more details on WIN SOURCE:

-  [View RP1085 on WIN SOURCE](#)
-  [Hammond Manufacturing Information](#)

Optimize Your Supply Chain with WIN SOURCE Solutions

-  Global Sourcing Solution
-  Obsolete Management
-  Cost Control Management
-  Shortage Management
-  Alternative Solution
-  Excess Inventory Management