

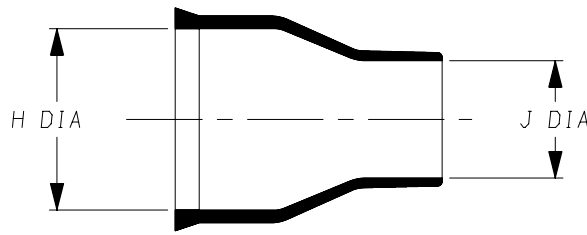


**THE DATASHEET OF
203W301-12-G02-0**

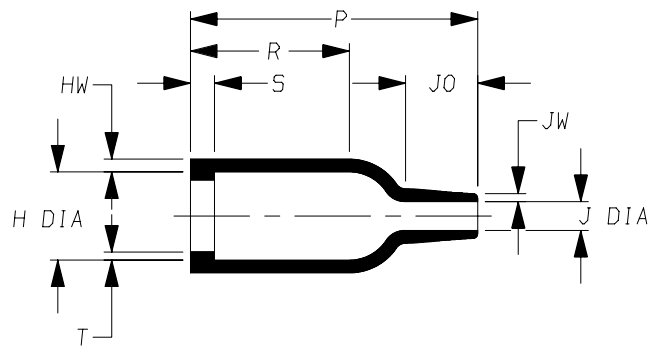


a) Part as supplied.

203W301-12-G02



b) Part after unrestricted recovery.



DIMENSIONS in millimetres
(in inches, for reference)

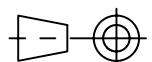
Part No.	H		J		P	R	S	T	JO	HW	JW
	Min	Max	Min	Max	±10%	±10%	±10%	±10%	±10%	±20%	±20%
	a	b	a	b	b	b	b	b	b	b	b
203W301-12-G02	10 (0.39)	5.8 (0.23)	6.0 (0.24)	2.2 (0.09)	19 [0.75]	11 [0.43]	1.5 (0.06)	0.5 (0.02)	4.5 (0.18)	0.8 (0.03)	0.5 (0.02)
			#		#	#	#				

This is a trimmed and expanded variant
Modified dimensions are shown thus:- #

Copyright (!)

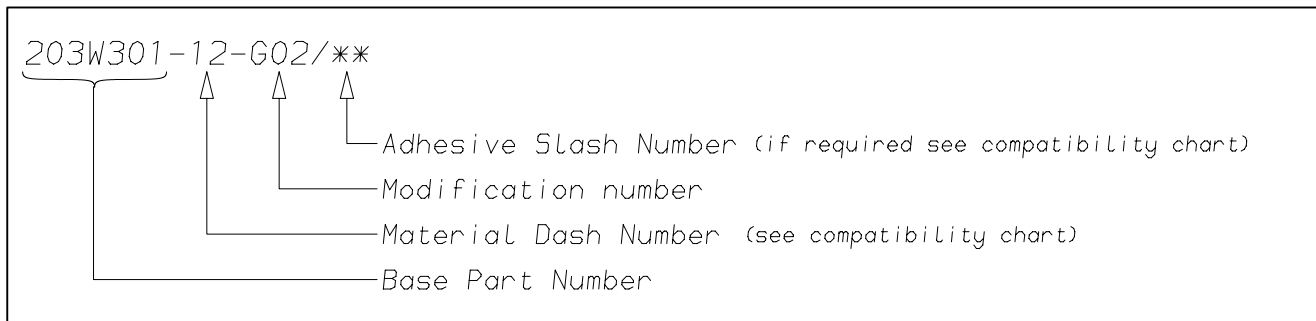
The copyright in this drawing is the property of Tyco Electronics UK Ltd. The drawing is issued on the condition that it is not copied, reproduced or disclosed to a third party, either in whole or in part without the prior written consent of Tyco Electronics UK Ltd.

Drawn A.LILLEY. Checked Issue 1 Date December 2007 Conforms to ISO Recommendations
Approval Design MKTG. Tech. 3rd Angle Projection Not to Scale



Raychem		Specification Control Drawing	Part Number 203W301-12-G02	Issue 1
Iss.	Date	E.C.R. No.	Details of Change	

(Ordering Information)





(COMPATIBILITY CHART)

Material Dash Number	Material Description	SPEC Number	Coating Slash Number
-12	FLUOROELASTOMER, FLEXIBLE	RT-1312	

Tyco electronics UK Ltd. Faraday Road, Swindon, Wiltshire, SN3 5HH England Telephone: (01793) 528171 Fax: 572516	Tyco electronics Corporation 300, Constitution Drive, Menlo Park, CA 94025 USA Telephone (650) 361-3860 Fax: (650) 361-5579
Cage Code K1010	Cage Code 06090

Looking for pricing, stock, or lifecycle information?

Click below to explore more details on WIN SOURCE:

-  [View 203W301-12-G02-0 on WIN SOURCE](#)
-  [TE Connectivity Information](#)

Optimize Your Supply Chain with WIN SOURCE Solutions

-  Global Sourcing Solution
-  Obsolete Management
-  Cost Control Management
-  Shortage Management
-  Alternative Solution
-  Excess Inventory Management