



**THE DATASHEET OF
LTC6930IMS8-7.37#TRPBF**



FEATURES

- Frequency Error <0.09% Max at 25°C
- Start-Up Time <110 μ s at All Frequencies
- 1.7V to 5.5V Single Supply Operation
- 105 μ A Typical Supply Current at 32kHz, $V^+ = 3V$
- 490 μ A Typical Supply Current at 8MHz, $V^+ = 3V$
- Typical RMS Period Jitter <0.15% at $V^+ = 3V$
- No External Components to Set Frequency
- 5 Options Cover 32.768kHz to 8.192MHz:
 - LTC6930-4.19: 4.194304MHz \div N
 - LTC6930-5.00: 5.000000MHz \div N
 - LTC6930-7.37: 7.372800MHz \div N
 - LTC6930-8.00: 8.000000MHz \div N
 - LTC6930-8.19: 8.192000MHz \div N
 Where N = 1, 2, 4, 8, 16, 32, 64, 128
 (N Determined by State of DIVA, DIVB, DIVC Pins)
- -55°C to 125°C Operating Temperature Range
- Tiny 2mm \times 3mm DFN or MS8 Package

APPLICATIONS

- Digitally Controlled Oscillator
- Microprocessor Clock
- Power Supply Clock
- Portable and Battery Operated Devices

DESCRIPTION

The LTC[®]6930 series is a family of very low power precision silicon oscillators with a frequency error less than 0.09%. For each oscillator, the user can select one of 8 frequencies between 32.768kHz and 8.192MHz. Based on a fixed master oscillator frequency, internal frequency dividers between 1 and 128 provide the 8 different frequencies. The LTC6930 requires no external components other than power supply bypass capacitors. Requiring only a single 1.7V to 5.5V supply enables operation from a single Li-Ion cell or 2 AA alkaline cells.

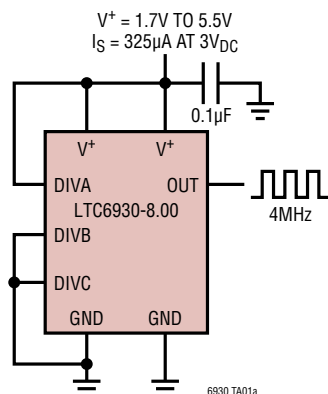
The LTC6930 features a proprietary control architecture that allows for ultralow power operation while maintaining industry leading accuracy and jitter specifications. The exceptionally fast start-up time, combined with the low power consumption, is ideal for battery operated applications with frequent power-up cycles.

Any frequency from 32.768kHz to 8.192MHz can be provided by the factory. Minimum order sizes apply for custom frequencies. Please consult LTC Marketing for details.

LT, LT, LTC, LTM, Linear Technology and the Linear logo are registered trademarks and ThinSOT is a trademark of Linear Technology Corporation. All other trademarks are the property of their respective owners. Protected by U.S. Patents, including 6342817, 6614313.

TYPICAL APPLICATION

4MHz Micropower Clock Generator



Typical Frequency Error Distribution



LTC6930-X.XX

ABSOLUTE MAXIMUM RATINGS

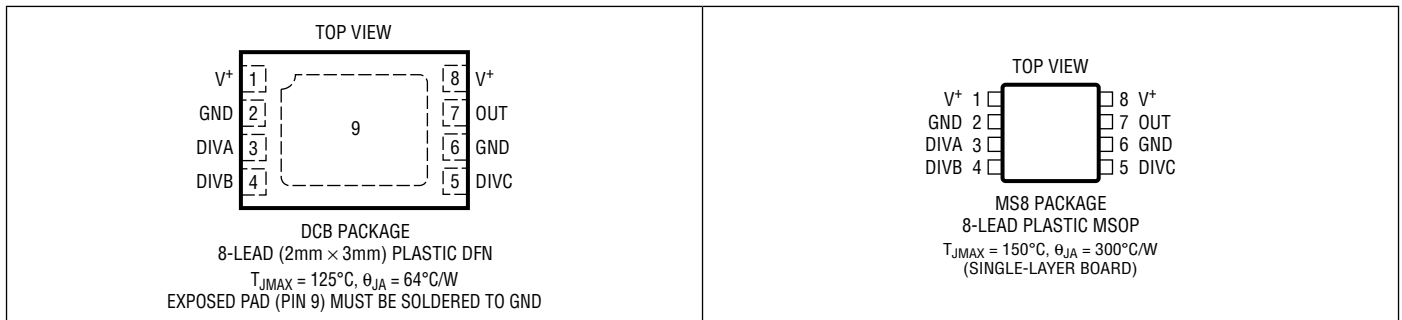
(Note 1)

| | |
|---|--------------------------------|
| Total Supply Voltage (V ⁺ to GND) | -0.3V to 6V |
| Any Input Pin to GND (DIV Pins) | -0.3V to V ⁺ + 0.3V |
| Operating Temperature Range (Note 2) | |
| LTC6930C | -40°C to 85°C |
| LTC6930I | -40°C to 85°C |
| LTC6930H | -40°C to 125°C |
| LT6930MP | -55°C to 125°C |

Specified Temperature Range (Note 3)

| | |
|--|----------------|
| LTC6930C | 0°C to 70°C |
| LTC6930I | -40°C to 85°C |
| LTC6930H | -40°C to 125°C |
| LT6930MP | -55°C to 125°C |
| Storage Temperature Range | -65°C to 150°C |
| Lead Temperature (Soldering, 10 sec) | 300°C |

PIN CONFIGURATION



ORDER INFORMATION

Lead Free Finish

| TAPE AND REEL (MINI) | TAPE AND REEL | PART MARKING* | PACKAGE DESCRIPTION | TEMPERATURE RANGE |
|-------------------------|------------------------|---------------|--------------------------------|-------------------|
| LTC6930CDCB-4.19#TRMPBF | LTC6930CDCB-4.19#TRPBF | LCKT | 8-Lead (2mm × 3mm) Plastic DFN | 0°C to 70°C |
| LTC6930IDCB-4.19#TRMPBF | LTC6930IDCB-4.19#TRPBF | LCKT | 8-Lead (2mm × 3mm) Plastic DFN | -40°C to 85°C |
| LTC6930HDCB-4.19#TRMPBF | LTC6930HDCB-4.19#TRPBF | LCKT | 8-Lead (2mm × 3mm) Plastic DFN | -40°C to 125°C |
| LTC6930CDCB-5.00#TRMPBF | LTC6930CDCB-5.00#TRPBF | LCKV | 8-Lead (2mm × 3mm) Plastic DFN | 0°C to 70°C |
| LTC6930IDCB-5.00#TRMPBF | LTC6930IDCB-5.00#TRPBF | LCKV | 8-Lead (2mm × 3mm) Plastic DFN | -40°C to 85°C |
| LTC6930HDCB-5.00#TRMPBF | LTC6930HDCB-5.00#TRPBF | LCKV | 8-Lead (2mm × 3mm) Plastic DFN | -40°C to 125°C |
| LTC6930CDCB-7.37#TRMPBF | LTC6930CDCB-7.37#TRPBF | LCKW | 8-Lead (2mm × 3mm) Plastic DFN | 0°C to 70°C |
| LTC6930IDCB-7.37#TRMPBF | LTC6930IDCB-7.37#TRPBF | LCKW | 8-Lead (2mm × 3mm) Plastic DFN | -40°C to 85°C |
| LTC6930HDCB-7.37#TRMPBF | LTC6930HDCB-7.37#TRPBF | LCKW | 8-Lead (2mm × 3mm) Plastic DFN | -40°C to 125°C |
| LTC6930CDCB-8.00#TRMPBF | LTC6930CDCB-8.00#TRPBF | LCKX | 8-Lead (2mm × 3mm) Plastic DFN | 0°C to 70°C |
| LTC6930IDCB-8.00#TRMPBF | LTC6930IDCB-8.00#TRPBF | LCKX | 8-Lead (2mm × 3mm) Plastic DFN | -40°C to 85°C |
| LTC6930HDCB-8.00#TRMPBF | LTC6930HDCB-8.00#TRPBF | LCKX | 8-Lead (2mm × 3mm) Plastic DFN | -40°C to 125°C |
| LTC6930CDCB-8.19#TRMPBF | LTC6930CDCB-8.19#TRPBF | LCKY | 8-Lead (2mm × 3mm) Plastic DFN | 0°C to 70°C |
| LTC6930IDCB-8.19#TRMPBF | LTC6930IDCB-8.19#TRPBF | LCKY | 8-Lead (2mm × 3mm) Plastic DFN | -40°C to 85°C |
| LTC6930HDCB-8.19#TRMPBF | LTC6930HDCB-8.19#TRPBF | LCKY | 8-Lead (2mm × 3mm) Plastic DFN | -40°C to 125°C |

TRM = 500 pieces.

6930fe

ORDER INFORMATION

| LEAD FREE FINISH | TAPE AND REEL | PART MARKING* | PACKAGE DESCRIPTION | TEMPERATURE RANGE |
|-----------------------|-------------------------|---------------|---------------------|-------------------|
| LTC6930CMS8-4.19#PBF | LTC6930CMS8-4.19#TRPBF | LTCKZ | 8-Lead Plastic MSOP | 0°C to 70°C |
| LTC6930IMS8-4.19#PBF | LTC6930IMS8-4.19#TRPBF | LTCKZ | 8-Lead Plastic MSOP | -40°C to 85°C |
| LTC6930HMS8-4.19#PBF | LTC6930HMS8-4.19#TRPBF | LTCKZ | 8-Lead Plastic MSOP | -40°C to 125°C |
| LTC6930MPMS8-4.19#PBF | LTC6930MPMS8-4.19#TRPBF | LTCKZ | 8-Lead Plastic MSOP | -55°C to 125°C |
| LTC6930CMS8-5.00#PBF | LTC6930CMS8-5.00#TRPBF | LTCLB | 8-Lead Plastic MSOP | 0°C to 70°C |
| LTC6930IMS8-5.00#PBF | LTC6930IMS8-5.00#TRPBF | LTCLB | 8-Lead Plastic MSOP | -40°C to 85°C |
| LTC6930HMS8-5.00#PBF | LTC6930HMS8-5.00#TRPBF | LTCLB | 8-Lead Plastic MSOP | -40°C to 125°C |
| LTC6930MPMS8-5.00#PBF | LTC6930MPMS8-5.00#TRPBF | LTCLB | 8-Lead Plastic MSOP | -55°C to 125°C |
| LTC6930CMS8-7.37#PBF | LTC6930CMS8-7.37#TRPBF | LTCLC | 8-Lead Plastic MSOP | 0°C to 70°C |
| LTC6930IMS8-7.37#PBF | LTC6930IMS8-7.37#TRPBF | LTCLC | 8-Lead Plastic MSOP | -40°C to 85°C |
| LTC6930HMS8-7.37#PBF | LTC6930HMS8-7.37#TRPBF | LTCLC | 8-Lead Plastic MSOP | -40°C to 125°C |
| LTC6930MPMS8-7.37#PBF | LTC6930MPMS8-7.37#TRPBF | LTCLC | 8-Lead Plastic MSOP | -55°C to 125°C |
| LTC6930CMS8-8.00#PBF | LTC6930CMS8-8.00#TRPBF | LTCLD | 8-Lead Plastic MSOP | 0°C to 70°C |
| LTC6930IMS8-8.00#PBF | LTC6930IMS8-8.00#TRPBF | LTCLD | 8-Lead Plastic MSOP | -40°C to 85°C |
| LTC6930HMS8-8.00#PBF | LTC6930HMS8-8.00#TRPBF | LTCLD | 8-Lead Plastic MSOP | -40°C to 125°C |
| LTC6930MPMS8-8.00#PBF | LTC6930MPMS8-8.00#TRPBF | LTCLD | 8-Lead Plastic MSOP | -55°C to 125°C |
| LTC6930CMS8-8.19#PBF | LTC6930CMS8-8.19#TRPBF | LTCLF | 8-Lead Plastic MSOP | 0°C to 70°C |
| LTC6930IMS8-8.19#PBF | LTC6930IMS8-8.19#TRPBF | LTCLF | 8-Lead Plastic MSOP | -40°C to 85°C |
| LTC6930HMS8-8.19#PBF | LTC6930HMS8-8.19#TRPBF | LTCLF | 8-Lead Plastic MSOP | -40°C to 125°C |
| LTC6930MPMS8-8.19#PBF | LTC6930MPMS8-8.19#TRPBF | LTCLF | 8-Lead Plastic MSOP | -55°C to 125°C |

Consult LTC Marketing for parts specified with wider operating temperature ranges. *Temperature grades are identified by a label on the shipping container. Consult LTC Marketing for information on lead based finish parts.

For more information on lead free part marking, go to: <http://www.linear.com/leadfree/>

For more information on tape and reel specifications, go to: <http://www.linear.com/tapeandree/>

AC ELECTRICAL CHARACTERISTICS The ● denotes the specifications which apply over the full operating temperature range, otherwise specifications are at $T_A = 25^\circ\text{C}$. Unless otherwise noted, specifications apply over the full range of operating supply voltage and frequency output: $V^+ = 1.7\text{V to }5.5\text{V}$ and all DIV settings with $C_{\text{LOAD}} = 5\text{pF}$, $R_{\text{LOAD}} = \infty$.

| SYMBOL | PARAMETER | CONDITIONS | MIN | TYP | MAX | UNITS |
|----------------------|----------------------------------|--|------|--------|------|--------------------------|
| Δf_i | Initial Frequency Accuracy | $\text{DIVA} = \text{DIVB} = \text{DIVC} = 0$, $T_A = 25^\circ\text{C}$, $V^+ = 3\text{V}$ | | 0.08 | 0.09 | % |
| Δf | Frequency Accuracy (Note 4) | $V^+ = 3\text{V} - 3.6\text{V}$ | | | | |
| | | LTC6930C ● | ±0.1 | ±0.45 | % | |
| | | LTC6930I ● | ±0.1 | ±0.65 | % | |
| | | LTC6930H/LTC6930MP ● | ±0.1 | ±1 | % | |
| | | $V^+ = 2\text{V} - 3.6\text{V}$ | | | | |
| | | LTC6930C ● | ±0.1 | ±0.52 | % | |
| | | LTC6930I ● | ±0.1 | ±0.65 | % | |
| | | LTC6930H/LTC6930MP ● | ±0.1 | ±1.1 | % | |
| | | $V^+ = 1.7\text{V} - 5.5\text{V}$ | | | | |
| LTC6930C ● | ±0.1 | ±0.8 | % | | | |
| LTC6930I ● | ±0.1 | ±0.95 | % | | | |
| LTC6930H/LTC6930MP ● | ±0.1 | ±1.3 | % | | | |
| $\Delta f/\Delta T$ | Frequency Drift Over Temperature | MS8 Package ● | | 0.0001 | | %/°C |
| | | DCB Package ● | | 0.001 | | %/°C |
| $\Delta f/\Delta V$ | Frequency Drift Over Supply | ● | | 0.07 | | %/V |
| | Long-Term Frequency Stability | (Note 5) ● | | 30 | | ppm/ $\sqrt{\text{kHr}}$ |

6930fe

AC ELECTRICAL CHARACTERISTICS The ● denotes the specifications which apply over the full operating temperature range, otherwise specifications are at $T_A = 25^\circ\text{C}$. Unless otherwise noted, specifications apply over the full range of operating supply voltage and frequency output: $V^+ = 1.7\text{V}$ to 5.5V and all DIV settings with $C_{\text{LOAD}} = 5\text{pF}$, $R_{\text{LOAD}} = \infty$.

| SYMBOL | PARAMETER | CONDITIONS | MIN | TYP | MAX | UNITS |
|--------|-------------------|---|-----|------|-------------------|-------------------|
| | RMS Period Jitter | DIVA = DIVB = DIVC = 0, $V^+ = 3\text{V}$ LTC6930-4.19 (4.194304MHz) | | 320 | | ps RMS |
| | | LTC6930-5.00 (5.000000MHz) | | 1.7 | | ns _{p-p} |
| | | LTC6930-7.37 (7.372800MHz) | | 225 | | ps RMS |
| | | LTC6930-8.00 (8.000000MHz) | | 1.2 | | ns _{p-p} |
| | | LTC6930-8.19 (8.192000MHz) | | 180 | | ps RMS |
| | | | | 0.97 | | ns _{p-p} |
| | | | 130 | | ps RMS | |
| | | | 0.8 | | ns _{p-p} | |
| | | | 130 | | ps RMS | |
| | | | 0.8 | | ns _{p-p} | |

DC ELECTRICAL CHARACTERISTICS The ● denotes the specifications which apply over the full operating temperature range, otherwise specifications are at $T_A = 25^\circ\text{C}$. Unless otherwise noted, specifications apply over the full range of operating supply voltage and frequency output: $V^+ = 1.7\text{V}$ to 5.5V and all DIV settings with $C_{\text{LOAD}} = 5\text{pF}$, $R_{\text{LOAD}} = \infty$.

| SYMBOL | PARAMETER | CONDITIONS | MIN | TYP | MAX | UNITS | | |
|------------|--|---|--|-----|------|---------------|-----|---|
| V_S | Supply Voltage Applied Between V^+ and GND | | ● | 1.7 | 5.5 | V | | |
| $I_{S,DC}$ | V^+ Combined Supply Current | LTC6930-4.19 | | | | | | |
| | | DIVA = DIVB = DIVC = 0, $V^+ = 1.7\text{V}$ | ● | 170 | 290 | μA | | |
| | | DIVA = DIVB = DIVC = 0, $V^+ = 3\text{V}$ | ● | 260 | 420 | μA | | |
| | | DIVA = DIVB = DIVC = 0, $V^+ = 5.5\text{V}$ | ● | 490 | 750 | μA | | |
| | | DIVA = DIVB = DIVC = 1, $V^+ = 1.7\text{V}$ | ● | 80 | 160 | μA | | |
| | | DIVA = DIVB = DIVC = 1, $V^+ = 3\text{V}$ | ● | 105 | 190 | μA | | |
| | | DIVA = DIVB = DIVC = 1, $V^+ = 5.5\text{V}$ | ● | 130 | 355 | μA | | |
| | | LTC6930-5.00 | | | | | | |
| | | DIVA = DIVB = DIVC = 0, $V^+ = 1.7\text{V}$ | ● | 201 | 430 | μA | | |
| | | DIVA = DIVB = DIVC = 0, $V^+ = 3\text{V}$ | ● | 307 | 570 | μA | | |
| | | DIVA = DIVB = DIVC = 0, $V^+ = 5.5\text{V}$ | ● | 579 | 960 | μA | | |
| | | DIVA = DIVB = DIVC = 1, $V^+ = 1.7\text{V}$ | ● | 95 | 176 | μA | | |
| | | DIVA = DIVB = DIVC = 1, $V^+ = 3\text{V}$ | ● | 124 | 212 | μA | | |
| | | DIVA = DIVB = DIVC = 1, $V^+ = 5.5\text{V}$ | ● | 154 | 375 | μA | | |
| $I_{S,DC}$ | V^+ Combined Supply Current | LTC6930-7.37 | | | | | | |
| | | DIVA = DIVB = DIVC = 0, $V^+ = 1.7\text{V}$ | ● | 296 | 480 | μA | | |
| | | DIVA = DIVB = DIVC = 0, $V^+ = 3\text{V}$ | ● | 453 | 660 | μA | | |
| | | DIVA = DIVB = DIVC = 0, $V^+ = 5.5\text{V}$ | ● | 853 | 1310 | μA | | |
| | | DIVA = DIVB = DIVC = 1, $V^+ = 1.7\text{V}$ | ● | 139 | 220 | μA | | |
| | | DIVA = DIVB = DIVC = 1, $V^+ = 3\text{V}$ | ● | 183 | 273 | μA | | |
| | | DIVA = DIVB = DIVC = 1, $V^+ = 5.5\text{V}$ | ● | 226 | 440 | μA | | |
| | | LTC6930-8.00 | | | | | | |
| | | DIVA = DIVB = DIVC = 0, $V^+ = 1.7\text{V}$ | ● | 321 | 520 | μA | | |
| | | DIVA = DIVB = DIVC = 0, $V^+ = 3\text{V}$ | ● | 491 | 740 | μA | | |
| | | DIVA = DIVB = DIVC = 0, $V^+ = 5.5\text{V}$ | ● | 926 | 1380 | μA | | |
| | | DIVA = DIVB = DIVC = 1, $V^+ = 1.7\text{V}$ | ● | 151 | 240 | μA | | |
| | | DIVA = DIVB = DIVC = 1, $V^+ = 3\text{V}$ | ● | 198 | 295 | μA | | |
| | | DIVA = DIVB = DIVC = 1, $V^+ = 5.5\text{V}$ | ● | 246 | 475 | μA | | |
| | | LTC6930-8.19 | | | | | | |
| | | DIVA = DIVB = DIVC = 0, $V^+ = 1.7\text{V}$ | ● | 310 | 490 | μA | | |
| | | DIVA = DIVB = DIVC = 0, $V^+ = 3\text{V}$ | ● | 500 | 760 | μA | | |
| | | DIVA = DIVB = DIVC = 0, $V^+ = 5.5\text{V}$ | ● | 880 | 1400 | μA | | |
| | | DIVA = DIVB = DIVC = 1, $V^+ = 1.7\text{V}$ | ● | 150 | 270 | μA | | |
| | | DIVA = DIVB = DIVC = 1, $V^+ = 3\text{V}$ | ● | 190 | 325 | μA | | |
| | | DIVA = DIVB = DIVC = 1, $V^+ = 5.5\text{V}$ | ● | 210 | 540 | μA | | |
| | | V_{IH} | Minimum High Level Input Voltage, All Digital Input Pins | | ● | 1.25 | 1.4 | V |

DC ELECTRICAL CHARACTERISTICS The ● denotes the specifications which apply over the full operating temperature range, otherwise specifications are at $T_A = 25^\circ\text{C}$. Unless otherwise noted, specifications apply over the full range of operating supply voltage and frequency output: $V^+ = 1.7\text{V}$ to 5.5V and all DIV settings with $C_{\text{LOAD}} = 5\text{pF}$, $R_{\text{LOAD}} = \infty$.

| SYMBOL | PARAMETER | CONDITIONS | MIN | TYP | MAX | UNITS | |
|---------------------|---|---|-------|------|-----|-------|---|
| V_{IL} | Maximum Low Level Input Voltage, All Digital Input Pins | | ● 0.7 | 1.25 | | V | |
| I_{IN} | Digital Input Leakage Current, All Digital Input Pins | $0 < V_{\text{IN}} < V^+$ | ● | | ±1 | μA | |
| R_{OUT} | Output Resistance | OUT Pin, $V^+ = 3\text{V}$ | | 40 | | Ω | |
| V_{OH} | High Level Output Voltage | DIVA = DIVB = DIVC = 0, No Load | ● | | | | |
| | | $V^+ = 5.5\text{V}$ | ● | 5.4 | 5.5 | V | |
| | | $V^+ = 3\text{V}$ | ● | 2.9 | 3 | V | |
| | | $V^+ = 2\text{V}$ | ● | 1.8 | 2 | V | |
| | | $V^+ = 1.7\text{V}$ | | | 1.7 | V | |
| | | DIVA = DIVB = DIVC = 0, 1kΩ Load to GND | ● | | | | |
| $V^+ = 5.5\text{V}$ | ● | 5 | 5.2 | V | | | |
| $V^+ = 3\text{V}$ | ● | 2.6 | 2.7 | V | | | |
| $V^+ = 2\text{V}$ | ● | 1.5 | 1.6 | V | | | |
| $V^+ = 1.7\text{V}$ | | | 1.5 | V | | | |
| V_{OL} | Low Level Output Voltage | DIVA = DIVB = DIVC = 0, No Load | ● | | | | |
| | | $V^+ = 5.5\text{V}$ | ● | | 0 | 0.1 | V |
| | | $V^+ = 3\text{V}$ | ● | | 0 | 0.1 | V |
| | | $V^+ = 2\text{V}$ | ● | | 0 | 0.1 | V |
| | | $V^+ = 1.7\text{V}$ | | | 0 | | V |
| | | DIVA = DIVB = DIVC = 0, 1kΩ Load to V^+ | ● | | | | |
| | | $V^+ = 5.5\text{V}$ | ● | | 0.3 | 0.7 | V |
| | | $V^+ = 3\text{V}$ | ● | | 0.3 | 0.5 | V |
| $V^+ = 2\text{V}$ | ● | | 0.3 | 0.35 | V | | |
| $V^+ = 1.7\text{V}$ | | | 0.3 | | V | | |

TIMING CHARACTERISTICS The ● denotes the specifications which apply over the full operating temperature range, otherwise specifications are at $T_A = 25^\circ\text{C}$. Unless otherwise noted, specifications apply over the full range of operating supply voltage and frequency output: $V^+ = 1.7\text{V}$ to 5.5V and $f_{\text{OUT}} = 32.768\text{kHz}$ to 8.192MHz with $C_{\text{LOAD}} = 5\text{pF}$, $R_{\text{LOAD}} = \infty$.

| SYMBOL | PARAMETER | CONDITIONS | MIN | TYP | MAX | UNITS | |
|------------------|------------------------------------|--|-----|-----|-----|-------|---|
| t_{rf} | Output Rise/Fall Time (10% to 90%) | $V^+ = 3\text{V}$ | | 3 | | ns | |
| DCY | Duty Cycle | DIVA = DIVB = DIVC = 0; $V^+ = 2\text{V}$ to 5.5V | ● | 35 | 50 | 65 | % |
| | | DIVA = DIVB = DIVC = 0 | ● | 35 | 50 | 70 | % |
| | | DIVA or DIVB or DIVC \neq 0 | ● | 48 | 50 | 52 | % |
| D_{DIV} | DIV to OUT Delay | Edge of DIV Signal to 1st Accurate Output Cycle | | 1 | | Cycle | |
| D_{PON} | Power On Delay | $V^+ > 1.7\text{V}$ to 1st Accurate Output Cycle | ● | | 110 | μs | |

Note 1: Stresses beyond those listed under Absolute Maximum Ratings may cause permanent damage to the device. Exposure to any Absolute Maximum Rating condition for extended periods may affect device reliability and lifetime.

Note 2: LTC6930C is guaranteed functional over the operating range of -40°C to 85°C .

Note 3: The LTC6930C is guaranteed to meet specified performance from 0°C to 70°C . The LTC6930C is designed, characterized and expected to meet specified performance from -40°C to 85°C but is not tested or QA sampled at these temperatures. The LTC6930I is guaranteed to meet specified performance from -40°C to 85°C . The LTC6930H is guaranteed to meet specified performance from -40°C to 125°C . The LTC6930MP is guaranteed to meet specified performance from -55°C to 125°C .

Note 4: Frequency accuracy and frequency drift are defined as deviation from the nominal frequency or the nominal frequency divided by the integer set through the DIV pins for each part. The nominal frequency for

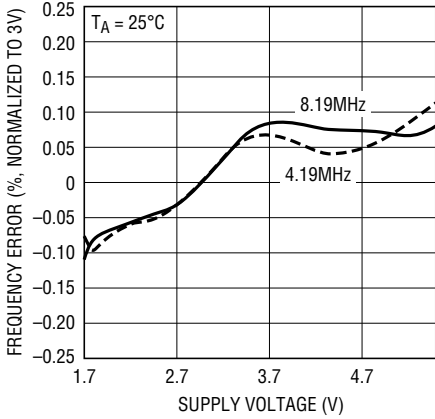
the LTC6930 family of parts are defined as follows:

| | |
|--------------|---------------------------------------|
| LTC6930-4.19 | $f_{\text{NOM}} = 4.194304\text{MHz}$ |
| LTC6930-5.00 | $f_{\text{NOM}} = 5.000000\text{MHz}$ |
| LTC6930-7.37 | $f_{\text{NOM}} = 7.372800\text{MHz}$ |
| LTC6930-8.00 | $f_{\text{NOM}} = 8.000000\text{MHz}$ |
| LTC6930-8.19 | $f_{\text{NOM}} = 8.192000\text{MHz}$ |

Note 5: Long-term drift of silicon oscillators is primarily due to the movement of ions and impurities within the silicon and is tested at 30°C under otherwise nominal operating conditions. Long-term drift is specified as $\text{ppm}/\sqrt{\text{kHr}}$ due to the typically non-linear nature of the drift. To calculate drift for a set time period, translate that time into thousands of hours, take the square root and multiply by the typical drift number. For instance, a year is 8.77kHr and would yield a drift of 89ppm at $30\text{ppm}/\sqrt{\text{kHr}}$. Drift without power applied to the device may be approximated as 1/10th of the drift with power, or $3\text{ppm}/\sqrt{\text{kHr}}$ for a $30\text{ppm}/\sqrt{\text{kHr}}$ device.

TYPICAL PERFORMANCE CHARACTERISTICS

Typical Frequency Error vs Supply Voltage



4216 G01

Typical Frequency Error vs Temperature, MS8 Package (Note 3)



4216 G02

Typical Frequency Error vs Temperature, DFN Package (Note 3)



4216 G03

Typical Supply Current vs DIV Setting



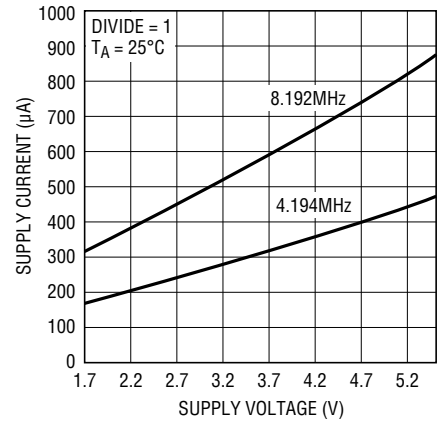
6930 G04

Typical Supply Current vs Load Capacitance



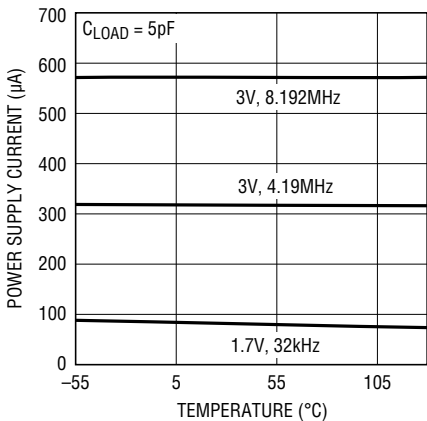
4216 G05

Typical Supply Current vs Supply Voltage



4216 G06

Typical Supply Current vs Temperature (Note 3)



4216 G07

Typical Output Spectrum, 8MHz



6930 G08

Typical Output Waveform, 8MHz



6930 G09

LTC6930-8.00
CLoad = 12pF

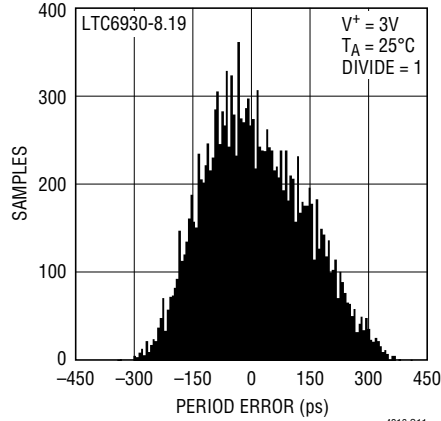
TYPICAL PERFORMANCE CHARACTERISTICS

Typical Jitter vs Supply in Divide by 1 Mode



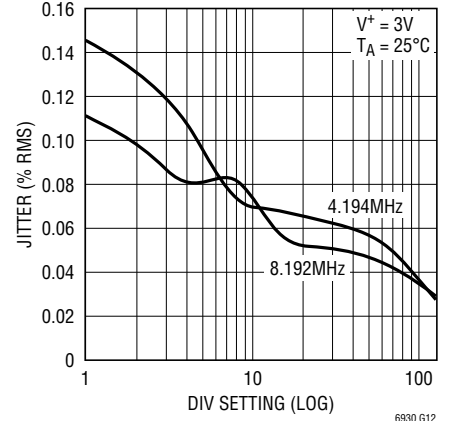
4216 G10

Typical Period Jitter Histogram



4216 G11

Typical Jitter vs Divider Setting



6930 G12

Typical Output Rise/Fall Time vs Supply



4216 G13

Typical Output Resistance vs Supply Voltage



4216 G14

Typical Output Duty Cycle vs Supply and Divide Ratio



4216 G15

Typical Frequency Settling from Power-Up



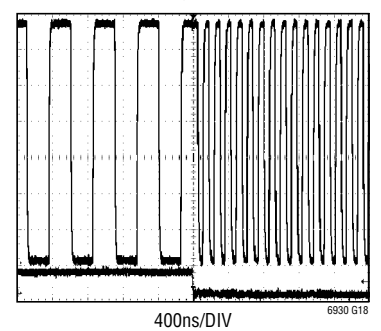
4216 G16

Typical Frequency Error vs Time (Long-Term Drift)



4216 G17

Typical Output Waveform at DIV Pin Change



6930 G18

PIN FUNCTIONS

V⁺ (Pins 1, 8): Positive Supply Pins. Each supply pin should be bypassed directly to the neighboring GND pin with a 0.1μF ceramic capacitor, and must be externally connected to the other V⁺ pin (see recommended layout).

GND (Pins 2, 6): Ground Pins. Each should be connected to a low inductance ground plane and must be connected to the other GND pin and on the DFN package, Pin 9.

DIVA, DIVB, DIVC (Pins 3, 4, 5): Output Prescaler. Selects divide ratio of master oscillator frequency used to generate the output. See frequency setting Table 1 for function. These are standard CMOS logic inputs with a typical threshold of 1.25V

OUT (Pin 7): Oscillator Output. Drives up to 50pF capacitive or 1k resistive load (Refer to Supply Current vs Load Capacitance in Typical Performance Characteristics section). Typical series resistance is less than 80Ω at 1.7V and less than 40Ω at 3V supply. The output trace should be isolated as much as possible from Pin 1 and Pin 2. The OUT pin is held low during start-up, and remains free from glitches and runt pulses during DIV pin switching.

Exposed Pad (Pin 9, DFN Only): The Exposed Pad must be soldered to a PCB plane connected to GND.

APPLICATIONS INFORMATION

Theory of Operation

The LTC6930 is an entirely self contained all silicon oscillator which consists of a master oscillator, a control loop and an output frequency divider. The master oscillator operates between 4.2MHz and 8.2MHz and is factory programmed. The master oscillator frequency is accurately maintained over temperature and environmental extremes by a proprietary switched capacitor feedback loop.

Each LTC6930 oscillator has an output frequency divider which is controlled via the DIVA, DIVB and DIVC inputs. The divider divides the master frequency by 2^N, where N is an integer from 0 to 7 (divider ranges from 1 to 128). See Table 1 for the full range of frequencies covered by the LTC6930 family.

The presence of two sets of supply pins and careful internal layout reduce interference between the oscillator output and the control loop. This allows the LTC6930 to provide a clean output frequency with very little deterministic jitter, even in cases of heavy output loading and noisy operating environments.

The supply voltage of the LTC6930 is internally regulated to maintain a very low frequency drift over supply.

Output Driver and Loading

The output of the LTC6930 is a low series resistance 40Ω CMOS driver with controlled rise/fall times to limit RF interference and power supply spikes generated by the output while preserving the ability to drive low impedance loads. Especially at high frequencies, the capacitive loading of the output of the LTC6930 may cause the majority of the power supply dissipation of the part.

The LTC6930 supply current is specified at an output load of 5pF, which is equivalent to two standard HC logic inputs. The portion of the power supply current needed to drive a capacitive load may be calculated as:

$$I_{\text{SUPPLY}} = C_{\text{LOAD}} \cdot V_{\text{SWING}} \cdot f_{\text{OSC}}$$

where C_{LOAD} is the 5pF load capacitance, V_{SWING} is the voltage swing, in this case up to 5.5V, and f_{OSC} is the frequency of the oscillator output. Driving a 5.5V swing into a 5pF load at 8MHz takes an average of 220μA. To calculate the portion of the supply current needed for a 50pF load, simply substitute 50pF for C_{LOAD} in the same equation:

$$50\text{pF} \cdot 5.5\text{V} \cdot 8\text{MHz} = 2.2\text{mA}$$

The majority of this power is expended during the rise and fall time of the output signal, not while it is in a steady

APPLICATIONS INFORMATION

state. The 2ns rise and fall times of the LTC6930 mean that the instantaneous power supply current required during the rise and fall portions of the waveform is much greater than the average.

The instantaneous power supply current may be calculated by a similar formula:

$$I_{\text{PEAK}} = C_{\text{LOAD}} \cdot V_{\text{SWING}} \cdot \frac{1}{t_{\text{rf}}}$$

where t_{rf} is the rise/fall time of the signal. In this case, 14mA spikes are generated by driving 5.5V into a 5pF load.

Power is supplied to the output driver of the LTC6930 from the V^+ and GND pins on each side of the output pin (Pins 6 and 8). Allowances must be made in the design to provide for output load related supply current spikes, especially in high accuracy applications. A 0.1 μ F ceramic capacitor connected between V^+ and GND (Pins 6 and 8) as close as possible to the device will decouple the rest of the circuit from spikes caused by powering a capacitive output load of up to 50pF. See Figure 1.

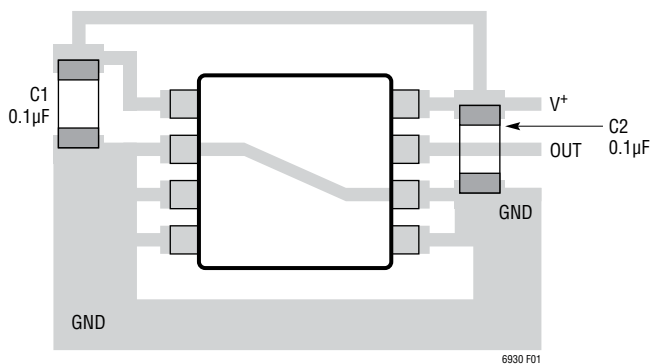


Figure 1. Recommended Layout

Switching the DIV Pins

The LTC6930 is designed to quickly and cleanly respond to the digital inputs. The output will respond to the DIV pins within a single clock cycle without introducing any sliver or runt pulses.

Start-Up Time

The start-up time of the LTC6930 is typically 50 μ s from the time that valid power is applied to the first output pulse. The output is held low for the first 50 μ s to prevent any glitches, runt pulses, or invalid frequency output during start-up.

Long-Term Drift

Long-term stability of silicon oscillators is specified in ppm/ $\sqrt{\text{kHr}}$, which is typical of other silicon devices such as operational amplifiers and voltage references. Because drift in silicon-based oscillators is generated primarily by movement of ions in the silicon, most of the drift is accomplished early in the life of the device and the drift can be expected to level off in the long term. The ppm/ $\sqrt{\text{kHr}}$ unit models this time variant decay. Crystal oscillators are often specified with drift measured in ppm/year because their drift mechanism is different. A comparison of various drift rates over a five year time period is shown in Figure 2.

When calculating the amount of drift to be expected, it is important to consider the entire time in the calculation, because the relationship to time is not linear. The drift for



Figure 2. 5 Year Drift at Various Rates

APPLICATIONS INFORMATION

5 years is not 5 times the drift for one year. A sample calculation for drift over 5 years at $30\text{ppm}/\sqrt{\text{kHr}}$ is as follows:

$$5 \text{ years} \cdot 365.25 \text{ days/year} \cdot 24 \text{ hours/day} = 43,830 \text{ hours} = 43.830\text{kHr}$$

$$\sqrt{43.830\text{kHr}} = 6.62\sqrt{\text{kHr}}$$

$$6.62\sqrt{\text{kHr}} \cdot 30\text{ppm}/\sqrt{\text{kHr}} = 0.0198\% \text{ over 5 years.}$$

Drift calculations assume that the part is in continuous operation during the entire time period of the calculation. The movement of ions which results in drift is usually aided by electric fields in the operating parts, and the typical drift spec applies while the part is powered up. Conservative calculations would use a tenth of the drift specification for time when power is not applied to the part.

Setting the Frequency

The output frequency of the LTC6930 is chosen from the values in Table 1 and set using the DIV pins, as noted in the table. Master oscillator frequency is preset in the factory, and the DIV pins select an internal binary divider of up to 128.

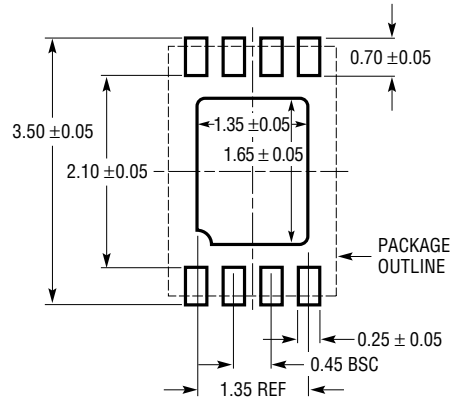
For example, if the desired oscillator output frequency is 2.5MHz, finding 2.5MHz in Table 1 shows that the LTC6930-5.00 should be ordered, having a master oscillator frequency of 5MHz, and a DIV value of [001] should be used. This would equate to grounding DIVC and DIVB, while connecting DIVA to the positive supply. Frequencies other than those shown in Table 1 may be requested.

Table 1. Frequency Setting and Available Frequencies

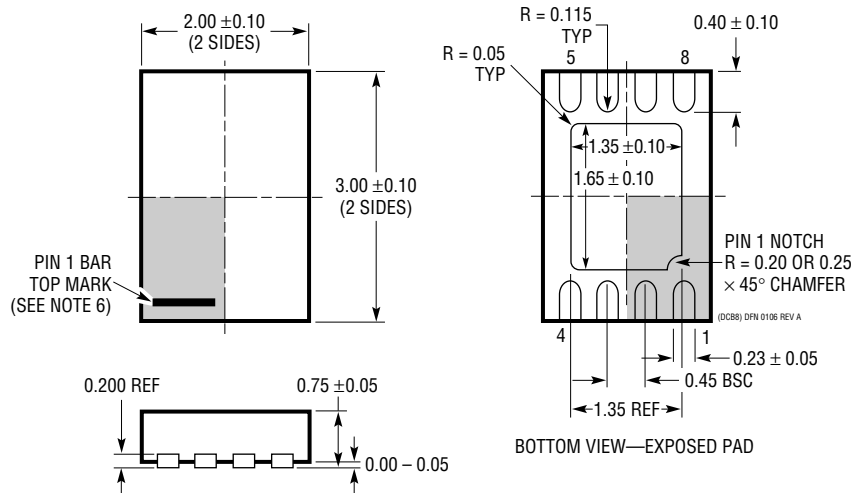
| | ÷1 | ÷2 | ÷4 | ÷8 | ÷16 | ÷32 | ÷64 | ÷128 |
|--|-------------|-------------|-------------|------------|------------|------------|-----------|------------|
| DIV Pin Settings [DIVC][DIVB][DIVA] | 000 | 001 | 010 | 011 | 100 | 101 | 110 | 111 |
| LTC6930-4.19 | 4.194304MHz | 2.097152MHz | 1.048576MHz | 524.288kHz | 262.144kHz | 131.072kHz | 65.536kHz | 32.768kHz |
| LTC6930-5.00 | 5.000MHz | 2.500MHz | 1.250MHz | 625.0kHz | 312.5kHz | 156.25kHz | 78.125kHz | 39.0625kHz |
| LTC6930-7.37 | 7.3728MHz | 3.6864MHz | 1.8432MHz | 921.6kHz | 460.8kHz | 230.4kHz | 115.2kHz | 57.6kHz |
| LTC6930-8.00 | 8.000MHz | 4.000MHz | 2.000MHz | 1000kHz | 500.0kHz | 250.0kHz | 125.0kHz | 62.5kHz |
| LTC6930-8.19 | 8.192MHz | 4.096MHz | 2.048MHz | 1024kHz | 512.0kHz | 256.0kHz | 128.0kHz | 64.0kHz |

PACKAGE DESCRIPTION

DCB Package 8-Lead Plastic DFN (2mm × 3mm) (Reference LTC DWG # 05-08-1718 Rev A)



RECOMMENDED SOLDER PAD PITCH AND DIMENSIONS
APPLY SOLDER MASK TO AREAS THAT ARE NOT SOLDERED

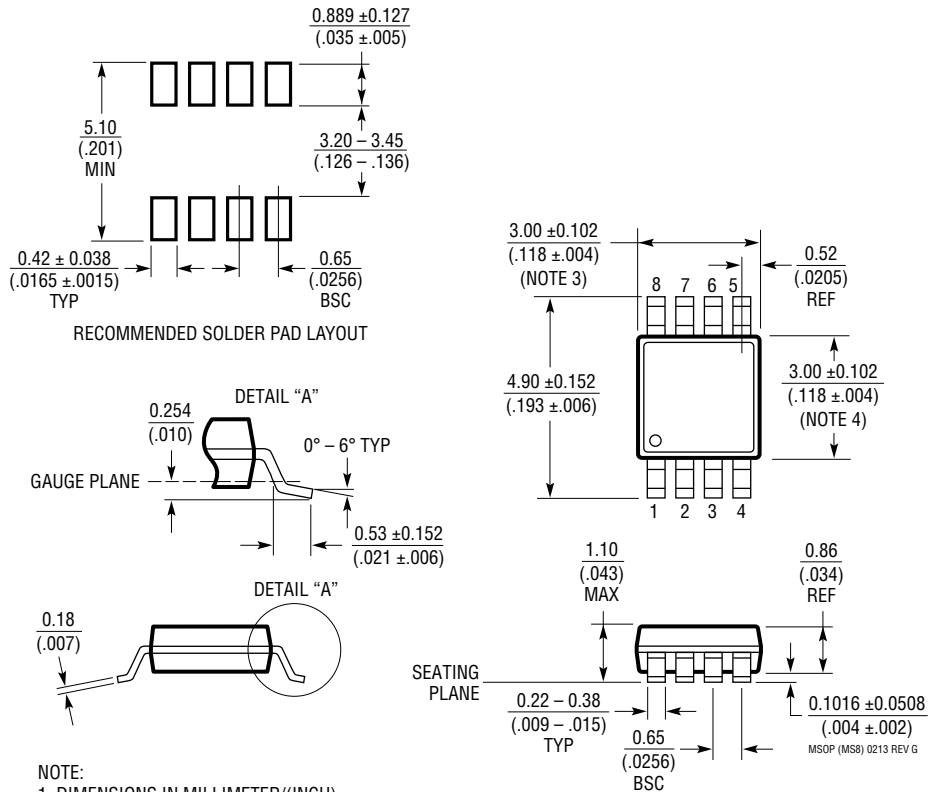


NOTE:

1. DRAWING IS NOT A JEDEC PACKAGE OUTLINE
2. DRAWING NOT TO SCALE
3. ALL DIMENSIONS ARE IN MILLIMETERS
4. DIMENSIONS OF EXPOSED PAD ON BOTTOM OF PACKAGE DO NOT INCLUDE MOLD FLASH. MOLD FLASH, IF PRESENT, SHALL NOT EXCEED 0.15mm ON ANY SIDE
5. EXPOSED PAD SHALL BE SOLDER PLATED
6. SHADED AREA IS ONLY A REFERENCE FOR PIN 1 LOCATION ON THE TOP AND BOTTOM OF PACKAGE

PACKAGE DESCRIPTION

MS8 Package
8-Lead Plastic MSOP
 (Reference LTC DWG # 05-08-1660 Rev G)



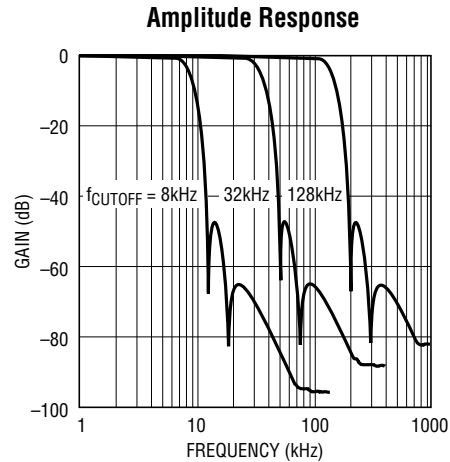
- NOTE:
1. DIMENSIONS IN MILLIMETER/(INCH)
 2. DRAWING NOT TO SCALE
 3. DIMENSION DOES NOT INCLUDE MOLD FLASH, PROTRUSIONS OR GATE BURRS.
MOLD FLASH, PROTRUSIONS OR GATE BURRS SHALL NOT EXCEED 0.152mm (.006") PER SIDE
 4. DIMENSION DOES NOT INCLUDE INTERLEAD FLASH OR PROTRUSIONS.
INTERLEAD FLASH OR PROTRUSIONS SHALL NOT EXCEED 0.152mm (.006") PER SIDE
 5. LEAD COPLANARITY (BOTTOM OF LEADS AFTER FORMING) SHALL BE 0.102mm (.004") MAX

REVISION HISTORY (Revision history begins at Rev C)

| REV | DATE | DESCRIPTION | PAGE NUMBER |
|-----|------|--|-------------|
| C | 1/11 | Revised the option for LTC6930-7.37 under Features. | 1 |
| D | 2/11 | Added LTC6930CMS8-4.19 to the Order Information section. | 3 |
| E | 5/15 | Added MP-Grade | 1-3, 5, 6 |

TYPICAL APPLICATION

Dual, Matched, Digitally Programmable, Lowpass Filter, 2kHz to 256kHz



| DIVC, DIVB, DIVA | 000 | 001 | 010 | 011 | 100 | 101 | 110 | 111 |
|---------------------|--------|--------|-------|-------|-------|------|------|------|
| f _{CUTOFF} | 256kHz | 128kHz | 64kHz | 32kHz | 16kHz | 8kHz | 4kHz | 2kHz |

RELATED PARTS

| PART NUMBER | DESCRIPTION | COMMENTS |
|---------------------------------|---|--|
| LTC1799 | 1kHz to 33MHz ThinSOT™ Oscillator, Resistor Set | Wide Frequency Range |
| LTC6900 | 1kHz to 20MHz ThinSOT Oscillator, Resistor Set | Low Power, Wide Frequency Range |
| LTC6902 | Multiphase Oscillator with Spread Spectrum Modulation | 2-, 3- or 4-Phase Outputs |
| LTC6903/LTC6904 | 1kHz to 68MHz Serial Port Programmable Oscillator | 0.1% Frequency Resolution, I ² C or SPI Interface |
| LTC6905 | 17MHz to 170MHz ThinSOT Oscillator, Resistor Set | High Frequency, 100µs Start-Up, 7ps RMS Jitter |
| LTC6905-XXX | Fixed Frequency ThinSOT Oscillator Family, Up to 133MHz | No Trim Components Required |
| LTC6906 | Micropower 10kHz to 1MHz ThinSOT Oscillator, Resistor Set | 12µA Supply Current at 100kHz, 0.65% Frequency Accuracy |
| LTC6907 | Micropower 40kHz to 4MHz ThinSOT Oscillator, Resistor Set | 36µA Supply Current at 400kHz, 0.65% Frequency Accuracy |
| LTC6908 | Multiphase Oscillator with Spread Spectrum Modulation | 2 Outputs Shifted by Either 180° or 90° |
| LTC6909 | Multiphase Oscillator with Spread Spectrum Modulation | 8 Outputs, Configurable Phase Separation from 45° to 120° |

Looking for pricing, stock, or lifecycle information?

Click below to explore more details on WIN SOURCE:

- ⊖ [View LTC6930IMS8-7.37#TRPBF on WIN SOURCE](#)
- ⊖ [Linear Technology Information](#)

Optimize Your Supply Chain with WIN SOURCE Solutions

- ✓ Global Sourcing Solution
- ✓ Obsolete Management
- ✓ Cost Control Management
- ✓ Shortage Management
- ✓ Alternative Solution
- ✓ Excess Inventory Management