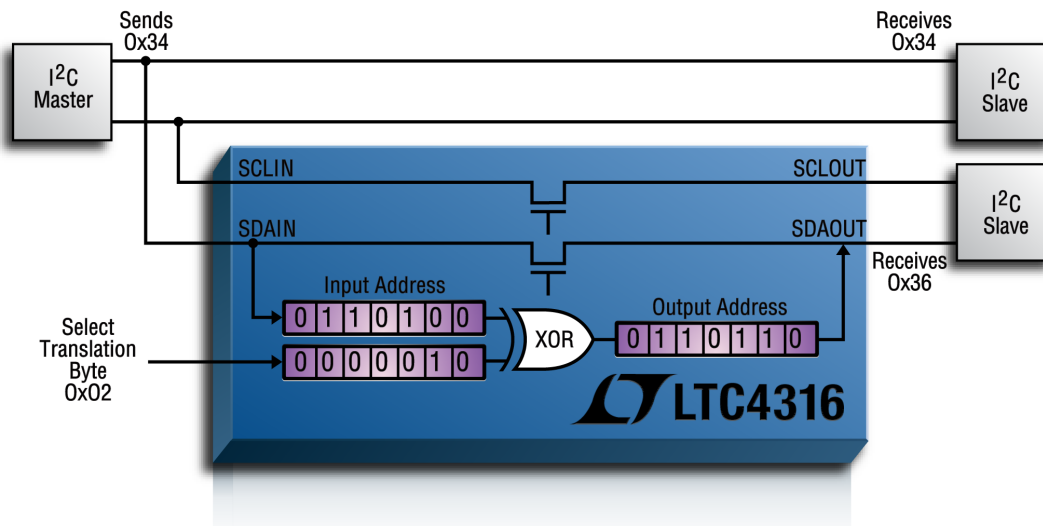




**THE DATASHEET OF  
LTC4316CDD#PBF**



# I<sup>2</sup>C/SMBus Address Translators



The LTC4316/LTC4317/LTC4318 are I<sup>2</sup>C/SMBus address translators that bridge two or more segments of an I<sup>2</sup>C bus, reading incoming addresses on the master side and transmitting a different 7-bit I<sup>2</sup>C address to the slave side to avoid address conflicts. Only discrete resistors are needed to select the new address and no software programming is required. Up to 127 different address translations are available.

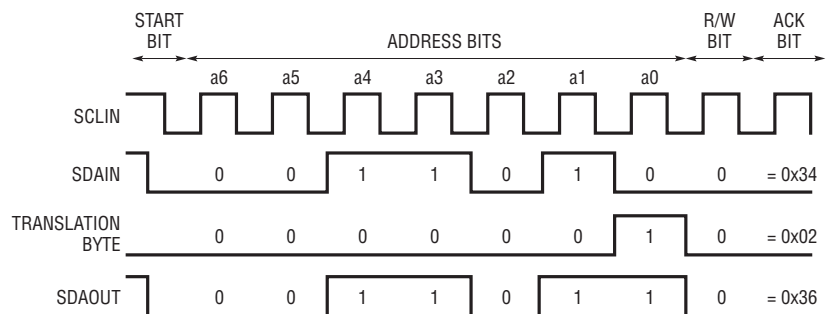
## Features

- **Allows Multiple Slaves with the Same Address to Coexist on the Same Bus**
- **Resistor Configurable Address Translation**
- **No Software Programming Required**
- SMBus, I<sup>2</sup>C and I<sup>2</sup>C Fast Mode Compatible
- Pass-Through Mode Allows General Call Addressing
- ±4kV HBM ESD
- Level Translation for 2.5V, 3.3V and 5V Buses
- Stuck Bus Timeout
- Prevents SDA and SCL Corruption During Live Board Insertion and Removal

## Part Selection

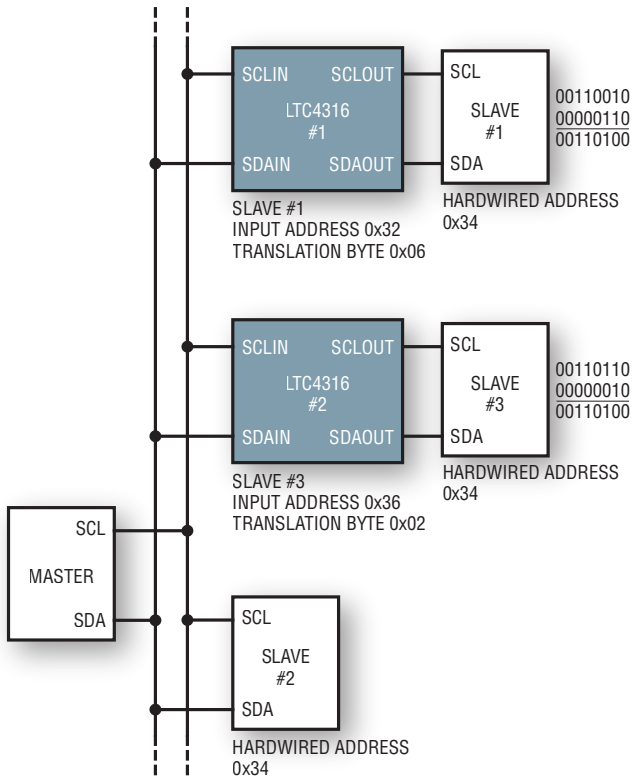
Part Number	Number of Input Channels	Number of Output Channels	Packages
LTC4316	1	1	3mm × 3mm DFN-10, MSOP-10
LTC4317	1	2	5mm × 3mm DFN-16
LTC4318	2	2	4mm × 4mm QFN-20

## Timing Diagram Example

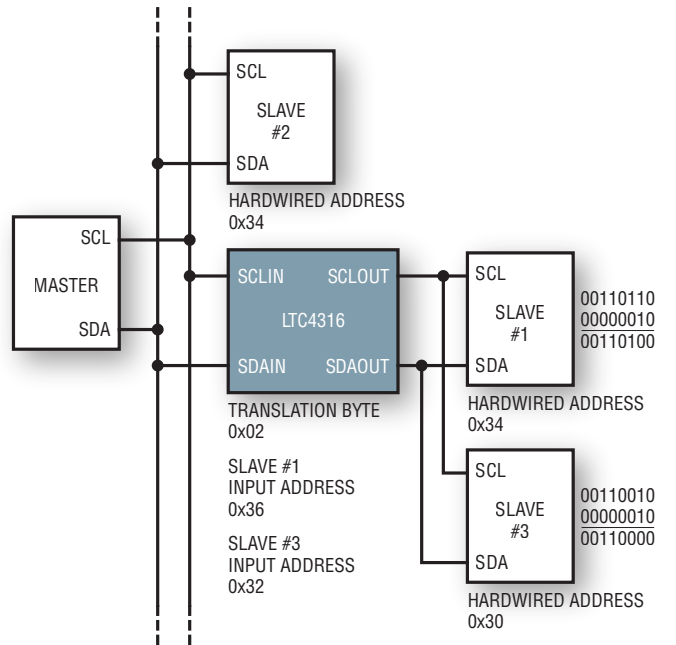


# Configurations

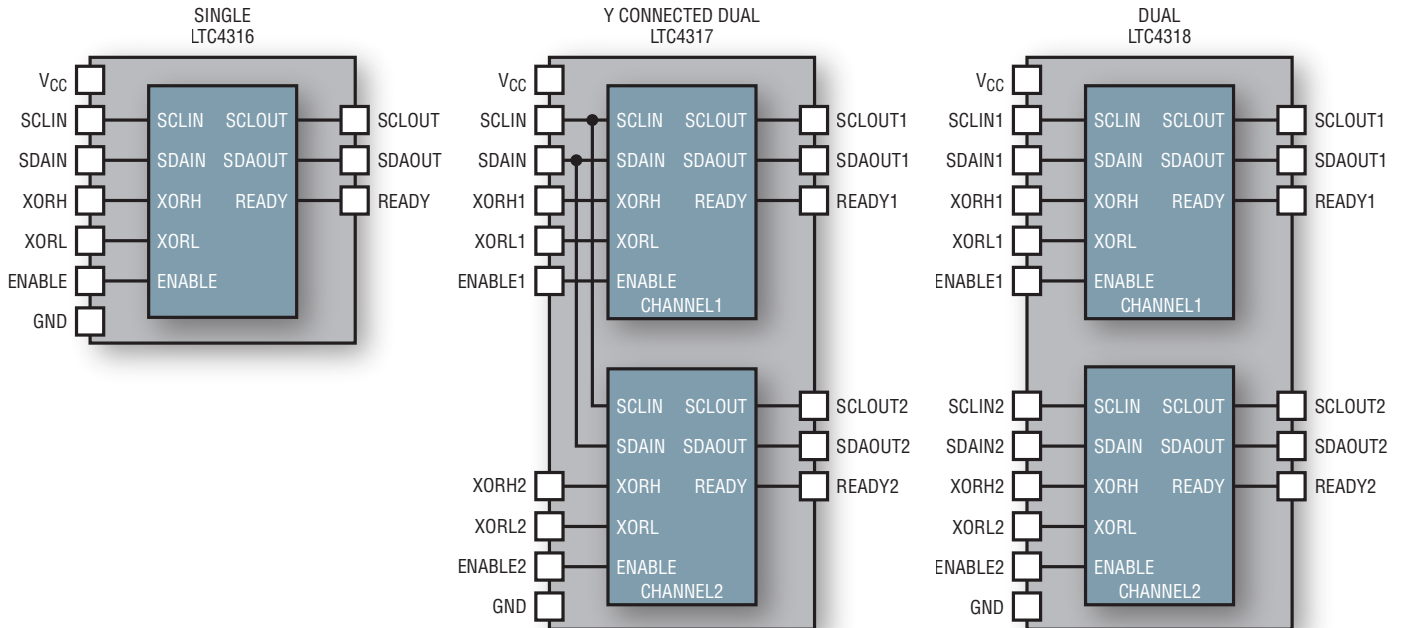
## Two Independent Address Translations



## Two Slaves Sharing One LTC4316



# Part Comparison



## Looking for pricing, stock, or lifecycle information?

Click below to explore more details on WIN SOURCE:

 [View LTC4316CDD#PBF on WIN SOURCE](#)

 [Linear Technology](#) Information

## Optimize Your Supply Chain with WIN SOURCE Solutions

-  Global Sourcing Solution
-  Obsolete Management
-  Cost Control Management
-  Shortage Management
-  Alternative Solution
-  Excess Inventory Management