



**THE DATASHEET OF  
LTC2850CS8#PBF**



## FEATURES

- **3.3V Supply Voltage**
- **20Mbps Maximum Data Rate**
- **No Damage or Latchup Up to  $\pm 15\text{kV}$  HBM**
- **High Input Impedance Supports 256 Nodes (C-, I-Grade)**
- **Operation Up to  $125^\circ\text{C}$  (H-Grade)**
- **Guaranteed Failsafe Receiver Operation Over the Entire Common Mode Range**
- **Current Limited Drivers and Thermal Shutdown**
- **Delayed Micropower Shutdown:  $5\mu\text{A}$  Maximum (C-, I-Grade)**
- **Power Up/Down Glitch-Free Driver Outputs**
- **Low Operating Current:  $370\mu\text{A}$  Typical in Receive Mode**
- **Compatible with TIA/EIA-485-A Specifications**
- **Available in 8-Pin and 10-Pin  $3\text{mm} \times 3\text{mm}$  DFN, 8-Pin and 10-Pin MSOP, and 8-Pin and 14-Pin SO Packages**

## APPLICATIONS

- **Low Power RS485/RS422 Transceiver**
- **Level Translator**
- **Backplane Transceiver**

## DESCRIPTION

The **LTC<sup>®</sup>2850**, LTC2851 and LTC2852 are low power, 20Mbps RS485/RS422 transceivers operating on 3.3V supplies. The receiver has a one-eighth unit load supporting up to 256 nodes per bus (C-, I-grade), and a failsafe feature that guarantees a high output state under conditions of floating or shorted inputs.

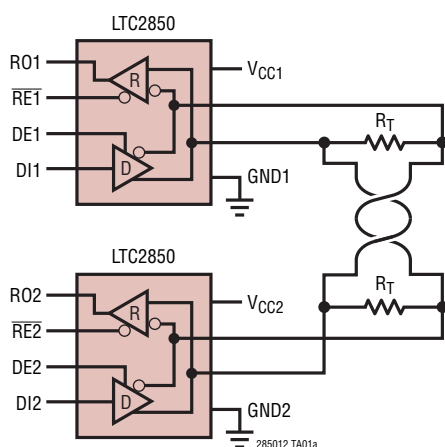
The driver maintains a high output impedance over the entire common mode range when disabled or when the supply is removed. Excessive power dissipation caused by bus contention or a fault is prevented by current limiting all outputs and by thermal shutdown.

Enhanced ESD protection allows these parts to withstand up to  $\pm 15\text{kV}$  (human body model) on the transceiver interface pins without latchup or damage.

| PART NUMBER | DUPLEX | PACKAGE                |
|-------------|--------|------------------------|
| LTC2850     | Half   | SO-8, MSOP-8, DFN-8    |
| LTC2851     | Full   | SO-8, MSOP-8, DFN-8    |
| LTC2852     | Full   | SO-14, MSOP-10, DFN-10 |

LT, LT, LTC, LTM, Linear Technology, the Linear logo and  $\mu$ Module are registered trademarks of Linear Technology Corporation. All other trademarks are the property of their respective owners.

## TYPICAL APPLICATION



**LTC2850 at 20Mbps Into  $54\Omega$**



# LTC2850/LTC2851/LTC2852

## ABSOLUTE MAXIMUM RATINGS (Note 1)

Supply Voltage ( $V_{CC}$ ) ..... -0.3V to 7V  
 Logic Input Voltages ( $\overline{RE}$ , DE, DI) ..... -0.3V to 7V  
 Interface I/O:  
 A, B, Y, Z ..... ( $V_{CC} - 15V$ ) to 15V  
 Receiver Output Voltage (RO) ..... -0.3V to ( $V_{CC} + 0.3V$ )

Operating Temperature (Note 4)

LTC285xC ..... 0°C to 70°C  
 LTC285xI ..... -40°C to 85°C  
 LTC285xH ..... -40°C to 125°C  
 LTC285xMP ..... -55°C to 125°C  
 Storage Temperature Range ..... -65°C to 150°C  
 Lead Temperature (Soldering, 10 sec)  
 MSOP ..... 300°C

## PIN CONFIGURATION

|  |   |  |
|--|---|--|
| <p>LTC2850</p> <p>TOP VIEW</p> <p>DD PACKAGE<br/>8-LEAD (3mm × 3mm) PLASTIC DFN</p> <p><math>T_{JMAX} = 150^{\circ}C</math>, <math>\theta_{JA} = 43^{\circ}C/W</math>, <math>\theta_{JC} = 3^{\circ}C/W</math><br/>EXPOSED PAD (PIN 9) IS GND, MUST BE SOLDERED TO PCB</p>   | <p>TOP VIEW</p> <p>MS8 PACKAGE<br/>8-LEAD PLASTIC MSOP</p> <p><math>T_{JMAX} = 150^{\circ}C</math>, <math>\theta_{JA} = 200^{\circ}C/W</math>, <math>\theta_{JC} = 40^{\circ}C/W</math></p> | <p>TOP VIEW</p> <p>S8 PACKAGE<br/>8-LEAD PLASTIC SO</p> <p><math>T_{JMAX} = 150^{\circ}C</math>, <math>\theta_{JA} = 150^{\circ}C/W</math>, <math>\theta_{JC} = 39^{\circ}C/W</math></p> |
| <p>LTC2851</p> <p>TOP VIEW</p> <p>DD PACKAGE<br/>8-LEAD (3mm × 3mm) PLASTIC DFN</p> <p><math>T_{JMAX} = 150^{\circ}C</math>, <math>\theta_{JA} = 43^{\circ}C/W</math>, <math>\theta_{JC} = 3^{\circ}C/W</math><br/>EXPOSED PAD (PIN 9) IS GND, MUST BE SOLDERED TO PCB</p>   | <p>TOP VIEW</p> <p>MS8 PACKAGE<br/>8-LEAD PLASTIC MSOP</p> <p><math>T_{JMAX} = 150^{\circ}C</math>, <math>\theta_{JA} = 200^{\circ}C/W</math>, <math>\theta_{JC} = 40^{\circ}C/W</math></p> | <p>TOP VIEW</p> <p>S8 PACKAGE<br/>8-LEAD PLASTIC SO</p> <p><math>T_{JMAX} = 150^{\circ}C</math>, <math>\theta_{JA} = 150^{\circ}C/W</math>, <math>\theta_{JC} = 39^{\circ}C/W</math></p> |
| <p>LTC2852</p> <p>TOP VIEW</p> <p>DD PACKAGE<br/>10-LEAD (3mm × 3mm) PLASTIC DFN</p> <p><math>T_{JMAX} = 150^{\circ}C</math>, <math>\theta_{JA} = 43^{\circ}C/W</math>, <math>\theta_{JC} = 3^{\circ}C/W</math><br/>EXPOSED PAD (PIN 11) IS GND, MUST BE SOLDERED TO PCB</p> | <p>TOP VIEW</p> <p>MS PACKAGE<br/>10-LEAD PLASTIC MSOP</p> <p><math>T_{JMAX} = 150^{\circ}C</math>, <math>\theta_{JA} = 120^{\circ}C/W</math>, <math>\theta_{JC} = 45^{\circ}C/W</math></p> | <p>TOP VIEW</p> <p>S PACKAGE<br/>14-LEAD PLASTIC SO</p> <p><math>T_{JMAX} = 150^{\circ}C</math>, <math>\theta_{JA} = 88^{\circ}C/W</math>, <math>\theta_{JC} = 37^{\circ}C/W</math></p>  |

## ORDER INFORMATION

LTC2850 C DD #TR PBF

### LEAD FREE DESIGNATOR

PBF = Lead Free

### TAPE AND REEL

TR = Tape and Reel

### PACKAGE TYPE

DD = 8-Lead Plastic DFN

DD = 10-Lead Plastic DFN

MS8 = 8-Lead Plastic MSOP

MS = 10-Lead Plastic MSOP

S8 = 8-Lead Plastic SO

S = 14-Lead Plastic SO

### TEMPERATURE GRADE

C = Commercial Temperature Range (0°C to 70°C)

I = Industrial Temperature Range (-40°C to 85°C)

H = Automotive Temperature Range (-40°C to 125°C)

MP = Military Temperature Range (-55°C to 125°C)

### PRODUCT PART NUMBER

LTC2850 = Half Duplex, with Enables

LTC2851 = Full Duplex, No Enables

LTC2852 = Full Duplex, with Enables

Consult LTC Marketing for information on non-standard lead based finish parts.

For more information on lead free part marking, go to: <http://www.linear.com/leadfree/>For more information on tape and reel specifications, go to: <http://www.linear.com/tapeandreeel/>

## PRODUCT SELECTION GUIDE

| PART NUMBER | PART MARKING              | DUPLEX | LOW POWER SHUTDOWN MODE | PACKAGE                |
|-------------|---------------------------|--------|-------------------------|------------------------|
| LTC2850     | 2850/I/H, LTCQD, LCQC     | Half   | Yes                     | SO-8, MSOP-8, DFN-8    |
| LTC2851     | 2851/I/H, LTCWF, LCWD     | Full   | No                      | SO-8, MSOP-8, DFN-8    |
| LTC2852     | 2852CS/IS/HS, LTCRX, LCRY | Full   | Yes                     | SO-14, MSOP-10, DFN-10 |
| LTC2850MP   | 2850MP, LTFYD, LFYC       | Half   | Yes                     | SO-8, MSOP-8, DFN-8    |
| LTC2851MP   | 2851MP, LTFYG, LFYF       | Full   | No                      | SO-8, MSOP-8, DFN-8    |
| LTC2852MP   | 2852MPS, LTFYH, LFYJ      | Full   | Yes                     | SO-14, MSOP-10, DFN-10 |

# LTC2850/LTC2851/LTC2852

## ELECTRICAL CHARACTERISTICS

The ● denotes the specifications which apply over the full operating temperature range, otherwise specifications are at  $T_A = 25^\circ\text{C}$ .  $V_{CC} = 3.3\text{V}$ , unless otherwise noted. (Note 2)

| SYMBOL           | PARAMETER   | CONDITIONS   | MIN         | TYP      | MAX                              | UNITS                          |
|------------------|---|--|-------------|----------|----------------------------------|--------------------------------|
| <b>Driver</b>    |   |  |             |          |                                  |                                |
| $ V_{OD} $       | Differential Driver Output Voltage  | $R = \infty, V_{CC} = 3\text{V}$ (Figure 1)<br>$R = 27\Omega, V_{CC} = 3\text{V}$ (Figure 1)<br>$R = 50\Omega, V_{CC} = 3.13\text{V}$ (Figure 1)                           | ●<br>●<br>● | 1.5<br>2 | $V_{CC}$<br>$V_{CC}$<br>$V_{CC}$ | V<br>V<br>V                    |
| $\Delta V_{OD} $ | Difference in Magnitude of Driver Differential Output Voltage for Complementary Output States | $R = 27\Omega$ or $50\Omega$ (Figure 1)  | ●           |          | 0.2                              | V                              |
| $V_{OC}$         | Driver Common Mode Output Voltage   | $R = 27\Omega$ or $50\Omega$ (Figure 1)  | ●           |          | 3                                | V                              |
| $\Delta V_{OC} $ | Difference in Magnitude of Driver Common Mode Output Voltage for Complementary Output States  | $R = 27\Omega$ or $50\Omega$ (Figure 1)  | ●           |          | 0.2                              | V                              |
| $I_{OZD}$        | Driver Three-State (High Impedance) Output Current on Y and Z                                 | $DE = 0\text{V}$ , (Y or Z) = $-7\text{V}$ , $12\text{V}$ (LTC2852)<br>H-Grade   | ●<br>●      |          | $\pm 10$<br>$\pm 50$             | $\mu\text{A}$<br>$\mu\text{A}$ |
| $I_{OSD}$        | Maximum Driver Short-Circuit Current  | $-7\text{V} \leq (\text{Y or Z}) \leq 12\text{V}$ (Figure 2)   | ●           | -250     | $\pm 180$<br>$\pm 250$<br>300    | $\text{mA}$<br>$\text{mA}$     |
| <b>Receiver</b>  |   |  |             |          |                                  |                                |
| $I_{IN}$         | Receiver Input Current (A, B)   | $DE = TE = 0\text{V}$ , $V_{CC} = 0\text{V}$ or $3.3\text{V}$ , $V_{IN} = 12\text{V}$ (Figure 3) (C, I-Grade)  | ●           |          | 125                              | $\mu\text{A}$                  |
|                  |   | $DE = TE = 0\text{V}$ , $V_{CC} = 0\text{V}$ or $3.3\text{V}$ , $V_{IN} = -7\text{V}$ , (Figure 3) (C, I-Grade)  | ●           | -100     |                                  | $\mu\text{A}$                  |
|                  |   | $DE = TE = 0\text{V}$ , $V_{CC} = 0\text{V}$ or $3.3\text{V}$ , $V_{IN} = 12\text{V}$ (Figure 3) (H-Grade)   | ●           |          | 250                              | $\mu\text{A}$                  |
|                  |   | $DE = TE = 0\text{V}$ , $V_{CC} = 0\text{V}$ or $3.3\text{V}$ , $V_{IN} = -7\text{V}$ , (Figure 3) (H-Grade)   | ●           | -145     |                                  | $\mu\text{A}$                  |
| $R_{IN}$         | Receiver Input Resistance   | $\overline{R_E} = V_{CC}$ or $0\text{V}$ , $DE = TE = 0\text{V}$ , $V_{IN} = -7\text{V}$ , $-3\text{V}$ , $3\text{V}$ , $7\text{V}$ , $12\text{V}$ (Figure 3) (C, I-Grade) | ●           | 96       | 125                              | $\text{k}\Omega$               |
|                  |   | $\overline{R_E} = V_{CC}$ or $0\text{V}$ , $DE = TE = 0\text{V}$ , $V_{IN} = -7\text{V}$ , $-3\text{V}$ , $3\text{V}$ , $7\text{V}$ , $12\text{V}$ (Figure 3) (H-Grade)    | ●           | 48       | 125                              | $\text{k}\Omega$               |
| $V_{TH}$         | Receiver Differential Input Threshold Voltage   | $-7\text{V} \leq B \leq 12\text{V}$  | ●           |          | $\pm 0.2$                        | V                              |
| $\Delta V_{TH}$  | Receiver Input Hysteresis   | $B = 0\text{V}$  |             | 25       |                                  | mV                             |
| $V_{OH}$         | Receiver Output High Voltage  | $I(RO) = -4\text{mA}$ , $A-B = 200\text{mV}$ , $V_{CC} = 3\text{V}$  | ●           | 2.4      |                                  | V                              |
| $V_{OL}$         | Receiver Output Low Voltage   | $I(RO) = 4\text{mA}$ , $A-B = -200\text{mV}$ , $V_{CC} = 3\text{V}$  | ●           |          | 0.4                              | V                              |
| $I_{OZR}$        | Receiver Three-State (High Impedance) Output Current on RO                                    | $\overline{R_E} = V_{CC}$ , $0\text{V} \leq RO \leq V_{CC}$ (LTC2850, LTC2852)   | ●           |          | $\pm 1$                          | $\mu\text{A}$                  |
| $I_{OSR}$        | Receiver Short-Circuit Current  | $0\text{V} \leq RO \leq V_{CC}$  | ●           |          | $\pm 85$                         | $\text{mA}$                    |
| <b>Logic</b>     |   |  |             |          |                                  |                                |
| $V_{IH}$         | Logic Input High Voltage  | $V_{CC} = 3.6\text{V}$   | ●           | 2        |                                  | V                              |
| $V_{IL}$         | Logic Input Low Voltage   | $V_{CC} = 3\text{V}$   | ●           |          | 0.8                              | V                              |
| $I_{INL}$        | Logic Input Current   |  | ●           | 0        | $\pm 10$                         | $\mu\text{A}$                  |

## ELECTRICAL CHARACTERISTICS

The ● denotes the specifications which apply over the full operating temperature range, otherwise specifications are at  $T_A = 25^\circ\text{C}$ .  $V_{CC} = 3.3\text{V}$ , unless otherwise noted. (Note 2)

| SYMBOL          | PARAMETER  | CONDITIONS  | MIN | TYP | MAX  | UNITS         |
|-----------------|--|---|-----|-----|------|---------------|
| <b>Supplies</b> |  |   |     |     |      |               |
| $I_{CCS}$       | Supply Current in Shutdown Mode                      | DE = 0V, $\overline{RE} = V_{CC}$ ,<br>LTC2850, LTC2852 (C and I-Grade) | ●   | 0   | 5    | $\mu\text{A}$ |
|                 |  | LTC2850, LTC2852 (H-Grade)  | ●   | 0   | 15   | $\mu\text{A}$ |
| $I_{CCR}$       | Supply Current in Receive Mode                       | DE = 0V, $\overline{RE} = 0\text{V}$ (LTC2850, LTC2852)                 | ●   | 370 | 900  | $\mu\text{A}$ |
| $I_{CCT}$       | Supply Current in Transmit Mode                      | No Load, DE = $V_{CC}$ , $\overline{RE} = V_{CC}$ (LTC2850, LTC2852)    | ●   | 450 | 1000 | $\mu\text{A}$ |
| $I_{CCTR}$      | Supply Current with Both Driver and Receiver Enabled | No Load, DE = $V_{CC}$ , $\overline{RE} = 0\text{V}$                    | ●   | 450 | 1000 | $\mu\text{A}$ |

## SWITCHING CHARACTERISTICS

The ● denotes the specifications which apply over the full operating temperature range, otherwise specifications are at  $T_A = 25^\circ\text{C}$ .  $V_{CC} = 3.3\text{V}$ , unless otherwise noted. (Note 2)

| SYMBOL                               | PARAMETER  | CONDITIONS   | MIN | TYP | MAX     | UNITS         |
|--------------------------------------|--|--|-----|-----|---------|---------------|
| <b>Driver</b>                        |  |  |     |     |         |               |
| $f_{MAX}$                            | Maximum Data Rate  | (Note 3)   | ●   | 20  |         | Mbps          |
| $t_{PLHD}, t_{PHLD}$                 | Driver Input to Output                                       | $R_{DIFF} = 54\Omega$ , $C_L = 100\text{pF}$ (Figure 4)  | ●   | 10  | 50      | ns            |
| $\Delta t_{PD}$                      | Driver Input to Output Difference<br>$ t_{PLHD} - t_{PHLD} $ | $R_{DIFF} = 54\Omega$ , $C_L = 100\text{pF}$ (Figure 4)  | ●   | 1   | 6       | ns            |
| $t_{SKEWD}$                          | Driver Output Y to Output Z                                  | $R_{DIFF} = 54\Omega$ , $C_L = 100\text{pF}$ (Figure 4)  | ●   | 1   | $\pm 6$ | ns            |
| $t_{RD}, t_{FD}$                     | Driver Rise or Fall Time                                     | $R_{DIFF} = 54\Omega$ , $C_L = 100\text{pF}$ (Figure 4)  | ●   | 4   | 12.5    | ns            |
| $t_{ZLD}, t_{ZHD}, t_{LZD}, t_{HZD}$ | Driver Enable or Disable Time                                | $R_L = 500\Omega$ , $C_L = 50\text{pF}$ , $\overline{RE} = 0\text{V}$ (Figure 5)<br>(LTC2850, LTC2852)   | ●   |     | 70      | ns            |
| $t_{ZHSD}, t_{ZLSD}$                 | Driver Enable from Shutdown                                  | $R_L = 500\Omega$ , $C_L = 50\text{pF}$ , $\overline{RE} = V_{CC}$ (Figure 5)<br>(LTC2850, LTC2852)  | ●   |     | 8       | $\mu\text{s}$ |
| $t_{SHDN}$                           | Time to Shutdown   | $R_L = 500\Omega$ , $C_L = 50\text{pF}$ , (DE = $\downarrow$ , $\overline{RE} = V_{CC}$ )<br>or (DE = 0V, $\overline{RE} = \uparrow$ ) (Figure 5) (LTC2850, LTC2852) | ●   |     | 100     | ns            |
| <b>Receiver</b>                      |  |  |     |     |         |               |
| $t_{PLHR}, t_{PHLR}$                 | Receiver Input to Output                                     | $C_L = 15\text{pF}$ , $V_{CM} = 1.5\text{V}$ , $ V_{AB}  = 1.5\text{V}$ ,<br>$t_R$ and $t_F < 4\text{ns}$ (Figure 6)   | ●   | 50  | 70      | ns            |
| $t_{SKEWR}$                          | Differential Receiver Skew<br>$ t_{PLHR} - t_{PHLR} $        | $C_L = 15\text{pF}$ (Figure 6)   | ●   | 1   | 6       | ns            |
| $t_{RR}, t_{FR}$                     | Receiver Output Rise or Fall Time                            | $C_L = 15\text{pF}$ (Figure 6)   | ●   | 3   | 12.5    | ns            |
| $t_{ZLR}, t_{ZHR}, t_{LZR}, t_{HZR}$ | Receiver Enable/Disable                                      | $R_L = 1\text{k}$ , $C_L = 15\text{pF}$ , DE = $V_{CC}$ (Figure 7)<br>(LTC2850, LTC2852)   | ●   |     | 50      | ns            |
| $t_{ZHSR}, t_{ZLSR}$                 | Receiver Enable from Shutdown                                | $R_L = 1\text{k}$ , $C_L = 15\text{pF}$ , DE = 0V (Figure 7)<br>(LTC2850, LTC2852)   | ●   |     | 8       | $\mu\text{s}$ |

**Note 1:** Stresses beyond those listed under Absolute Maximum Ratings may cause permanent damage to the device. Exposure to any Absolute Maximum Rating condition for extended periods may affect device reliability and lifetime. High temperatures degrade operating lifetimes. Operating lifetime is derated at temperatures greater than  $105^\circ\text{C}$ .

**Note 2:** All currents into device pins are positive; all currents out of device pins are negative. All voltages are referenced to device ground unless otherwise specified.

**Note 3:** Maximum data rate is guaranteed by other measured parameters and is not tested directly.

**Note 4:** This IC includes overtemperature protection that is intended to protect the device during momentary overload conditions. Overtemperature protection activates at a junction temperature exceeding  $150^\circ\text{C}$ . Continuous operation above the specified maximum operating junction temperature may result in device degradation or failure.

## TEST CIRCUITS



Figure 1. Driver DC Characteristics



Figure 2. Driver Output Short-Circuit Current



Figure 3. Receiver Input Current and Input Resistance

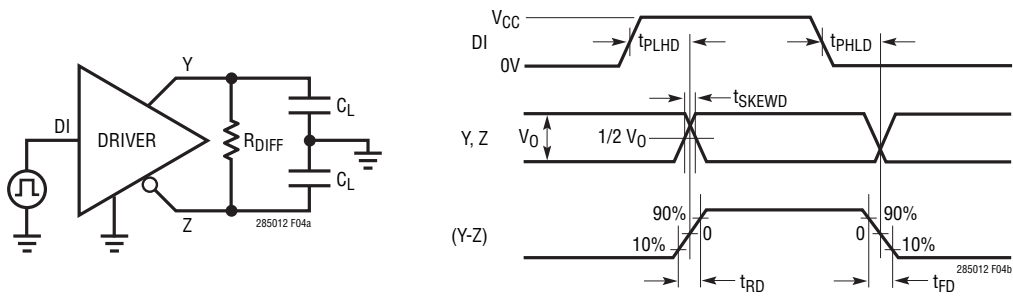


Figure 4. Driver Timing Measurement

TEST CIRCUITS

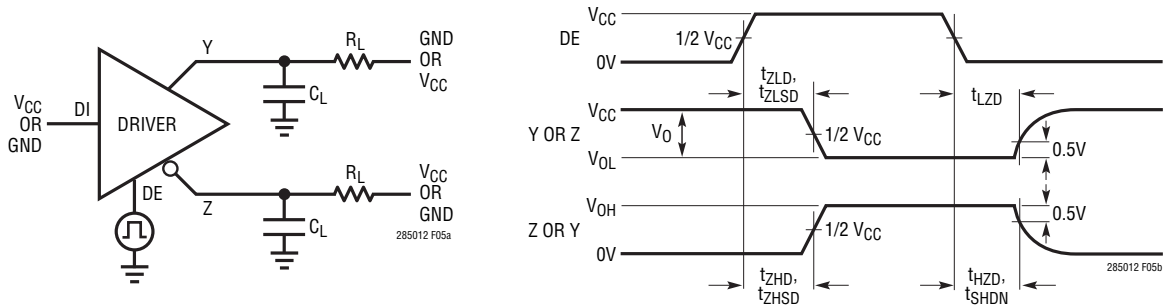


Figure 5. Driver Enable and Disable Timing Measurements



Figure 6. Receiver Propagation Delay Measurements

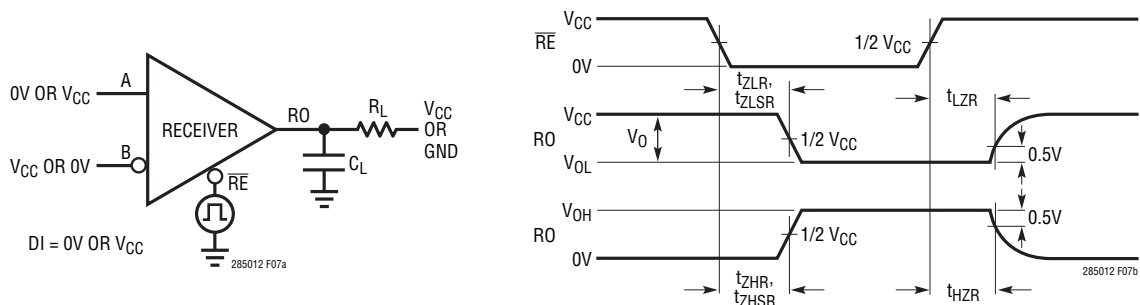


Figure 7. Receiver Enable/Disable Time Measurements

## TYPICAL PERFORMANCE CHARACTERISTICS $T_A = 25^\circ\text{C}$ , $V_{CC} = 3.3\text{V}$ , unless otherwise noted.

### Receiver Skew vs Temperature



### Driver Skew vs Temperature



### Driver Propagation Delay vs Temperature



### Driver Output Short-Circuit Current vs Temperature



### Driver Output Low/High Voltage vs Output Current



### Driver Differential Output Voltage vs Temperature



### Receiver Output Voltage vs Output Current (Source and Sink)



### Receiver Propagation Delay vs Temperature



### Supply Current vs Data Rate



## PIN FUNCTIONS

**RO:** Receiver Output. If the receiver output is enabled ( $\overline{RE}$  low) and  $A > B$  by 200mV, then RO will be high. If  $A < B$  by 200mV, then RO will be low. If the receiver inputs are open, shorted, or terminated without a valid signal, RO will be high.

**$\overline{RE}$ :** Receiver Enable. A low enables the receiver. A high input forces the receiver output into a high impedance state.

**DE:** Driver Enable. A high on DE enables the driver. A low input will force the driver outputs into a high impedance. If  $\overline{RE}$  is high with DE low, the part will enter a low power shutdown state.

**DI:** Driver Input. If the driver outputs are enabled (DE high), then a low on DI forces the driver positive output low and negative output high. A high on DI, with the driver outputs enabled, forces the driver positive output high and negative output low.

**GND:** Ground.

**Y:** Noninverting Driver Output for LTC2851 and LTC2852. High impedance when driver disabled or unpowered.

**Z:** Inverting Driver Output for LTC2851 and LTC2852. High impedance when driver disabled or unpowered.

**A:** Noninverting Receiver Input (and Noninverting Driver Output for LTC2850). Impedance is  $>96k\Omega$  in receive mode or unpowered.

**B:** Inverting Receiver Input (and Inverting Driver Output for LTC2850). Impedance is  $>96k\Omega$  in receive mode or unpowered.

**V<sub>CC</sub>:** Positive Supply.  $3V \leq V_{CC} \leq 3.6V$ . Bypass with 0.1 $\mu$ F ceramic capacitor.

**Exposed Pad:** Ground. The exposed pads on the DFN packages must be soldered to ground.

**NC:** Not connected internally for LTC2852 in SO-14 package.

## FUNCTION TABLES

LTC2850

| Logic Inputs |                 | Mode       | A, B     | RO     |
|--------------|-----------------|------------|----------|--------|
| DE           | $\overline{RE}$ |            |          |        |
| 0            | 0               | Receive    | $R_{IN}$ | Driven |
| 0            | 1               | Shutdown   | $R_{IN}$ | Hi-Z   |
| 1            | 0               | Transceive | Driven   | Driven |
| 1            | 1               | Transmit   | Driven   | Hi-Z   |

LTC2852

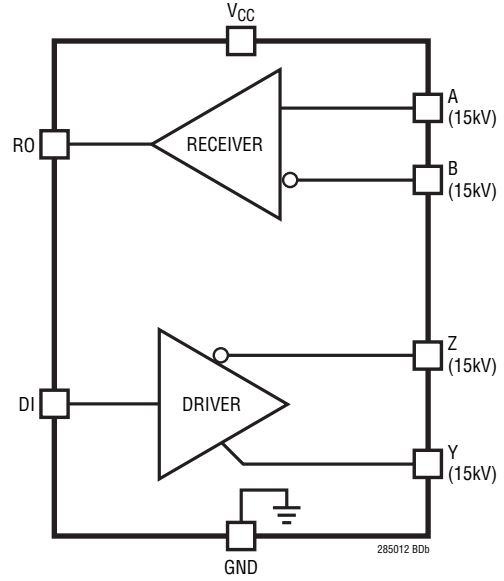
| Logic Inputs |                 | Mode       | A, B     | Y, Z   | RO     |
|--------------|-----------------|------------|----------|--------|--------|
| DE           | $\overline{RE}$ |            |          |        |        |
| 0            | 0               | Receive    | $R_{IN}$ | Hi-Z   | Driven |
| 0            | 1               | Shutdown   | $R_{IN}$ | Hi-Z   | Hi-Z   |
| 1            | 0               | Transceive | $R_{IN}$ | Driven | Driven |
| 1            | 1               | Transmit   | $R_{IN}$ | Driven | Hi-Z   |

## BLOCK DIAGRAM

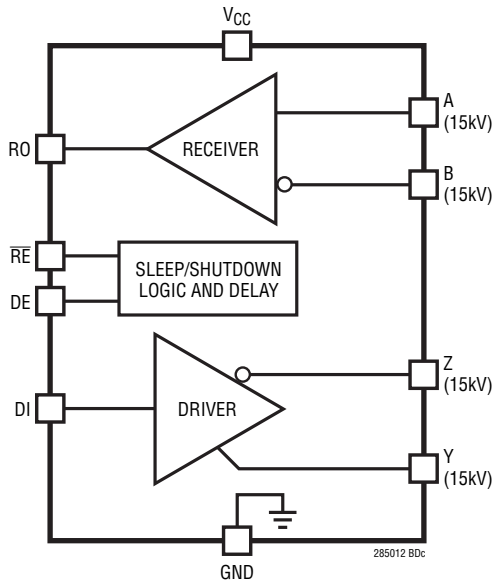
LTC2850



LTC2851



LTC2852



## APPLICATIONS INFORMATION

### Driver

The driver provides full RS485/RS422 compatibility. When enabled, if DI is high, Y-Z is positive for the full-duplex devices (LTC2851, LTC2852) and A-B is positive for the half-duplex device (LTC2850).

When the driver is disabled, both outputs are high impedance. For the full-duplex devices, the leakage on the driver output pins is guaranteed to be less than  $10\mu\text{A}$  over the entire common mode range of  $-7\text{V}$  to  $12\text{V}$ . On the half-duplex LTC2850, the impedance is dominated by the receiver input resistance,  $R_{\text{IN}}$ .

### Driver Overvoltage and Overcurrent Protection

The driver outputs are protected from short-circuits to any voltage within the Absolute Maximum range of ( $V_{\text{CC}} - 15\text{V}$ ) to  $15\text{V}$ . The typical peak current in this condition does not exceed  $180\text{mA}$ .

If a high driver output is shorted to a voltage just above  $V_{\text{CC}}$ , a reverse current will flow into the supply. When this voltage exceeds  $V_{\text{CC}}$  by about  $1.4\text{V}$ , the reverse current turns off. Preventing the driver from turning off with outputs shorted to output voltages just above  $V_{\text{CC}}$  keeps the driver active even for receiver loads that have a positive common mode with respect to the driver—a valid condition.

The worst-case peak reverse short-circuit current can be as high as  $300\text{mA}$  in extreme cold conditions. If this current can not be absorbed by the supply, a  $3.6\text{V}$  Zener diode can be added in parallel with the supply to sink this current.

All devices also feature thermal shutdown protection that disables the driver and receiver in case of excessive power dissipation (see Note 4 in the Electrical Characteristics section).

### Receiver and Failsafe

With the receiver enabled, when the absolute value of the differential voltage between the A and B pins is greater than  $200\text{mV}$ , the state of RO will reflect the polarity of (A-B)

These parts have a failsafe feature that guarantees the receiver output to be in a logic-high state when the inputs

are either shorted, left open, or terminated but not driven. This failsafe feature is guaranteed to work for inputs spanning the entire common mode range of  $-7\text{V}$  to  $12\text{V}$ .

The receiver output is internally driven high (to  $V_{\text{CC}}$ ) or low (to ground) with no external pull-up needed. When the receiver is disabled the RO pin becomes Hi-Z with leakage of less than  $\pm 1\mu\text{A}$  for voltages within the supply range.

### Receiver Input Resistance

The receiver input resistance from A or B to ground is guaranteed to be greater than  $96\text{k}$  (C-, I-grade). This is  $8\text{x}$  higher than the requirements for the RS485 standard and thus this receiver represents a one-eighth unit load. This, in turn, means that  $8\text{x}$  the standard number of receivers, or  $256$  total, can be connected to a line without loading it beyond what is specified in the RS485 standard. The receiver input resistance from A or B to ground on high temperature H-grade parts is greater than  $48\text{k}$  providing a one-quarter unit load. The high input resistance of the receiver is maintained whether it is enabled or disabled, powered or unpowered.

### Supply Current

The unloaded static supply currents in these devices are very low, typically under  $500\mu\text{A}$  for all modes of operation. In applications with resistively terminated cables, the supply current is dominated by the driver load. For example, when using two  $120\Omega$  terminators with a differential driver output voltage of  $2\text{V}$ , the DC load current is  $33\text{mA}$ , which is sourced by the positive voltage supply. Power supply current increases with toggling data due to capacitive loading and this term can increase significantly at high data rates. Figure 13 shows supply current vs data rate for two different capacitive loads for the circuit configuration of Figure 4.

### High Speed Considerations

A ground plane layout is recommended. A  $0.1\mu\text{F}$  bypass capacitor less than one-quarter inch away from the  $V_{\text{CC}}$  pin is also recommended. The PC board traces connected to signals A/B and Z/Y should be symmetrical and as short as possible to maintain good differential signal integrity.

APPLICATIONS INFORMATION



Figure 13. Supply Current vs Data Rate

To minimize capacitive effects, the differential signals should be separated by more than the width of a trace and should not be routed on top of each other if they are on different signal planes.

Care should be taken to route outputs away from any sensitive inputs to reduce feedback effects that might cause noise, jitter, or even oscillations. For example, in the full-duplex devices, DI and A/B should not be routed near the driver or receiver outputs.

The logic inputs have 150mV of hysteresis to provide noise immunity. Fast edges on the outputs can cause glitches in the ground and power supplies which are exacerbated by capacitive loading. If a logic input is held near its threshold (typically 1.5V), a noise glitch from a driver transition may exceed the hysteresis levels on the logic and data input pins causing an unintended state change. This can be avoided by maintaining normal logic levels on the pins and by slewing inputs through their thresholds by faster than 1V/μs when transitioning. Good supply decoupling and proper driver termination also reduce glitches caused by driver transitions.

Cable Length vs Data Rate

For a given data rate, the maximum transmission distance is bounded by the cable properties. A curve of cable length vs data rate compliant with the RS485/RS422 standards is shown in Figure 14. Three regions of this curve reflect different performance limiting factors in data transmission. In the flat region of the curve, maximum distance is determined by resistive losses in the cable. The downward sloping region represents limits in distance and data rate due to AC losses in the cable. The solid vertical line represents the specified maximum data rate in the RS485/RS422 standards. The dashed lines at 20Mbps show the maximum data rates of the LTC2850, LTC2851 and LTC2852.



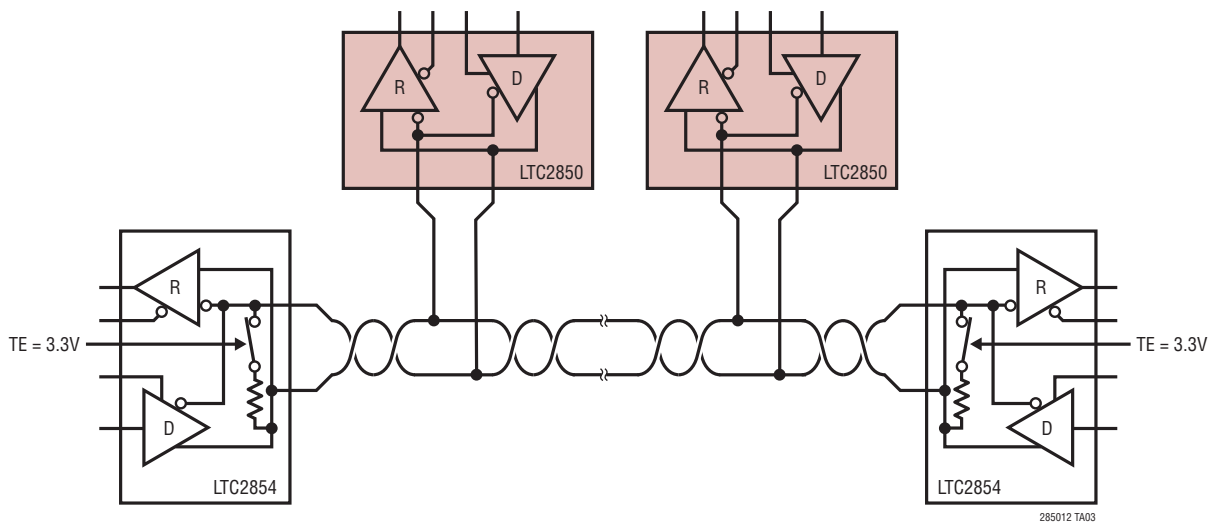
Figure 14. Cable Length vs Data Rate (RS485/RS422 Standard Shown in Solid Line)

## TYPICAL APPLICATIONS

Failsafe "0" Application (Idle State = Logic "0")



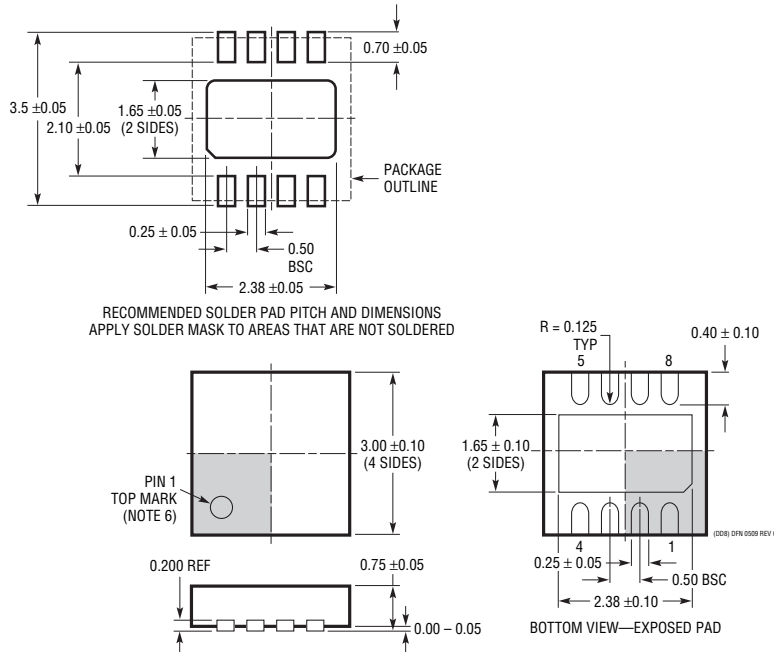
Multinode Network with End Termination Using the LTC2850 and LTC2854



## PACKAGE DESCRIPTION

Please refer to <http://www.linear.com/designtools/packaging/> for the most recent package drawings.

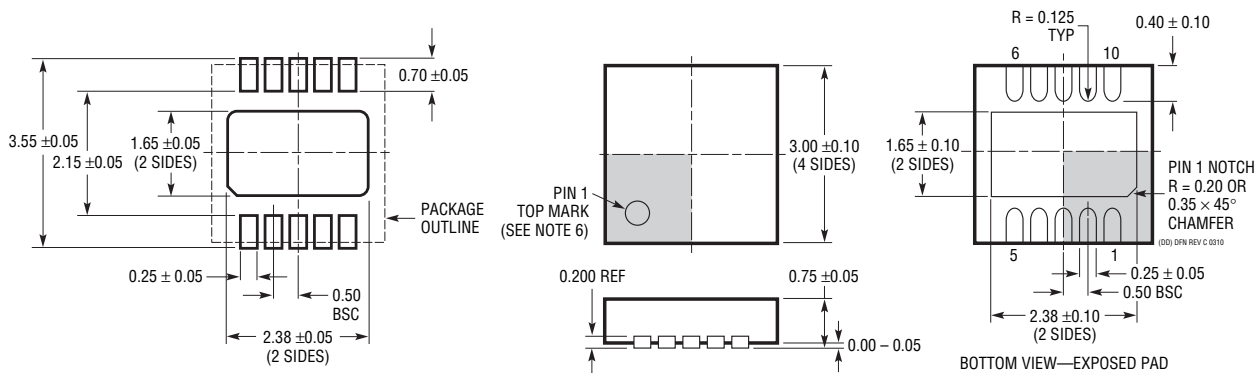
### DD Package 8-Lead Plastic DFN (3mm × 3mm) (Reference LTC DWG # 05-08-1698 Rev C)



RECOMMENDED SOLDER PAD PITCH AND DIMENSIONS  
APPLY SOLDER MASK TO AREAS THAT ARE NOT SOLDERED

- NOTE:
1. DRAWING TO BE MADE A JEDEC PACKAGE OUTLINE MO-229 VARIATION OF (WEED-1)
  2. DRAWING NOT TO SCALE
  3. ALL DIMENSIONS ARE IN MILLIMETERS
  4. DIMENSIONS OF EXPOSED PAD ON BOTTOM OF PACKAGE DO NOT INCLUDE MOLD FLASH. MOLD FLASH, IF PRESENT, SHALL NOT EXCEED 0.15mm ON ANY SIDE
  5. EXPOSED PAD SHALL BE SOLDER PLATED
  6. SHADED AREA IS ONLY A REFERENCE FOR PIN 1 LOCATION ON TOP AND BOTTOM OF PACKAGE

### DD Package 10-Lead Plastic DFN (3mm × 3mm) (Reference LTC DWG # 05-08-1699 Rev C)



RECOMMENDED SOLDER PAD PITCH AND DIMENSIONS

- NOTE:
1. DRAWING TO BE MADE A JEDEC PACKAGE OUTLINE MO-229 VARIATION OF (WEED-2). CHECK THE LTC WEBSITE DATA SHEET FOR CURRENT STATUS OF VARIATION ASSIGNMENT
  2. DRAWING NOT TO SCALE
  3. ALL DIMENSIONS ARE IN MILLIMETERS
  4. DIMENSIONS OF EXPOSED PAD ON BOTTOM OF PACKAGE DO NOT INCLUDE MOLD FLASH. MOLD FLASH, IF PRESENT, SHALL NOT EXCEED 0.15mm ON ANY SIDE
  5. EXPOSED PAD SHALL BE SOLDER PLATED
  6. SHADED AREA IS ONLY A REFERENCE FOR PIN 1 LOCATION ON THE TOP AND BOTTOM OF PACKAGE

285012fe

# PACKAGE DESCRIPTION

Please refer to <http://www.linear.com/designtools/packaging/> for the most recent package drawings.

## MS8 Package 8-Lead Plastic MSOP

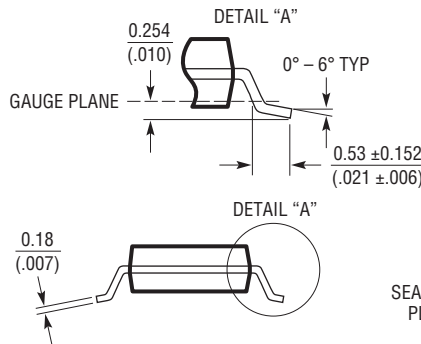
(Reference LTC DWG # 05-08-1660 Rev G)



RECOMMENDED SOLDER PAD LAYOUT

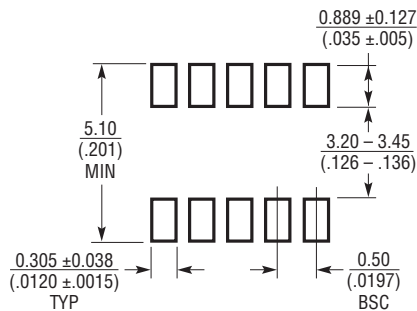
NOTE:

1. DIMENSIONS IN MILLIMETER/(INCH)
2. DRAWING NOT TO SCALE
3. DIMENSION DOES NOT INCLUDE MOLD FLASH, PROTRUSIONS OR GATE BURRS.  
MOLD FLASH, PROTRUSIONS OR GATE BURRS SHALL NOT EXCEED 0.152mm (.006") PER SIDE
4. DIMENSION DOES NOT INCLUDE INTERLEAD FLASH OR PROTRUSIONS.  
INTERLEAD FLASH OR PROTRUSIONS SHALL NOT EXCEED 0.152mm (.006") PER SIDE
5. LEAD COPLANARITY (BOTTOM OF LEADS AFTER FORMING) SHALL BE 0.102mm (.004") MAX



## MS Package 10-Lead Plastic MSOP

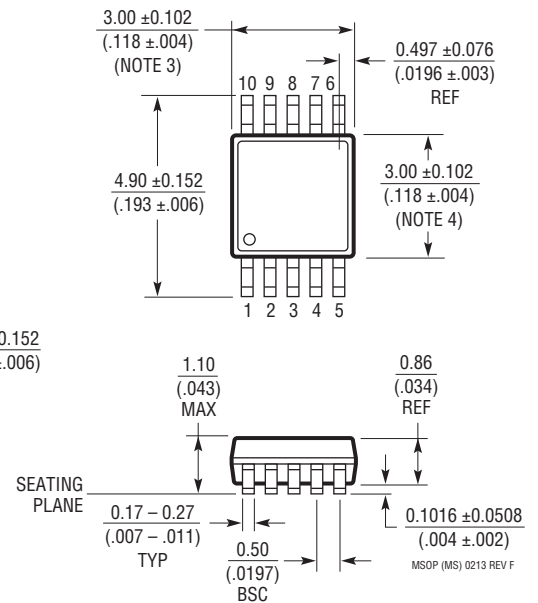
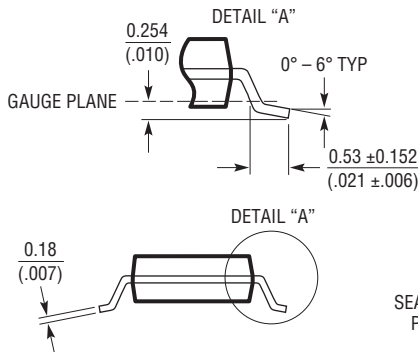
(Reference LTC DWG # 05-08-1661 Rev F)



RECOMMENDED SOLDER PAD LAYOUT

NOTE:

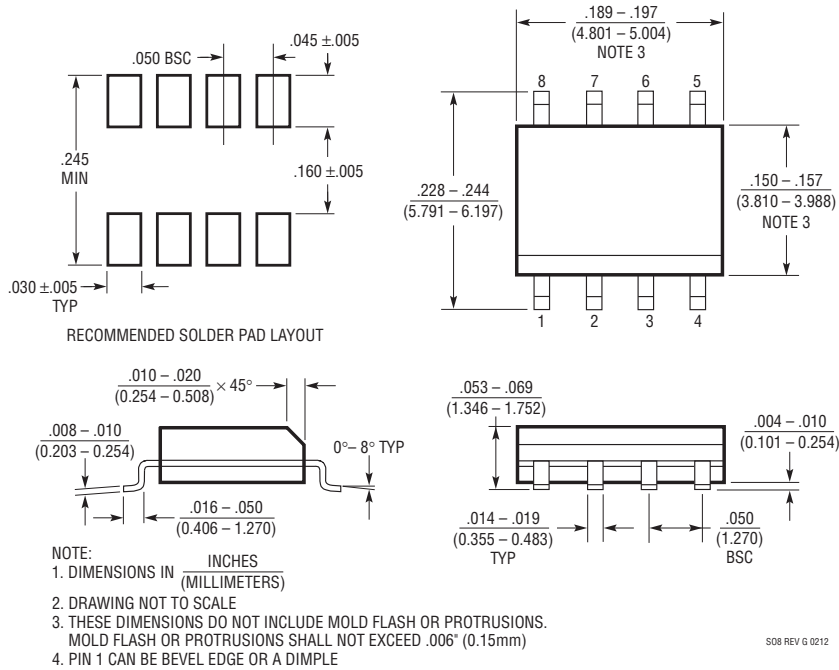
1. DIMENSIONS IN MILLIMETER/(INCH)
2. DRAWING NOT TO SCALE
3. DIMENSION DOES NOT INCLUDE MOLD FLASH, PROTRUSIONS OR GATE BURRS.  
MOLD FLASH, PROTRUSIONS OR GATE BURRS SHALL NOT EXCEED 0.152mm (.006") PER SIDE
4. DIMENSION DOES NOT INCLUDE INTERLEAD FLASH OR PROTRUSIONS.  
INTERLEAD FLASH OR PROTRUSIONS SHALL NOT EXCEED 0.152mm (.006") PER SIDE
5. LEAD COPLANARITY (BOTTOM OF LEADS AFTER FORMING) SHALL BE 0.102mm (.004") MAX



## PACKAGE DESCRIPTION

Please refer to <http://www.linear.com/designtools/packaging/> for the most recent package drawings.

### S8 Package 8-Lead Plastic Small Outline (Narrow .150 Inch) (Reference LTC DWG # 05-08-1610 Rev G)



### S Package 14-Lead Plastic Small Outline (Narrow .150 Inch) (Reference LTC DWG # 05-08-1610 Rev G)



**REVISION HISTORY** (Revision history begins at Rev D)

| REV | DATE  | DESCRIPTION  | PAGE NUMBER   |
|-----|-------|--|---------------|
| D   | 05/10 | Added military grade parts   | 2, 3          |
| E   | 06/15 | Added I <sub>OZD</sub> parameter for H-grade<br>Updated Package descriptions | 4<br>14 to 16 |

## TYPICAL APPLICATION



Full Duplex Network Using the LTC2852 and LTC2855

## RELATED PARTS

| PART NUMBER                         | DESCRIPTION   | COMMENTS  |
|-------------------------------------|---|---|
| <a href="#">LTC485</a>              | Low Power RS485 Interface Transceiver                                       | $I_{CC} = 300\mu A$ (Typ)   |
| <a href="#">LTC491</a>              | Differential Driver and Receiver Pair                                       | $I_{CC} = 300\mu A$   |
| <a href="#">LTC1480</a>             | 3.3V Ultralow Power RS485 Transceiver                                       | 3.3V Operation  |
| <a href="#">LTC1483</a>             | Ultralow Power RS485 Low EMI Transceiver                                    | Controlled Driver Slew Rate   |
| <a href="#">LTC1485</a>             | Differential Bus Transceiver  | 10Mbps Operation  |
| <a href="#">LTC1487</a>             | Ultralow Power RS485 with Low EMI, Shutdown and High Input Impedance        | Up to 256 Transceiver on the Bus  |
| <a href="#">LTC1520</a>             | 50Mbps Precision Quad Line Receiver   | Channel-to-Channel Skew 400ps (Typ)   |
| <a href="#">LTC1535</a>             | Isolated RS485 Full-Duplex Transceiver                                      | 2500V <sub>RMS</sub> Isolation in Surface Mount Package   |
| <a href="#">LTC1685</a>             | 52Mbps RS485 Transceiver with Precision Delay                               | Propagation Delay Skew 500ps (Typ)  |
| <a href="#">LT1785</a>              | 60V Fault Protected RS485 Transceiver                                       | 60V Tolerant, 15kV ESD  |
| <a href="#">LTC2854/LTC2855</a>     | 3.3V 20Mbps RS485/RS422 Transceivers with Integrated Switchable Termination | 3.3V Operation, Integrated, Switchable, 120Ω Termination Resistor, 25kV ESD (LTC2854), 15kV ESD (LTC2855) |
| <a href="#">LTC2856-1</a>           | 20Mbps and Slew Rate-Limited, 15kV RS485/RS422 Transceiver                  | 15kV ESD  |
| <a href="#">LTC2859/LTC2861</a>     | 20Mbps RS485/RS422 Transceiver with Integrated Switchable Termination       | Integrated, Switchable, 120Ω Termination Resistor, 15kV ESD   |
| <a href="#">LTC2862/LTC2865</a>     | ±60V Fault Protected 3V to 5.5V RS485/RS422 Transceivers                    | 20Mbps, Protected from Overvoltage Line Faults to ±60V, 15kV ESD  |
| <a href="#">LTM<sup>®</sup>2881</a> | Complete Isolated RS485/RS422 μModule <sup>®</sup> Transceiver + Power      | 2500V <sub>RMS</sub> Isolation in Surface Mount BGA or LGA  |

## Looking for pricing, stock, or lifecycle information?

Click below to explore more details on WIN SOURCE:

 [View LTC2850CS8#PBF on WIN SOURCE](#)

 [Linear Technology](#) Information

## Optimize Your Supply Chain with WIN SOURCE Solutions

-  Global Sourcing Solution
-  Obsolete Management
-  Cost Control Management
-  Shortage Management
-  Alternative Solution
-  Excess Inventory Management