



**THE DATASHEET OF
LTC1591-1IG#PBF**

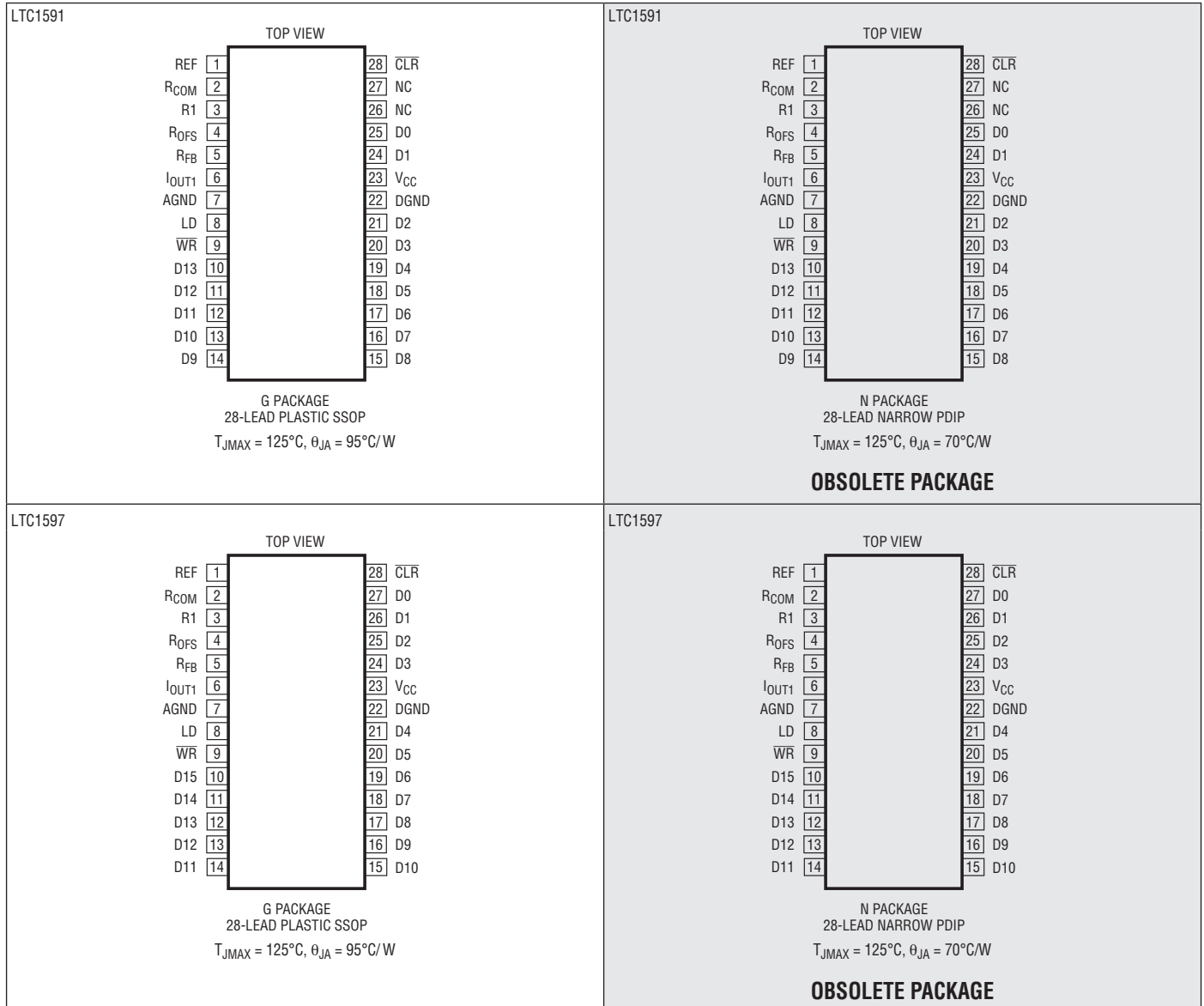


LTC1591/LTC1597

ABSOLUTE MAXIMUM RATINGS (Note 1)

V_{CC} to AGND	-0.5V to 7V	Operating Temperature Range	
V_{CC} to DGND	-0.5V to 7V	LTC1591C/LTC1591-1C	
AGND to DGND	$V_{CC} + 0.5V$	LTC1597C/LTC1597-1C	0°C to 70°C
DGND to AGND	$V_{CC} + 0.5V$	LTC1591I/LTC1591-1I	
REF, R _{OFS} , R _{FB} , R1, R _{COM} to AGND, DGND	±25V	LTC1597I/LTC1597-1I	-40°C to 85°C
Digital Inputs to DGND	-0.5V to ($V_{CC} + 0.5V$)	Storage Temperature Range	-65°C to 150°C
I _{OUT1} to AGND	-0.5V to ($V_{CC} + 0.5V$)	Lead Temperature (Soldering, 10 sec)	300°C
Maximum Junction Temperature	125°C		

PIN CONFIGURATION



ORDER INFORMATION

LEAD FREE FINISH	TAPE AND REEL	PART MARKING	PACKAGE DESCRIPTION	TEMPERATURE RANGE
LTC1591CG#PBF	LTC1591CG#TRPBF	LTC1591CG	28-Lead Plastic SSOP	0°C to 70°C
LTC1591-1CG#PBF	LTC1591-1CG#TRPBF	LTC1591-1CG	28-Lead Plastic SSOP	0°C to 70°C
LTC1591IG#PBF	LTC1591IG#TRPBF	LTC1591IG	28-Lead Plastic SSOP	-40°C to 85°C
LTC1591-1IG#PBF	LTC1591-1IG#TRPBF	LTC1591-1IG	28-Lead Plastic SSOP	-40°C to 85°C
LTC1597ACG#PBF	LTC1597ACG#TRPBF	LTC1597ACG	28-Lead Plastic SSOP	0°C to 70°C
LTC1597-1ACG#PBF	LTC1597-1ACG#TRPBF	LTC1597-1ACG	28-Lead Plastic SSOP	0°C to 70°C
LTC1597BCG#PBF	LTC1597BCG#TRPBF	LTC1597BCG	28-Lead Plastic SSOP	0°C to 70°C
LTC1597-1BCG#PBF	LTC1597-1BCG#TRPBF	LTC1597-1BCG	28-Lead Plastic SSOP	0°C to 70°C
LTC1597AIG#PBF	LTC1597AIG#TRPBF	LTC1597AIG	28-Lead Plastic SSOP	-40°C to 85°C
LTC1597-1AIG#PBF	LTC1597-1AIG#TRPBF	LTC1597-1AIG	28-Lead Plastic SSOP	-40°C to 85°C
LTC1597BIG#PBF	LTC1597BIG#TRPBF	LTC1597BIG	28-Lead Plastic SSOP	-40°C to 85°C
LTC1597-1BIG#PBF	LTC1597-1BIG#TRPBF	LTC1597-1BIG	28-Lead Plastic SSOP	-40°C to 85°C
OBSOLETE PACKAGE				
LTC1591CN#PBF	LTC1591CN#TRPBF	LTC1591CN	28-Lead Narrow PDIP	0°C to 70°C
LTC1591-1CN#PBF	LTC1591-1CN#TRPBF	LTC1591-1CN	28-Lead Narrow PDIP	0°C to 70°C
LTC1591IN#PBF	LTC1591IN#TRPBF	LTC1591IN	28-Lead Narrow PDIP	-40°C to 85°C
LTC1591-1IN#PBF	LTC1591-1IN#TRPBF	LTC1591-1IN	28-Lead Narrow PDIP	-40°C to 85°C
LTC1597ACN#PBF	LTC1597ACN#TRPBF	LTC1597ACN	28-Lead Narrow PDIP	0°C to 70°C
LTC1597-1ACN#PBF	LTC1597-1ACN#TRPBF	LTC1597-1ACN	28-Lead Narrow PDIP	0°C to 70°C
LTC1597BCN#PBF	LTC1597BCN#TRPBF	LTC1597BCN	28-Lead Narrow PDIP	0°C to 70°C
LTC1597-1BCN#PBF	LTC1597-1BCN#TRPBF	LTC1597-1BCN	28-Lead Narrow PDIP	0°C to 70°C
LTC1597AIN#PBF	LTC1597AIN#TRPBF	LTC1597AIN	28-Lead Narrow PDIP	-40°C to 85°C
LTC1597-1AIN#PBF	LTC1597-1AIN#TRPBF	LTC1597-1AIN	28-Lead Narrow PDIP	-40°C to 85°C
LTC1597BIN#PBF	LTC1597BIN#TRPBF	LTC1597BIN	28-Lead Narrow PDIP	-40°C to 85°C
LTC1597-1BIN#PBF	LTC1597-1BIN#TRPBF	LTC1597-1BIN	28-Lead Narrow PDIP	-40°C to 85°C

Consult LTC Marketing for parts specified with wider operating temperature ranges.

Consult LTC Marketing for information on nonstandard lead based finish parts.

For more information on lead free part markings, go to: <http://www.linear.com/leadfree/>

For more information on tape and reel specifications, go to: <http://www.linear.com/tapeandreel/>

ELECTRICAL CHARACTERISTICS

$V_{CC} = 5V \pm 10\%$, $V_{REF} = 10V$, $I_{OUT1} = AGND = DGND = 0V$, $T_A = T_{MIN}$ to T_{MAX} , unless otherwise noted.

SYMBOL	PARAMETER	CONDITIONS	LTC1591/-1			LTC1597B/-1B			LTC1597A/-1A			UNITS	
			MIN	TYP	MAX	MIN	TYP	MAX	MIN	TYP	MAX		
Accuracy													
	Resolution		●	14		16		16				Bits	
	Monotonicity		●	14		16		16				Bits	
INL	Integral Nonlinearity	(Note 2) $T_A = 25^\circ C$ T_{MIN} to T_{MAX}	●		± 1		± 2		± 0.25	± 1		LSB	
					± 1		± 2		± 0.35	± 1		LSB	
DNL	Differential Nonlinearity	$T_A = 25^\circ C$ T_{MIN} to T_{MAX}	●		± 1		± 1		± 0.2	± 1		LSB	
					± 1		± 1		± 0.2	± 1		LSB	
GE	Gain Error	Unipolar Mode (Note 3) $T_A = 25^\circ C$ T_{MIN} to T_{MAX}	●		± 4		± 16		2	± 16		LSB	
				± 6		± 24		3	± 16		LSB		
		Bipolar Mode (Note 3) $T_A = 25^\circ C$ T_{MIN} to T_{MAX}	●		± 4		± 16		2	± 16		LSB	
					± 6		± 24		3	± 16		LSB	
	Gain Temperature Coefficient	(Note 4) $\Delta Gain/\Delta Temperature$	●	1	2		1	2		1	2	ppm/ $^\circ C$	
	Bipolar Zero-Scale Error	$T_A = 25^\circ C$ T_{MIN} to T_{MAX}	●		± 3		± 10			± 5		LSB	
					± 5		± 16			± 8		LSB	
I_{LKG}	OUT1 Leakage Current	(Note 5) $T_A = 25^\circ C$ T_{MIN} to T_{MAX}	●		± 5		± 5			± 5		nA	
					± 15		± 15			± 15		nA	
PSRR	Power Supply Rejection Ratio	$V_{CC} = 5V \pm 10$	●		± 0.1	± 1		± 0.4	± 2		± 0.4	± 2	LSB/V

$V_{CC} = 5V \pm 10\%$, $V_{REF} = 10V$, $I_{OUT1} = AGND = DGND = 0V$, $T_A = T_{MIN}$ to T_{MAX} , unless otherwise noted.

SYMBOL	PARAMETER	CONDITIONS		MIN	TYP	MAX	UNITS
Reference Input							
R_{REF}	DAC Input Resistance (Unipolar)	(Note 6)	●	4.5	6	10	k Ω
R1/R2	R1/R2 Resistance (Bipolar)	(Notes 6, 13)	●	9	12	20	k Ω
R_{OFS} , R_{FB}	Feedback and Offset Resistances	(Note 6)	●	9	12	20	k Ω

AC Performance (Note 4)

	Output Current Settling Time	(Notes 7, 8)			1		μs
	Mid-Scale Glitch Impulse	(Note 12)			2		nV-s
	Digital-to-Analog Glitch Impulse	(Note 9)			1		nV-s
	Multiplying Feedthrough Error	$V_{REF} = \pm 10V$, 10kHz Sine Wave			1		mV _{P-P}
THD	Total Harmonic Distortion	(Note 10)			108		dB
	Output Noise Voltage Density	(Note 11)			10		nV/ \sqrt{Hz}
	Harmonic Distortion (Digital Waveform Generation)	Unipolar Mode (Note 14)					
		2nd Harmonic			94		dB
		3rd Harmonic			101		dB
		SFDR			94		dB
		Bipolar Mode (Note 14)					
		2nd Harmonic			94		dB
		3rd Harmonic			101		dB
		SFDR			94		dB

ELECTRICAL CHARACTERISTICS

The ● denotes specifications that apply over the full operating temperature range. $V_{CC} = 5V \pm 10\%$, $V_{REF} = 10V$, $I_{OUT1} = AGND = DGND = 0V$, $T_A = T_{MIN}$ to T_{MAX} , unless otherwise noted.

SYMBOL	PARAMETER	CONDITIONS	MIN	TYP	MAX	UNITS	
Analog Outputs (Note 4)							
C_{OUT}	Output Capacitance (Note 4)	DAC Register Loaded to All 1s: C_{OUT1}	●	115	130	pF	
		DAC Register Loaded to All 0s: C_{OUT1}	●	70	80	pF	
Digital Inputs							
V_{IH}	Digital Input High Voltage		●	2.4		V	
V_{IL}	Digital Input low Voltage		●		0.8	V	
I_{IN}	Digital Input Current		●	0.001	± 1	μA	
C_{IN}	Digital Input Capacitance	(Note 4) $V_{IN} = 0V$	●		8	pF	
Timing Characteristics							
t_{DS}	Data to \overline{WR} Setup Time		●	60		ns	
t_{DH}	Data to \overline{WR} Hold Time		●	0		ns	
t_{WR}	\overline{WR} Pulse Width		●	60		ns	
t_{LD}	LD Pulse Width		●	110		ns	
t_{CLR}	Clear Pulse Width		●	60		ns	
t_{LWD}	\overline{WR} to LD Delay Time		●	0		ns	
Power Supply							
V_{DD}	Supply Voltage		●	4.5	5	5.5	V
I_{DD}	Supply Current	Digital Inputs = 0V or V_{CC}	●		10	μA	

Note 1: Stresses beyond those listed under Absolute Maximum Ratings may cause permanent damage to the device. Exposure to any Absolute Maximum Rating condition for extended periods may affect device reliability and lifetime.

Note 2: $\pm 1LSB = \pm 0.006\%$ of full scale = $\pm 61ppm$ of full scale for the LTC1591/LTC1591-1. $\pm 1LSB = \pm 0.0015\%$ of full scale = $\pm 15.3ppm$ of full scale for the LTC1597/LTC1597-1.

Note 3: Using internal feedback resistor.

Note 4: Guaranteed by design, not subject to test.

Note 5: $I_{(OUT1)}$ with DAC register loaded to all 0s.

Note 6: Typical temperature coefficient is 100ppm/°C.

Note 7: I_{OUT1} load = 100 Ω in parallel with 13pF.

Note 8: To 0.006% for a full-scale change, measured from the rising edge of LD for the LTC1591/LTC1591-1. To 0.0015% for a full-scale change, measured from the rising edge of LD for the LTC1597/LTC1597-1.

Note 9: $V_{REF} = 0V$. DAC register contents changed from all 0s to all 1s or all 1s to all 0s.

Note 10: $V_{REF} = 6V_{RMS}$ at 1kHz. DAC register loaded with all 1s.

Note 11: Calculation from $e_n = \sqrt{4kTRB}$ where: k = Boltzmann constant (J/°K), R = resistance (Ω), T = temperature (°K), B = bandwidth (Hz).

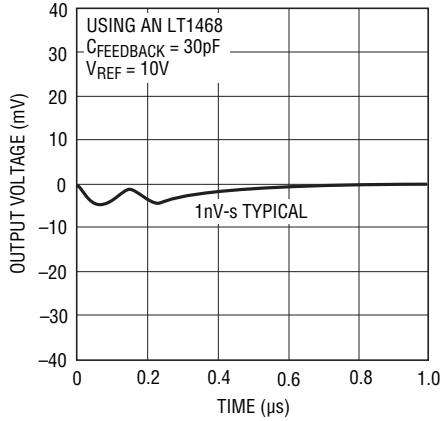
Note 12: Mid-scale transition code: 01 1111 1111 1111 to 10 0000 0000 0000 for the LTC1591/LTC1591-1 and 0111 1111 1111 1111 to 1000 0000 0000 0000 for the LTC1597/LTC1597-1.

Note 13: R1 and R2 are measured between R1 and R_{COM} , REF and R_{COM} .

Note 14: Measured using the LT1468 op amp in unipolar mode for I/V converter and LT1468 I/V and LT1001 reference inverter in bipolar mode. Sample Rate = 50kHz, Signal Frequency = 1kHz, $V_{REF} = 5V$, $T_A = 25^\circ C$.

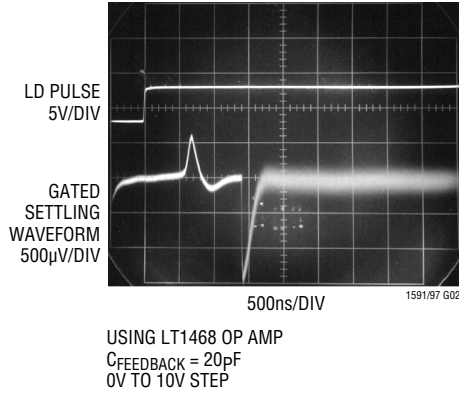
TYPICAL PERFORMANCE CHARACTERISTICS (LTC1591/LTC1597)

Mid-Scale Glitch Impulse



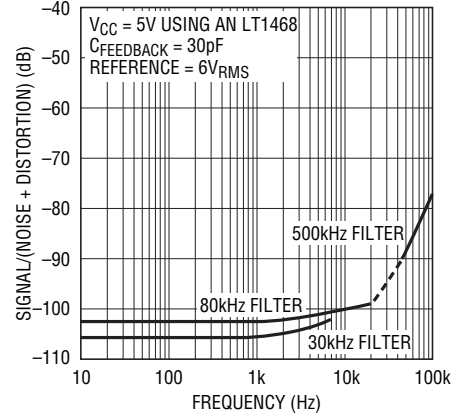
1591/97 G01

Full-Scale Settling Waveform



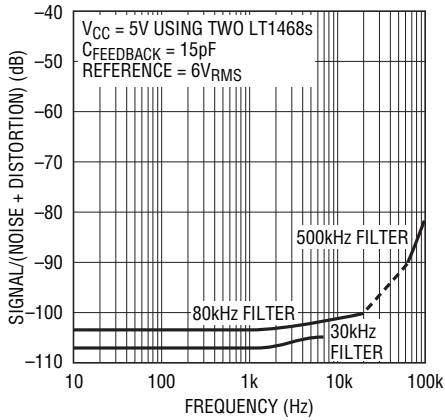
1591/97 G02

Unipolar Multiplying Mode Signal-to-(Noise + Distortion) vs Frequency



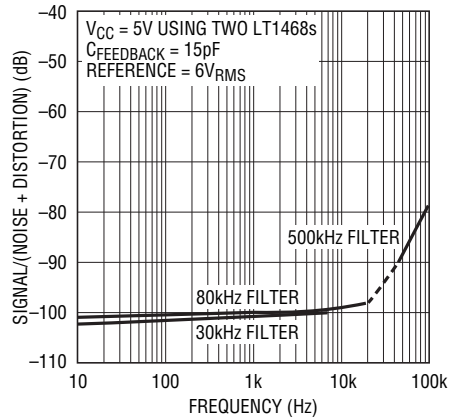
1591/97 G03

Bipolar Multiplying Mode Signal-to-(Noise + Distortion) vs Frequency, Code = All Zeros



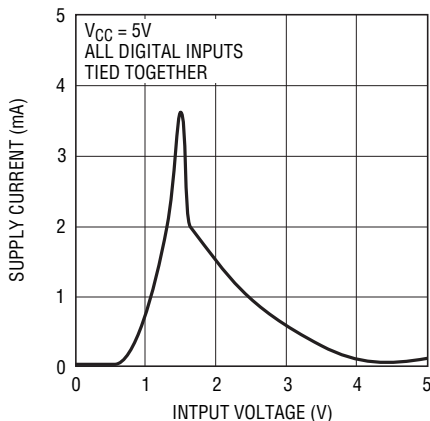
1591/97 G04

Bipolar Multiplying Mode Signal-to-(Noise + Distortion) vs Frequency, Code = All Ones



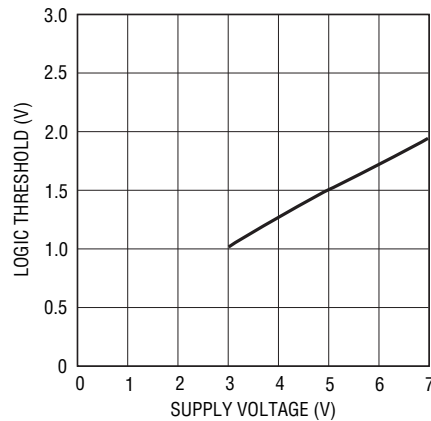
1591/97 G05

Supply Current vs Input Voltage



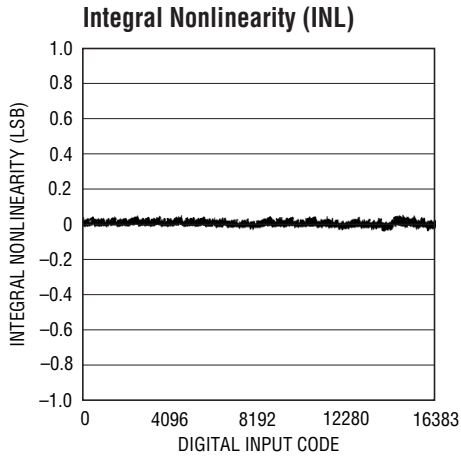
1591/97 G06

Logic Threshold vs Supply Voltage

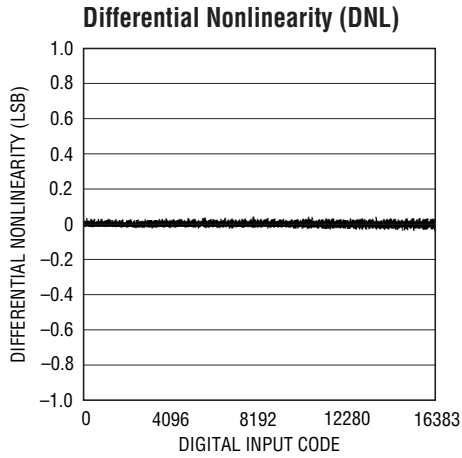


1591/97 G07

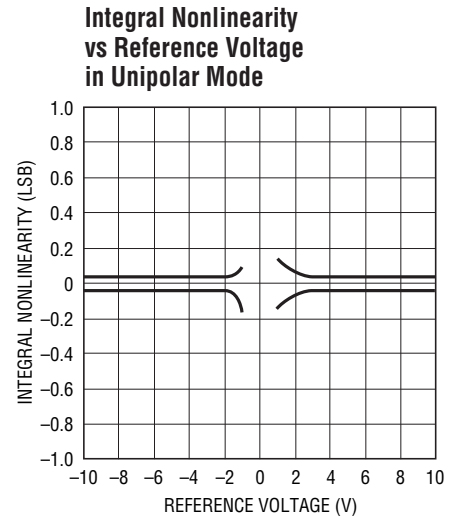
TYPICAL PERFORMANCE CHARACTERISTICS (LTC1591)



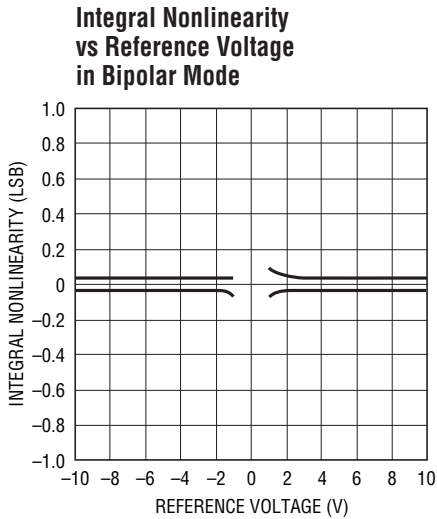
1591 G01



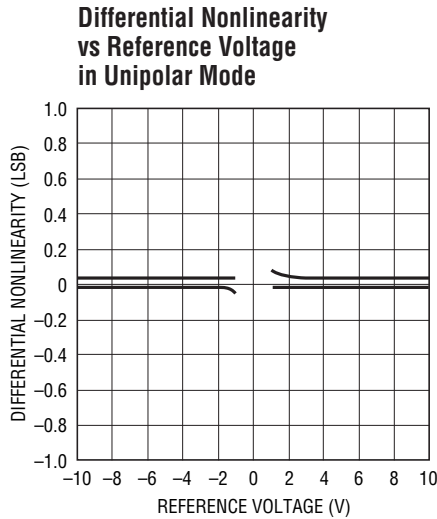
1591 G02



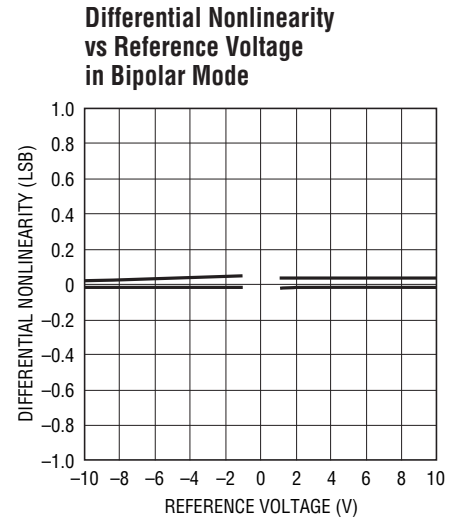
1591 G03



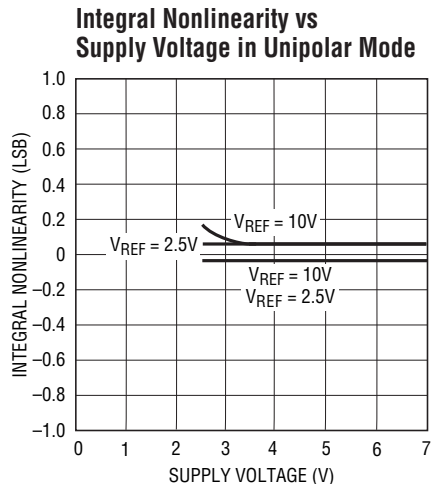
1591 G04



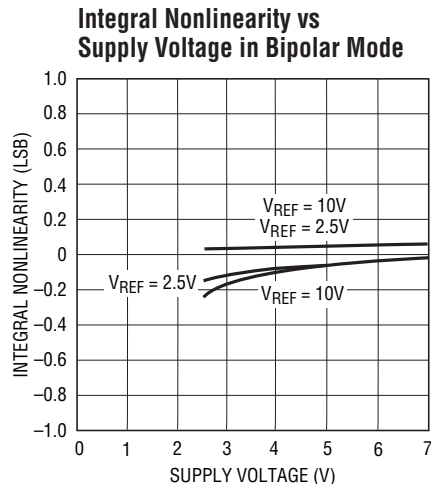
1591 G05



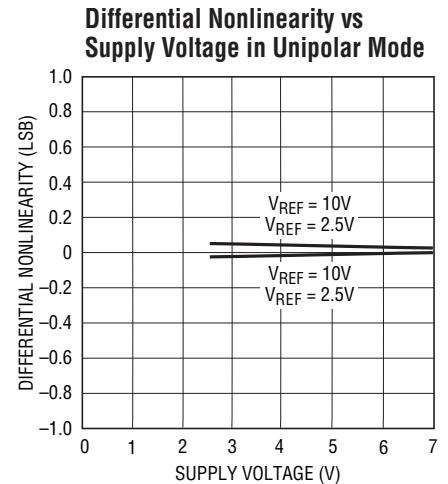
1591 G06



1591 G07



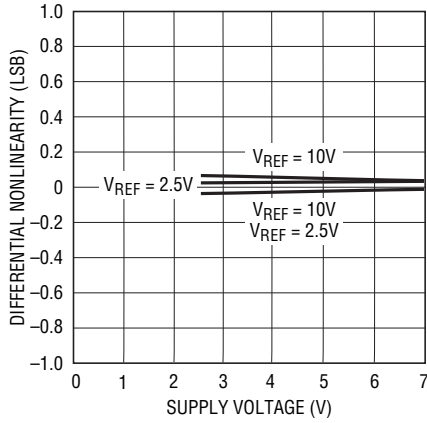
1591 G08



1591 G09

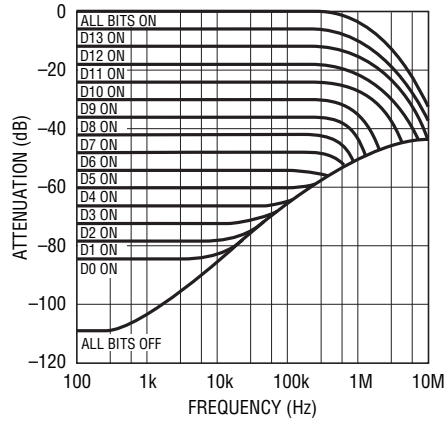
TYPICAL PERFORMANCE CHARACTERISTICS (LTC1591)

Differential Nonlinearity vs Supply Voltage in Bipolar Mode

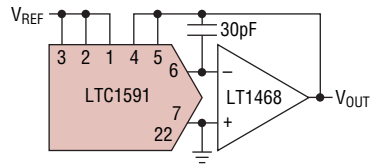


1591G10

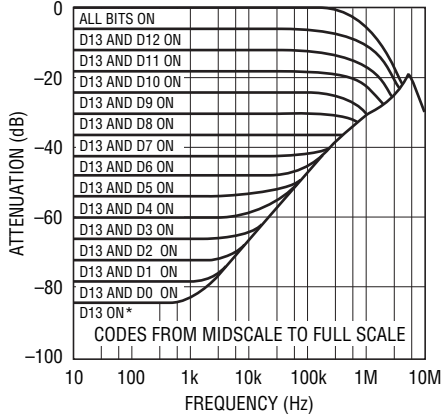
Unipolar Multiplying Mode Frequency Response vs Digital Code



1591G11



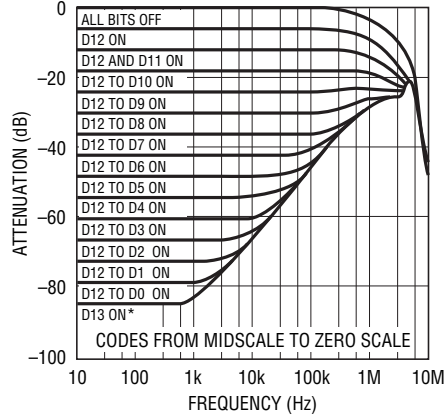
Bipolar Multiplying Mode Frequency Response vs Digital Code



1591G12

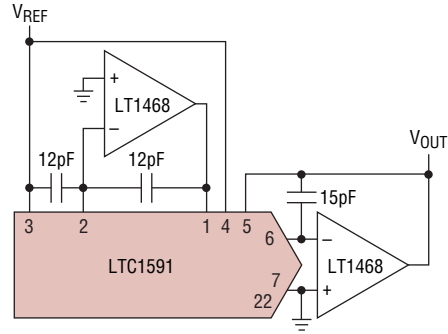
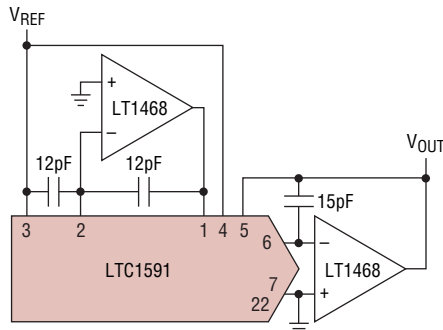
*DAC ZERO VOLTAGE OUTPUT LIMITED BY BIPOLAR ZERO ERROR TO -84dB TYPICAL (-70dB MAX)

Bipolar Multiplying Mode Frequency Response vs Digital Code



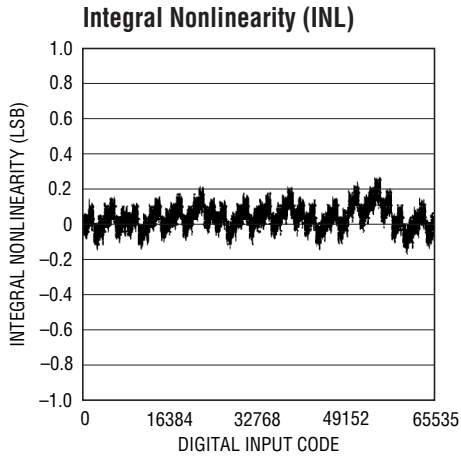
1591G13

*DAC ZERO VOLTAGE OUTPUT LIMITED BY BIPOLAR ZERO ERROR TO -84dB TYPICAL (-70dB MAX)

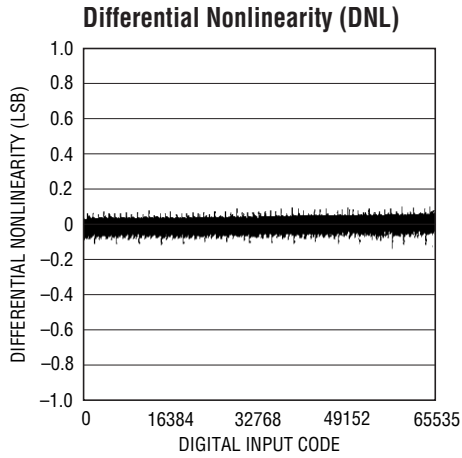


15917fb

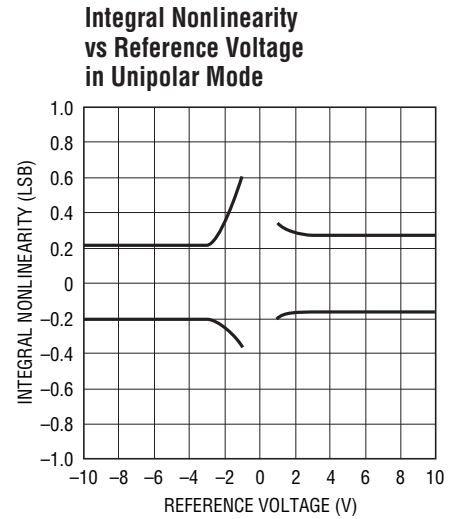
TYPICAL PERFORMANCE CHARACTERISTICS (LTC1597)



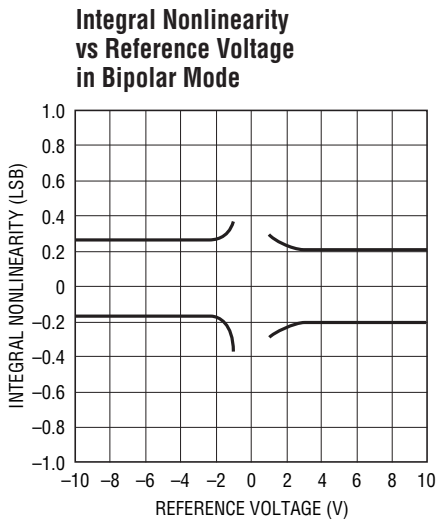
1597 G01



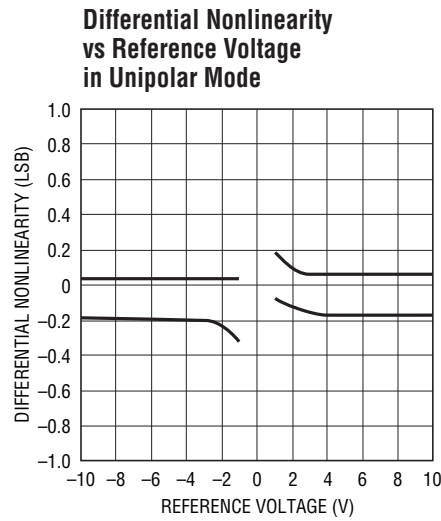
1597 G02



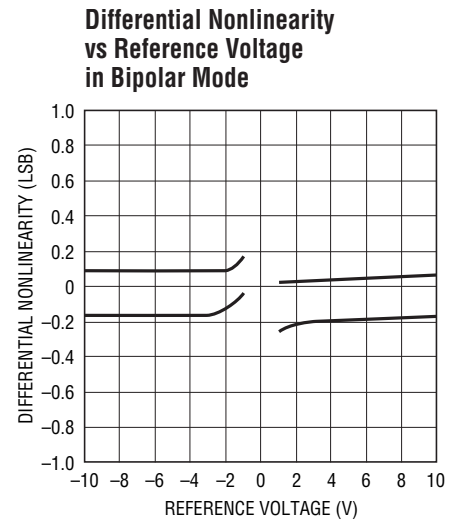
1597 G03



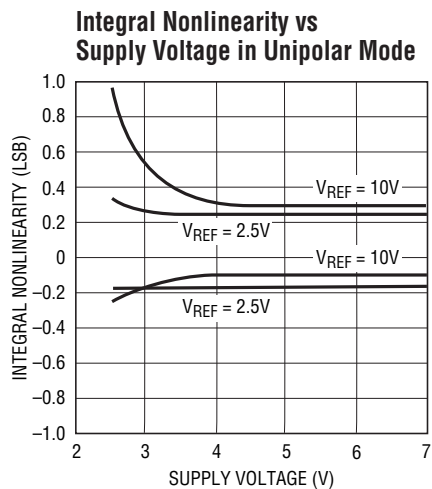
1597 G04



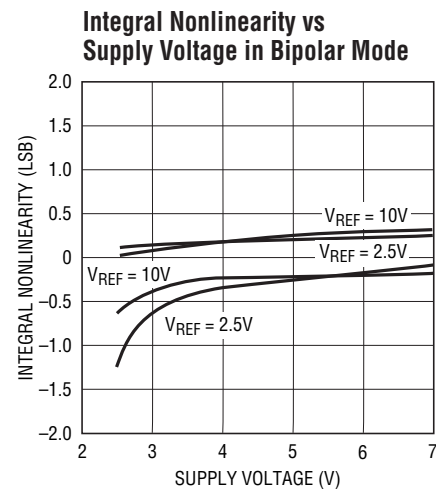
1597 G05



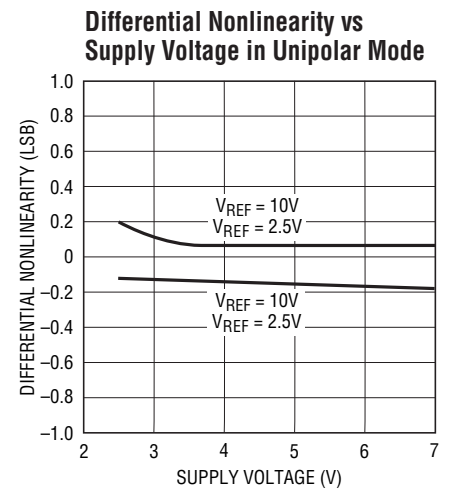
1597 G06



1597 G07



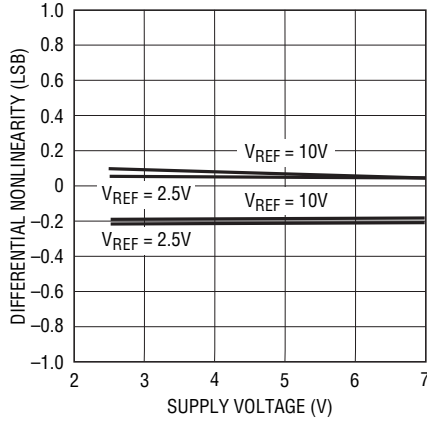
1597 G08



1597 G09

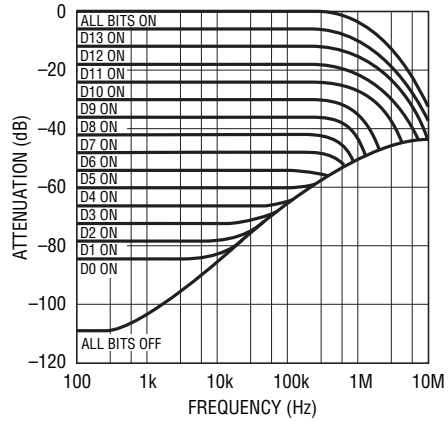
TYPICAL PERFORMANCE CHARACTERISTICS (LTC1597)

Differential Nonlinearity vs Supply Voltage in Bipolar Mode

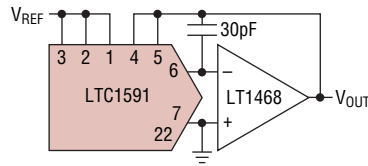


1597 G10

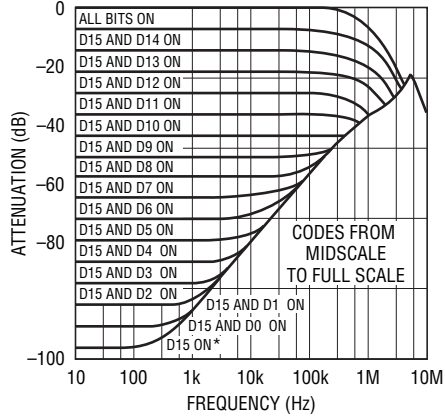
Unipolar Multiplying Mode Frequency Response vs Digital Code



1591G11

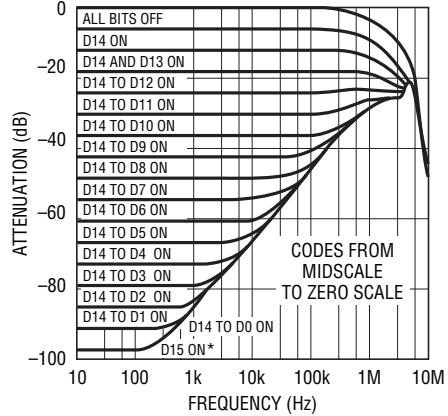


Bipolar Multiplying Mode Frequency Response vs Digital Code



1597 G12

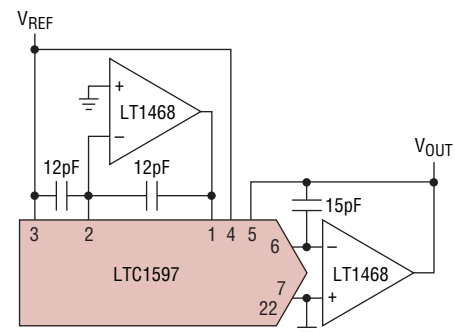
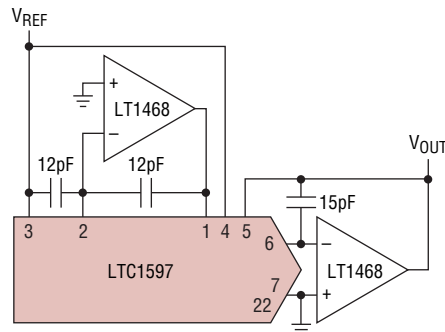
Bipolar Multiplying Mode Frequency Response vs Digital Code



1597 G13

*DAC ZERO VOLTAGE OUTPUT LIMITED BY BIPOLAR ZERO ERROR TO -96dB TYPICAL (-78dB MAX, A GRADE)

*DAC ZERO VOLTAGE OUTPUT LIMITED BY BIPOLAR ZERO ERROR TO -96dB TYPICAL (-78dB MAX, A GRADE)



15917fb

PIN FUNCTIONS

LTC1591

REF (Pin 1): Reference Input and 4-Quadrant Resistor R2. Typically $\pm 10V$, accepts up to $\pm 25V$. In 2-Quadrant mode this is the reference input. In 4-quadrant mode, this pin is driven by external inverting reference amplifier.

R_{COM} (Pin 2): Center Tap Point of the Two 4-Quadrant Resistors R1 and R2. Normally tied to the inverting input of an external amplifier in 4-quadrant operation, otherwise shorted to the REF pin. See Figures 1a and 2a.

R1 (Pin 3): 4-Quadrant Resistor R1. In 2-quadrant operation short to the REF pin. In 4-quadrant mode tie to R_{OFS} (Pin 4).

R_{OFS} (Pin 4): Bipolar Offset Resistor. Typically swings $\pm 10V$, accepts up to $\pm 25V$. In 2-quadrant operation tie to R_{FB}. In 4-quadrant operation tie to R1.

R_{FB} (Pin 5): Feedback Resistor. Normally tied to the output of the current to voltage converter op amp. Swings to $\pm V_{REF}$. V_{REF} is typically $\pm 10V$.

I_{OUT1} (Pin 6): DAC Current Output. Tie to the inverting input of the current to voltage converter op amp.

AGND (Pin 7): Analog Ground. Tie to ground.

LD (Pin 8): DAC Digital Input Load Control Input. When LD is taken to a logic high, data is loaded from the input register into the DAC register, updating the DAC output.

\overline{WR} (Pin 9): DAC Digital Write Control Input. When \overline{WR} is taken to a logic low, data is loaded from the digital input pins into the 14-bit wide input register.

DB13 to D2 (Pins 10 to 21): Digital Input Data Bits.

DGND (Pin 22): Digital Ground. Tie to ground.

V_{CC} (Pin 23): The Positive Supply Input. $4.5V \leq V_{CC} \leq 5.5V$. Requires a bypass capacitor to ground.

DB1, DB0 (Pins 24, 25): Digital Input Data Bits.

NC (Pins 26, 27): No Connect.

\overline{CLR} (Pin 28): Digital Clear Control Function for the DAC. When \overline{CLR} is taken to a logic low, it sets the DAC output and all internal registers to zero code for the LTC1591 and mid-scale code for the LTC1591-1.

PIN FUNCTIONS

LTC1597

REF (Pin 1): Reference Input and 4-Quadrant Resistor R2. Typically $\pm 10V$, accepts up to $\pm 25V$. In 2-Quadrant mode this is the reference input. In 4-quadrant mode, this pin is driven by external inverting reference amplifier.

R_{COM} (Pin 2): Center Tap Point of the Two 4-Quadrant Resistors R1 and R2. Normally tied to the inverting input of an external amplifier in 4-quadrant operation, otherwise shorted to the REF pin. See Figures 1b and 2b.

R1 (Pin 3): 4-Quadrant Resistor R1. In 2-quadrant operation short to the REF pin. In 4-quadrant mode tie to R_{OFS} (Pin 4).

R_{OFS} (Pin 4): Bipolar Offset Resistor. Typically swings $\pm 10V$, accepts up to $\pm 25V$. In 2-quadrant operation tie to R_{FB}. In 4-quadrant operation tie to R1.

R_{FB} (Pin 5): Feedback Resistor. Normally tied to the output of the current to voltage converter op amp. Swings to $\pm V_{REF}$. V_{REF} is typically $\pm 10V$.

I_{OUT1} (Pin 6): DAC Current Output. Tie to the inverting input of the current to voltage converter op amp.

AGND (Pin 7): Analog Ground. Tie to ground.

LD (Pin 8): DAC Digital Input Load Control Input. When LD is taken to a logic high, data is loaded from the input register into the DAC register, updating the DAC output.

\overline{WR} (Pin 9): DAC Digital Write Control Input. When \overline{WR} is taken to a logic low, data is loaded from the digital input pins into the 16-bit wide input register.

DB15 to D4 (Pins 10 to 21): Digital Input Data Bits.

DGND (Pin 22): Digital Ground. Tie to ground.

V_{CC} (Pin 23): The Positive Supply Input. $4.5V \leq V_{CC} \leq 5.5V$. Requires a bypass capacitor to ground.

DB3 to DB0 (Pins 24 to 27): Digital Input Data Bits.

\overline{CLR} (Pin 28): Digital Clear Control Function for the DAC. When \overline{CLR} is taken to a logic low, it sets the DAC output and all internal registers to zero code for the LTC1597 and mid-scale code for the LTC1597-1.

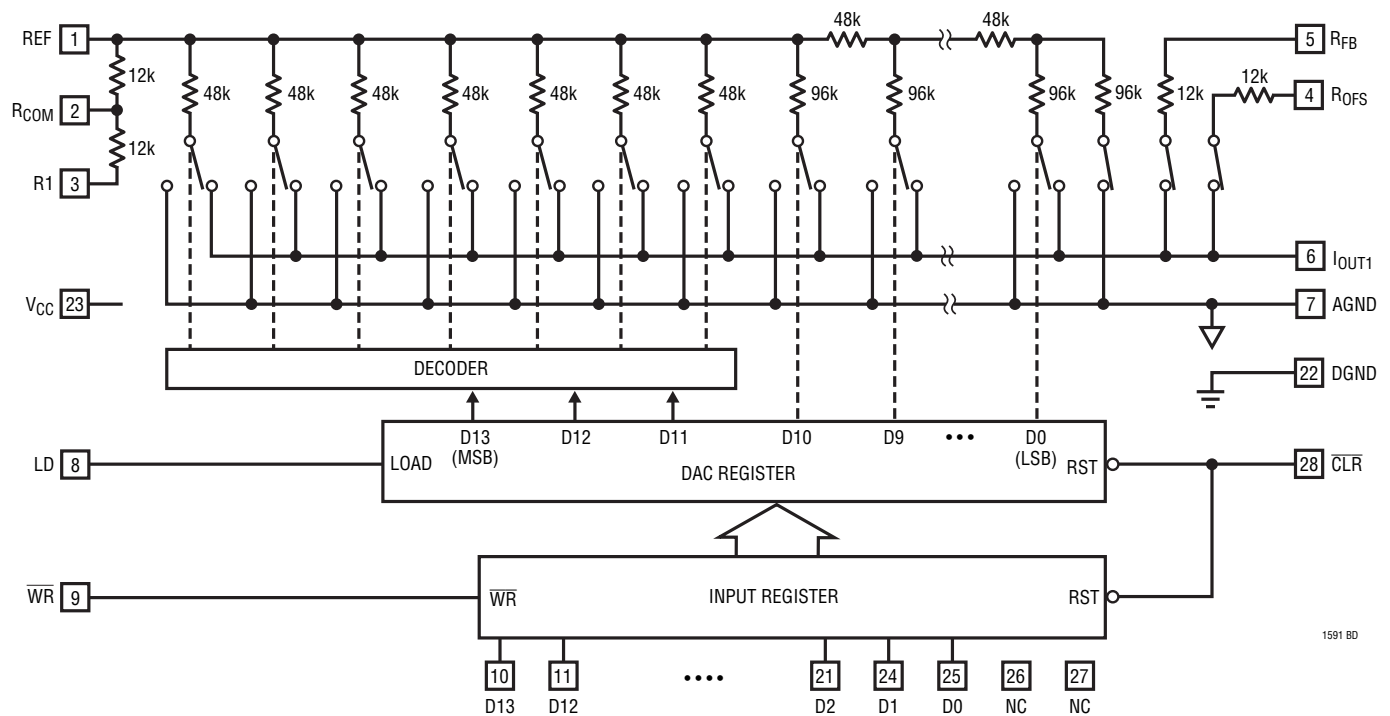
TRUTH TABLE

Table 1

CONTROL INPUTS			REGISTER OPERATION
CLR	WR	LD	
0	X	X	Reset Input and DAC Register to All 0s for LTC1591/LTC1597 and Mid-Scale for LTC1591-1/LTC1597-1 (Asynchronous Operation)
1	0	0	Load Input Register with All 14/16 Data Bits
1	1	1	Load DAC Register with the Contents of the Input Register
1			Input and DAC Register Are Transparent
1			CLK = LD and WR Tied Together. The 14/16 Data Bits Are Loaded into the Input Register on the Falling Edge of the CLK and Then Loaded into the DAC Register on the Rising Edge of the CLK
1	1	0	No Register Operation

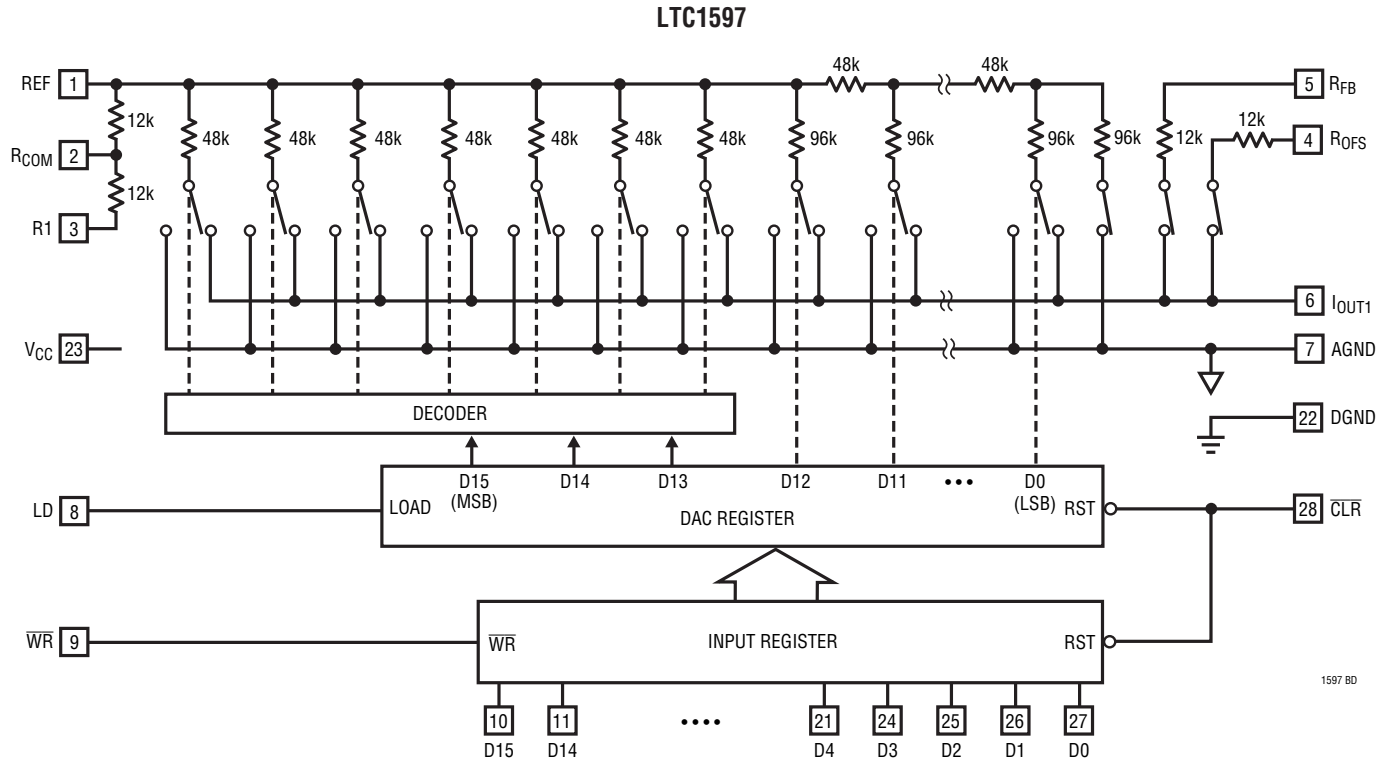
BLOCK DIAGRAMS

LTC1591

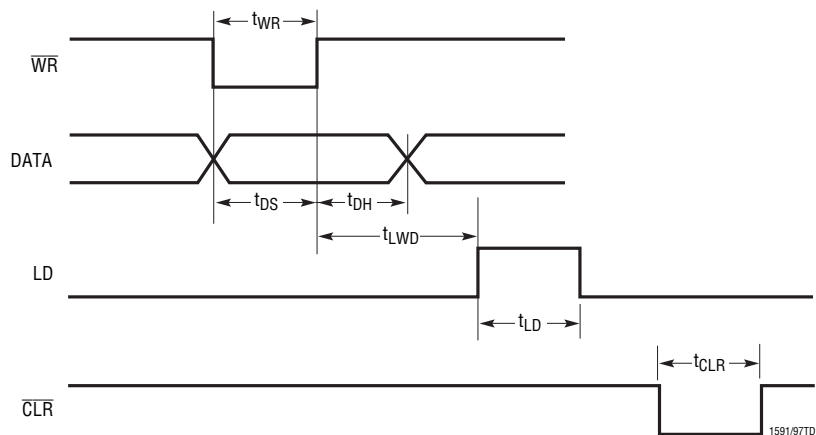


15917 BD

BLOCK DIAGRAMS



TIMING DIAGRAM



APPLICATIONS INFORMATION

Description

The LTC1591/LTC1597 are 14-/16-bit multiplying, current output DACs with a full parallel 14-/16-bit digital interface. The devices operate from a single 5V supply and provide both unipolar 0V to $-10V$ or 0V to 10V and bipolar $\pm 10V$ output ranges from a 10V or $-10V$ reference input. They have three additional precision resistors on chip for bipolar operation. Refer to the block diagrams regarding the following description.

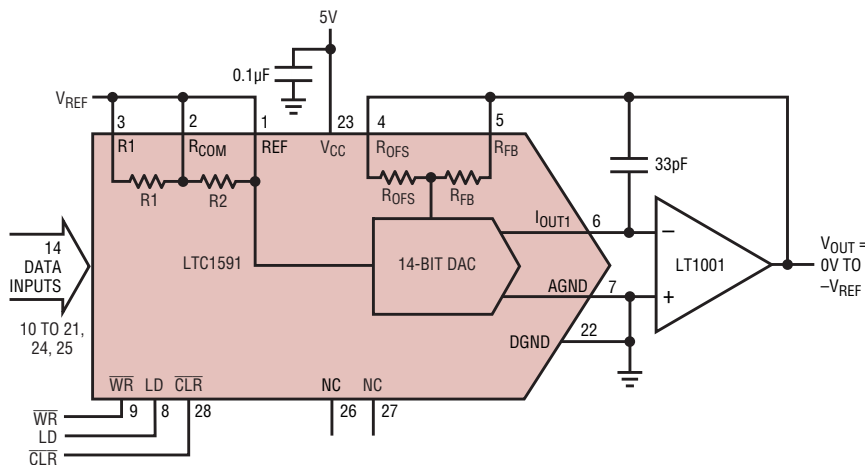
The 14-/16-bit DACs consist of a precision R-2R ladder for the 11/13LSBs. The 3MSBs are decoded into seven segments of resistor value R. Each of these segments and the R-2R ladder carries an equally weighted current of one eighth of full scale. The feedback resistor R_{FB} and 4-quadrant resistor R_{OFS} have a value of $R/4$. 4-quadrant resistors R1 and R2 have a magnitude of $R/4$. R1 and R2 together with an external op amp (see Figure 2) invert the reference input voltage and applies it to the 14-/16-bit DAC input REF, in 4-quadrant operation. The REF pin presents a constant input impedance of $R/8$ in unipolar mode and $R/12$ in bipolar mode. The output impedance of the current output pin I_{OUT1} varies with DAC input code. The I_{OUT1} capacitance due to the NMOS current steering switches also varies with input code from 70pF to 115pF. An added feature of these devices, especially for waveform generation, is a proprietary deglitcher that reduces glitch energy to below 2nV-s over the DAC output voltage range.

Digital Section

The LTC1591/LTC1597 are 14-/16-bit wide full parallel data bus inputs. The devices are double-buffered with two 14-/16-bit registers. The double-buffered feature permits the update of several DACs simultaneously. The input register is loaded directly from a 16-bit microprocessor bus when the \overline{WR} pin is brought to a logic low level. The second register (DAC register) is updated with the data from the input register when the LD pin is brought to a logic high level. Updating the DAC register updates the DAC output with the new data. To make both registers transparent for flowthrough mode, tie \overline{WR} low and LD high. However, this defeats the deglitcher operation and output glitch impulse may increase. The deglitcher is activated on the rising edge of the LD pin. The versatility of the interface also allows the use of the input and DAC registers in a master slave or edge-triggered configuration. This mode of operation occurs when \overline{WR} and LD are tied together. The asynchronous clear pin resets the LTC1591/LTC1597 to zero scale and the LTC1591-1/LTC1597-1 to mid-scale. \overline{CLR} resets both the input and DAC registers. These devices also have a power-on reset. Table 1 shows the truth table for the LTC1591/LTC1597.

Unipolar Mode (2-Quadrant Multiplying, $V_{OUT} = 0V$ to $-V_{REF}$)

The LTC1591/LTC1597 can be used with a single op amp to provide 2-quadrant multiplying operation as shown in Figure 1. With a fixed $-10V$ reference, the circuits shown give a precision unipolar 0V to 10V output swing.



Unipolar Binary Code Table

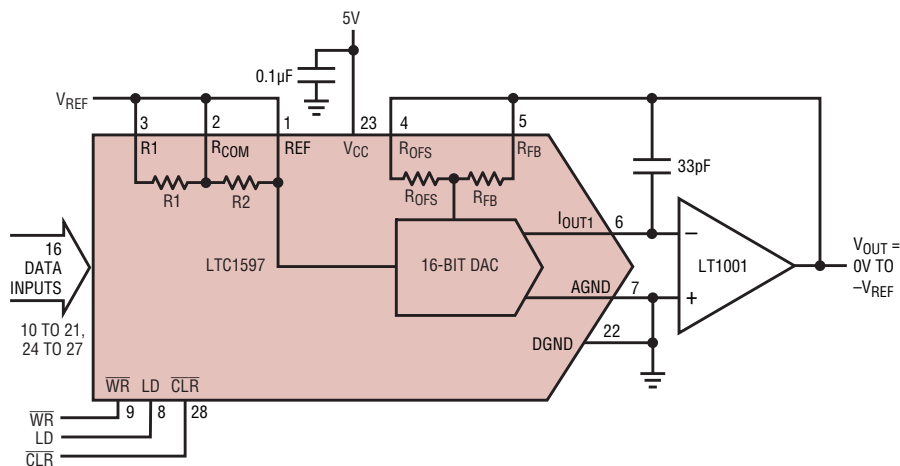
DIGITAL INPUT BINARY NUMBER IN DAC REGISTER		ANALOG OUTPUT V_{OUT}
MSB	LSB	
1111	1111 11	$-V_{REF}$ (16,383/16,384)
1000	0000 00	$-V_{REF}$ (8,192/16,384) = $-V_{REF}/2$
0000	0000 01	$-V_{REF}$ (1/16,384)
0000	0000 00	0V

1591/97 F01a

Figure 1a. Unipolar Operation (2-Quadrant Multiplication) $V_{OUT} = 0V$ to $-V_{REF}$

15917fb

APPLICATIONS INFORMATION



Unipolar Binary Code Table

DIGITAL INPUT BINARY NUMBER IN DAC REGISTER				ANALOG OUTPUT V _{OUT}
MSB	LSB			
1111	1111	1111	1111	-V _{REF} (65,535/65,536)
1000	0000	0000	0000	-V _{REF} (32,768/65,536) = -V _{REF} /2
0000	0000	0000	0001	-V _{REF} (1/65,536)
0000	0000	0000	0000	0V

1591/07 F01b

Figure 1b. Unipolar Operation (2-Quadrant Multiplication) V_{OUT} = 0V to -V_{REF}

Bipolar Mode

(4-Quadrant Multiplying, V_{OUT} = -V_{REF} to V_{REF})

The LTC1591/LTC1597 contain on chip all the 4-quadrant resistors necessary for bipolar operation. 4-quadrant multiplying operation can be achieved with a minimum of external components, a capacitor and a dual op amp, as shown in Figure 2. With a fixed 10V reference, the circuit shown gives a precision bipolar -10V to 10V output swing.

Op Amp Selection

Because of the extremely high accuracy of the 14-/16-bit LTC1591/LTC1597, thought should be given to op amp selection in order to achieve the exceptional performance of which the part is capable. Fortunately, the sensitivity of INL and DNL to op amp offset has been greatly reduced compared to previous generations of multiplying DACs.

Op amp offset will contribute mostly to output offset and gain and will have minimal effect on INL and DNL. For the LTC1597, a 500µV op amp offset will cause about 0.55LSB INL degradation and 0.15LSB DNL degradation with a 10V full-scale range. The main effects of op amp offset will be a degradation of zero-scale error equal to the op amp offset, and a degradation of full-scale error

equal to twice the op amp offset. For the LTC1597, the same 500µV op amp offset (2mV offset for LTC1591) will cause a 3.3LSB zero-scale error and a 6.5LSB full-scale error with a 10V full-scale range.

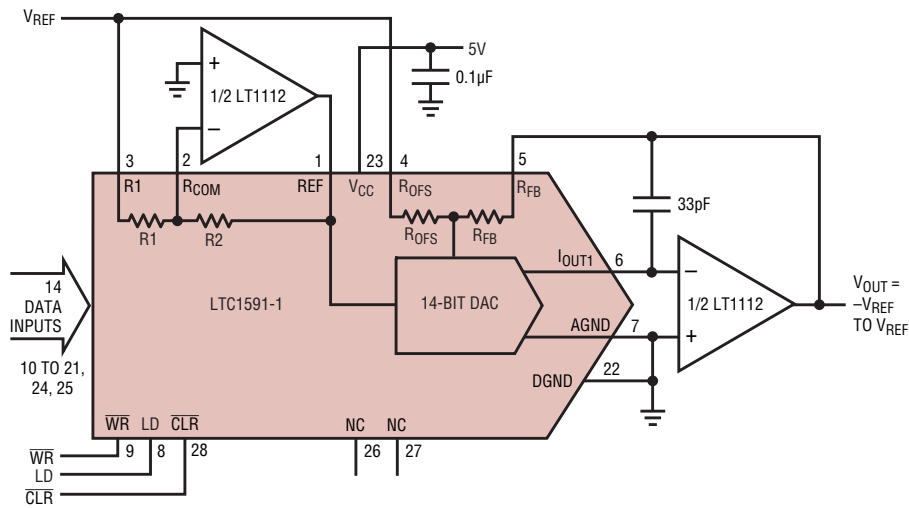
Op amp input bias current (I_{BIAS}) contributes only a zero-scale error equal to I_{BIAS}(R_{FB}/R_{OFS}) = I_{BIAS}(6k). For a thorough discussion of 16-bit DAC settling time and op amp selection, refer to Application Note 74, "Component and Measurement Advances Ensure 16-Bit DAC Settling Time."

Reference Input and Grounding

For optimum performance the reference input of the LTC1597 should be driven by a source impedance of less than 1kΩ. However, these DACs have been designed to minimize source impedance effects. An 8kΩ source impedance degrades both INL and DNL by 0.2LSB.

As with any high resolution converter, clean grounding is important. A low impedance analog ground plane and star grounding should be used. AGND must be tied to the star ground with as low a resistance as possible.

APPLICATIONS INFORMATION

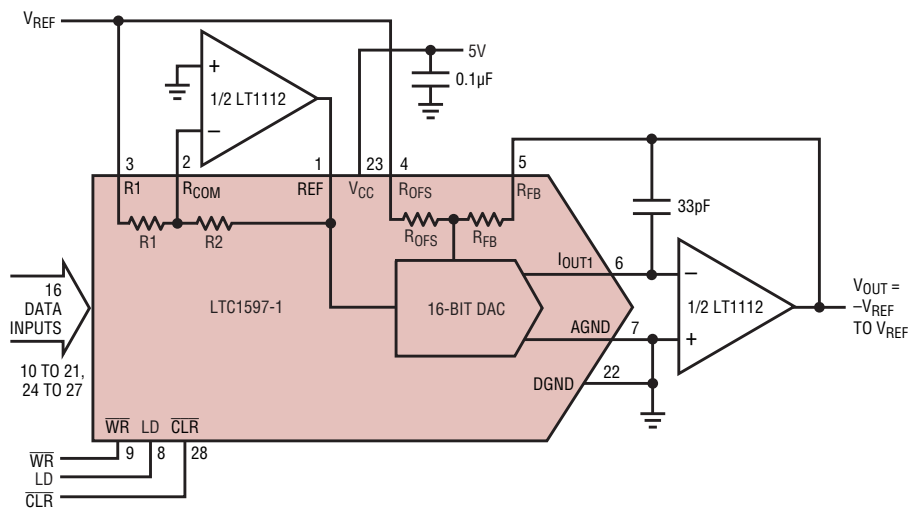


Bipolar Offset Binary Code Table

DIGITAL INPUT BINARY NUMBER IN DAC REGISTER				ANALOG OUTPUT V_{OUT}
MSB			LSB	
1111	1111	1111	11	V_{REF} (8,191/8,192)
1000	0000	0000	01	V_{REF} (1/8,192)
1000	0000	0000	00	0V
0111	1111	1111	11	$-V_{REF}$ (1/8,192)
0000	0000	0000	00	$-V_{REF}$

1591/97 F02a

Figure 2a. Bipolar Operation (4-Quadrant Multiplication) $V_{OUT} = -V_{REF}$ TO V_{REF}



Bipolar Offset Binary Code Table

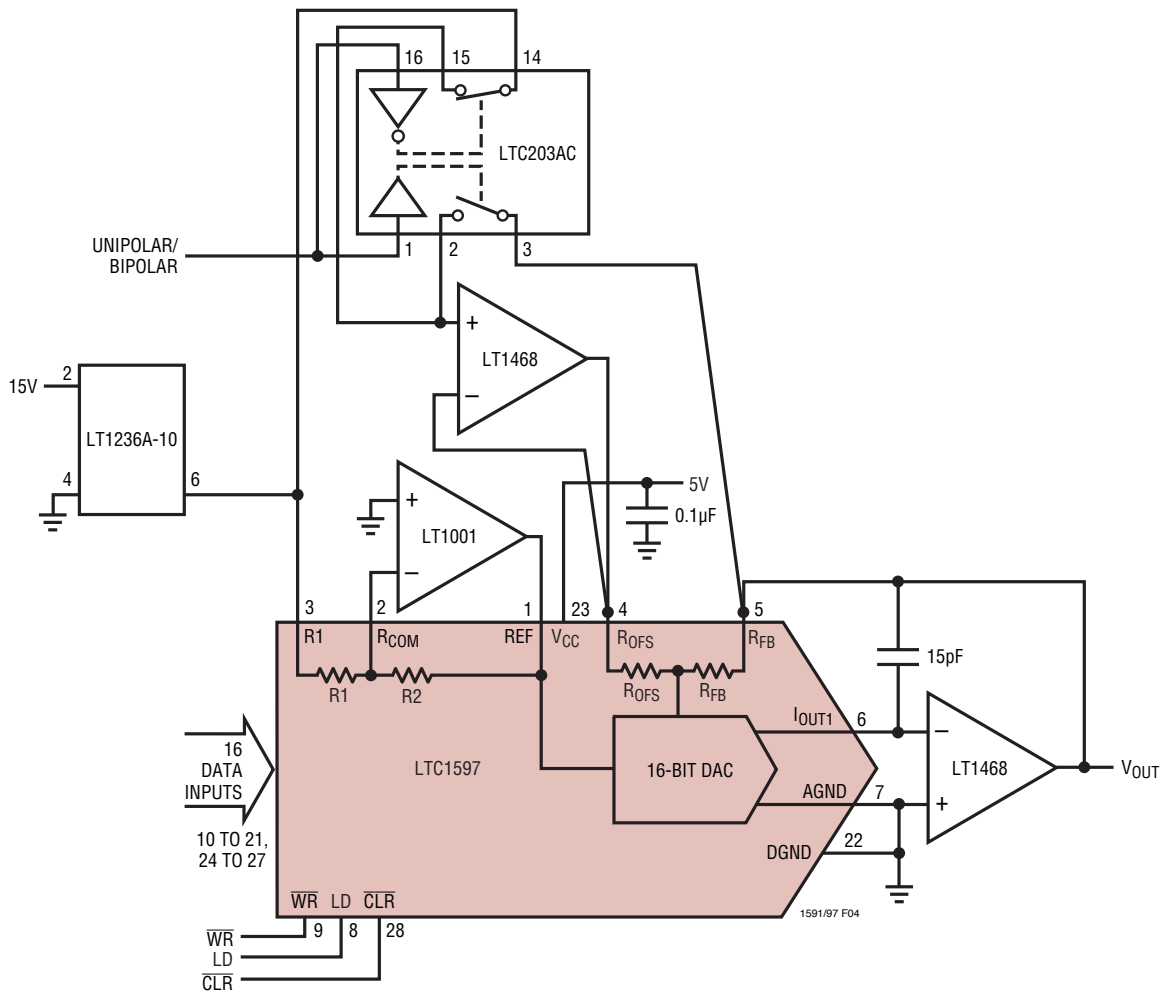
DIGITAL INPUT BINARY NUMBER IN DAC REGISTER				ANALOG OUTPUT V_{OUT}
MSB			LSB	
1111	1111	1111	1111	V_{REF} (32,767/32,768)
1000	0000	0000	0001	V_{REF} (1/32,768)
1000	0000	0000	0000	0V
0111	1111	1111	1111	$-V_{REF}$ (1/32,768)
0000	0000	0000	0000	$-V_{REF}$

1591/97 F02b

Figure 2b. Bipolar Operation (4-Quadrant Multiplication) $V_{OUT} = -V_{REF}$ TO V_{REF}

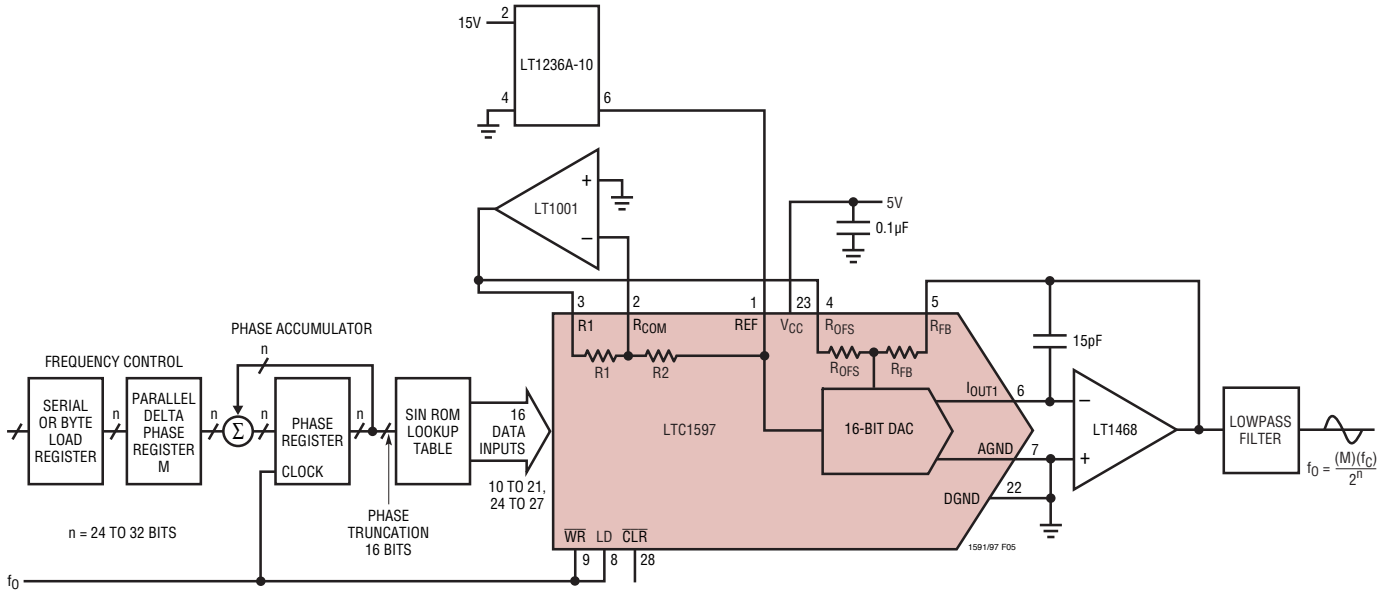
TYPICAL APPLICATIONS

16-Bit V_{OUT} DAC Programmable Unipolar/Bipolar Configuration



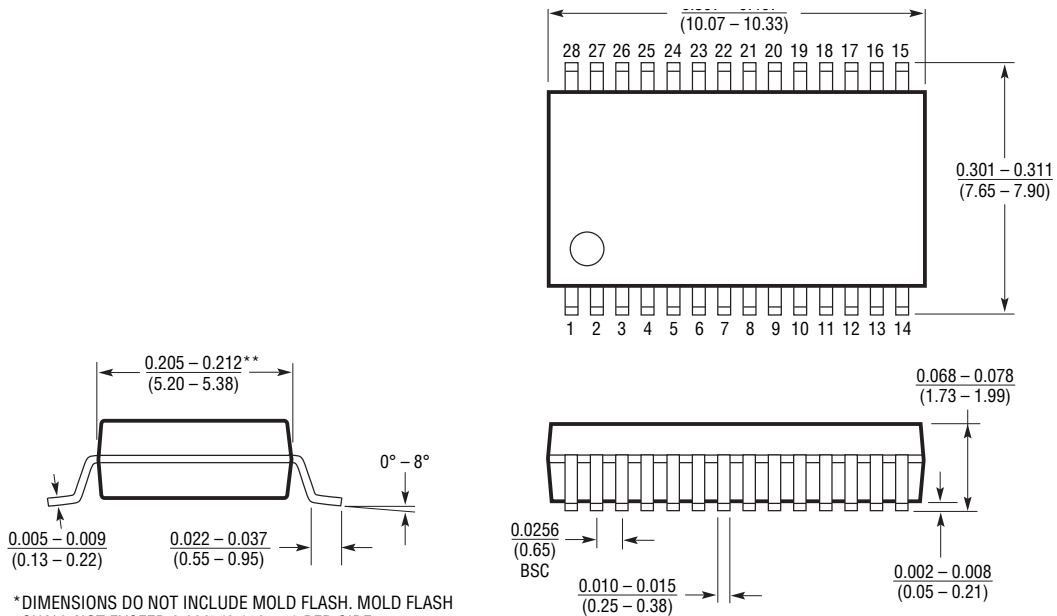
TYPICAL APPLICATIONS

Digital Waveform Generator



PACKAGE DESCRIPTION Dimensions in inches (millimeters) unless otherwise noted.
 Please refer to <http://www.linear.com/designtools/packaging/> for the most recent package drawings.

G Package
28-Lead Plastic SSOP (0.209)
 (LTC DWG # 05-08-1640)

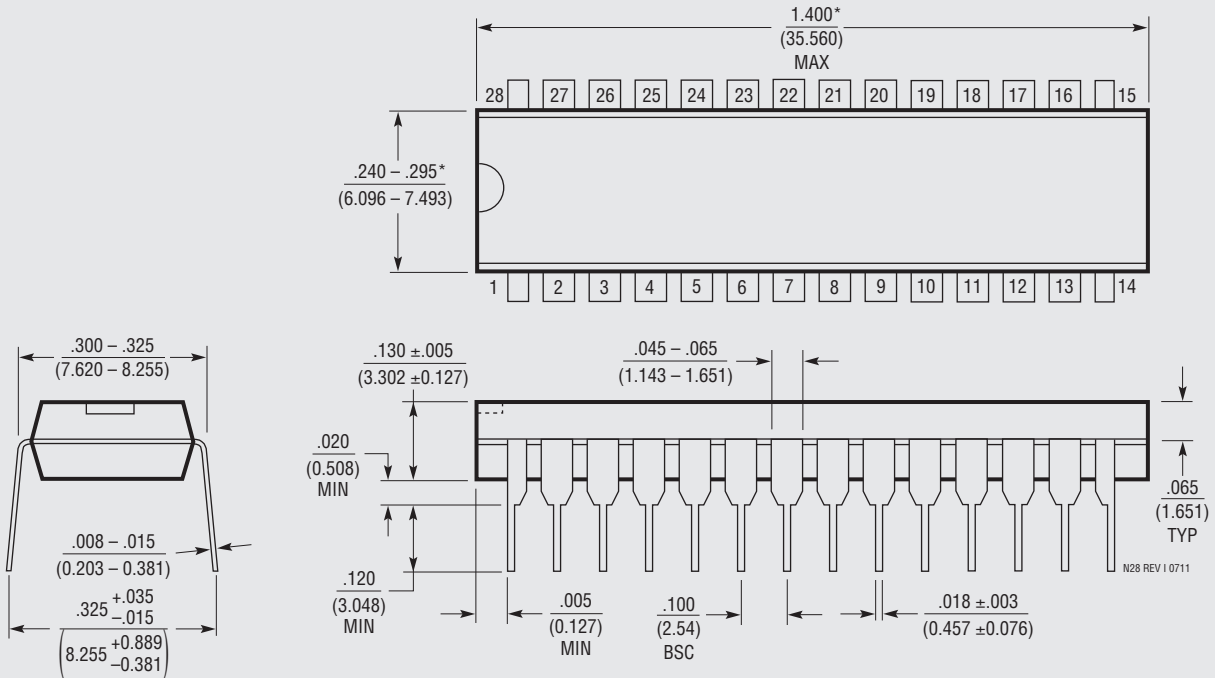


*DIMENSIONS DO NOT INCLUDE MOLD FLASH. MOLD FLASH SHALL NOT EXCEED 0.006" (0.152mm) PER SIDE
 **DIMENSIONS DO NOT INCLUDE INTERLEAD FLASH. INTERLEAD FLASH SHALL NOT EXCEED 0.010" (0.254mm) PER SIDE

G28 SSOP 0694

PACKAGE DESCRIPTION Dimensions in inches (millimeters) unless otherwise noted.
Please refer to <http://www.linear.com/designtools/packaging/> for the most recent package drawings.

N Package
28-Lead Plastic PDIP (Narrow 0.300 Inch)
(LTC DWG # 05-08-1510 Rev I)



NOTE:
1. DIMENSIONS ARE $\frac{\text{INCHES}}{\text{MILLIMETERS}}$
*THESE DIMENSIONS DO NOT INCLUDE MOLD FLASH OR PROTRUSIONS.
MOLD FLASH OR PROTRUSIONS SHALL NOT EXCEED .010 INCH (0.254mm)

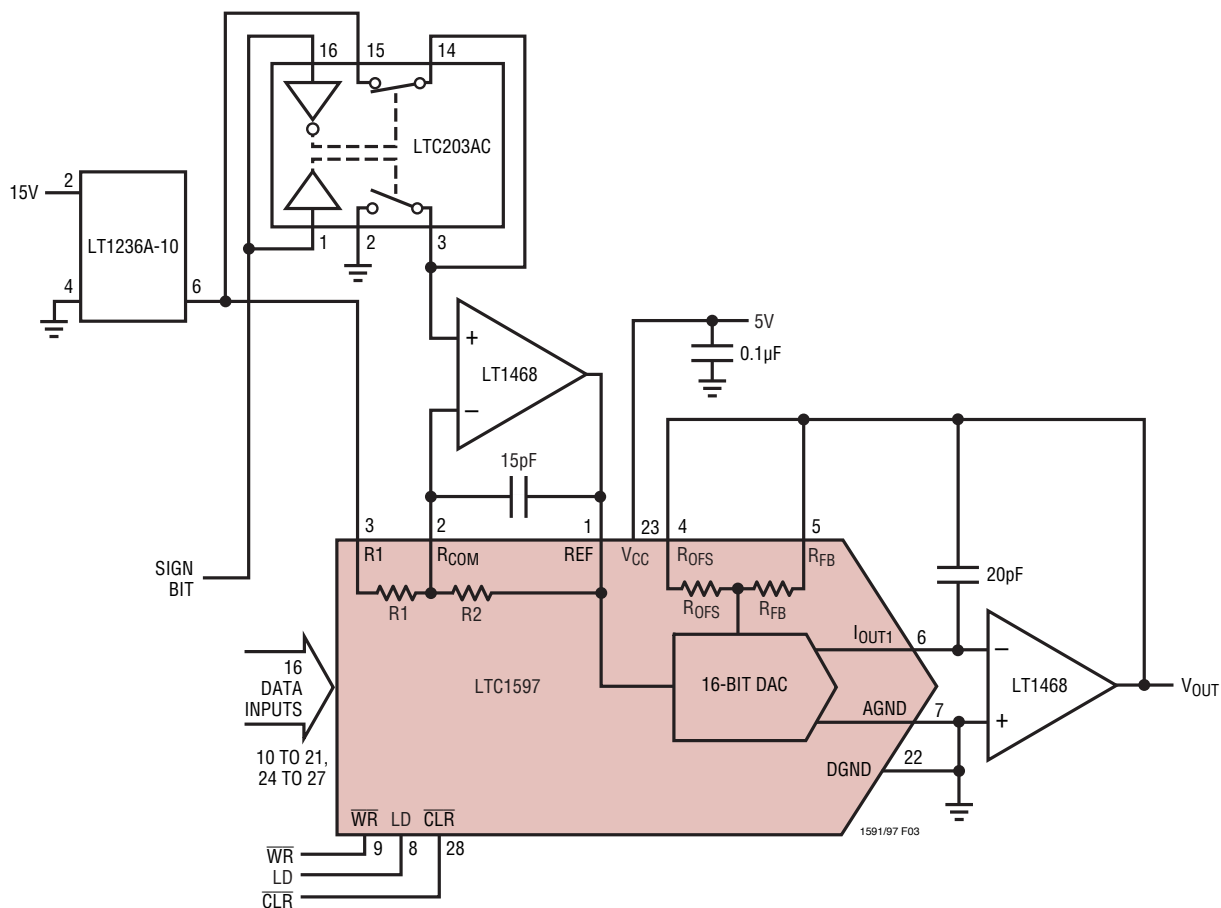
OBSOLETE PACKAGE

REVISION HISTORY (Revision history begins at Rev B)

REV	DATE	DESCRIPTION	PAGE NUMBER
B	07/15	Obsoleted 28-Lead PDIP Package	2, 3, 22

TYPICAL APPLICATION

17-Bit Sign Magnitude DAC with Bipolar Zero Error of 140 μ V (0.92LSB at 17 Bits) at 25°C



RELATED PARTS

PART NUMBER	DESCRIPTION	COMMENTS
Op Amps		
LT[®]1001	Precision Operational Amplifier	Low Offset, Low Drift
LT1112	Dual Low Power, Precision Picoamp Input Op Amp	Low Offset, Low Drift
LT1468	90MHz, 22V/ μ s, 16-Bit Accurate Op Amp	Precise, 1 μ s Settling to 0.0015%
DACs		
LTC1595/LTC1596	Serial 16-Bit Current Output DACs	Low Glitch, \pm 1LSB Maximum INL, DNL
LTC1650	Serial 16-Bit Voltage Output DAC	Low Noise and Glitch Rail-to-Rail V_{OUT}
LTC1658	Serial 14-Bit Voltage Output DAC	Low Power, 8-Lead MSOP Rail-to-Rail V_{OUT}
ADCs		
LTC1418	14-Bit, 200ksps 5V Sampling ADC	16mW Dissipation, Serial and Parallel Outputs
LTC1604	16-Bit, 333ksps Sampling ADC	\pm 2.5V Input, SINAD = 90dB, THD = 100dB
LTC1605	Single 5V, 16-Bit 100ksps ADC	Low Power, \pm 10V Inputs
References		
LT1236	Precision Reference	Ultralow Drift, 5ppm/ $^{\circ}$ C, High Accuracy 0.05%

Looking for pricing, stock, or lifecycle information?

Click below to explore more details on WIN SOURCE:

 [View LTC1591-1IG#PBF on WIN SOURCE](#)

 [Linear Technology](#) Information

Optimize Your Supply Chain with WIN SOURCE Solutions

-  Global Sourcing Solution
-  Obsolete Management
-  Cost Control Management
-  Shortage Management
-  Alternative Solution
-  Excess Inventory Management