

DATA SHEET

AU5783

J1850/VPW transceiver with
supply control function

Preliminary specification
Supersedes data of 2000 Nov 29

2001 Feb 15

J1850/VPW transceiver with supply control function**AU5783****FEATURES**

- Supports SAE/J1850 VPW standard for in-vehicle class B multiplexing
- Bus speed 10.4 kbit/s nominal
- 4X transmission mode (41.6 kbit/s)
- Drive capability 32 bus nodes
- Low RFI due to output waveshape function
- Direct battery operation with protection against +40 V load dump and 8 kV ESD
- Bus terminals proof against automotive transients up to +100 V/−150 V and 8 kV ESD
- Power supply enable function
- Very low sleep mode power consumption
- Diagnostic loop-back mode
- Thermal overload protection
- 14-pin SOIC

DESCRIPTION

The AU5783 is a line transceiver being primarily intended for in-vehicle multiplex applications. It provides interfacing between a J1850 link controller and the physical bus wire. The device supports the SAE/J1850 VPWM standard with a nominal bus speed of 10.4 kbit/s. For data upload and download purposes the 4X transmission mode is supported with a nominal bus speed of 41.6 kbit/s. The AU5783 provides protection against loss of ground conditions, thus ensuring the network will be operational in case of an electronic control unit loosing connection to ground potential. Low power operation is supported through provision of a sleep mode with very low power consumption. In addition an external voltage regulator can be turned off via the AU5783 transceiver to further reduce the overall power consumption. The voltage regulator will be activated again upon detection of bus activity or upon a local wake-up event.

ORDERING INFORMATION

TYPE NUMBER	PACKAGE			TEMPERATURE RANGE
	NAME	DESCRIPTION	VERSION	
AU5783D	SO14	plastic small outline package; 14 leads; body width 3.9 mm	SOT108-1	−40 to +125°C

QUICK REFERENCE DATA

SYMBOL	PARAMETER	CONDITIONS	MIN.	TYP.	MAX.	UNIT
V _{BAT.op}	Operating supply voltage, including low battery operation		5.5	12	16	V
T _{amb}	Operating ambient temperature range		−40		+125	°C
V _{BAT.id}	Battery voltage	load dump, 1s			+40	V
V _{BOH}	Bus output voltage	250 Ω < R _L < 1.6 kΩ	6.7		8.0	V
V _{BI}	Bus input threshold		3.4		4.2	V
I _{BAT.ip}	Sleep mode supply current				90	μA
t _p	Propagation delay	Tx to Rx			25	μs
t _r	Bus output rise time			14		μs

J1850/VPW transceiver with supply control function

AU5783

BLOCK DIAGRAM

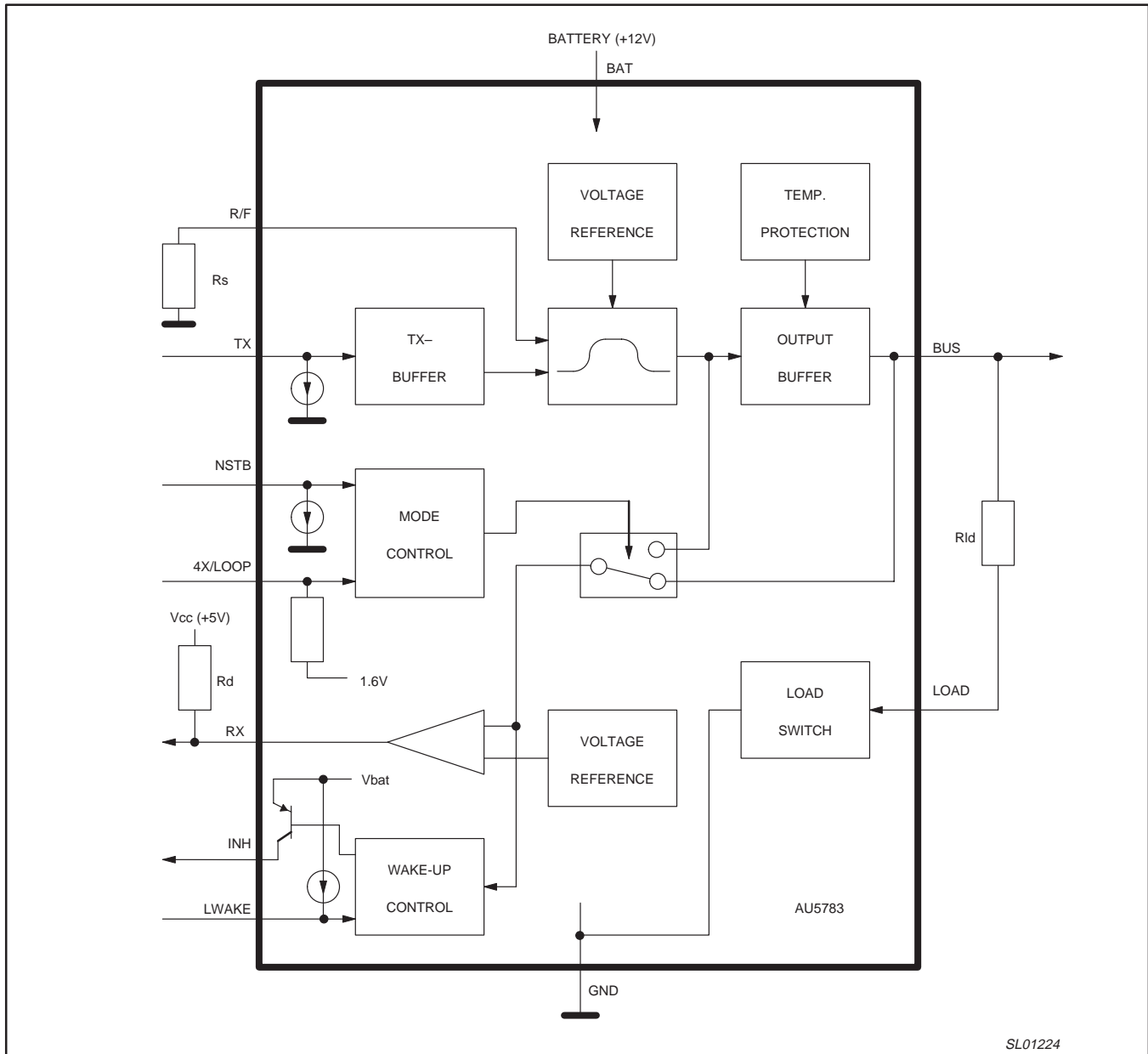


Figure 1. Block diagram

J1850/VPW transceiver with supply control function

AU5783

PINNING

Pin configuration

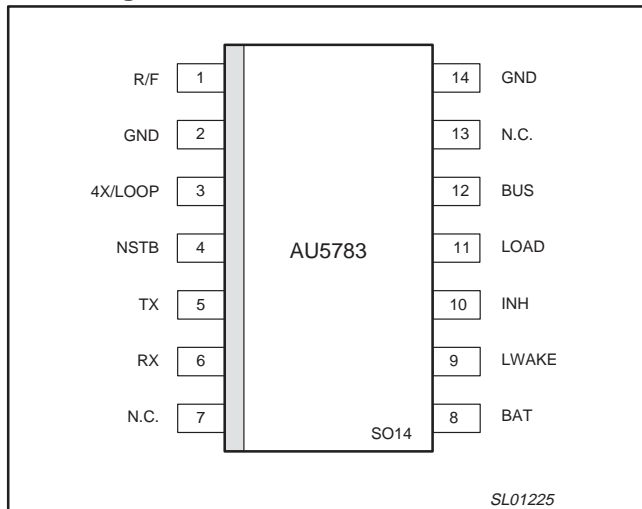


Figure 2. Pin configuration

Pin description

SYMBOL	PIN	DESCRIPTION
R/F	1	Rise/fall time control input; connect to ground potential via a resistor
GND	2	Ground
4X/LOOP	3	Tx mode control input; low: normal mode; high: 4X mode; float: loopback
NSTB	4	Network STandBy power control input; low: transmit function disabled (low power modes); high: transmit function enabled
TX	5	Transmit data input; low: transmitter passive; high: transmitter active
RX	6	Receive data output; low: active bus condition detected; high: otherwise
N.C.	7	Not connected
BAT	8	Battery supply input, 12V nominal
LWAKE	9	Local wake-up input, edge sensitive
INH	10	Activity indication flag (inhibit) output high side driver; e.g., to control a voltage regulator. Active high enables the regulator
LOAD	11	Bus load in/output
BUS	12	Bus line transmit/receive input/output, active high side driver
N.C.	13	Not connected
GND	14	Ground

FUNCTIONAL DESCRIPTION

The AU5783 is an integrated line transceiver IC that interfaces an SAE/J1850 protocol controller IC to the vehicle's multiplex bus line. It is primarily intended for automotive "Class B" multiplexing applications in passenger cars using VPW (Variable Pulse Width) modulated signals with a nominal transmission speed of 10.4 kbit/s. The device provides transmit and receive capability as well as protection to a J1850 electronic module.

A J1850 link controller feeds the transmit data stream to the transceiver's TX input. The AU5783 transceiver waveshapes the TX data input signal so as to minimize electromagnetic emission. The bus output signal features controlled rise & fall characteristic including rounded shape. A resistance being connected to the R/F control input sets the bus output slew rate.

The LOAD output is connected to the physical bus line via an external load resistor R_{ld} . The load resistor pulls the bus line to ground potential being the default state, e.g., when no transmitter outputs an active state. This output ensures the J1850 network will not be affected by a potential loss of ground condition at an individual electronic control unit.

The AU5783 includes a bus receiver with filter function to minimize susceptibility against interference. The logic state of the J1850 bus signal is indicated at the RX output being connected to the J1850 link controller.

The AU5783 also provides advanced low-power modes to help minimize ignition-off power consumption of an electronic control unit. The bus receiver function is kept alive in the low-power modes. If an active state is being detected on the bus line this will be indicated via the RX output. By default the AU5783 enters the low-power standby mode when the mode control inputs NSTB and 4X/LOOP are not driven. A 100 k Ω pull down resistor is required on NSTB.

Ignition-off current draw can be reduced further by turning off the voltage regulator being typically provided in an electronic control unit. This is supported by the activity indication function of the AU5783. In this application the activity indication flag INH will control external devices such as a voltage regulator. To turn-off the INH flag and thus the voltage regulator, the go to sleep command needs to be applied to the Network Standby power control input, e.g., NSTB = 0. The INH output is turned off after the sleep time-out period thereby, reducing the power consumption of an electronic control unit to an extremely low level.

The activity indication flag INH will be turned on again upon detection of a remote wake-up condition (i.e. bus activity) or upon detection of a local wake-up condition or a respective command from the microcontroller. A local wake-up condition is detected when an edge occurs at the wake-up input LWAKE. The INH flag will also be turned on upon detection of a high input level at the mode control input NSTB. Activation of the INH output enables external devices, e.g., a voltage regulator. This condition will power-up logic devices, e.g., a microcontroller in order to perform appropriate action, e.g., activation of the AU5783 and the J1850 network.

The AU5783 contain a power on reset (POR) circuit, which is active at low voltages. This circuit insures that if the control input NSTB is at 0 V or floating during power up, the device will be forced into the standby mode by the time the battery voltage rises to 4.4 V. This will also insure that the INH pin is in the high state to turn on the local voltage regulator. If there is a dip going below 4.4 V in battery voltage while in the sleep mode, the device may return to the

J1850/VPW transceiver with supply control function

AU5783

standby mode if the POR is tripped. Even if the device is not in sleep mode the INH output will turn off at some battery voltages below 4.4 V when the internal POR circuit is active. At still lower voltages where the POR circuit does not operate, the INH may again pull up toward the battery level, typically with battery voltages below approximately 3.6 V. The operation of the POR circuit can be verified by placing the device in the sleep mode while the battery voltage is above 4.4 V. The INH output, which is a high side driver, should turn off when the sleep mode is entered. Next ramp the battery voltage down to 2.0V and finally return the battery voltage to 4.4 V. When the battery supply is returned to 4.4V, the INH output will pull high since the device enters standby mode. The actual voltages at which the POR engages and releases will vary from part to part. The lowest voltage at which the POR will be active is 2.6 V and it will always release below 4.4 V.

The AU5783 provides a high-speed data transmission mode where the bus output waveshape function is disabled. In this mode transmit signals are output as fast as possible thus allowing higher data rates, e.g., the so-called 4X mode with 41.6 kbit/s nominal speed.

The AU5783 also provides a loop-back mode for diagnostic purpose, e.g., self-test of an electronic control unit. In loop-back mode the bus transmit and receive functions are disabled thus

essentially disconnecting an electronic control unit from the J1850 bus line. The TX signal is internally looped back to the RX output.

The AU5783 only requires one power supply V_{BAT} . Bus transmissions can continue with battery voltage down to 5.5 V. The bus output voltage will track 1.3V below the battery voltage. The bus input voltage threshold will also follow the battery voltage going down as shown in Figure 3. This ratio metric behavior of the input threshold partially compensates for the reduced dominant level transmitted during low battery operation.

The AU5783 features special robustness at its BAT and BUS pins hence the device is well protected for applications in the automotive environment. Specifically the BAT input is protected against 40 V load dump and jump start condition. The BUS output is protected against wiring fault conditions, e.g., short circuit to ground and battery voltage as well as typical automotive transients and electrostatic discharge. In addition, an over-temperature shutdown function with hysteresis is incorporated which protects the device under network fault conditions. In case of the die temperature reaching the trip point, the AU5783 will latch-off the transceiver function. The device is reset on the first rising edge on the TX input after a decrease in the junction temperature.

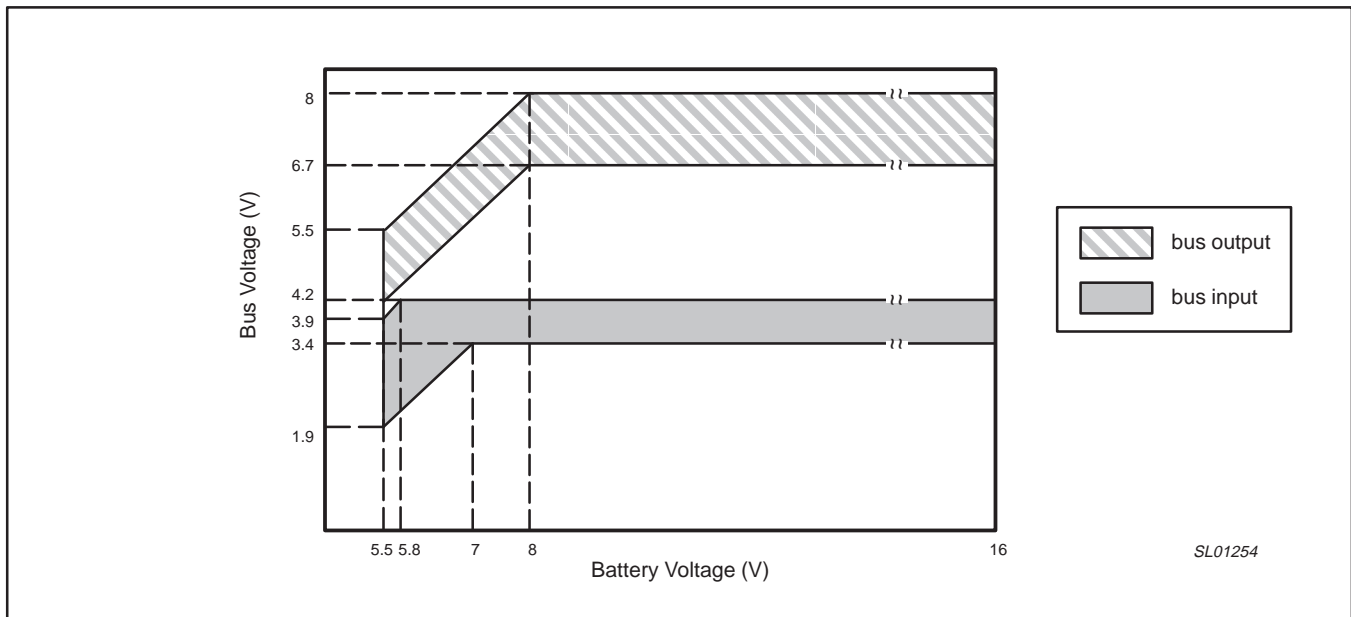


Figure 3. Bus voltage vs battery voltage

J1850/VPW transceiver with supply control function

AU5783

Table 1. Control input summary

Z = Input connected to high impedance permitting it to float. Typically accomplished by turning off the output of a microcontroller.

X = Don't care; The input may be at either logic level.

NSTB	4X/LOOP	TX	Mode	Bus transmitter	BUS	RX (out)	INH
1	0	1	normal operation	active	high	low	high
1	0	0	normal operation	passive	float	bus state, Note 2	high
1	1	1	4X transmit	active	high	low	high
1	1	0	4X transmit	passive	float	bus state, Note 2	high
1	Z	1	loop-back	passive	float	low	high
1	Z	0	loop-back	passive	float	high	high
0 or Z	X	X	standby (default state after power on), Note 1, Note 6	off	float	bus state, Note 5	high
1 → 0	X	0	go to sleep command, Note 4, Note 6	off	float	bus state, Note 5	float, Note 3
0 or Z	X	X	sleep, Note 4, Note 6	off	float	bus state, Note 5	float

NOTES:

- After power-on, the AU5783 enters standby mode since the input pins NSTB and 4X/LOOP are assumed to be floating. In standby mode the voltage regulator is enabled via the INH output, and therefore power is supplied to the microcontroller. When the microcontroller begins operation it will normally set the control inputs NSTB high and 4X/LOOP to low state in order to start normal operation of the AU5783.
- RX outputs the bus state. If the bus level is below the receiver threshold (i.e., all transmitters passive), then RX will be high. Otherwise, if the bus level is above the receiver threshold (i.e., at least one transmitter is active), then RX will be low.
- INH is turned off after a time-out period.
- For entering the sleep mode (e.g., to deactivate INH), the "Go To Sleep" command needs to be applied. The "Go To Sleep" command is a high-to-low transition on the NSTB input. When the "Go To Sleep" command is present, the INH flag is deactivated. This signal can be used to turn-off the voltage regulator of an electronic module. After the voltage regulator is turned off the microcontroller is no longer supplied and the NSTB input will be floating. The INH output will be set again upon detection of bus activity or occurrence of a local wake-up event.
- In standby and sleep mode, the detection of a wake-up condition (e.g., high level on BUS) will be signalled on the output RX.
- The NSTB pin contains a weak pull down which is active in the normal, loop-back and high-speed modes but is disabled in the sleep mode. To insure a logic 0 input if the microcontroller's outputs are tri-stated or the microcontroller is not powered, a 100 kΩ resistor between NSTB and ground is suggested.

J1850/VPW transceiver with supply control function

AU5783

ABSOLUTE MAXIMUM RATINGS

According to the IEC 134 Absolute Maximum System.

Unless otherwise specified, operation is not guaranteed under these conditions: all voltages are referenced to pin GND; positive currents flow into the IC.

SYMBOL	PARAMETER	CONDITIONS	MIN.	MAX.	UNIT
V_{BAT}	Voltage on pin BAT		-0.3	+34	V
$V_{BAT,Id}$	Short-term supply voltage	load dump, $t < 1s$		+40	V
$V_{BAT,tr}$	Transient voltage on pin BAT and pin LWAKE	SAE J1113 test pulses 3A and 3B, $R_{wake} > 9 k\Omega$	-150	+100	V
V_{B0}	Bus voltage	$V_{BAT} < 2 V$, $R_{Id} > 1.4 k\Omega$	-16	+18	V
V_{B1}	Bus voltage	$V_{BAT} > 2 V$, $R_{Id} > 1.4 k\Omega$	-10	+18	V
$V_{B,tr}$	Transient bus voltage	SAE J1113, test pulses 3A and 3B, coupled via $C = 1 nF$; $R_{Id} > 1.4 k\Omega$	-150	+100	V
V_{WKE}	Voltage on pin LWAKE		-0.3	$\leq V_{BAT}$	V
V_{WKR}	Voltage on pin LWAKE	via series resistor of $R_{wake} > 9 k\Omega$	-16	+34	V
V_{INH}	DC voltage on pin INH		-0.3	$\leq V_{BAT}$	V
V_I	DC voltage on pins TX, RX, NSTB and 4X/LOOP		-0.3	7.0	V
$V_{I,RF}$	DC voltage on pin R/F		-0.3	5.0	V
ESD_{HBM1}	ESD capability of pins BAT, BUS, LOAD and LWAKE	Human body model, direct contact discharge, $R = 1.5 k\Omega$, $C = 100 pF$, $R_{Id} > 1.4 k\Omega$; $R_{wake} > 9 k\Omega$	-8	+8	kV
ESD_{HBM2}	ESD capability of all pins	Human body model, direct contact discharge, $R = 1.5 k\Omega$, $C = 100 pF$	-2	+2	kV
P_{tot}	Maximum power dissipation	@ $T_{amb} = +125^{\circ}C$		205	mW
Θ_{JA}	Thermal impedance	with standard test PCB		120	$^{\circ}C/W$
T_{amb}	Operating ambient temperature		-40	+125	$^{\circ}C$
T_{vj}	Operating junction temperature		-40	+150	$^{\circ}C$
T_{stg}	Storage temperature		-40	+150	$^{\circ}C$

J1850/VPW transceiver with supply control function

AU5783

DC ELECTRICAL CHARACTERISTICS

$7V < V_{BAT} < 16V$; $-40^{\circ}C < T_{amb} < +125^{\circ}C$; $250\ \Omega < R_L < 1.6\ k\Omega$; $1.4\ k\Omega < R_{ld} < 12\ k\Omega$;
 $-2V < V_{bus} < +9V$; $NSTB = 5V$; $4X/LOOP = 5V$; $R_S = 56\ k\Omega \pm 1\%$; RX connected to +5 V via $R_d = 3.9\ k\Omega$; INH loaded with $100\ k\Omega$ to GND;
 LWAKE connected to BAT via $10\ k\Omega$ resistor; all voltages are referenced to pin 14 (GND); positive currents flow into the IC;
 typical values reflect the approximate average value at $V_{BAT} = 13V$ and $T_{amb} = 25^{\circ}C$; unless otherwise specified.

SYMBOL	PARAMETER	CONDITIONS	MIN.	TYP.	MAX.	UNIT
Pin BAT & thermal shutdown						
$I_{BAT.sl}$	Sleep mode supply current	Note 1			90	μA
$I_{BAT.sb}$	Standby mode supply current	Note 1			500	μA
$I_{BAT.p.nl}$	Supply current; passive state, in normal or loopback modes	$TX = 5V$; $LWAKE = 0V$, $4X/LOOP = 0$ or Z			3	mA
$I_{BAT.p.h}$	Supply current; passive state, in high speed mode	$TX = 5V$; $LWAKE = 0V$, $4X/LOOP = 5V$			10	mA
$I_{BAT.wl}$	Supply current; weak load	$TX = 5V$, $R_L = 1.38\ k\Omega$, Note 2			25	mA
$I_{BAT.fl}$	Supply current; full load	$TX = 5V$, $R_L = 250\ \Omega$			45	mA
T_{sd}	Thermal shutdown temperature	Note 2	155		190	$^{\circ}C$
T_{hys}	Thermal shutdown hysteresis	Note 2	5		15	$^{\circ}C$
Pins TX, NSTB						
V_{ih}	High level input voltage		2.7			V
V_{il}	Low level input voltage				0.9	V
I_{ihtx}	TX high level input current	$V_{TX} = 5V$	50		200	μA
$I_{ih.nstb,nlh}$	NSTB high level input current in normal, loop back and high speed modes	$V_{NSTB} = 5V$	10		50	μA
I_{il}	Low level input current	$V_i = 0V$	-2		+2	μA
Pin 4X/LOOP						
V_{ih}	High level input voltage (High Speed Mode)	$NSTB = 5V$	2.7			V
		$NSTB = 5V$, Bare Die	2.9			V
I_{ih-5}	High level input current with 5 V logic	$4X/LOOP = 5V$, $NSTB = 5V$	50		300	μA
I_{ih-3}	High level input current with 3 V logic	$4X/LOOP = 3V$, $NSTB = 3V$	30		250	μA
V_{ilb}	Mid level input voltage (Loop back operation)	$NSTB = 5V$	1.25		1.65	V
I_{ilb}	Loopback mode input current	$NSTB = 5V$; Note 4	-2		2	μA
V_{il}	Low level input voltage (Normal Mode)	$NSTB = 5V$			+0.7	V
$-I_{il}$	Low level input current	$V_{4X} = 0V$, $NSTB = 5V$	50		200	μA
$-I_{ils}$	Low level input current in standby and sleep mode	$V_{4X} = 0V$, $NSTB = 0V$	-5		+5	μA
Pin LWAKE						
V_{i_wh}	Local wake-up high	$NSTB = 0V$	3.9			V
V_{i_wl}	Local wake-up low	$NSTB = 0V$			2.5	V
$-I_{l_w}$	Low level input current	$V_{LWAKE} = 0V$	2		25	μA
Pin INH						
$-I_{oh_inh}$	INH high level output current	$V_{INH} = V_{BAT} - 1V$; $4.9V < V_{BAT} < 16V$	120		500	μA
$-I_{ol_inh}$	INH off-state output leakage	$V_{INH} = 0V$; $NSTB = 0V$	-5		+5	μA
V_{bat_POR}	Power-on reset release voltage; Battery voltage threshold for setting INH output high	$NSTB = 0V$, $BUS = 0V$, $V_{BAT} = 4.4V$, verify $INH = 1$			4.4	V
Pin RX						
V_{ol_rx}	Low level output voltage	$I_{RX} = 1.6\ mA$, $BUS = 7V$, all modes	0		0.45	V
I_{ol_rx}	Low level output current	$V_{RX} = 5V$, $BUS = 7V$	2		20	mA
I_{oh_rx}	High level output leakage	$V_{RX} = 5V$, $BUS = 0V$, all modes	-10		+10	μA

J1850/VPW transceiver with supply control function

AU5783

SYMBOL	PARAMETER	CONDITIONS	MIN.	TYP.	MAX.	UNIT
Pin BUS						
V_{BOh_n}	BUS output high voltage in normal mode	TX = 5 V, 4X/LOOP = 0 V; 8 V < V_{BAT} < 16 V 250 Ω < R_L < 1.6 k Ω ; Note 3	6.7		8.0	V
V_{BOh_h}	BUS output high voltage in high speed mode	TX = 5 V, 4X/LOOP = 5 V; 8 V < V_{BAT} < 16 V 250 Ω < R_L < 1.6 k Ω ; Note 3	6.7		9.0	V
V_{BOh_l}	BUS voltage; low battery	TX = 5 V; Note 3 5.5 V < V_{BAT} < 8 V; 250 Ω < R_L < 1.6 k Ω	$V_{BAT}-1.3$		V_{BAT}	V
$-I_{BO_LIM}$	BUS short circuit current	TX = 5 V; $V_{BUS} = -2$ V	30		100	mA
$-I_{BO_LK1}$	BUS leakage current; passive state	TX = 0 V; 0 V < V_{BAT} < 16 V; -2 V < V_{BUS} < +9 V	-100		+100	μ A
$-I_{BO_LK0}$, $-I_{BO_LK5}$	BUS current with loss of battery	V_{BAT} < 2 V; -2 V < V_{BUS} < +9 V	-100		+100	μ A
$-I_{BO_LKLBO}$, $-I_{BO_LKLBS}$	BUS leakage current; loop back mode	TX = 0 V or 5 V; 0 V < V_{BAT} < 16 V; -2 V < V_{BUS} < +9 V	-100		+100	μ A
$-I_{LOG}$	BUS leakage current at loss of ground	0 V < V_{BAT} < 16 V; see test circuit	-20		+100	μ A
V_{Bih}	BUS input high voltage	5.8 V < V_{BAT} < 16 V, 4X/LOOP = 5 V and 4X/LOOP = 0 V	4.2			V
V_{Bil}	BUS input low voltage	4X/LOOP = 5 V or 4X/LOOP = 0 V			3.4	V
V_{Bhy}	BUS input hysteresis	4X/LOOP = 5 V and 4X/LOOP = 0 V	0.1		0.5	V
V_{Bih_l}	BUS input high voltage at low battery	5.5 V < V_{BAT} < 5.8 V, 4X/LOOP = 5 V and 4X/LOOP = 0 V	$V_{BAT} - 1.6$ V			V
V_{Bil_L}	BUS input low voltage at low battery	5.5 V < V_{BAT} < 7 V, 4X/LOOP = 5 V and 4X/LOOP = 0 V			$V_{BAT} - 3.6$ V	V
V_{Bih_s}	BUS input high voltage in standby and sleep mode	NSTB = 0 V, 4X/LOOP = 5 V and 4X/LOOP = 0 V, 6 V < V_{BAT} < 16 V	4.2			V
V_{Bil_s}	BUS input low voltage in standby and sleep mode	NSTB = 0 V, 4X/LOOP = 5 V and 4X/LOOP = 0 V, 6 V < V_{BAT} < 16 V			2.2	V
V_{Bih_sl}	BUS input high voltage in standby and sleep mode at low battery	NSTB = 0 V, 4X/LOOP = 5 V and 4X/LOOP = 0 V, 4.5 V < V_{BAT} < 6 V	$\frac{1}{2}(V_{BAT} + 2.4)$			V
V_{Bil_sl}	BUS input low voltage in standby and sleep mode at low battery	NSTB = 0 V, 4X/LOOP = 5 V and 4X/LOOP = 0 V, 4.5 V < V_{BAT} < 6 V			$\frac{1}{2}(V_{BAT} - 1.6)$	V
Pin LOAD						
V_{ld}	Load output voltage	$I_{ld} = 2$ mA			0.2	V
V_{ldoff}	Load output voltage unpowered	$I_{ld} = 6$ mA, $V_{BAT} = 0$ V			1	V

NOTES:

- TX = 0 V; NSTB = 0 V; 7 V < V_{BAT} < 13 V; T_j < 125°C; -1 V < V_{BUS} < 1 V; LWAKE connected to BAT via 10 k Ω ; INH not connected.
- This parameter is characterized but not subject to production test.
- For V_{BAT} < 8.3 V the bus output voltage is limited by the supply voltage.
For 16 V < V_{BAT} < 27 V the load is limited by the package power dissipation ratings. The duration of the latter condition is recommended to be less than 2 minutes.
- For 3-State devices driving the 4X/LOOP Pin, the leakage in the 3-State output must be below the specified input current to ensure the pin is biased in the center state to provide the loop back function. For 3-State devices driving the 4X/LOOP pin, the leakage in the 3-State output must be below the specified input current to insure the pin is biased in the center state to provide the loop back function. If the leakage current of the microcontroller is too high, then an alternate approach is to connect a resistor voltage divider between the V_{CC} and ground of the microcontroller's supply to provide approximately 1.45 V bias on the 4X/LOOP pin.

J1850/VPW transceiver with supply control function

AU5783

DYNAMIC CHARACTERISTICS

7 V < V_{BAT} < 16 V; -40°C < T_{amb} < +125°C; -2 V < V_{bus} < +9 V; 1.4 kΩ < R_{ld} < 12 kΩ

BUS: 250 Ω < R_L < 1.6 kΩ; 3 nF < C_L < 17 nF; 1.7 μs < (R_L * C_L) < 5.2 μs

Bus load A: R_L = 1.38 kΩ, C_L = 3.3 nF; Bus load B: R_L = 300 Ω, C_L = 16.5 nF

R/F pin: R_s = 56 kΩ ± 1%; INH loaded with 100 kΩ and 30 pF to GND

RX pin: R_d = 3.9 kΩ to 5 V; C_L = 30 pF to GND; NSTB = 5 V; 4X/LOOP = 0 V

Typical values reflect the approximate average value at V_{BAT} = 13 V and T_{amb} = 25°C, unless otherwise specified.

NSTB and 4X/LOOP rise and fall times < 10 ns.

SYMBOL	PARAMETER	CONDITIONS	MIN.	TYP.	MAX.	UNIT
CTX	TX input capacitance	Note 1			15	pF
INH output function						
t _{inhoff}	INH turn-off delay	BUS = 0 V, LWAKE = V _{BAT} or 0 V, go to sleep command, measured from NSTB = 0.9 V to INH = 3.5 V			200	μs
t _{inhonl}	LWAKE to INH turn-on delay	NSTB = 0 V, BUS = 0 V, measured from LWAKE = 3 V to INH = 3.5 V			100	μs
t _{inhonr}	BUS to INH turn-on delay	sleep mode, LWAKE = V _{BAT} , measured from BUS = 3.875 V to INH = 3.5 V			60	μs
BUS output function						
t _{BOon} ; t _{BOoff}	Delay TX to BUS rising and falling edge	from TX = 2.5 V to BUS = 3.875 V; bus load A and bus load B	13		22	μs
t _{BrA}	BUS voltage rise time	bus load A, 9 V < V _{BAT} < 16 V, measured at 1.5 V and 6.25 V	11		18	μs
t _{BrB}	BUS voltage rise time	bus load B, 9 V < V _{BAT} < 16 V, measured at 1.5 V and 6.25 V	11		18	μs
t _{BfA}	BUS output voltage fall time	bus load A, 9 V < V _{BAT} < 16 V, measured at 1.5 V and 6.25 V	11		18	μs
t _{BfB}	BUS output voltage fall time	bus load B, 9 V < V _{BAT} < 16 V, measured at 1.5 V and 6.25 V	11		18	μs
t _{ir}	BUS output current rise time	bus load B connected to -2 V, 9 V < V _{BAT} < 16 V, measured at 20% and 80% of load capacitor current	4			μs
t _{if}	BUS output current fall time	bus load B connected to -2 V, 9 V < V _{BAT} < 16 V, measured at 20% and 80% of load capacitor current	4			μs
t _{wBh}	BUS high pulse width	TX = high for 64 μs, bus load condition A, 9 V < V _{BAT} < 16 V; minimum width measured at BUS = 6.25 V, maximum width measured at BUS = 1.5 V	35		93	μs
B _{HRM}	BUS output voltage harmonic content; normal mode	f = 530 kHz to 1670 kHz, bus load B connected to -2 V, TX = 7.81 kHz, 50% duty cycle, 9 V < V _{BAT} < 16 V, Note 1			70	dBμV
t _{BO4Xon} ; t _{BO4Xoff}	TX to BUS delay in 4X mode	4X/LOOP = 1 V, bus load B, 9 V < V _{BAT} < 16 V, from TX = 1.8 V to BUS = 3.875 V	0.5		5	μs
t _{pon} ; t _{poff}	Delay TX to RX rising and falling edge in normal mode	measured from 1.8 V on TX to 2.5 V on RX	13		25	μs
t _{plbon} ; t _{plboff}	Delay TX to RX rising and falling edge in loop-back mode	NSTB = 5 V, 4X = floating, measured from 1.8 V on TX to 2.5 V on RX	13		25	μs
BUS input function						
t _{DRXon} ; t _{DRXoff}	BUS input delay time, rising and falling edge	measured from V _{BUS} = 3.875 V to V _{RX} = 2.5 V	0.2		2	μs
t _{tRX}	RX output transition time, rising and falling edge	NSTB = 5 V, measured at 10% and 90% of waveform			1	μs
t _{tRXsl}	RX output transition time in standby and sleep mode, rising and falling edge	NSTB = 0 V, measured at 10% and 90% of waveform			5	μs
t _{DRXsl}	BUS to RX delay in sleep and standby modes	NSTB = 0 V, LWAKE = V _{BAT} , measured from BUS = 3.875 V to RX = 2.5 V	8		60	μs

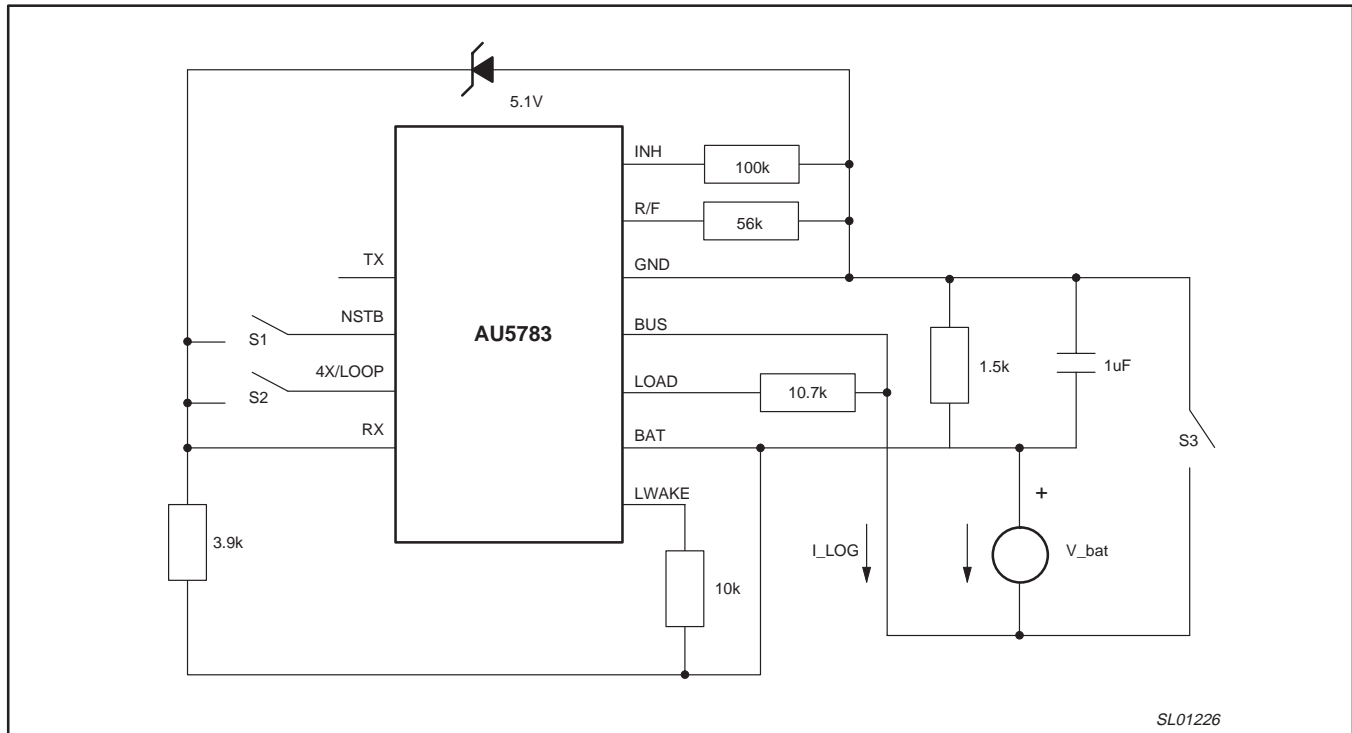
NOTES:

1. This parameter is characterized but not subject to production test.

J1850/VPW transceiver with supply control function

AU5783

TEST CIRCUITS



NOTE:

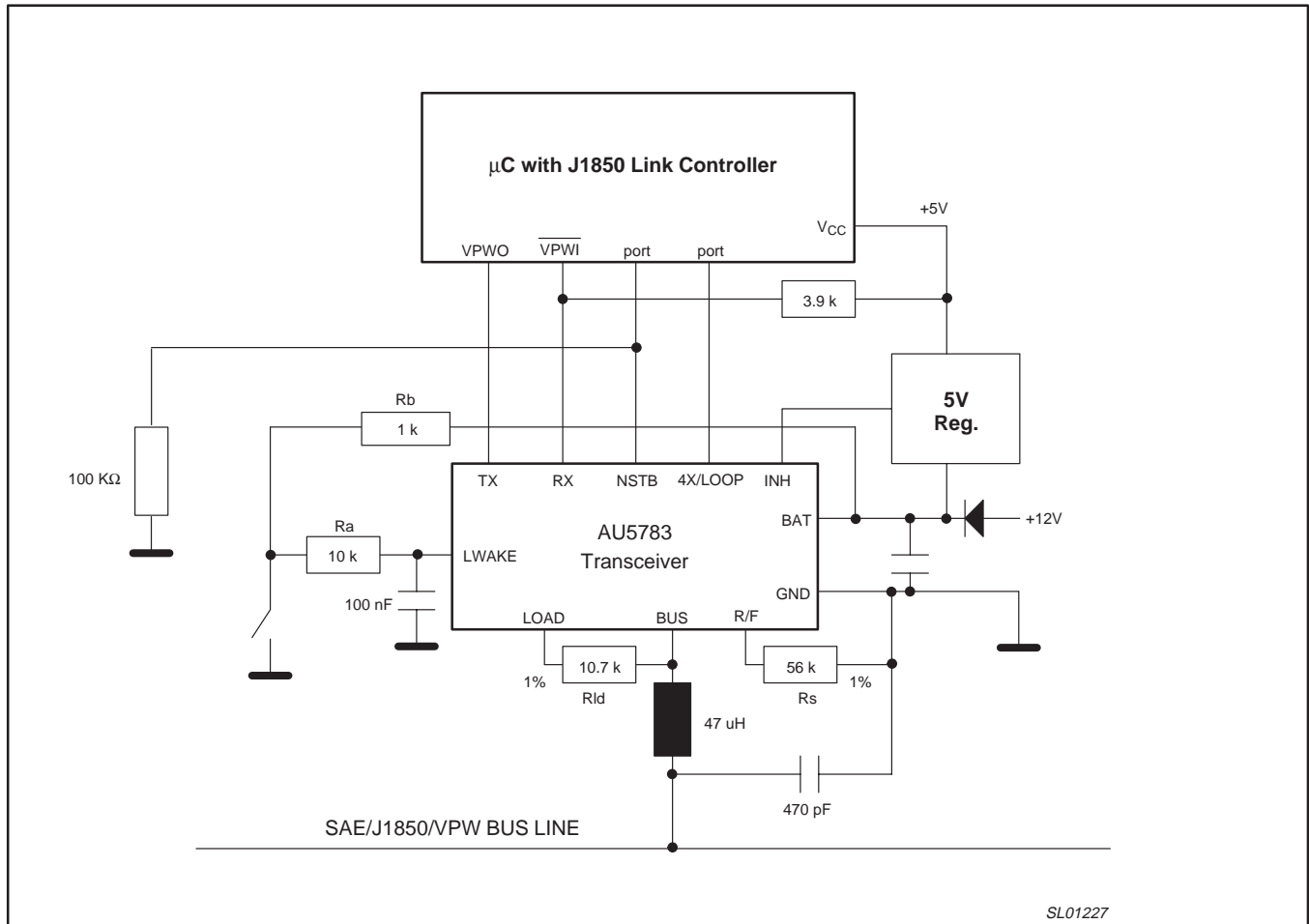
1. Check I_LOG with the following switch positions:
 1. S1 = open = S2
 2. S1 = open, S2 = closed
 3. S1 = closed, S2 = open
 4. S1 = closed = S2

Figure 4. Test circuit for loss of ground condition

J1850/VPW transceiver with supply control function

AU5783

APPLICATION INFORMATION



SL01227

NOTES:

1. Value of R_{ld} depends, e.g., on type of bus node. Example: secondary node $R_{ld} = 10.7\text{ k}$, primary node $R_{ld} = 1.5\text{ k}$.
2. For connection of the NSTB and 4X/LOOP pins there are different options, e.g., connect to a port pin or to V_{CC} or to active low reset.

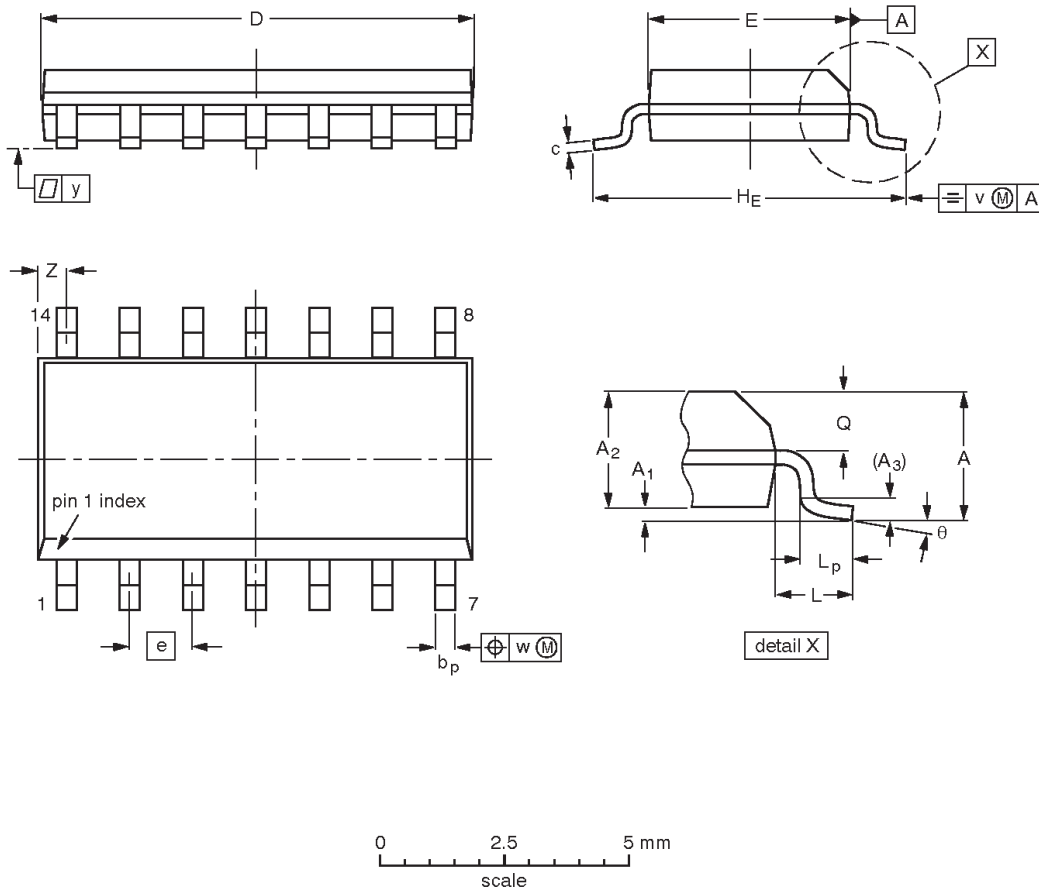
Figure 5. Application of the AU5783 transceiver

J1850/VPW transceiver with supply control function

AU5783

SO14: plastic small outline package; 14 leads; body width 3.9 mm

SOT108-1



DIMENSIONS (inch dimensions are derived from the original mm dimensions)

UNIT	A max.	A ₁	A ₂	A ₃	b _p	c	D ⁽¹⁾	E ⁽¹⁾	e	H _E	L	L _p	Q	v	w	y	Z ⁽¹⁾	θ
mm	1.75	0.25 0.10	1.45 1.25	0.25	0.49 0.36	0.25 0.19	8.75 8.55	4.0 3.8	1.27	6.2 5.8	1.05	1.0 0.4	0.7 0.6	0.25	0.25	0.1	0.7 0.3	8° 0°
inches	0.069	0.010 0.004	0.057 0.049	0.01	0.019 0.014	0.0100 0.0075	0.35 0.34	0.16 0.15	0.050	0.244 0.228	0.041	0.039 0.016	0.028 0.024	0.01	0.01	0.004	0.028 0.012	

Note

1. Plastic or metal protrusions of 0.15 mm maximum per side are not included.

OUTLINE VERSION	REFERENCES				EUROPEAN PROJECTION	ISSUE DATE
	IEC	JEDEC	EIAJ			
SOT108-1	076E06	MS-012				97-05-22 99-12-27

J1850/VPW transceiver with supply control function

AU5783

Data sheet status

Data sheet status	Product status	Definition [1]
Objective specification	Development	This data sheet contains the design target or goal specifications for product development. Specification may change in any manner without notice.
Preliminary specification	Qualification	This data sheet contains preliminary data, and supplementary data will be published at a later date. Philips Semiconductors reserves the right to make changes at any time without notice in order to improve design and supply the best possible product.
Product specification	Production	This data sheet contains final specifications. Philips Semiconductors reserves the right to make changes at any time without notice in order to improve design and supply the best possible product.

[1] Please consult the most recently issued datasheet before initiating or completing a design.

Definitions

Short-form specification — The data in a short-form specification is extracted from a full data sheet with the same type number and title. For detailed information see the relevant data sheet or data handbook.

Limiting values definition — Limiting values given are in accordance with the Absolute Maximum Rating System (IEC 134). Stress above one or more of the limiting values may cause permanent damage to the device. These are stress ratings only and operation of the device at these or at any other conditions above those given in the Characteristics sections of the specification is not implied. Exposure to limiting values for extended periods may affect device reliability.

Application information — Applications that are described herein for any of these products are for illustrative purposes only. Philips Semiconductors make no representation or warranty that such applications will be suitable for the specified use without further testing or modification.

Disclaimers

Life support — These products are not designed for use in life support appliances, devices or systems where malfunction of these products can reasonably be expected to result in personal injury. Philips Semiconductors customers using or selling these products for use in such applications do so at their own risk and agree to fully indemnify Philips Semiconductors for any damages resulting from such application.

Right to make changes — Philips Semiconductors reserves the right to make changes, without notice, in the products, including circuits, standard cells, and/or software, described or contained herein in order to improve design and/or performance. Philips Semiconductors assumes no responsibility or liability for the use of any of these products, conveys no license or title under any patent, copyright, or mask work right to these products, and makes no representations or warranties that these products are free from patent, copyright, or mask work right infringement, unless otherwise specified.

Bare Die — All die are tested and guaranteed to comply with all data sheet limits up to the point of wafer sawing for a period of ninety (90) days from the date of Philips' delivery. If there are data sheet limits that are not guaranteed, these will be separately indicated in the data sheet. There are no post packing tests performed on individual die or wafers. Philips Semiconductors has no control over third party procedures in the sawing, handling, packing, or assembly of the die. Accordingly, Philips Semiconductors assumes no liability for device functionality or performance of the die or system after third party sawing, handling, packaging, or assembly of the die. It is the responsibility of the customer to test and qualify their application in which the die is used.

Philips Semiconductors
811 East Arques Avenue
P.O. Box 3409
Sunnyvale, California 94088-3409
Telephone 800-234-7381

© Copyright Philips Electronics North America Corporation 2001
All rights reserved. Printed in U.S.A.

Date of release: 02-01

Document order number:

9397 750 08083

Let's make things better.

Philips
Semiconductors



PHILIPS

Looking for pricing, stock, or lifecycle information?

Click below to explore more details on WIN SOURCE:

 [View AU5783D,512 on WIN SOURCE](#)

 [NXP / Nexperia Information](#)

Optimize Your Supply Chain with WIN SOURCE Solutions

-  Global Sourcing Solution
-  Obsolete Management
-  Cost Control Management
-  Shortage Management
-  Alternative Solution
-  Excess Inventory Management