



**THE DATASHEET OF  
LTC1322CSW#TRPBF**



## FEATURES

- **LTC1321: 2-EIA562/RS232 Transceivers/2-RS485 Transceivers**
- **LTC1322: 4-EIA562/RS232 Transceivers/2-RS485 Transceivers**
- **LTC1335: 4-EIA562 Transceivers/2-RS485 Transceivers with OE**
- LTC1321/LTC1322 Have the Same Pinout as SP301/SP302
- LTC1335 Features Receiver Three-State Outputs
- Low Supply Current: **1mA Typical**
- 15 $\mu$ A Supply Current in Shutdown
- 120kBaud in EIA/TIA-562 or RS232 Mode
- 10MBaud in RS485/RS422 Mode
- Self-Testing Capability in Loopback Mode
- Power-Up/Down Glitch-Free Outputs
- Driver Maintains High Impedance in Three-State, Shutdown or With Power Off
- Thermal Shutdown Protection
- I/O Lines Can Withstand  $\pm 25$ V
- Withstands Repeated 10kV ESD Pulses

## APPLICATIONS

- Low Power RS485/RS422/EIA562/RS232 Interface
- Cable Repeater
- Level Translator

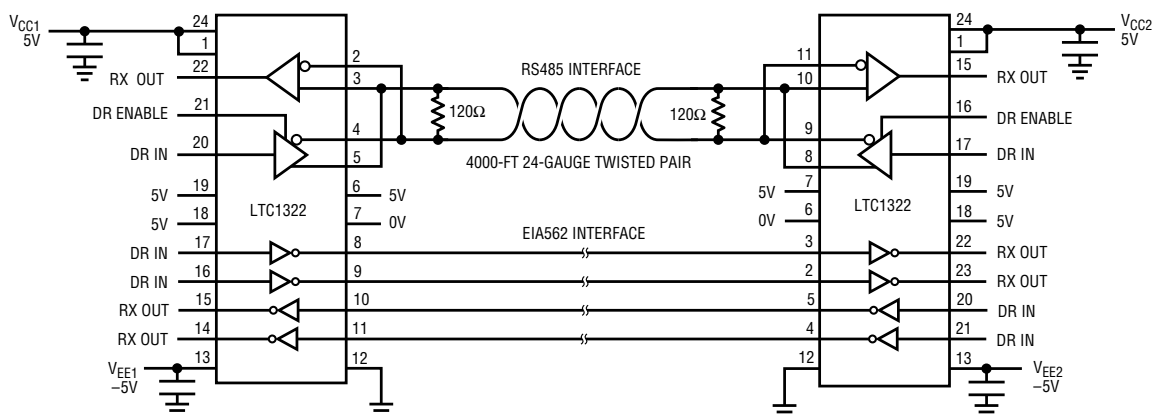
## DESCRIPTION

The LTC1321/LTC1322/LTC1335 are low power CMOS bidirectional transceivers, each featuring two reconfigurable interface ports. Each can be configured as two RS485 differential ports, as two single-ended ports, or as one RS485 differential port and one single-ended port. The LTC1321/LTC1322 can provide RS232 or EIA562 compatible single-ended outputs; the LTC1335 provides EIA562 compatible outputs and additionally includes an output enable pin, allowing the receiver logic level outputs to be three-stated.

The RS232/EIA562 transceivers operate to 120kbaud and are in full compliance with EIA/TIA-562 specification. The RS485 transceivers operate to 10Mbaud and are in full compliance with RS485 and RS422 specifications. All interface drivers feature short-circuit and thermal shutdown protection. An enable pin allows RS485 driver outputs to be forced into high impedance which is maintained even when the outputs are forced beyond supply rails or power is off. Both driver outputs and receiver inputs feature  $\pm 10$ kV ESD protection. A loopback mode connects the driver outputs back to the receiver inputs for diagnostic self-test.

The LTC1321/LTC1322 can support RS232 voltage levels when  $6.5\text{V} \leq V_{DD} \leq 10\text{V}$  and  $-6.5\text{V} \geq V_{EE} \geq -10\text{V}$ . The LTC1335 supports receiver output enable but not RS232 levels. A shutdown mode reduces the  $I_{CC}$  supply current to 15 $\mu$ A.

## TYPICAL APPLICATION



1321/22/35 TA01

# LTC1321/LTC1322/LTC1335

## ABSOLUTE MAXIMUM RATINGS

### Supply Voltage

$V_{CC}$ .....	6.5V
$V_{DD}$ (LTC1321/LTC1322 Only) .....	10V
$V_{EE}$ .....	-10V

### Input Voltage

Drivers .....	-0.3V to ( $V_{CC} + 0.3V$ )
Receivers .....	-25V to 25V
ON/OFF, $\overline{LB}$ , SEL1, SEL2, $\overline{OE}$ .....	-0.3V to ( $V_{CC} + 0.3V$ )

### Output Voltage

Drivers .....	-25V to 25V
Receivers .....	-0.3V to ( $V_{CC} + 0.3V$ )
Output Short-Circuit Duration .....	Indefinite
Operating Temperature Range	
LTC1321C/LTC1322C/LTC1335C .....	0°C to 70°C
LTC1321I/LTC1322I/LTC1335I .....	-40°C to 85°C
Storage Temperature Range .....	-65°C to 150°C
Lead Temperature (Soldering, 10 sec) .....	300°C

## PACKAGE/ORDER INFORMATION

2 RS485 DRIVERS/RECEIVERS 2 EIA/TIA-562 DRIVERS/RECEIVERS	2 RS485 DRIVERS/RECEIVERS 4 EIA/TIA-562 DRIVERS/RECEIVERS	2 RS485 DRIVERS/RECEIVERS 4 EIA/TIA-562 DRIVERS/RECEIVERS
<p>TOP VIEW</p> <p>N PACKAGE 24-LEAD PLASTIC DIP</p> <p>S PACKAGE 24-LEAD PLASTIC SOL</p> <p><math>T_{JMAX} = 125^{\circ}C, \theta_{JA} = 75^{\circ}C/W</math> (N) <math>T_{JMAX} = 125^{\circ}C, \theta_{JA} = 85^{\circ}C/W</math> (S)</p>	<p>TOP VIEW</p> <p>N PACKAGE 24-LEAD PLASTIC DIP</p> <p>S PACKAGE 24-LEAD PLASTIC SOL</p> <p><math>T_{JMAX} = 125^{\circ}C, \theta_{JA} = 75^{\circ}C/W</math> (N) <math>T_{JMAX} = 125^{\circ}C, \theta_{JA} = 85^{\circ}C/W</math> (S)</p>	<p>TOP VIEW</p> <p>N PACKAGE 24-LEAD PLASTIC DIP</p> <p>S PACKAGE 24-LEAD PLASTIC SOL</p> <p><math>T_{JMAX} = 125^{\circ}C, \theta_{JA} = 75^{\circ}C/W</math> (N) <math>T_{JMAX} = 125^{\circ}C, \theta_{JA} = 85^{\circ}C/W</math> (S)</p>
ORDER PART NUMBER	ORDER PART NUMBER	ORDER PART NUMBER
LTC1321CN LTC1321CS LTC1321IN LTC1321IS	LTC1322CN LTC1322CS LTC1322IN LTC1322IS	LTC1335CN LTC1335CS LTC1335IN LTC1335IS

Consult factory for Military grade parts.

**DC ELECTRICAL CHARACTERISTICS** $V_{CC} = V_{DD}$  (LTC1321/LTC1322) = 5V  $\pm$ 5%,  $V_{EE} = -5V \pm$ 5% (Notes 2, 3)

SYMBOL	PARAMETER	CONDITIONS	MIN	TYP	MAX	UNITS	
<b>RS485 Driver (SEL1 = SEL2 = HIGH)</b>							
$V_{OD1}$	Differential Driver Output Voltage (Unloaded)	$I_O = 0$	●		5	V	
$V_{OD2}$	Differential Driver Output Voltage (With Load)	Figure 1, R = 50 $\Omega$ (RS422) Figure 1, R = 27 $\Omega$ (RS485)	● ●	2.0 1.5	5 5	V V	
$\Delta V_{OD}$	Change in Magnitude of Driver Differential Output Voltage for Complementary Output States	Figure 1, R = 27 $\Omega$ or R = 50 $\Omega$	●		0.2	V	
$V_{OC}$	Driver Common-Mode Output Voltage	Figure 1, R = 27 $\Omega$ or R = 50 $\Omega$	●		3	V	
$\Delta  V_{OC} $	Change in Magnitude of Driver Common-Mode Output Voltage for Complementary Output States	Figure 1, R = 27 $\Omega$ or R = 50 $\Omega$	●		0.2	V	
$I_{OSD}$	Driver Short-Circuit Current	$-7V \leq V_O \leq 12V$ , $V_O = \text{HIGH}$ $-7V \leq V_O \leq 12V$ , $V_O = \text{LOW}$ (Note 4)	● ●	35 10	250 250	mA mA	
$I_{OZD}$	Three-State Output Current (Y, Z)	$-7V \leq V_O \leq 12V$	●	$\pm 5$	$\pm 500$	$\mu\text{A}$	
<b>EIA/TIA-562 Driver (SEL1 = SEL2 = LOW)</b>							
$V_O$	Output Voltage Swing	Figure 4, $R_L = 3k$ , Positive Figure 4, $R_L = 3k$ , Negative	● ●	3.7 -3.7	4.2 -4.3	V V	
$I_{OSD}$	Output Short-Circuit Current	$V_O = 0V$	●	$\pm 11$	$\pm 60$	mA	
<b>Driver Inputs and Control Inputs</b>							
$V_{IH}$	Input High Voltage	D, DE, ON/OFF, SEL1, SEL2, $\overline{\text{LB}}$ OE (LTC1335)	● ●	2 2		V V	
$V_{IL}$	Input Low Voltage	D, DE, ON/OFF, SEL1, SEL2, $\overline{\text{LB}}$ OE (LTC1335)	● ●		0.8 0.8	V V	
$I_{IN}$	Input Current	D, SEL1, SEL2 DE, ON/OFF, LB OE (LTC1335)	● ● ●		$\pm 10$ -4 -15 4 15	$\mu\text{A}$ $\mu\text{A}$ $\mu\text{A}$	
<b>RS485 Receiver (SEL1 = SEL2 = HIGH)</b>							
$V_{TH}$	Differential Input Threshold Voltage	$-7V \leq V_{CM} \leq 7V$ , Commercial $-7V \leq V_{CM} \leq 7V$ , Industrial	● ●	-0.2 -0.3	0.2 0.3	V V	
$\Delta V_{TH}$	Input Hysteresis	$V_{CM} = 0V$	●	70		mV	
$I_{IN}$	Input Current (A, B)	$-7V \leq V_{IN} \leq 12V$	●		$\pm 1$	mA	
$R_{IN}$	Input Resistance	$-7V \leq V_{IN} \leq 12V$	●	12	24	k $\Omega$	
<b>EIA/TIA-562 Receiver (SEL1 = SEL2 = LOW)</b>							
$V_{TH}$	Receiver Input Voltage Threshold	Input Low Threshold Input High Threshold	● ●	0.8 1.1 1.7	2.4	V V	
$\Delta V_{TH}$	Receiver Input Hysteresis		●	0.1	0.6	1.0	V
$R_{IN}$	Receiver Input Resistance	$V_{IN} = \pm 10V$		3	5	7	k $\Omega$
<b>Receiver Output</b>							
$V_{OH}$	Receiver Output High Voltage	$I_O = -3\text{mA}$ , $V_{IN} = 0V$ , SEL1 = SEL2 = LOW	●	3.5	4.6	V	
$V_{OL}$	Receiver Output Low Voltage	$I_O = 3\text{mA}$ , $V_{IN} = 3V$ , SEL1 = SEL2 = LOW	●		0.2	0.4	V
$I_{OSR}$	Short-Circuit Current	$0V \leq V_O \leq V_{CC}$	●	7	85	mA	
$I_{OZR}$	Three-State Output Current	ON/OFF = 0V OE = $V_{CC}$ (LTC1335)	● ●		$\pm 10$ $\pm 10$	$\mu\text{A}$ $\mu\text{A}$	

## DC ELECTRICAL CHARACTERISTICS

$V_{CC} = V_{DD}$  (LTC1321/LTC1322) = 5V ±5%,  $V_{EE} = -5V \pm 5\%$  (Notes 2, 3)

SYMBOL	PARAMETER	CONDITIONS	MIN	TYP	MAX	UNITS
<b>Supply Currents</b>						
$I_{CC}$	$V_{CC}$ Supply Current	No Load (SEL1 = SEL2 = HIGH) Shutdown, ON/OFF = 0V	● ●	1000 15	2000 50	$\mu A$ $\mu A$
$I_{DD}$	$V_{DD}$ Supply Current (LTC1321/LTC1322)	No Load (SEL1 = SEL2 = LOW) Shutdown, ON/OFF = 0V	● ●	300 0.1	1000 50	$\mu A$ $\mu A$
$I_{EE}$	$V_{EE}$ Supply Current	No Load (SEL1 = SEL2 = HIGH) Shutdown, ON/OFF = 0V	● ●	-1000 -0.1	-2000 -50	$\mu A$ $\mu A$

## AC ELECTRICAL CHARACTERISTICS

$V_{CC} = V_{DD}$  (LTC1321/LTC1322) = 5V ±5%,  $V_{EE} = -5V \pm 5\%$  (Notes 2, 3)

SYMBOL	PARAMETER	CONDITIONS	MIN	TYP	MAX	UNITS	
<b>EIA/TIA-562 Mode (SEL1 = SEL2 = LOW)</b>							
SR	Slew Rate	Figure 4, $R_L = 3k$ , $C_L = 15pF$ Figure 4, $R_L = 3k$ , $C_L = 1000pF$	● ●	14 7	30	$V/\mu s$ $V/\mu s$	
$t_T$	Transition Time	Figure 4, $R_L = 3k$ , $C_L = 2500pF$	●	0.22	1.9	$\mu s$	
$t_{PLH}$	Driver Input to Output	Figures 4,10, $R_L = 3k$ , $C_L = 15pF$	●	0.6	4	$\mu s$	
$t_{PHL}$	Driver Input to Output	Figures 4,10, $R_L = 3k$ , $C_L = 15pF$	●	0.6	4	$\mu s$	
$t_{PLH}$	Receiver Input to Output	Figures 5,11	●	0.3	6	$\mu s$	
$t_{PHL}$	Receiver Input to Output	Figures 5,11	●	0.4	6	$\mu s$	
<b>RS485 Mode (SEL1 = SEL2 = HIGH)</b>							
$t_{PLH}$	Driver Input to Output	Figures 2,7, $R_L = 54\Omega$ , $C_L = 100pF$	●	20	40	70	ns
$t_{PHL}$	Driver Input to Output	Figures 2,7, $R_L = 54\Omega$ , $C_L = 100pF$	●	20	40	70	ns
$t_{SKEW}$	Driver Output to Output	Figures 2,7, $R_L = 54\Omega$ , $C_L = 100pF$	●	5	15	ns	
$t_r, t_f$	Driver Rise or Fall Time	Figures 2,7, $R_L = 54\Omega$ , $C_L = 100pF$	●	3	15	40	ns
$t_{ZL}$	Driver Enable to Output Low	Figures 3,8, $C_L = 100pF$ , S1 Closed	●	50	90	ns	
$t_{ZH}$	Driver Enable to Output High	Figures 3,8, $C_L = 100pF$ , S2 Closed	●	50	90	ns	
$t_{LZ}$	Driver Disable from Low	Figures 3,8, $C_L = 15pF$ , S1 Closed	●	50	90	ns	
$t_{HZ}$	Driver Disable from High	Figures 3,8, $C_L = 15pF$ , S2 Closed	●	60	90	ns	
$t_{PLH}$	Receiver Input to Output	Figures 2,9, $R_L = 54\Omega$ , $C_L = 100pF$	●	20	60	140	ns
$t_{PHL}$	Receiver Input to Output	Figures 2,9, $R_L = 54\Omega$ , $C_L = 100pF$	●	20	70	140	ns
$t_{SKEW}$	Differential Receiver Skew, $ t_{PLH} - t_{PHL} $	Figures 2,9, $R_L = 54\Omega$ , $C_L = 100pF$	●	10	ns		
<b>Receiver Output Enable/Disable (LTC1335)</b>							
$t_{ZL}$	Receiver Enable to Output Low	Figures 6,12, $C_L = 15pF$ , S1 Closed	●	40	90	ns	
$t_{ZH}$	Receiver Enable to Output High	Figures 6,12, $C_L = 15pF$ , S2 Closed	●	40	90	ns	
$t_{LZ}$	Receiver Disable from Low	Figures 6,12, $C_L = 15pF$ , S1 Closed	●	40	90	ns	
$t_{HZ}$	Receiver Disable from High	Figures 6,12, $C_L = 15pF$ , S2 Closed	●	50	90	ns	

The ● denotes specifications which apply over the full operating temperature range.

**Note 1:** Absolute maximum ratings are those values beyond which the safety of the device cannot be guaranteed.

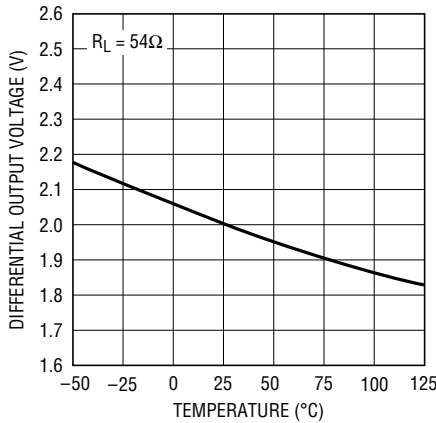
**Note 2:** All currents into device pins are positive; all currents out of device pins are negative. All voltages are referenced to device ground unless otherwise specified.

**Note 3:** All typicals are given at  $V_{CC} = V_{DD}$  (LTC1321/LTC1322) = 5V,  $V_{EE} = -5V$ , and  $T_A = 25^\circ C$ .

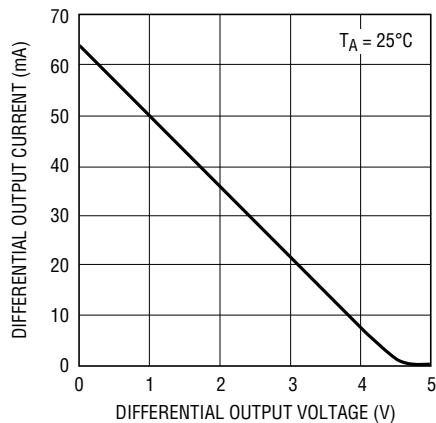
**Note 4:** Short-circuit current for RS485 driver output low state folds back above  $V_{CC}$ . Peak current occurs around  $V_O = 3V$ .

# TYPICAL PERFORMANCE CHARACTERISTICS

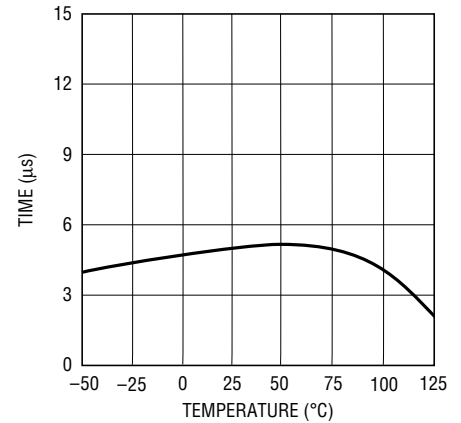
**RS485 Driver Differential Output Voltage vs Temperature**



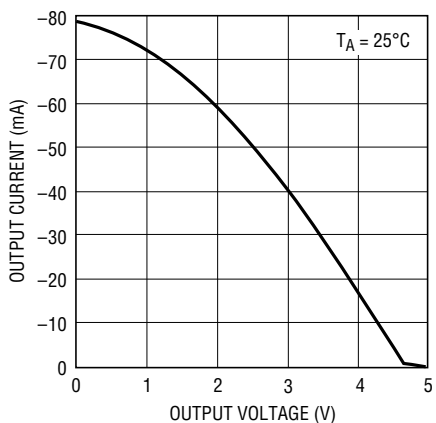
**RS485 Driver Differential Output Current vs Output Voltage**



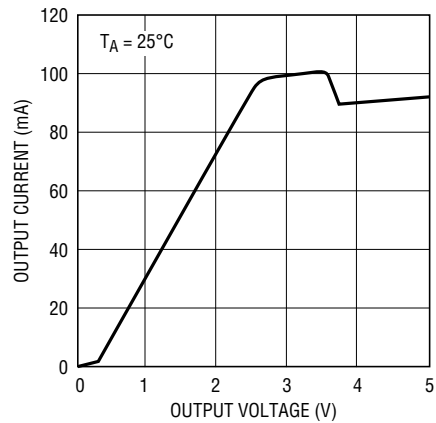
**RS485 Driver Skew vs Temperature**



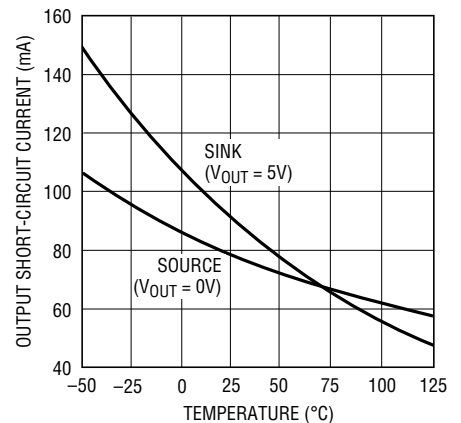
**RS485 Driver Output High Voltage vs Output Current**



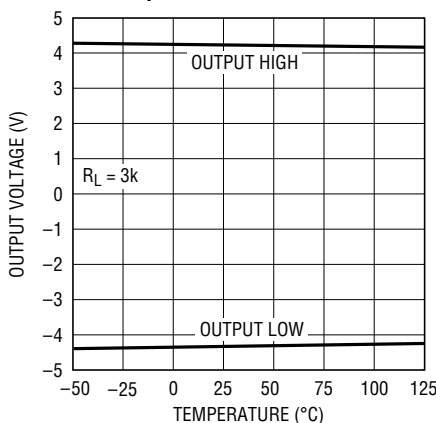
**RS485 Driver Output Low Voltage vs Output Current**



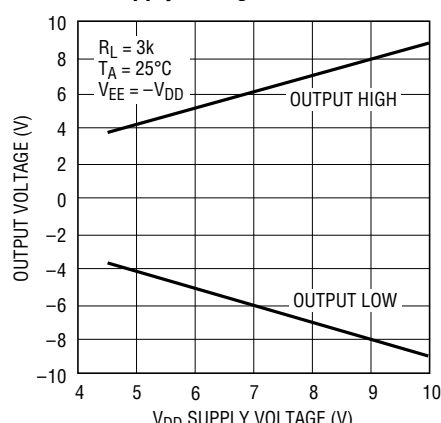
**RS485 Driver Output Short-Circuit Current vs Temperature**



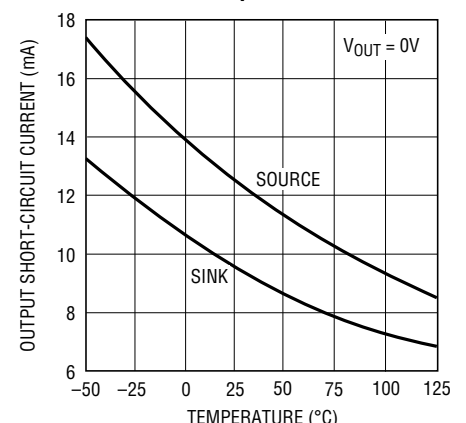
**EIA562 Driver Output Voltage vs Temperature**



**EIA562 Driver Output Voltage vs Supply Voltage**

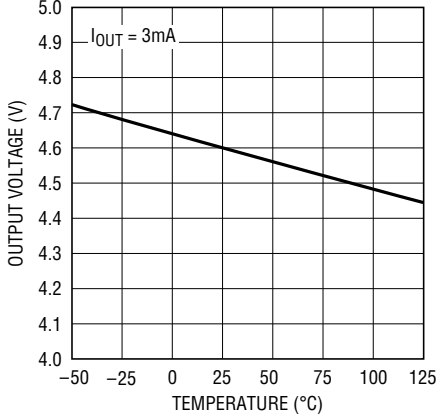


**EIA562 Driver Output Short-Circuit Current vs Temperature**



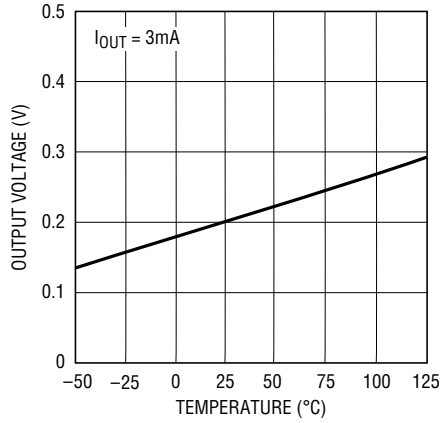
# TYPICAL PERFORMANCE CHARACTERISTICS

**Receiver Output High Voltage vs Temperature**



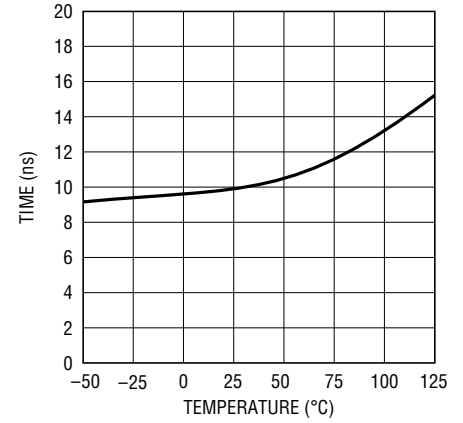
1321 G10

**Receiver Output Low Voltage vs Temperature**



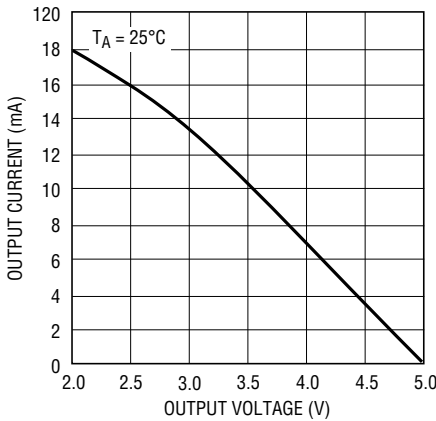
1321 G11

**RS485 Receiver | t<sub>PLH</sub> - t<sub>PHL</sub> | vs Temperature**



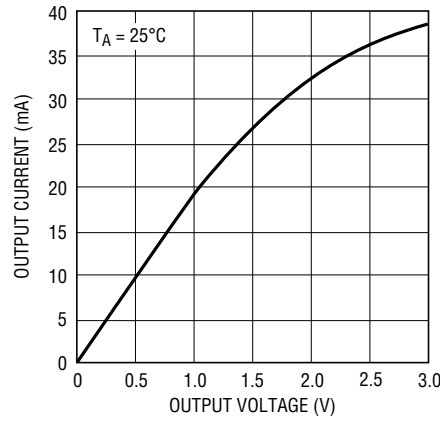
1321 G12

**Receiver Output Current vs Output High Voltage**



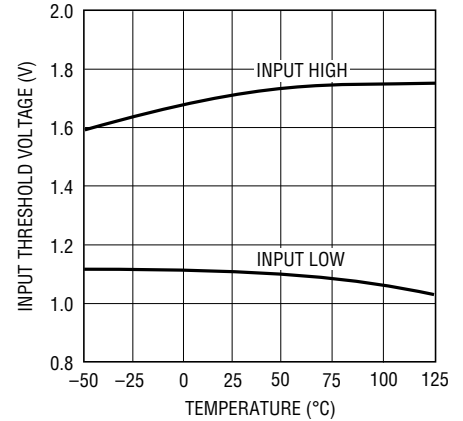
1321 G13

**Receiver Output Current vs Output Low Voltage**



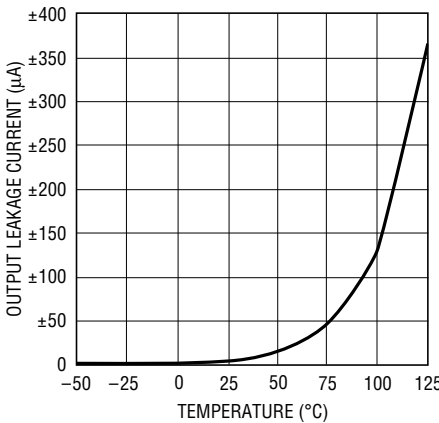
1321 G14

**EIA562 Receiver Input Threshold Voltage vs Temperature**



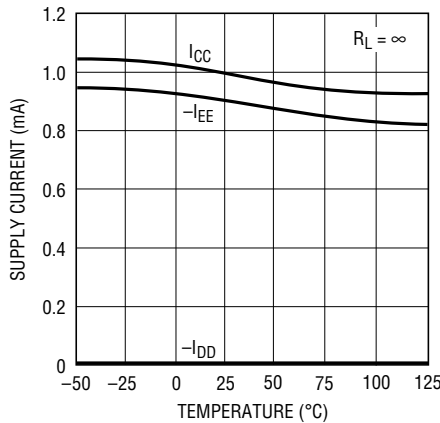
1321 G15

**Driver Output Leakage Current (Disable/Shutdown) vs Temperature**



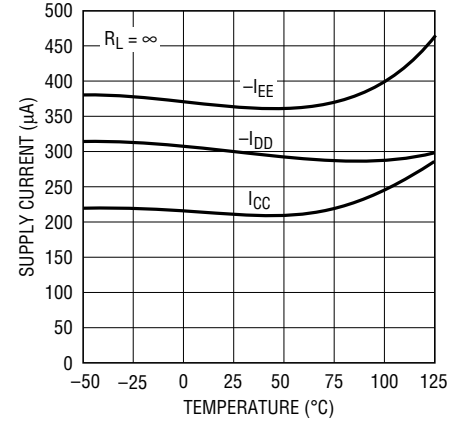
1321 G06

**Supply Current in RS485 Mode vs Temperature (Both Ports)**



1321 G17

**Supply Current in EIA562 Mode vs Temperature (Both Ports)**



1321 G18

## PIN FUNCTIONS

### LTC1321

**V<sub>DD</sub> (Pin 1):** Positive Supply Input for EIA/TIA-562 Drivers.

**B1 (Pin 2):** Receiver Input.

**A1 (Pin 3):** Receiver Input.

**Z1 (Pin 4):** Driver Output.

**Y1 (Pin 5):** Driver Output.

**SEL1 (Pin 6):** Interface Mode Select Input.

**SEL2 (Pin 7):** Interface Mode Select Input.

**Y2 (Pin 8):** Driver Output.

**Z2 (Pin 9):** Driver Output.

**A2 (Pin 10):** Receiver Input.

**B2 (Pin 11):** Receiver Input.

**GND (Pin 12):** Ground.

**V<sub>EE</sub> (Pin 13):** Negative Supply.

**NC (Pin 14):** No Connection.

**R<sub>A2</sub> (Pin 15):** Receiver Output.

**DE2 (Pin 16):** Driver Enable with Internal Pull-Up in RS485 Mode.

**D<sub>Y2</sub> (Pin 17):** Driver Input.

**ON/OFF (Pin 18):** A HIGH logic input enables the transceivers. A LOW puts the device into shutdown mode and reduces I<sub>CC</sub> to 15μA. This pin has an internal pull-up.

**LB (Pin 19):** Loopback Control Input. A LOW logic level enables loopback connections. This pin has an internal pull-up.

**D<sub>Y1</sub> (Pin 20):** Driver Input.

**DE1 (Pin 21):** Driver Enable with Internal Pull-Up in RS485 Mode.

**R<sub>A1</sub> (Pin 22):** Receiver Output.

**NC (Pin 23):** No Connection.

**V<sub>CC</sub> (Pin 24):** Positive Supply;  $4.75V \leq V_{CC} \leq 5.25V$ .

### LTC1322/LTC1335

**OE/V<sub>DD</sub> (Pin 1):** For LTC1335, pin 1 is the receiver output enable with internal pull-down. For LTC1322, pin 1 is the positive supply input for EIA/TIA-562 drivers.

**B1 (Pin 2):** Receiver Input.

**A1 (Pin 3):** Receiver Input.

**Z1 (Pin 4):** Driver Output.

**Y1 (Pin 5):** Driver Output.

**SEL1 (Pin 6):** Interface Mode Select Input.

**SEL2 (Pin 7):** Interface Mode Select Input.

**Y2 (Pin 8):** Driver Output.

**Z2 (Pin 9):** Driver Output.

**A2 (Pin 10):** Receiver Input.

**B2 (Pin 11):** Receiver Input.

**GND (Pin 12):** Ground.

**V<sub>EE</sub> (Pin 13):** Negative Supply.

**R<sub>B2</sub> (Pin 14):** Receiver Output.

**R<sub>A2</sub> (Pin 15):** Receiver Output.

**D<sub>Z2</sub>/DE2 (Pin 16):** EIA/TIA-562 Driver Input in EIA562 Mode. RS485 Driver Enable with Internal Pull-Up in RS485 Mode.

**D<sub>Y2</sub> (Pin 17):** Driver Input.

**ON/OFF (Pin 18):** A HIGH logic input enables the transceivers. A LOW puts the device into shutdown mode and reduces I<sub>CC</sub> to 15μA. This pin has an internal pull-up.

**LB (Pin 19):** Loopback Control Input. A LOW logic level enables loopback connections. This pin has an internal pull-up.

**D<sub>Y1</sub> (Pin 20):** Driver Input.

**D<sub>Z1</sub>/DE1 (Pin 21):** EIA/TIA-562 Driver Input in EIA562 Mode. RS485 Driver Enable with Internal Pull-Up in RS485 Mode.

**R<sub>A1</sub> (Pin 22):** Receiver Output.

**R<sub>B1</sub> (Pin 23):** Receiver Output.

**V<sub>CC</sub> (Pin 24):** Positive Supply;  $4.75V \leq V_{CC} \leq 5.25V$ .

## FUNCTION TABLES

### LTC1321

#### RS485 Driver Mode

INPUTS				LINE CONDITION	OUTPUTS	
ON/OFF	SEL	DE	D		Y	Z
1	1	1	0	No Fault	0	1
1	1	1	1	No Fault	1	0
1	1	1	X	Fault	Z	Z
1	1	0	X	X	Z	Z
0	1	X	X	X	Z	Z

#### RS485 Receiver Mode

INPUTS			OUTPUT R
ON/OFF	SEL	A – B	
1	1	< -0.2V	0
1	1	> 0.2V	1
1	1	Inputs Open	1
0	1	X	Z

#### RS232/EIA562 Driver Mode

INPUTS			LINE CONDITION	OUTPUT Y
ON/OFF	SEL	D		
1	0	0	No Fault	1
1	0	1	No Fault	0
1	0	X	Fault	Z
0	0	X	X	Z

#### RS232/EIA562 Receiver Mode

INPUTS			OUTPUT R
ON/OFF	SEL	A	
1	0	0	1
1	0	1	0
1	0	Inputs Open	1
0	0	X	Z

### LTC1322

#### RS485 Driver Mode

INPUTS				LINE CONDITION	OUTPUTS	
ON/OFF	SEL	DE	D		Y	Z
1	1	1	0	No Fault	0	1
1	1	1	1	No Fault	1	0
1	1	1	X	Fault	Z	Z
1	1	0	X	X	Z	Z
0	1	X	X	X	Z	Z

#### RS485 Receiver Mode

INPUTS			OUTPUT R
ON/OFF	SEL	A – B	
1	1	< -0.2V	0
1	1	> 0.2V	1
1	1	Inputs Open	1
0	1	X	Z

#### RS232/EIA562 Driver Mode

INPUTS			LINE CONDITION	OUTPUT Y, Z
ON/OFF	SEL	D		
1	0	0	No Fault	1
1	0	1	No Fault	0
1	0	X	Fault	Z
0	0	X	X	Z

#### RS232/EIA562 Receiver Mode

INPUTS			OUTPUT R
ON/OFF	SEL	A OR B	
1	0	0	1
1	0	1	0
1	0	Input Open	1
0	0	X	Z

# FUNCTION TABLES

## LTC1335

### RS485 Driver Mode

INPUTS				LINE CONDITION	OUTPUTS	
ON/OFF	SEL	DE	D		Y	Z
1	1	1	0	No Fault	0	1
1	1	1	1	No Fault	1	0
1	1	1	X	Fault	Z	Z
1	1	0	X	X	Z	Z
0	1	X	X	X	Z	Z

### RS485 Receiver Mode

INPUTS				A - B	OUTPUT R
ON/OFF	SEL	OE	A - B		
1	1	0	< -0.2V	0	
1	1	0	> 0.2V	1	
1	1	0	Inputs Open	1	
1	1	1	X	Z	
0	1	X	X	Z	

### EIA562 Driver Mode

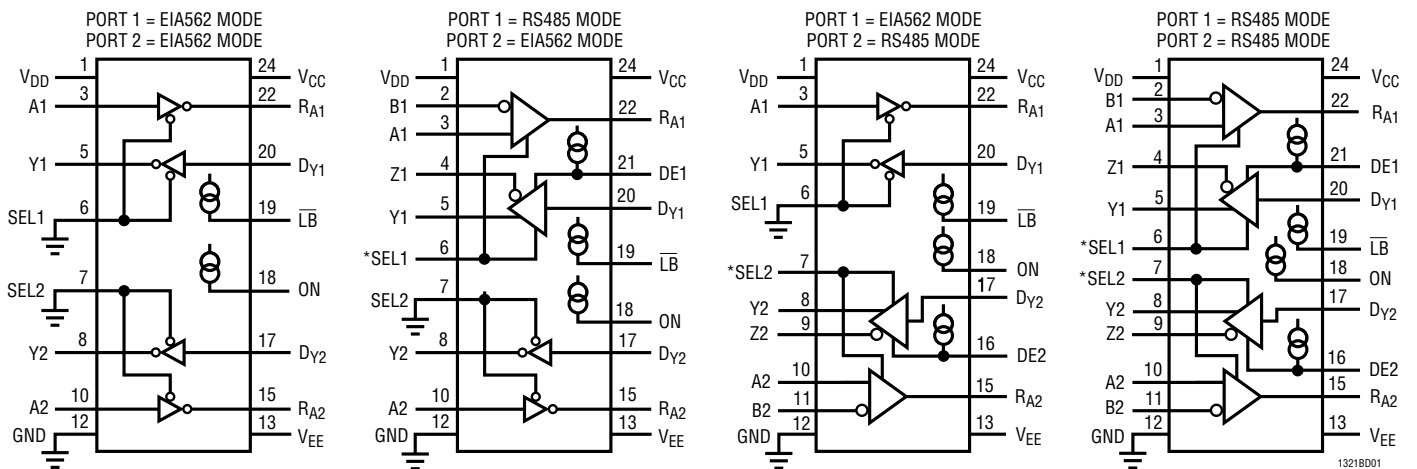
INPUTS			LINE CONDITION	OUTPUT Y, Z
ON/OFF	SEL	D		
1	0	0	No Fault	1
1	0	1	No Fault	0
1	0	X	Fault	Z
0	0	X	X	Z

### EIA562 Receiver Mode

INPUTS				A OR B	OUTPUT R
ON/OFF	SEL	OE	A OR B		
1	0	0	0	1	
1	0	0	1	0	
1	0	0	Input Open	1	
1	0	1	X	Z	
0	0	X	X	Z	

# BLOCK DIAGRAMS

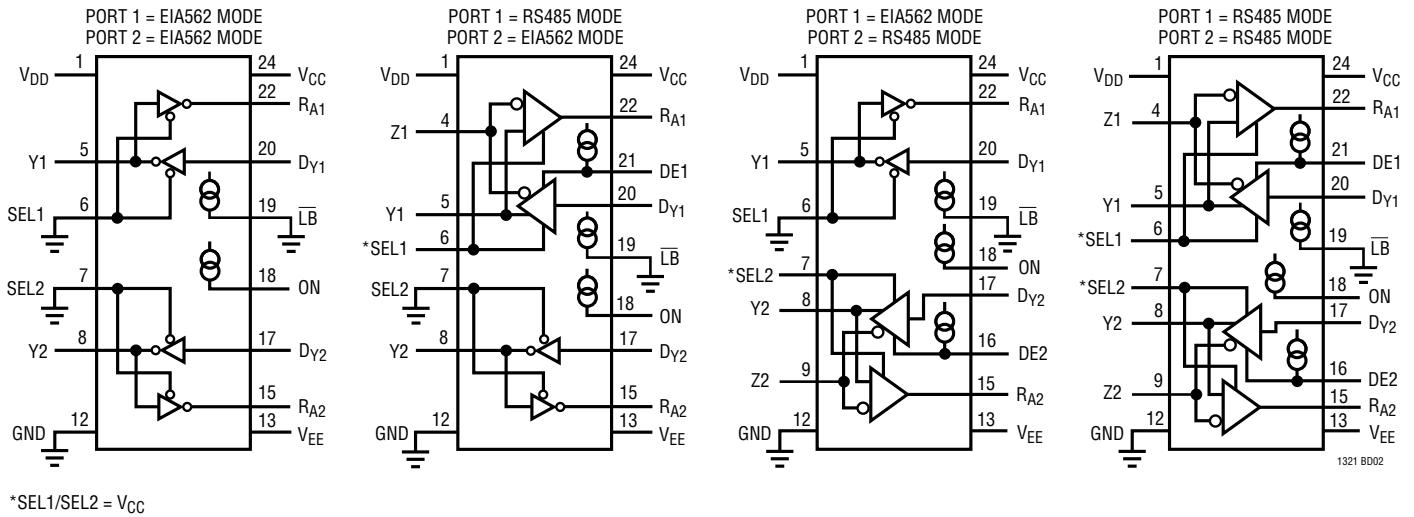
## LTC1321 Interface Configuration Without Loopback



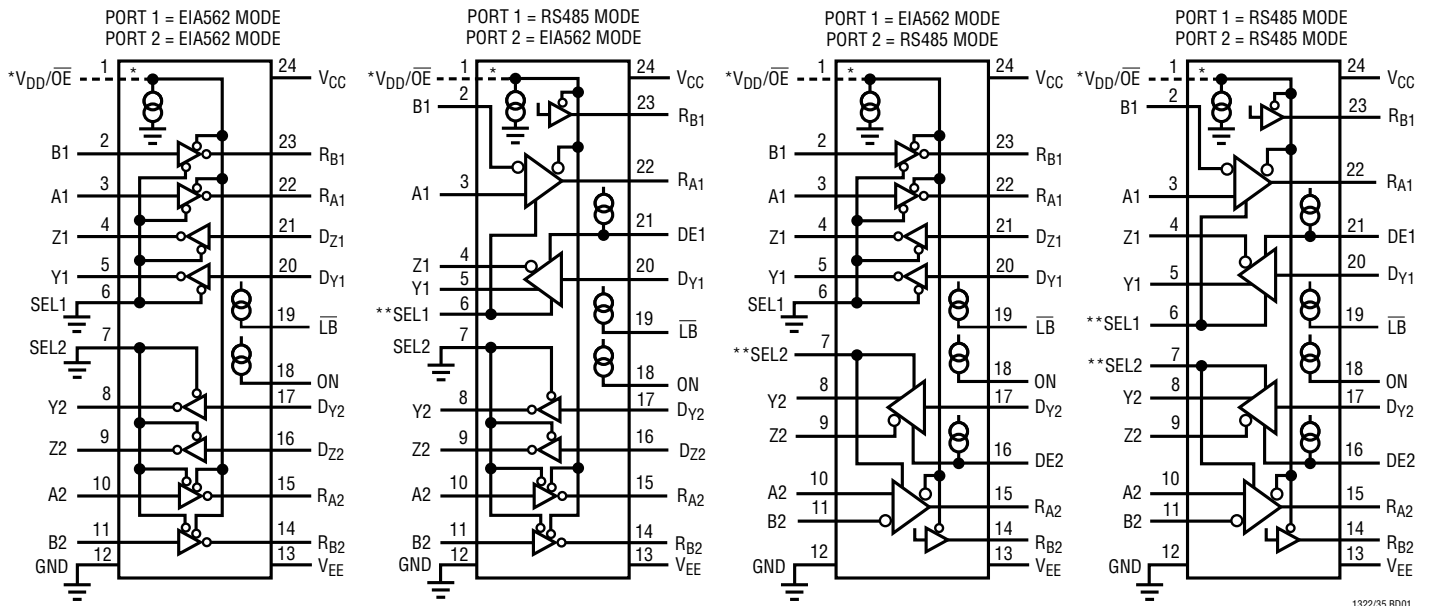
\* SEL1/SEL2 = VCC

## BLOCK DIAGRAMS

### LTC1321 Interface Configuration With Loopback



### LTC1322/LTC1335 Interface Configuration Without Loopback

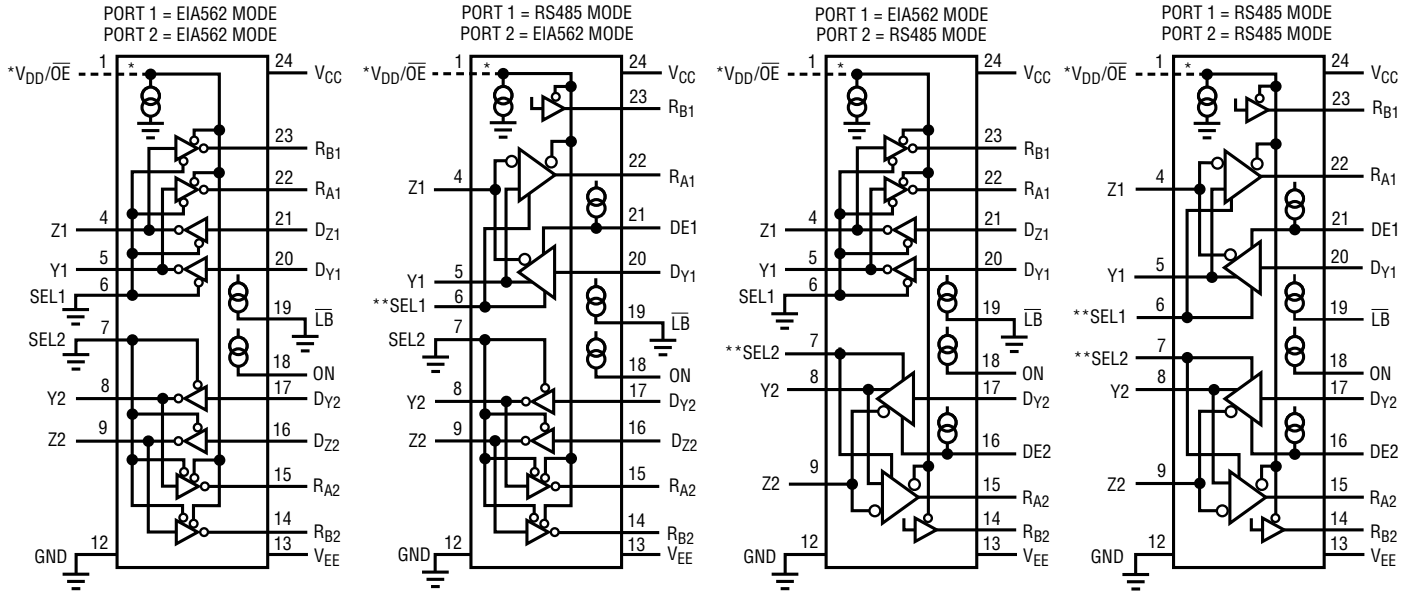


\* FOR LTC1322 ONLY, PIN 1 IS V<sub>DD</sub>, AND  $\overline{O}E$  IS ALWAYS ENABLED.  
FOR LTC1335, PIN 1 IS  $\overline{O}E$ , AND V<sub>DD</sub> IS CONNECTED TO V<sub>CC</sub>.

\*\* SEL1/SEL2 = V<sub>CC</sub>.

# BLOCK DIAGRAMS

## LTC1322/LTC1335 Interface Configuration With Loopback



\* FOR LTC1322 ONLY, PIN 1 IS  $V_{DD}$ , AND  $\overline{OE}$  IS ALWAYS ENABLED.  
 FOR LTC1335, PIN 1 IS  $\overline{OE}$ , AND  $V_{DD}$  IS CONNECTED TO  $V_{CC}$ .

\*\*SEL1/SEL2 =  $V_{CC}$ .

1322/35 B002

# TEST CIRCUITS

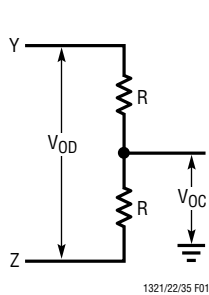


Figure 1. RS485 Driver Test Load

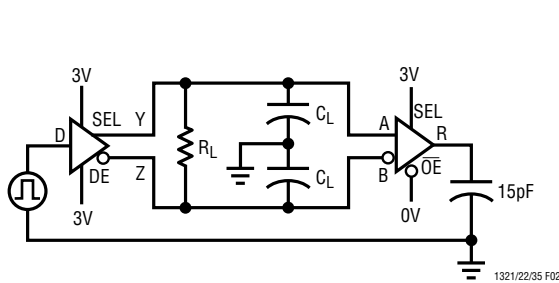


Figure 2. RS485 Driver/Receiver Timing Test Circuit

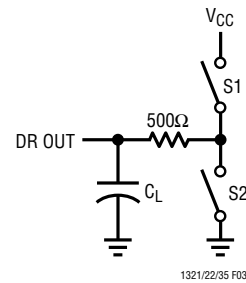


Figure 3. RS485 Driver Output Enable/Disable Timing Test Load

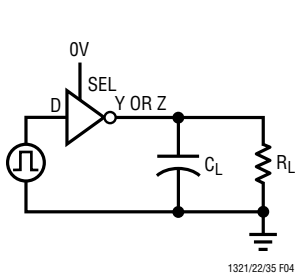


Figure 4. EIA/TIA-562 Driver Timing Test Circuit

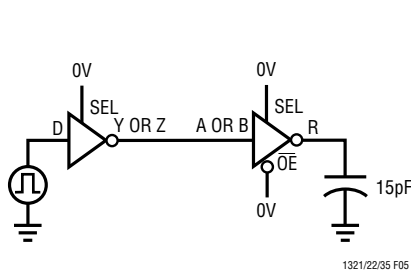


Figure 5. EIA/TIA-562 Receiver Timing Test Circuit

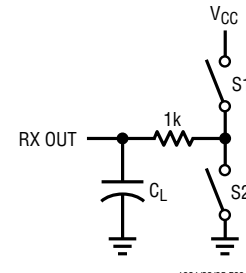


Figure 6. Receiver Output Enable/Disable Timing Test Load

# SWITCHING WAVEFORMS

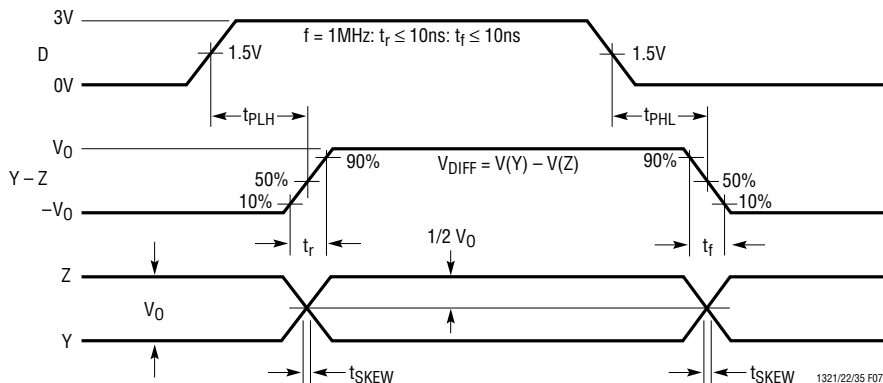


Figure 7. RS485 Driver Propagation Delays

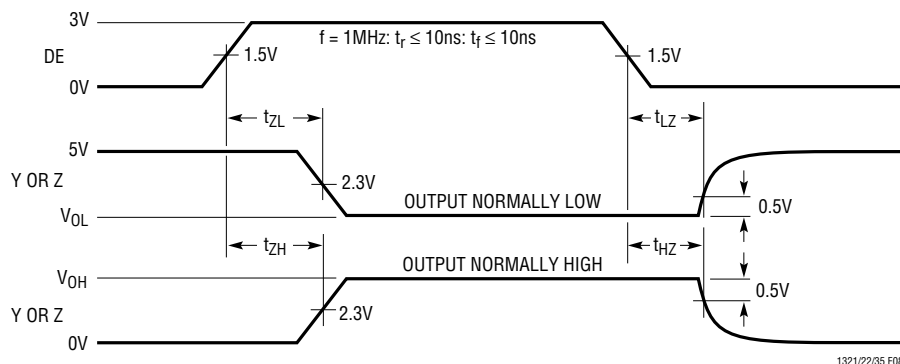


Figure 8. RS485 Driver Enable and Disable Times

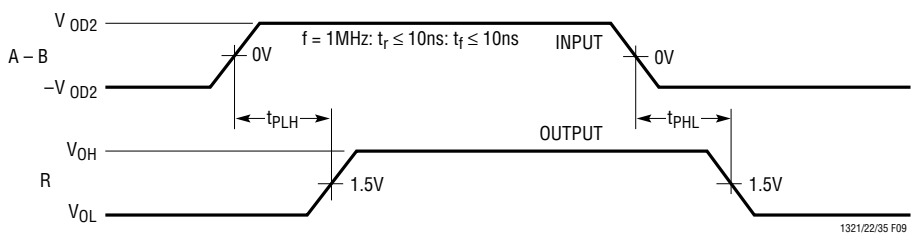


Figure 9. RS485 Receiver Propagation Delays

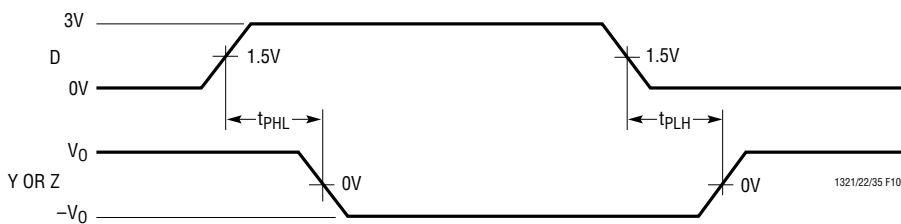


Figure 10. EIA/TIA-562 Driver Propagation Delays

## SWITCHING WAVEFORMS

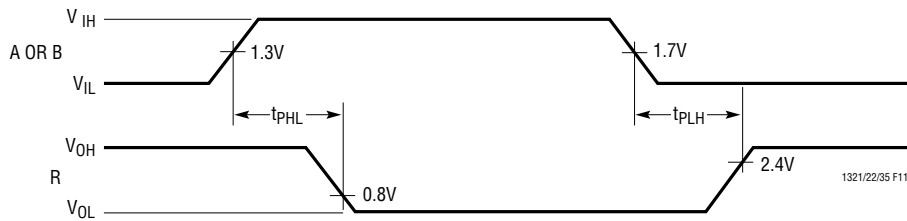


Figure 11. EIA/TIA-562 Receiver Propagation Delays

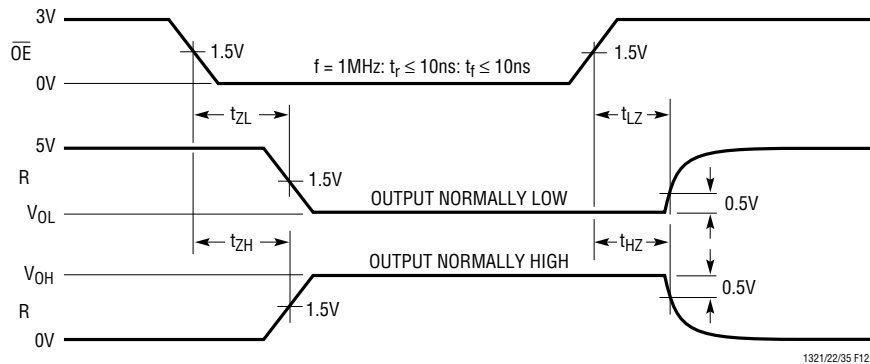


Figure 12. Receiver Enable and Disable Times

## APPLICATIONS INFORMATION

### Basic Theory of Operation

The LTC1321/LTC1322/LTC1335 each have two interface ports. Each port may be configured as single-ended EIA562 transceiver(s) or differential RS485 transceiver by forcing the port's selection input to a LOW or HIGH, respectively. The LTC1321 provides one EIA562 driver and one EIA562 receiver per port to maintain same pinout as SP301. The LTC1322 and LTC1335 each provide two drivers and two receivers per port. Additionally, the LTC1321 and LTC1322 single-ended ports are RS232 compatible with higher  $V_{DD}$  and  $V_{EE}$  supply levels.

All the interface drivers feature three-state outputs. Interface outputs are forced into high impedance when the driver is disabled, in the shutdown mode, or with the power off.

All the interface driver outputs are fault protected by a current limiting and thermal shutdown circuit. The thermal shutdown circuit disables both the EIA562 and RS485 driver outputs when the die temperature reaches 150°C. The thermal shutdown circuit enables the drivers when the die temperature cools to 135°C.

In RS485 mode, shutdown mode or with the power off, the input resistance of the receiver is 24k. The input resistance drops to 6.3k in EIA562 mode.

A logic LOW at the  $\overline{OE}$  pin shuts down the device and forces all the outputs into a high impedance state. A logic HIGH enables the device. An internal 4 $\mu$ A current source to  $V_{CC}$  pulls the  $\overline{OE}$  pin HIGH if left open.

In RS485 mode, an internal 4 $\mu$ A current source pulls the driver enable pin HIGH if left open. The RS485 receiver has a 4 $\mu$ A current source at the noninverting input. If both the RS485 receiver inputs are open, the output is a high state. Both the current sources are disabled in the EIA562 mode.

For LTC1335, a logic LOW at the  $\overline{OE}$  pin enables all the receiver outputs and a logic HIGH disables all the receiver outputs. An internal 4 $\mu$ A current source pulls the  $\overline{OE}$  pin LOW if left open.

A loopback mode enables internal connections from driver outputs to receiver inputs for self-test when the

## APPLICATIONS INFORMATION

$\overline{\text{LB}}$  pin has a LOW logic state. The driver outputs are not isolated from the external loads. This allows transmitter verification under the loaded condition. An internal 4 $\mu\text{A}$  current source pulls the  $\overline{\text{LB}}$  pin HIGH if left open and disables the loopback configuration.

### EIA562/RS485 Applications

EIA562 and RS485 output levels are supported when LTC1321/LTC1322/LTC1335 are powered from  $\pm 5\text{V}$  supplies. The LTC1321/LTC1322 require the  $V_{\text{DD}}$  and  $V_{\text{CC}}$  pins to be tied together and connected to 5V supply (Figure 13). The  $V_{\text{DD}}$  and  $V_{\text{CC}}$  are connected internally and brought out at  $V_{\text{CC}}$  pin in the LTC1335. The unloaded outputs will swing from  $-5\text{V}$  to  $5\text{V}$  in EIA562 mode, and from  $0\text{V}$  to  $5\text{V}$  in RS485 mode.

### RS232/RS485 Applications

If true RS232-compatible outputs are required, the LTC1321/LTC1322 may be used with the  $V_{\text{DD}}$  and  $V_{\text{EE}}$  supply voltages increased to provide the additional signal swing. To meet RS232,  $V_{\text{DD}}$  must be between  $6.5\text{V}$  and  $10\text{V}$ , and  $V_{\text{EE}}$  must be between  $-6.5\text{V}$  and  $-10\text{V}$ .  $V_{\text{CC}}$  remains connected to  $5\text{V}$ . If only  $\pm 12\text{V}$  supplies are available, inexpensive Zener diodes (Z1 and Z2) may be connected in series with  $V_{\text{DD}}$  and  $V_{\text{EE}}$  supply pins as shown in Figure 14. An optional 16V Zener diode between  $V_{\text{CC}}$  and  $V_{\text{EE}}$  is recommended to keep the maximum voltage between  $V_{\text{CC}}$  and  $V_{\text{EE}}$  within safe limits.

### LocalTalk®/AppleTalk® Applications

The LTC1321/LTC1322/LTC1335 can be used to provide AppleTalk/LocalTalk-compatible signals in RS485 mode. Figure 15 shows one half of an LTC1335 connected to an LTC1320 AppleTalk transceiver in a typical LocalTalk configuration. Figure 16 shows a typical direct-wire connection with the LTC1335 as the DCE transceiver and the LTC1320 as the DTE transceiver. The LTC1321/LTC1322/LTC1335 RS485 mode is capable of meeting all AppleTalk protocol specifications.

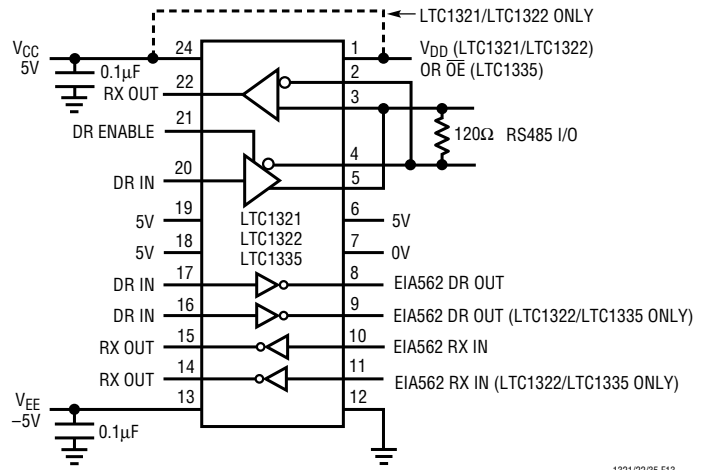


Figure 13. EIA562/RS485 Interfaces with  $\pm 5\text{V}$  Supplies

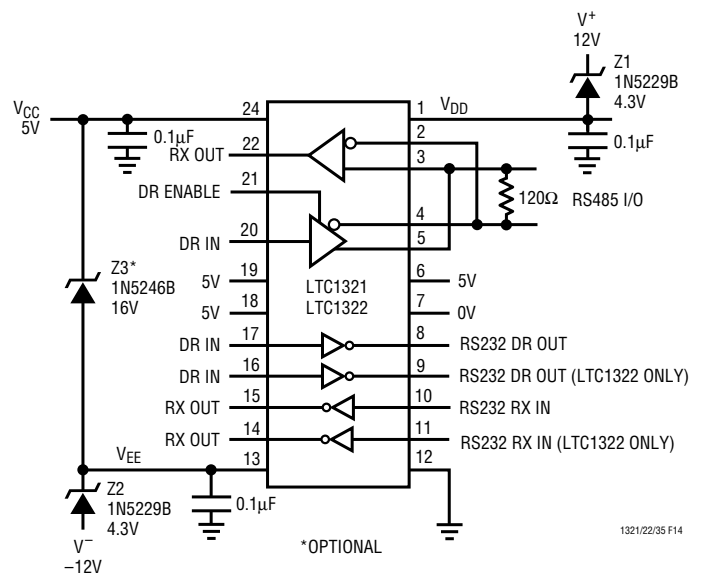


Figure 14. RS232/RS485 Interfaces with  $5\text{V}$ ,  $\pm 12\text{V}$  Supplies

LocalTalk and AppleTalk are registered trademarks of Apple Computer, Inc.

APPLICATIONS INFORMATION

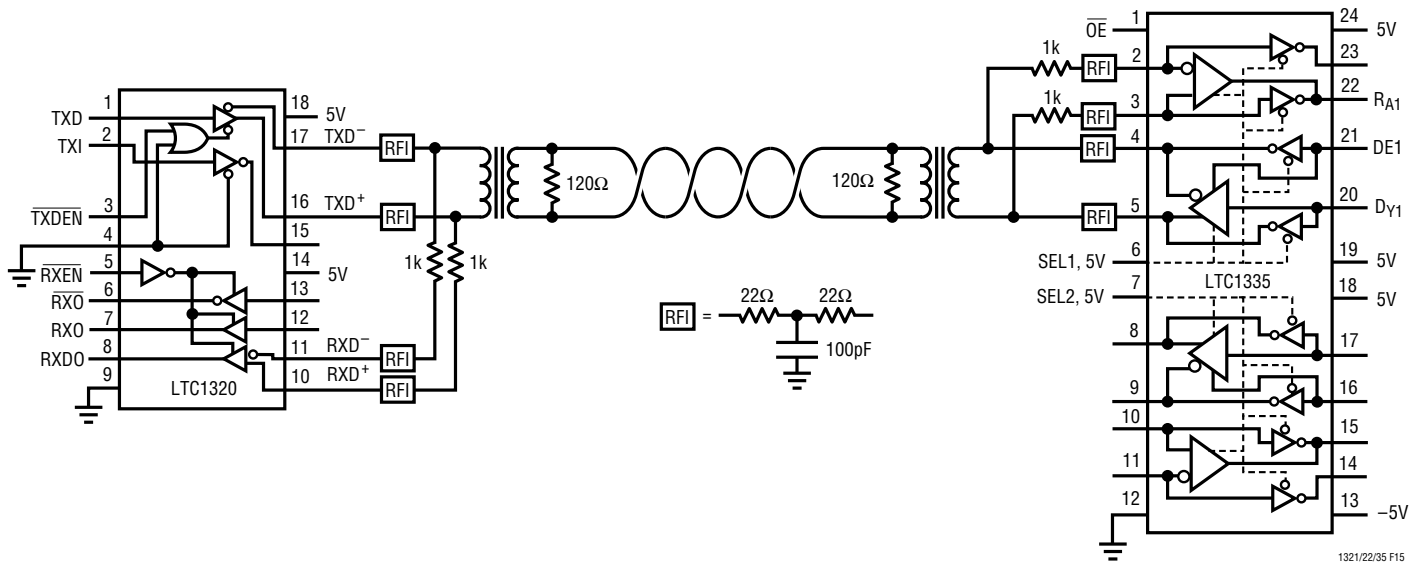


Figure 15. Apple LocalTalk Implemented Using LTC1320 and LTC1335 Transceivers

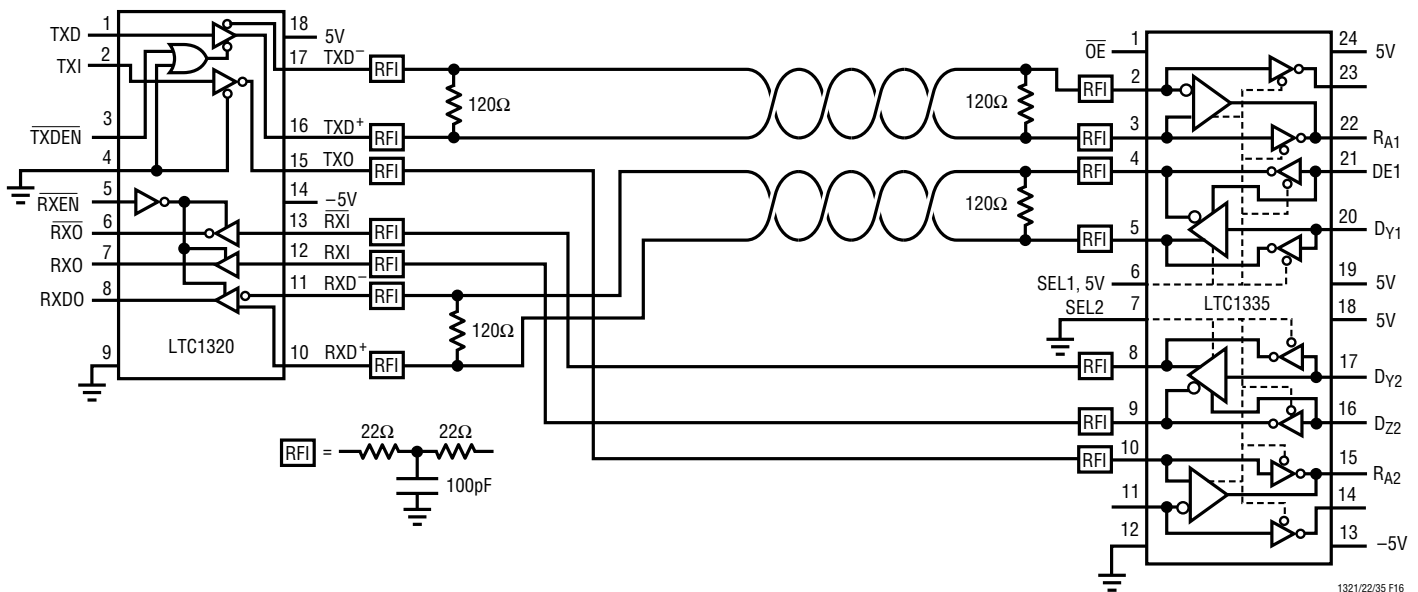


Figure 16. AppleTalk Direct Connect Using LTC1320 for DTE and LTC1335 for DCE Transceivers

## TYPICAL APPLICATIONS

A typical EIA562/RS232 interface application is shown in Figure 17 with LTC1322. A typical EIA562 interface application with LTC1335 is shown in Figure 18.

A typical connection for RS485 transceiver is shown in Figure 19. A twisted pair of wires connects up to 32 drivers

and receivers for half duplex multi-point data transmission. The wires must be terminated at both ends with resistors equal to the wire's characteristic impedance, generally  $120\Omega$ . An optional shield around the twisted pair helps to reduce unwanted noise and should be connected to ground at one end.

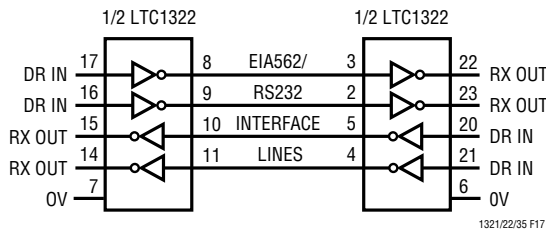


Figure 17. Typical Connection for EIA562/RS232 Interface

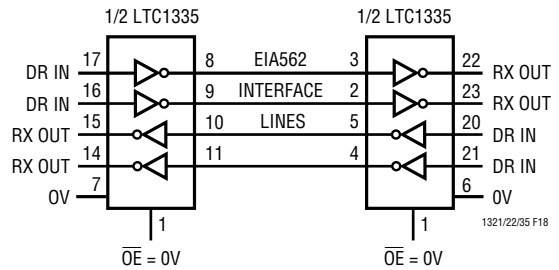


Figure 18. Typical Connection for EIA562 Interface

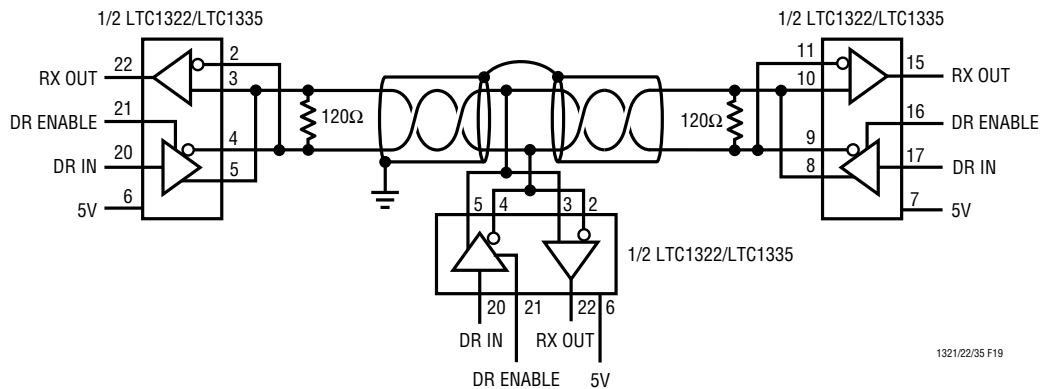


Figure 19. Typical Connection for RS485 Interface

## TYPICAL APPLICATIONS

A typical RS422 connection shown in Figure 20 allows one driver and ten receivers on a twisted pair of wires terminated with a  $100\Omega$  resistor at one end. The ground shield is optional.

A typical twisted pair line repeater is shown in Figure 21. As data transmission rate drops with increased cable length, repeater can be inserted to improve transmission rate or to transmit beyond 4000 feet limit.

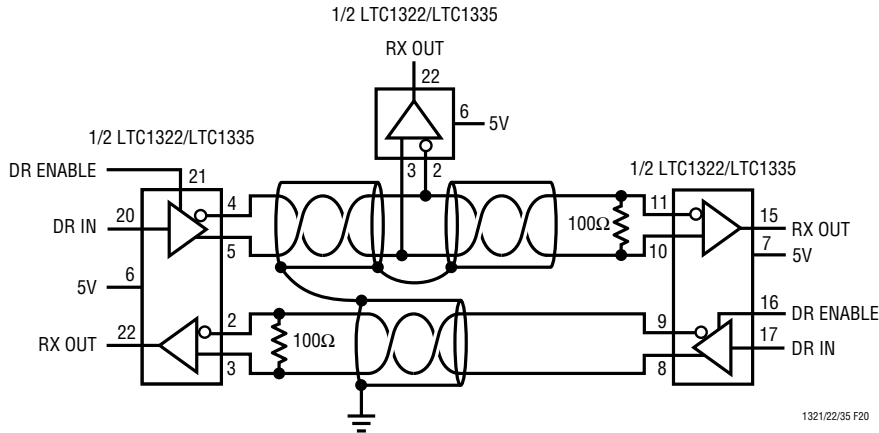


Figure 20. Typical Connection for RS422 Interface

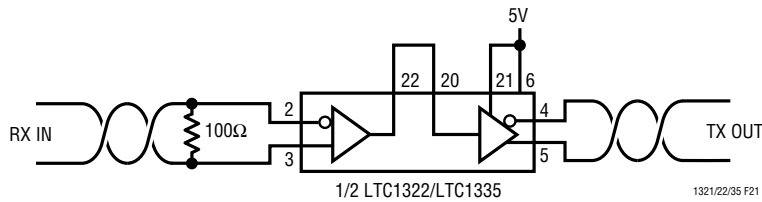


Figure 21. Typical Cable Repeater for RS422 Interface

## TYPICAL APPLICATIONS

The LTC1322/LTC1335 can be used to translate EIA562 to RS422 interface level or vice versa as shown in Figure 22. One port is configured as EIA562 transceiver and the other as RS485 transceiver. The LTC1322 can also support RS232 to RS422 level translation if  $V_{DD}$  is between 6.5V and 10V, and  $V_{EE}$  is between  $-6.5V$  and  $-10V$ .

Using two LTC1321/LTC1335 as level translators, the EIA562/RS232 interface distance can be extended to 4000 feet with twisted wires (Figure 23).

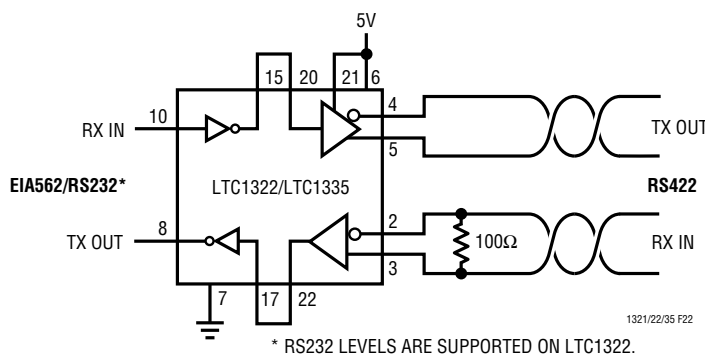


Figure 22. Typical EIA562/RS232 to RS422 Level Translator

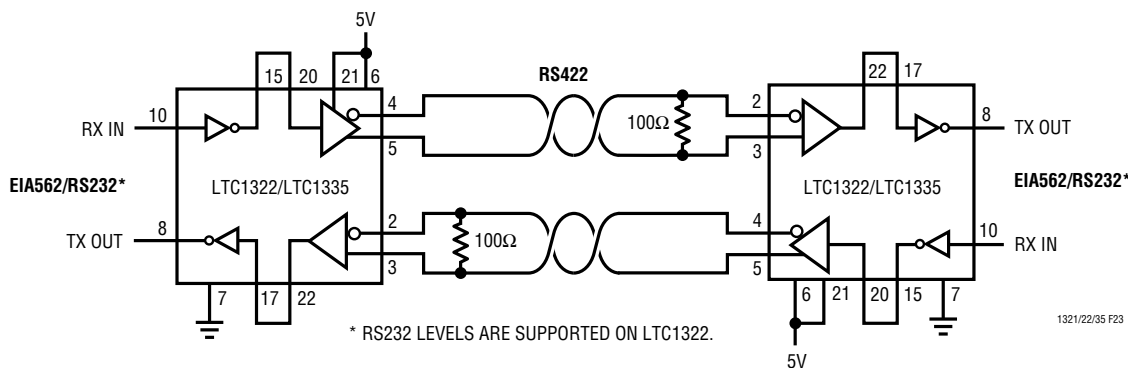


Figure 23. Typical Cable Extension for EIA562/RS232 Interface



## U.S. Area Sales Offices

### NORTHEAST REGION

**Linear Technology Corporation**  
One Oxford Valley  
2300 E. Lincoln Hwy., Suite 306  
Langhorne, PA 19047  
Phone: (215) 757-8578  
FAX: (215) 757-5631

### Linear Technology Corporation

266 Lowell St., Suite B-8  
Wilmington, MA 01887  
Phone: (508) 658-3881  
FAX: (508) 658-2701

### SOUTHEAST REGION

**Linear Technology Corporation**  
17060 Dallas Parkway  
Suite 208  
Dallas, TX 75248  
Phone: (214) 733-3071  
FAX: (214) 380-5138

### CENTRAL REGION

**Linear Technology Corporation**  
Chesapeake Square  
229 Mitchell Court, Suite A-25  
Addison, IL 60101  
Phone: (708) 620-6910  
FAX: (708) 620-6977

### SOUTHWEST REGION

**Linear Technology Corporation**  
22141 Ventura Blvd.  
Suite 206  
Woodland Hills, CA 91364  
Phone: (818) 703-0835  
FAX: (818) 703-0517

### NORTHWEST REGION

**Linear Technology Corporation**  
782 Sycamore Dr.  
Milpitas, CA 95035  
Phone: (408) 428-2050  
FAX: (408) 432-6331

## International Sales Offices

### FRANCE

**Linear Technology S.A.R.L.**  
Immeuble "Le Quartz"  
58 Chemin de la Justice  
92290 Chatenay Malabry  
France  
Phone: 33-1-41079555  
FAX: 33-1-46314613

### GERMANY

**Linear Technolgy GmbH**  
Untere Hauptstr. 9  
D-85386 Eching  
Germany  
Phone: 49-89-3197410  
FAX: 49-89-3194821

### JAPAN

**Linear Technology KK**  
5F YZ Bldg.  
4-4-12 Iidabashi, Chiyoda-Ku  
Tokyo, 102 Japan  
Phone: 81-3-3237-7891  
FAX: 81-3-3237-8010

### KOREA

**Linear Technology Korea Branch**  
Namsong Building, #505  
Itaewon-Dong 260-199  
Yongsan-Ku, Seoul  
Korea  
Phone: 82-2-792-1617  
FAX: 82-2-792-1619

### SINGAPORE

**Linear Technology Pte. Ltd.**  
101 Boon Keng Road  
#02-15 Kallang Ind. Estates  
Singapore 1233  
Phone: 65-293-5322  
FAX: 65-292-0398

### TAIWAN

**Linear Technology Corporation**  
Rm. 801, No. 46, Sec. 2  
Chung Shan N. Rd.  
Taipei, Taiwan, R.O.C.  
Phone: 886-2-521-7575  
FAX: 886-2-562-2285

### UNITED KINGDOM

**Linear Technology (UK) Ltd.**  
The Coliseum, Riverside Way  
Camberley, Surrey GU15 3YL  
United Kingdom  
Phone: 44-276-677676  
FAX: 44-276-64851

## World Headquarters

**Linear Technology Corporation**  
1630 McCarthy Blvd.  
Milpitas, CA 95035-7487  
Phone: (408) 432-1900  
FAX: (408) 434-0507

## Looking for pricing, stock, or lifecycle information?

Click below to explore more details on WIN SOURCE:

 [View LTC1322CSW#TRPBF on WIN SOURCE](#)

 [Linear Technology](#) Information

## Optimize Your Supply Chain with WIN SOURCE Solutions

-  Global Sourcing Solution
-  Obsolete Management
-  Cost Control Management
-  Shortage Management
-  Alternative Solution
-  Excess Inventory Management