



**THE DATASHEET OF  
LT6556CUF#PBF**



## FEATURES

- **750MHz –3dB Small Signal Bandwidth**
- **450MHz –3dB 2V<sub>P-P</sub> Large-Signal Bandwidth**
- **120MHz ±0.1dB Bandwidth**
- **High Slew Rate: 2100V/μs**
- **Fixed Gain of 1; No External Resistors Required**
- **72dB Channel Separation at 10MHz**
- **52dB Channel Separation at 100MHz**
- **–84dBc 2nd Harmonic Distortion at 10MHz, 2V<sub>P-P</sub>**
- **–87dBc 3rd Harmonic Distortion at 10MHz, 2V<sub>P-P</sub>**
- **Low Supply Current: 9.5mA per Amplifier**
- **6.5ns 0.1% Settling Time for 2V Step**
- **I<sub>SS</sub> ≤ 330μA per Amplifier When Disabled**
- **Differential Gain of 0.033%, Differential Phase of 0.022°**
- **Wide Supply Range: ±2.25V (4.5V) to ±6V (12V)**
- **Available in 24-Lead SSOP and 24-Lead QFN Packages**

## APPLICATIONS

- RGB Buffers
- UXGA Video Multiplexing
- LCD Projectors

## DESCRIPTION

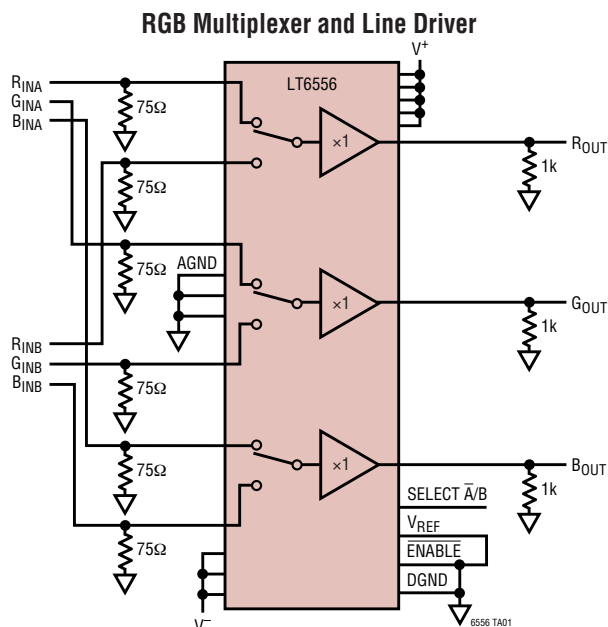
The LT<sup>®</sup>6556 is a high speed triple 2:1 video multiplexer with an internally fixed gain of 1. The individual buffers are optimized for performance with a 1k load and feature a 2V<sub>P-P</sub>–3dB bandwidth of 450MHz, making them ideal for driving very high resolution video signals. Separate power supply pins for each amplifier boost channel separation to 72dB, allowing the LT6556 to excel in many high speed applications.

While the performance of the LT6556 is optimized for dual supply operation, it can also be operated with a single supply as low as 4.5V. Using dual 5V supplies, each amplifier draws only 9.5mA. When disabled, the amplifiers draw less than 330μA and the outputs become high impedance. For applications requiring a fixed gain of 2, refer to the LT6555 datasheet.

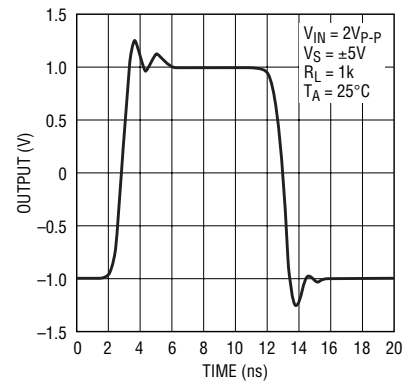
The LT6556 is available in 24-lead SSOP and ultra-compact 24-lead QFN packages.

**LT**, LTC and LT are registered trademarks of Linear Technology Corporation. All other trademarks are the property of their respective owners.

## TYPICAL APPLICATION



### Large-Signal Transient Response



## ABSOLUTE MAXIMUM RATINGS (Note 1)

Total Supply Voltage ( $V^+$ to $V^-$ ) .....	12.6V	Junction Temperature	
Input Current (Note 2) .....	$\pm 10\text{mA}$	SSOP .....	150°C
Output Current (Continuous) .....	$\pm 70\text{mA}$	QFN .....	125°C
$\overline{\text{EN}}$ to DGND Voltage (Note 2) .....	5.5V	Storage Temperature Range	
SEL to DGND Voltage (Note 2) .....	8V	SSOP .....	-65°C to 150°C
Output Short-Circuit Duration (Note 3) .....	Indefinite	QFN .....	-65°C to 125°C
Operating Temperature Range (Note 4) ...	-40°C to 85°C	Soldering Temperature (10 sec) .....	300°C
Specified Temperature Range (Note 5) ....	-40°C to 85°C		

## PACKAGE/ORDER INFORMATION

<p>GN PACKAGE 24-LEAD PLASTIC SSOP <math>T_{JMAX} = 150^\circ\text{C}</math>, <math>\theta_{JA} = 90^\circ\text{C/W}</math></p>		<p>UF PACKAGE 24-LEAD (4mm x 4mm) PLASTIC QFN <math>T_{JMAX} = 125^\circ\text{C}</math>, <math>\theta_{JA} = 37^\circ\text{C/W}</math>, <math>\theta_{JC} = 2.6^\circ\text{C/W}</math> EXPOSED PAD (PIN 25) IS <math>V^-</math> MUST BE SOLDERED TO PCB</p>	
ORDER PART NUMBER	GN PART MARKING	ORDER PART NUMBER	UF PART MARKING*
LT6556CGN LT6556IGN	LT6556CGN LT6556IGN	LT6556CUF LT6556IUF	6556
<b>Order Options</b> Tape and Reel: Add #TR Lead Free: Add #PBF Lead Free Tape and Reel: Add #TRPBF Lead Free Part Marking: <a href="http://www.linear.com/leadfree/">http://www.linear.com/leadfree/</a>			

Consult LTC Marketing for parts specified with wider operating temperature ranges. \*The temperature grade is identified by a label on the shipping container.

## ELECTRICAL CHARACTERISTICS

The  $\bullet$  denotes the specifications which apply over the full operating temperature range, otherwise specifications are at  $T_A = 25^\circ\text{C}$ .  $V_S = \pm 5\text{V}$ ,  $R_L = 1\text{k}$ ,  $C_L = 1.5\text{pF}$ ,  $V_{\overline{\text{EN}}} = 0.4\text{V}$ ,  $V_{\text{AGND}}$ ,  $V_{\text{DGND}}$ ,  $V_{\text{VREF}} = 0\text{V}$ .

SYMBOL	PARAMETER	CONDITIONS	MIN	TYP	MAX	UNITS
$V_{OS}$	Offset Voltage	$V_{IN} = 0\text{V}$ , $V_{OS} = V_{OUT}$		18	$\pm 67$ $\pm 75$	mV mV
$I_{IN}$	Input Current			-12	$\pm 45$	$\mu\text{A}$
$R_{IN}$	Input Resistance	$V_{IN} = \pm 1\text{V}$	100	500		$\text{k}\Omega$
$C_{IN}$	Input Capacitance	$f = 100\text{kHz}$		1		pF
PSRR	Power Supply Rejection Ratio	$V_S = \pm 2.25\text{V}$ to $\pm 6\text{V}$ (Note 6)	51	62		dB

6556f

**ELECTRICAL CHARACTERISTICS** The denotes the specifications which apply over the full operating temperature range, otherwise specifications are at  $T_A = 25^\circ\text{C}$ .  $V_S = \pm 5\text{V}$ ,  $R_L = 1\text{k}$ ,  $C_L = 1.5\text{pF}$ ,  $V_{EN} = 0.4\text{V}$ ,  $V_{AGND}$ ,  $V_{DGND}$ ,  $V_{VREF} = 0\text{V}$ .

SYMBOL	PARAMETER	CONDITIONS	MIN	TYP	MAX	UNITS	
$I_{PSRR}$	Input Current Power Supply Rejection	$V_S = \pm 2.25\text{V}$ to $\pm 6\text{V}$ (Note 6)	●	1	$\pm 3$	$\mu\text{A/V}$	
$A_V$ ERR	Gain Error	$V_{OUT} = V_{REF} = \pm 2\text{V}$ , Nominal Gain 1V/V	●	-2.8	-1.15	0	%
$A_V$ MATCH	Gain Matching	Any One Channel to Another		$\pm 0.05$		%	
$V_{OUT}$	Output Voltage Swing	(Note 7)	●	$\pm 3.65$	$\pm 3.85$	V	
$I_S$	Supply Current, Per Amplifier	$R_L = \infty$	●	9.5	13	$\text{mA}$	
	Supply Current, Disabled, Per Amplifier	$V_{EN} = 4\text{V}$ , $R_L = \infty$ $V_{EN} = \text{Open}$ , $R_L = \infty$	● ●	47 42	330 330	$\mu\text{A}$ $\mu\text{A}$	
$I_{EN}$	Enable Pin Current	$V_{EN} = 0.4\text{V}$	●	-200	-95	$\mu\text{A}$	
		$V_{EN} = 4\text{V}$	●	-75	-21	$\mu\text{A}$	
$I_{SEL}$	Select Pin Current	$V_{SEL} = 0.4\text{V}$	●	-50	-5	$\mu\text{A}$	
		$V_{SEL} = 4\text{V}$	●	-50	-1	$\mu\text{A}$	
$I_{SC}$	Output Short-Circuit Current	$R_L = 0\Omega$ , $V_{IN} = \pm 2\text{V}$ , $V_{REF} = \pm 1\text{V}$	●	$\pm 50$	$\pm 105$	$\text{mA}$	
SR	Slew Rate	$\pm 1\text{V}$ on $\pm 2.2\text{V}$ Output Step (Note 8)		1200	2100	$\text{V}/\mu\text{s}$	
-3dB BW	Small-Signal -3dB Bandwidth	$V_{OUT} = 200\text{mV}_{P-P}$		750		MHz	
0.1dB BW	Gain Flatness $\pm 0.1\text{dB}$ Bandwidth	$V_{OUT} = 200\text{mV}_{P-P}$		120		MHz	
FPBW	Full Power Bandwidth 2V	$V_{OUT} = 2V_{P-P}$ (Note 9)		190	335	MHz	
	Full Power Bandwidth 4V	$V_{OUT} = 4V_{P-P}$ (Note 9)			175	MHz	
	All-Hostile Crosstalk	$f = 10\text{MHz}$ , $V_{IN} = 2V_{P-P}$ $f = 100\text{MHz}$ , $V_{IN} = 2V_{P-P}$		-72 -52		$\text{dB}$ $\text{dB}$	
	Selected Channel to Unselected Channel Crosstalk	$f = 10\text{MHz}$ , $V_{IN} = 2V_{P-P}$ $f = 100\text{MHz}$ , $V_{IN} = 2V_{P-P}$		-85 -64		$\text{dB}$ $\text{dB}$	
	Channel Select Output Transient	$I_{NA} = I_{NB} = 0\text{V}$		200		$\text{mV}_{P-P}$	
	Channel-to-Channel Select Time	$I_{NA} = -1\text{V}$ , $I_{NB} = 1\text{V}$ from 50% SEL to $V_{OUT} = 0\text{V}$		8		ns	
$t_S$	Settling Time	0.1% of $V_{FINAL}$ , $V_{STEP} = 2\text{V}$		6.5		ns	
$t_R$ , $t_F$	Small-Signal Rise and Fall Time	10% to 90%, $V_{OUT} = 200\text{mV}_{P-P}$		500		ps	
dG	Differential Gain	(Note 10)		0.056		%	
dP	Differential Phase	(Note 10)		0.028		Deg	
HD2	2nd Harmonic Distortion	$f = 10\text{MHz}$ , $V_{OUT} = 2V_{P-P}$		-84		$\text{dBc}$	
HD3	3rd Harmonic Distortion	$f = 10\text{MHz}$ , $V_{OUT} = 2V_{P-P}$		-87		$\text{dBc}$	

**Note 1:** Absolute Maximum Ratings are those values beyond which the life of a device may be impaired.

**Note 2:** This parameter is guaranteed to meet specified performance through design and characterization. It is not production tested.

**Note 3:** As long as output current and junction temperature are kept below the Absolute Maximum Ratings, no damage to the part will occur. Depending on the supply voltage, a heat sink may be required.

**Note 4:** The LT6556C is guaranteed functional over the operating temperature range of  $-40^\circ\text{C}$  to  $85^\circ\text{C}$ .

**Note 5:** The LT6556C is guaranteed to meet specified performance from  $0^\circ\text{C}$  to  $70^\circ\text{C}$ . The LT6556C is designed, characterized and expected to meet specified performance from  $-40^\circ\text{C}$  and  $85^\circ\text{C}$  but is not tested or QA sampled at these temperatures. The LT6556I is guaranteed to meet specified performance from  $-40^\circ\text{C}$  to  $85^\circ\text{C}$ .

**Note 6:** In order to follow the constraints for 4.5V operation for PSRR and  $I_{PSRR}$  testing at  $\pm 2.25\text{V}$ , the DGND pin is set to  $V^-$ , the EN pin is set

to  $V^- + 0.4\text{V}$ , and the SEL pin is set to either  $V^- + 0.4\text{V}$  or  $V^- + 4\text{V}$ . At  $\pm 6\text{V}$  and all other cases, DGND is set to ground and the EN and SEL pins are referenced from it.

**Note 7:** The  $V_{REF}$  pin is set to 3V when testing positive swing and  $-3\text{V}$  when testing negative swing to ensure that the internal input clamps do not limit the output swing.

**Note 8:** Slew rate is 100% production tested using both inputs of channel 2. Slew rates of channels 1 and 3 are guaranteed through design and characterization.

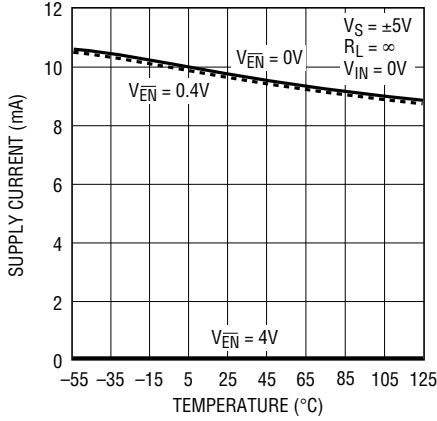
**Note 9:** Full power bandwidth is calculated from the slew rate:

$$FPBW = SR / (\pi \cdot V_{P-P})$$

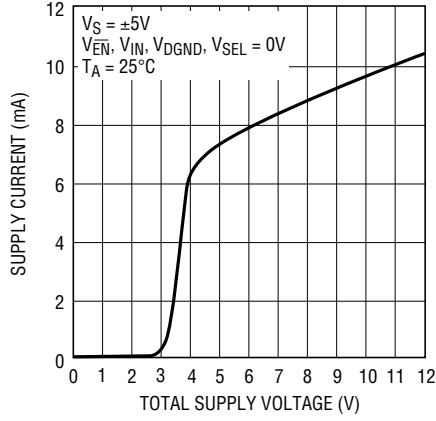
**Note 10:** Differential gain and phase are measured using a Tektronix TSG120YC/NTSC signal generator and a Tektronix 1780R video measurement set. The resolution of this equipment is better than 0.05% and 0.05°. Nine identical amplifier stages were cascaded giving an effective resolution of better than 0.0056% and 0.0056°.

TYPICAL PERFORMANCE CHARACTERISTICS

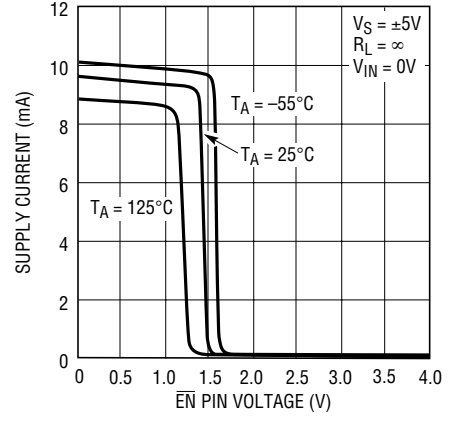
Supply Current per Amplifier vs Temperature



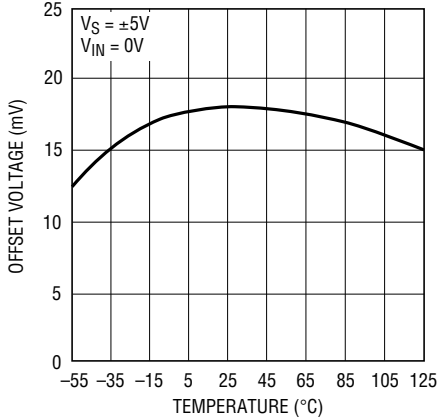
Supply Current per Amplifier vs Supply Voltage



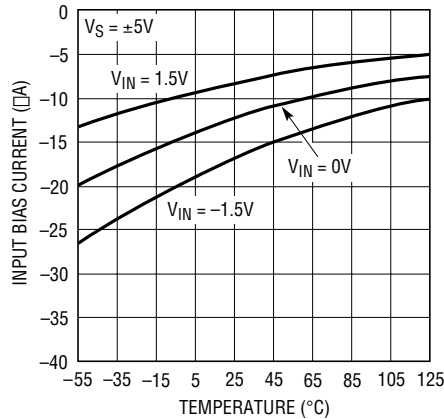
Supply Current per Amplifier vs EN Pin Voltage



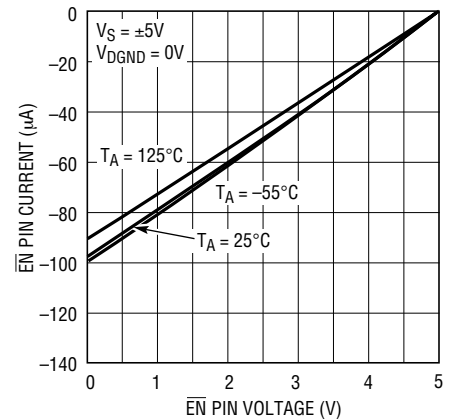
Offset Voltage vs Temperature



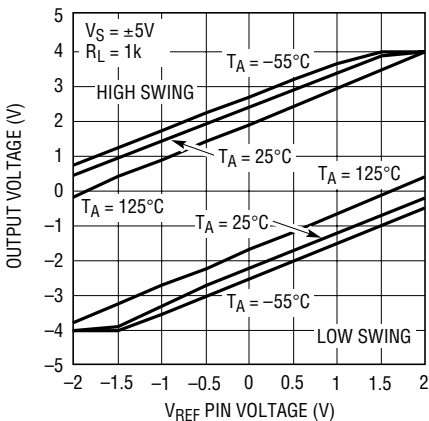
Input Bias Current vs Temperature



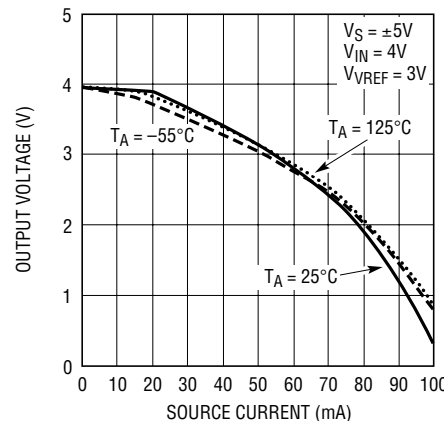
EN Pin Current vs EN Pin Voltage



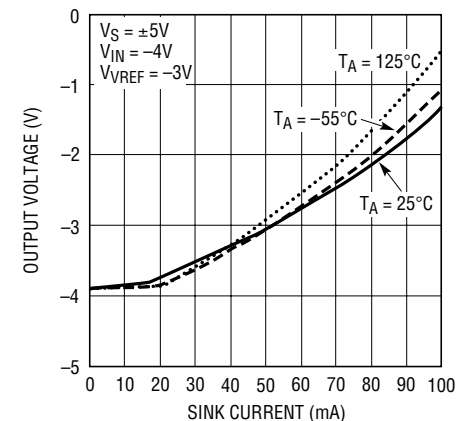
Maximum Output Voltage Swing vs V\_REF Pin Voltage



Output Voltage Swing vs I\_LOAD (Output High)

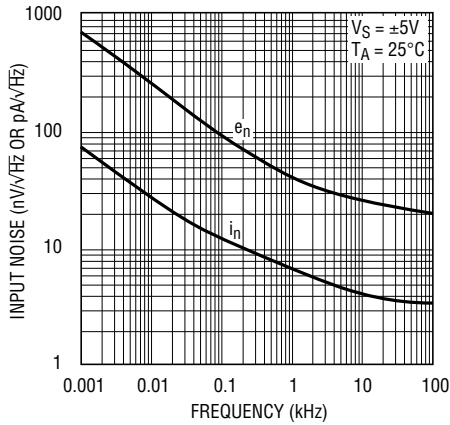


Output Voltage Swing vs I\_LOAD (Output Low)



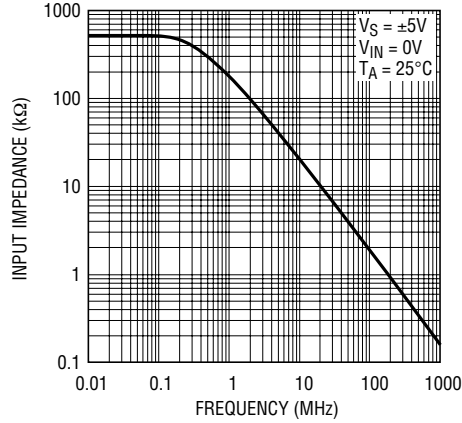
# TYPICAL PERFORMANCE CHARACTERISTICS

**Input Noise Spectral Density**



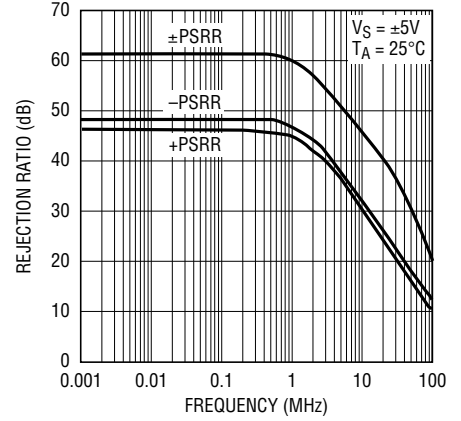
6556 G10

**Input Impedance vs Frequency**



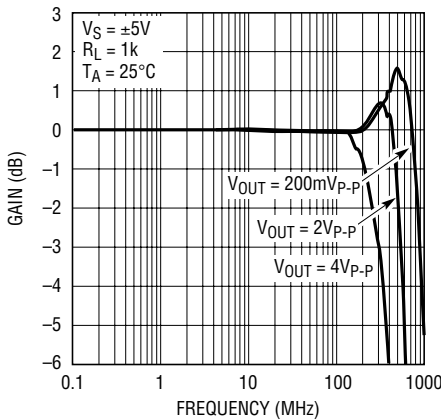
6556 G11

**PSRR vs Frequency**



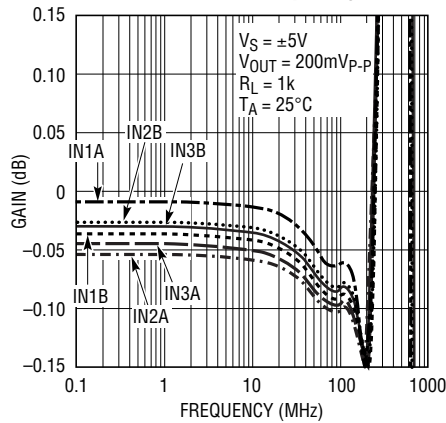
6556 G12

**Frequency Response vs Output Amplitude**



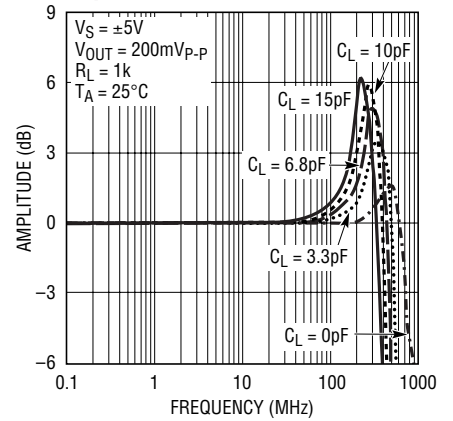
6556 G13

**Gain Flatness vs Frequency**



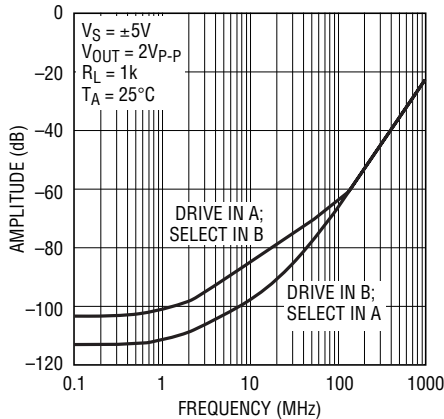
6556 G14

**Frequency Response with Capacitive Loads**



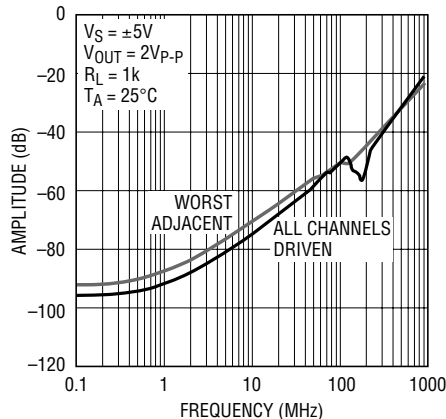
6556 G15

**Crosstalk vs Frequency**



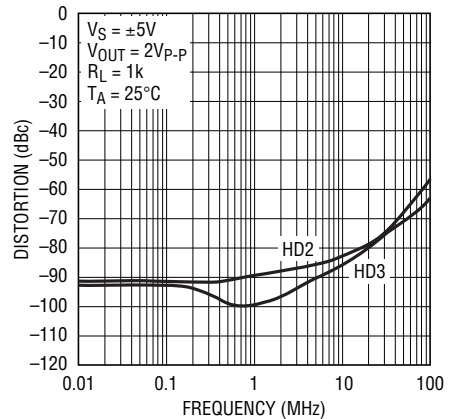
6556 G16

**Crosstalk vs Frequency**



6556 G17

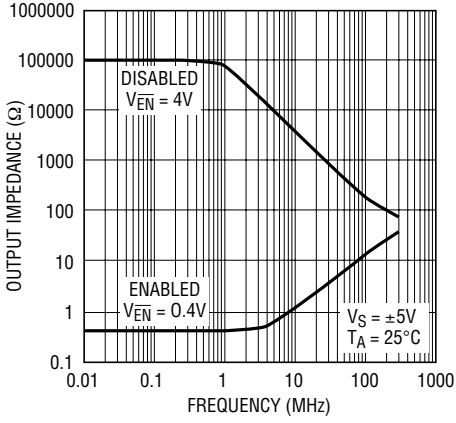
**Harmonic Distortion vs Frequency**



6556 G18

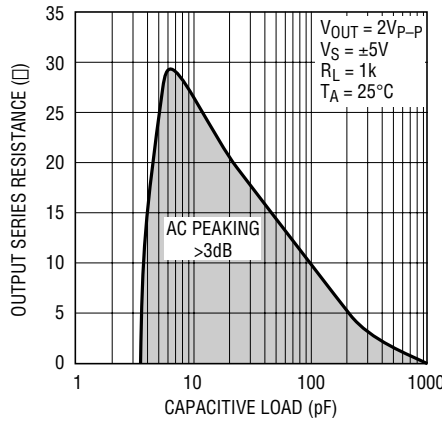
TYPICAL PERFORMANCE CHARACTERISTICS

Output Impedance vs Frequency



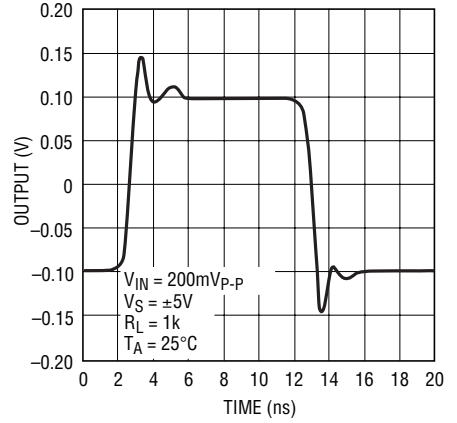
6556 G19

Maximum Capacitive Load vs Output Series Resistor



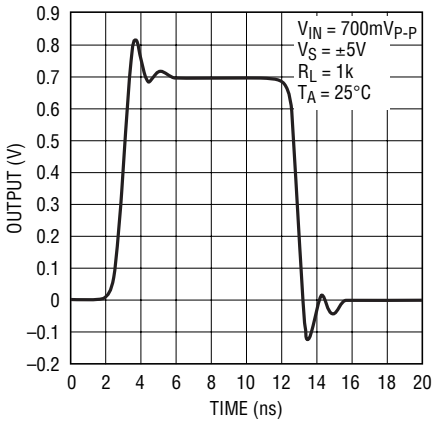
6556 G20

Small-Signal Transient Response



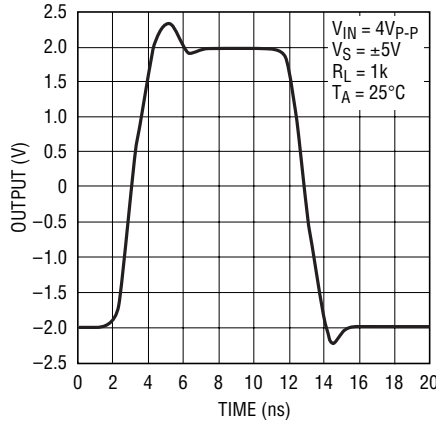
6556 G21

Video Amplitude Transient Response



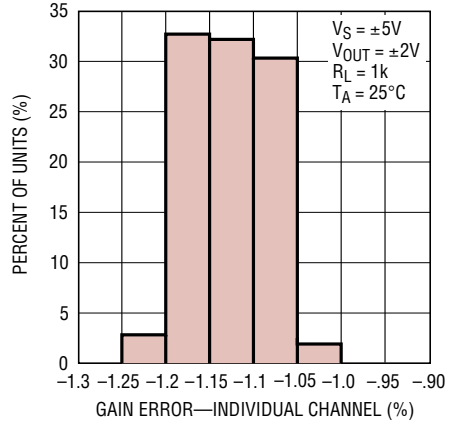
6556 G22

Large-Signal Transient Response



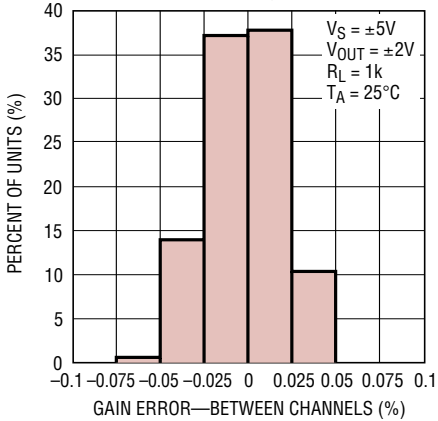
6556 G23

Gain Error Distribution



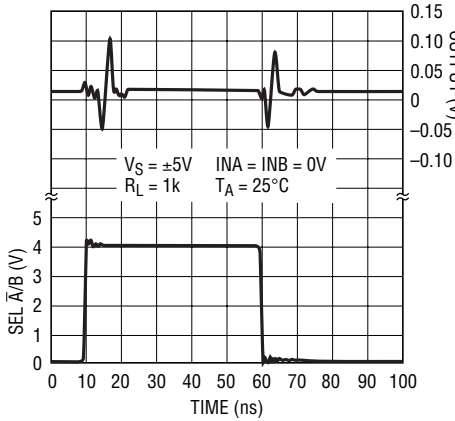
6556 G24

Gain Error Matching Distribution



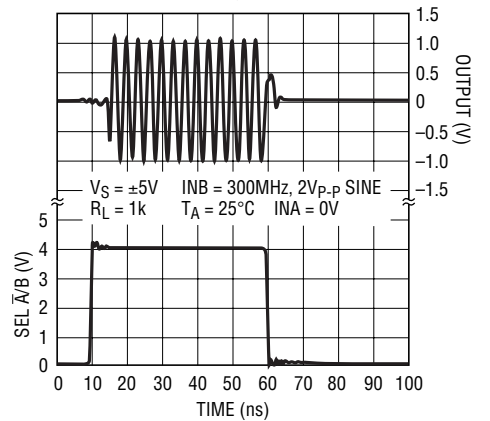
6556 G25

Channel Switching Transient



6556 G26

Channel Switching Transient



6556 G27

## PIN FUNCTIONS (GN24 Package)

**IN1A (Pin 1):** Channel 1 Input A. This pin has a nominal impedance of 500k $\Omega$  and does not have any internal termination resistor.

**DGND (Pin 2):** Digital Ground Reference for Enable Pin. This pin is normally connected to ground.

**IN2A (Pin 3):** Channel 2 Input A. This pin has a nominal impedance of 500k $\Omega$  and does not have any internal termination resistor.

**VREF (Pin 4):** Voltage Reference for Input Clamping. This is the tap to an internal voltage divider that defines mid-supply. It is normally connected to ground in dual supply, DC coupled applications.

**IN3A (Pin 5):** Channel 3 Input A. This pin has a nominal impedance of 500k $\Omega$  and does not have any internal termination resistor.

**AGND (Pin 6):** Analog Ground for Isolation between IN3A and IN1B. AGND pins have ESD protection and should not be connected to potentials outside the power supply range.

**IN1B (Pin 7):** Channel 1 Input B. This pin has a nominal impedance of 500k $\Omega$  and does not have any internal termination resistor.

**AGND (Pin 8):** Analog Ground for Isolation between IN1B and IN2B. AGND pins have ESD protection and should not be connected to potentials outside the power supply range.

**IN2B (Pin 9):** Channel 2 Input B. This pin has a nominal impedance of 500k $\Omega$  and does not have any internal termination resistor.

**AGND (Pin 10):** Analog Ground for Isolation between IN2B and IN3B. AGND pins have ESD protection and should not be connected to potentials outside the power supply range.

**IN3B (Pin 11):** Channel 3 Input B. This pin has a nominal impedance of 500k $\Omega$  and does not have any internal termination resistor.

**V<sup>-</sup> (Pin 12):** Negative Supply Voltage. V<sup>-</sup> pins are not internally connected to each other and must all be connected externally. Proper supply bypassing is necessary for best performance. See the Applications Information section.

**V<sup>+</sup> (Pins 13, 14, 24):** Positive Supply Voltage. V<sup>+</sup> pins are not internally connected to each other and must all

be connected externally. Proper supply bypassing is necessary for best performance. See the Applications Information section.

**V<sup>-</sup> (Pin 15):** Negative Supply Voltage for Channel 3 Output Stage. V<sup>-</sup> pins are not internally connected to each other and must all be connected externally. Proper supply bypassing is necessary for best performance. See the Applications Information section.

**OUT3 (Pin 16):** Channel 3 Output. It is the buffered output of the selected Channel 3 input.

**V<sup>+</sup> (Pin 17):** Positive Supply Voltage for Channels 2 and 3 Output Stages. V<sup>+</sup> pins are not internally connected to each other and must all be connected externally. Proper supply bypassing is necessary for best performance. See the Applications Information section.

**OUT2 (Pin 18):** Channel 2 Output. It is the buffered output of the selected Channel 2 input.

**V<sup>-</sup> (Pin 19):** Negative Supply Voltage for Channels 1 and 2 Output Stages. V<sup>-</sup> pins are not internally connected to each other and must all be connected externally. Proper supply bypassing is necessary for best performance. See the Applications Information section.

**OUT1 (Pin 20):** Channel 1 Output. It is the buffered output of the selected Channel 1 input.

**V<sup>+</sup> (Pin 21):** Positive Supply Voltage for Channel 1 Output Stage. V<sup>+</sup> pins are not internally connected to each other and must all be connected externally. Proper supply bypassing is necessary for best performance. See the Applications Information section.

**SEL  $\bar{A}/B$  (Pin 22):** Select Pin. This high impedance pin selects which set of inputs are sent to the output pins. When the pin is pulled low, the A inputs are selected. When the pin is pulled high, the B inputs are selected.

**$\bar{EN}$  (Pin 23):** Enable Control Pin. An internal pull-up resistor of 46k defines the pin's impedance and will turn the part off if the pin is unconnected. When the pin is pulled low, the amplifiers are enabled.

**Exposed Pad (Pin 25, QFN Only):** The Exposed Pad is V<sup>-</sup> and must be soldered to the PCB. It is internally connected to the QFN Pin 4, V<sup>-</sup>.

## APPLICATIONS INFORMATION

### Power Supplies

The LT6556 is optimized for  $\pm 5V$  supplies but can be operated on as little as  $\pm 2.25V$  or a single 4.5V supply and as much as  $\pm 6V$  or a single 12V supply. Internally, each supply is independent to improve channel isolation. **Do not leave any supply pins disconnected or the part may not function correctly!**

### Enable/Shutdown

The LT6556 has a shutdown mode controlled by the  $\overline{EN}$  pin and referenced to the DGND pin. If the amplifier will be enabled at all times, the  $\overline{EN}$  pin can be connected directly to DGND. If the enable function is desired, either driving the pin above 2V or allowing the internal 46k pull-up resistor to pull the  $\overline{EN}$  pin to the top rail will disable the amplifier. When disabled, the output will become very high impedance. Supply current into the amplifier in the disabled state will be:

$$I_S = \frac{V^+ - V_{\overline{EN}}}{46k} + \frac{V^+ - V^-}{80k}$$

It is important that the following constraints on the DGND,  $\overline{EN}$  and SEL pins are always followed:

$$\begin{aligned} V^+ - V_{DGND} &\geq 4.5V \\ -0.5V &\leq V_{\overline{EN}} - V_{DGND} \leq 5.5V \\ V_{SEL} - V_{DGND} &\leq 8V \end{aligned}$$

In dual supply cases where  $V^+$  is less than 4.5V, DGND should be connected to a potential below ground, such as  $V^-$ . Since the  $\overline{EN}$  and SEL pins are referenced to DGND, they may need to be pulled below ground in those cases. However, in order to protect the internal enable circuitry, the  $\overline{EN}$  pin should not be forced more than 0.5V below DGND.

In single supply applications above 5.5V, an additional resistor may be needed from the  $\overline{EN}$  pin to DGND if the pin is ever allowed to float. For example, on a 12V single supply, a 33k resistor would protect the pin from floating too high while still allowing the internal pull-up resistor to disable the part.

On dual  $\pm 2.25V$  supplies, connecting the DGND pin to  $V^-$  is the only way of ensuring that  $V^+ - V_{DGND} \geq 4.5V$ .

The enable/disable times of the LT6556 are fast when driven with a logic input. Turn on (from 50%  $\overline{EN}$  input to 50% output) typically occurs in less than 50ns. Turn off is slower, but is typically below 500ns.

### Channel Select

The SEL pin uses the same internal threshold as the  $\overline{EN}$  pin and is also referenced to DGND. When the pin is logic low, the channel A inputs are passed to the output. When the pin is logic high, the channel B inputs are passed to the output. The pin should not be floated but can be tied to DGND to force the outputs to always be channel A or to  $V^+$  (when less than 8V) to force the outputs to always be channel B.

### Truth Table

SEL $\overline{A/B}$	$\overline{EN}$	OUT
0	0	IN A
1	0	IN B
X	1	OFF

### Input Considerations

The LT6556 uses input clamps referenced to the  $V_{REF}$  pin to prevent damage to the input stage on the unselected channel. Three transistors in series limit the input voltage to within three diode drops ( $\pm$ ) from  $V_{REF}$ .  $V_{REF}$  is nominally set to half of the sum of the supplies by the 40k resistors. A simplified schematic is shown in Figure 1.

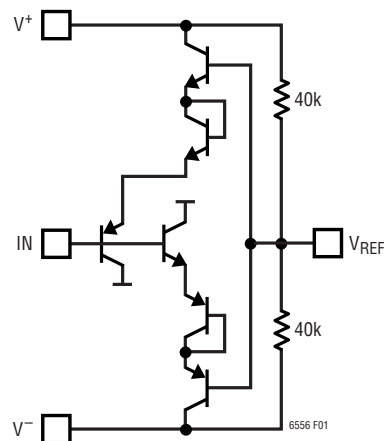
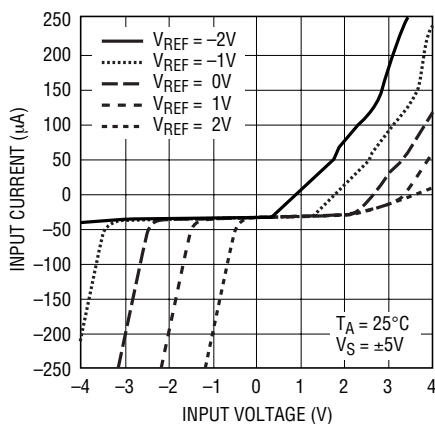


Figure 1. Simplified Schematic of  $V_{REF}$  Pin and Input Clamping

## APPLICATIONS INFORMATION

To improve clamping, the pin's DC impedance should be minimized by connecting the  $V_{REF}$  pin directly to ground in the symmetric dual supply case with a common mode voltage of 0V. If the common mode voltage is not centered at ground or the input voltage exceeds plus or minus three diodes from ground, an external resistor to either supply can be added to shift the  $V_{REF}$  voltage to the desired level. The only way to cover the full input voltage range of  $V^- + 1V$  to  $V^+ - 1V$  is to shift  $V_{REF}$  up or down.

The  $V_{REF}$  pin can also be directly driven with a DC source. Figure 2 shows the effect of the clamp on input current when sweeping input voltage with various  $V_{REF}$  pin voltages. Bypassing the  $V_{REF}$  pin is not necessary.



6556 F02

**Figure 2. Input Current vs Input Voltage at Different  $V_{REF}$  Voltages**

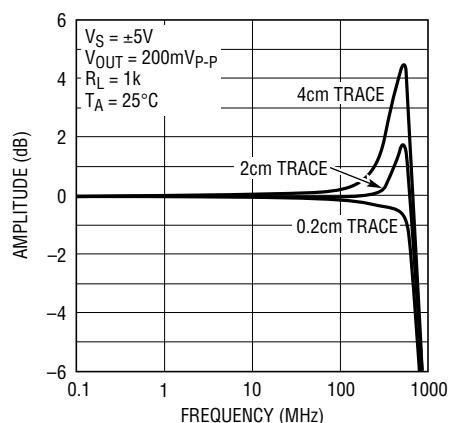
The inputs can be driven beyond the point at which the output clips so long as input currents are limited to less than  $\pm 10mA$ . Continuing to drive the input beyond the output limit can result in increased current drive and slightly increased swing, but will also increase supply current and may result in delays in transient response at larger levels of overdrive.

### Layout and Grounding

It is imperative that care is taken in PCB layout in order to benefit from the very high speed and very low crosstalk of the LT6556. Separate power and ground planes are highly recommended and trace lengths should be kept as short as possible. If input traces must be run over a distance of several centimeters, they should use a controlled impedance with either series or shunt terminations (nominally  $50\Omega$  or  $75\Omega$ ) to maintain signal fidelity.

Care should be taken to minimize capacitance on the LT6556's output traces by increasing spacing between traces and adjacent metal and by eliminating metal planes in underlying layers. To drive cable or traces longer than several centimeters, using the LT6556 with its fixed gain of +2 in conjunction with series and load termination resistors may provide better results.

A plot of AC performance driving a 1k load with various trace lengths is shown in Figure 3. All data is from a 4-layer board with 2oz copper, 18mil of board layer thickness to the ground plane, a trace width of 12mils and spacing to adjacent metal of 18mils. The 0.2cm output trace places the 1k resistor as close to the part as possible, while the other curves show the load resistor consecutively further away. The worst case, 4cm, trace has almost 10pF of parasitic capacitance.



6556 F03

**Figure 3. Response vs Output Trace Length**

## APPLICATIONS INFORMATION

In order to counteract any peaking in the frequency response from driving a capacitive load, a series resistance can be inserted in the line at the output of the part to flatten the response. Figure 4 shows the frequency response with the same 4cm trace from Figure 3, now with a 10Ω series resistor inserted near the output pin of the amplifier. Note that using a 10Ω series resistor with a 1k load only decreases the output amplitude by 0.1dB or 1% and has a minimal effect on the bandwidth of the system. See the graph labeled “Maximum Capacitive Load vs Output Series Resistor” in the Typical Performance Characteristics section for more information.

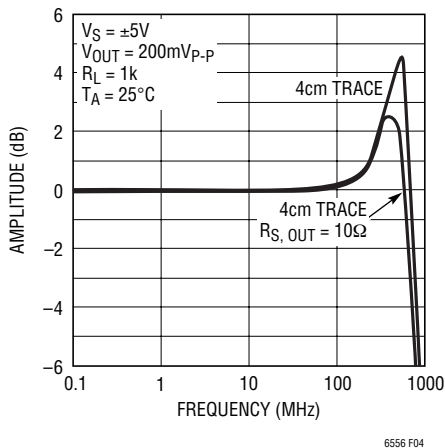


Figure 4. Response vs Series Output Resistance

While the AGND pins on the LT6556 are not connected to the amplifier circuitry, tying them to ground or another “quiet” node significantly increases channel isolation and is always recommended. The AGND pins do have ESD protection and therefore should not be connected to potentials outside the power supply range.

Low ESL/ESR bypass capacitors should be placed as close to the positive and negative supply pins as possible. One 4700pF ceramic capacitor is recommended for both V<sup>+</sup> and V<sup>-</sup> supply busses. Additional 470pF ceramic capacitors with minimal trace length on each supply pin will further improve AC and transient response as well as channel isolation. For high current drive and large-signal transient applications, additional 1μF to 10μF tantalums should be added on each supply. The smallest value capacitors should be placed closest to the package.

To maintain the LT6556’s channel isolation, it is beneficial to shield parallel input and parallel output traces using a ground plane or power supply traces. Vias between top-side and backside metal may be required to maintain a low inductance ground near the part where numerous traces converge. See Figures 7 and 8 for photos of an optimized layout.

### Single Supply Operation

Figure 5 illustrates how to use the LT6556 with a single supply ranging from 4.5V to 12V. Since the output range is comparable to the input range, the DC bias point at the input can be set anywhere between the supplies that will prevent the AC-coupled signal from running into the output range limits. As shown, the DC input level is mid-supply.

The only additional power dissipation in the single supply configuration is through the resistor bias string at the input and through any load resistance at the output. In many cases, the output can be used to directly drive other single supply devices without additional coupling and without any resistive load.

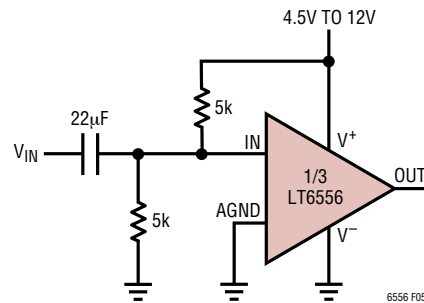


Figure 5. Single Supply Configuration, One Channel Shown

### Input Expansion

In applications with more than two inputs per channel, multiple LT6556s can be connected directly together at the outputs. Logic circuitry can be used to drive the  $\overline{EN}$  pins of each LT6556 to ensure that only one set of channels is buffered at a time. See Figure 9 for a schematic.

Since the output impedance of a disabled LT6556 is high, adding additional channels will not resistively load an

## APPLICATIONS INFORMATION

enabled output. However, since the disabled LT6556 and its traces have around 6pF of capacitance, it may be desirable to resistively isolate the outputs of each channel to maintain flat frequency response as shown in the graph labeled “Maximum Capacitive Load vs Output Series Resistor” in the Typical Performance Characteristics section.

### ESD Protection

The LT6556 has reverse-biased ESD protection diodes on all pins. If any pins are forced a diode drop above the positive supply or a diode drop below the negative supply, large currents may flow through these diodes. If the current is kept below 10mA, no damage to the devices will occur.

## TYPICAL APPLICATION

### RGB Multiplexer Demo Board

The DC892A Demo Board illustrates optimal routing, bypassing and termination using the LT6556 as an RGB video multiplexer. The schematic is shown in Figure 6. All inputs and outputs are routed to have a characteristic impedance of 75Ω and 75Ω input shunt and output series terminations are connected as close to the part as possible. The board is fabricated with four layers with internal ground and power planes.

While the 75Ω back termination resistors at the outputs of the LT6556 minimize signal reflections in the output

traces and isolate the part from any capacitive loading in those traces, they also contribute to gain error if the output is not terminated with high impedance. For example, if the output is terminated with a 1k load, the 75Ω back termination will cause a 7% gain error. Decreasing the value of the back termination resistors will decrease the signal attenuation but may compromise the AC response. However, connecting the LT6556 output pins to the output traces on the DC892A board without some series resistance is not recommended; 10Ω to 20Ω is generally sufficient. Figures 7 and 8 show the top and bottom side board layout and placement.

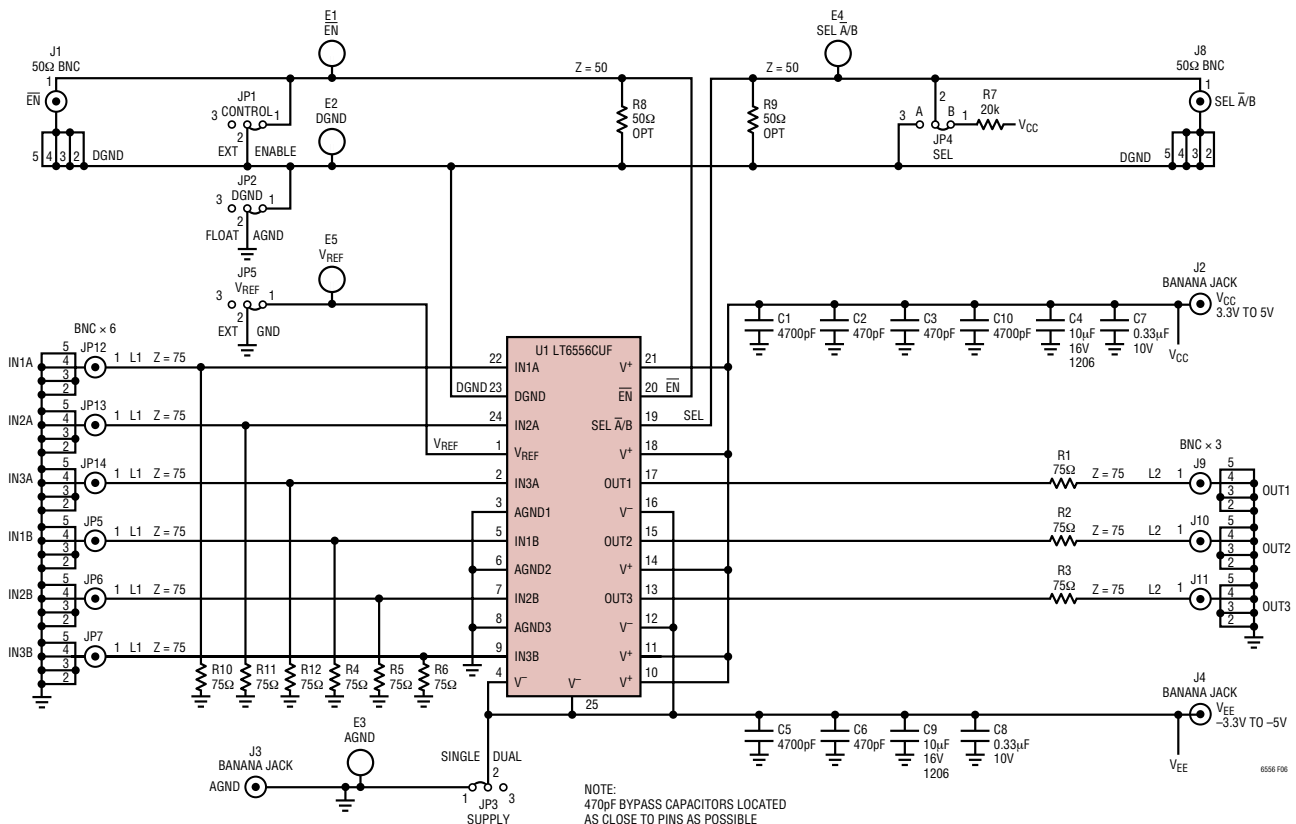
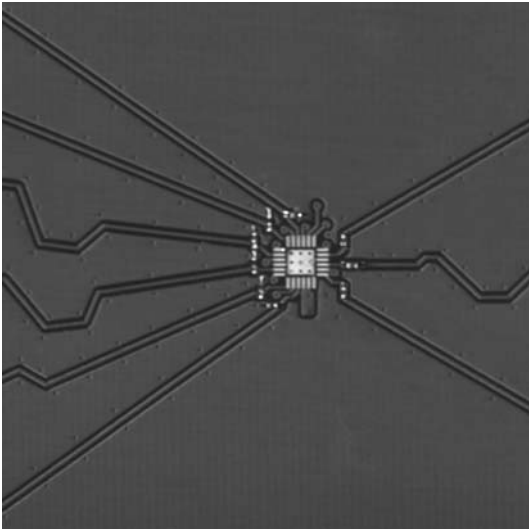
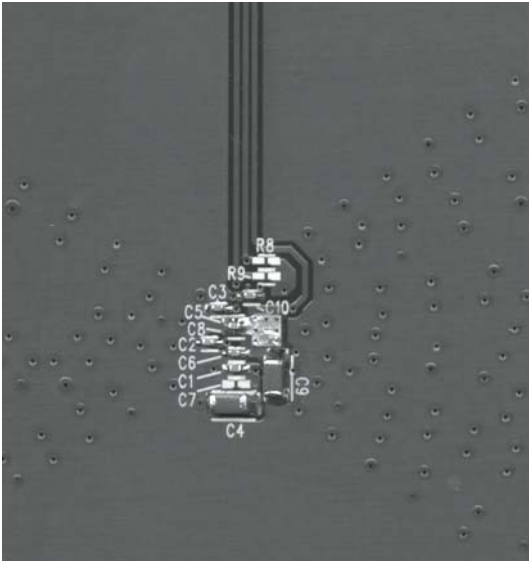


Figure 6. Demo Board Schematic

**TYPICAL APPLICATION**

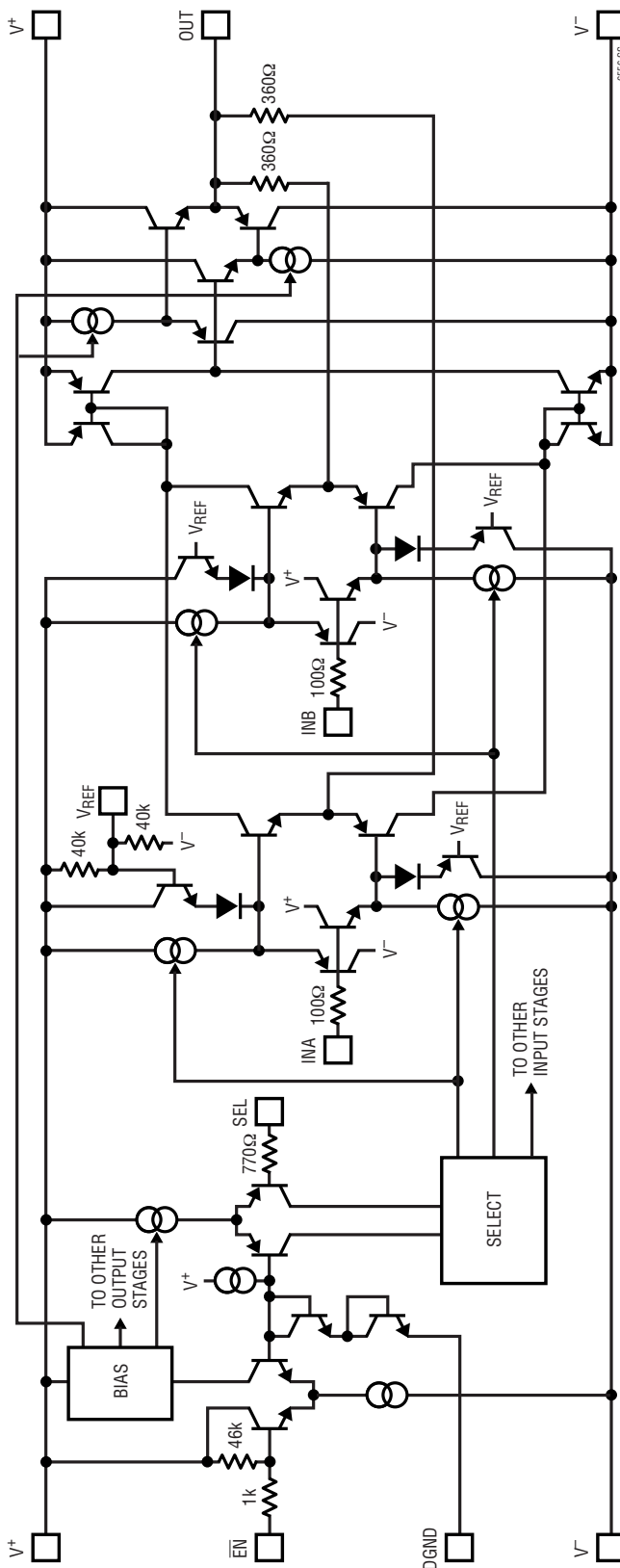


**Figure 7. Demo Board Topside  
(IC Removed for Clarity)**



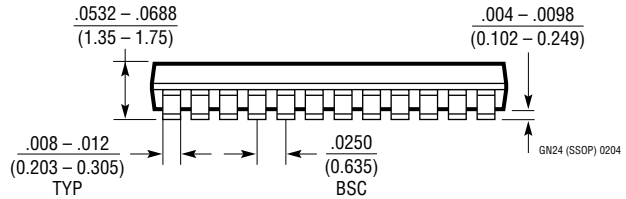
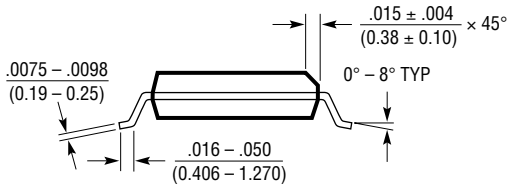
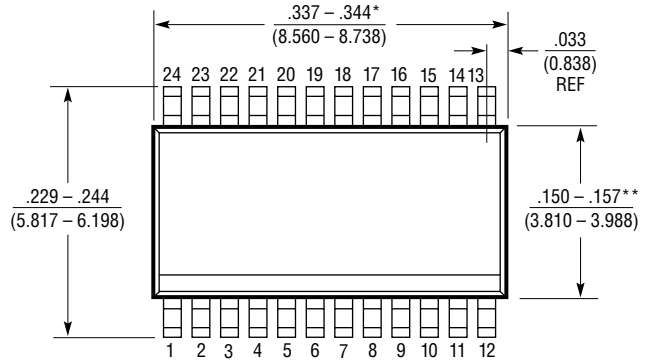
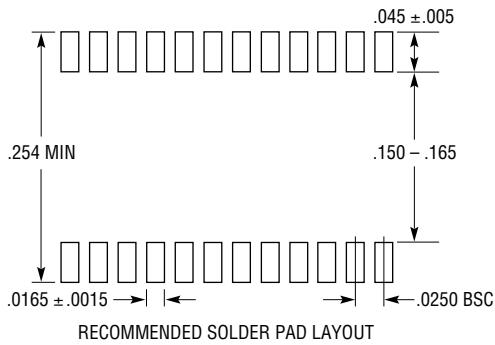
**Figure 8. Demo Board Bottom Side**

**SIMPLIFIED SCHEMATIC** (One channel shown)



**PACKAGE DESCRIPTION**

**GN Package**  
**24-Lead Plastic SSOP (Narrow .150 Inch)**  
 (Reference LTC DWG # 05-08-1641)



NOTE:

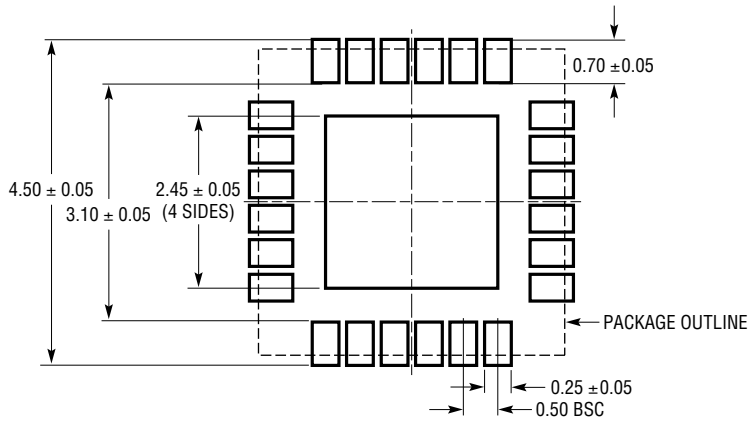
1. CONTROLLING DIMENSION: INCHES
2. DIMENSIONS ARE IN  $\frac{\text{INCHES}}{\text{(MILLIMETERS)}}$
3. DRAWING NOT TO SCALE

\*DIMENSION DOES NOT INCLUDE MOLD FLASH. MOLD FLASH SHALL NOT EXCEED 0.006" (0.152mm) PER SIDE

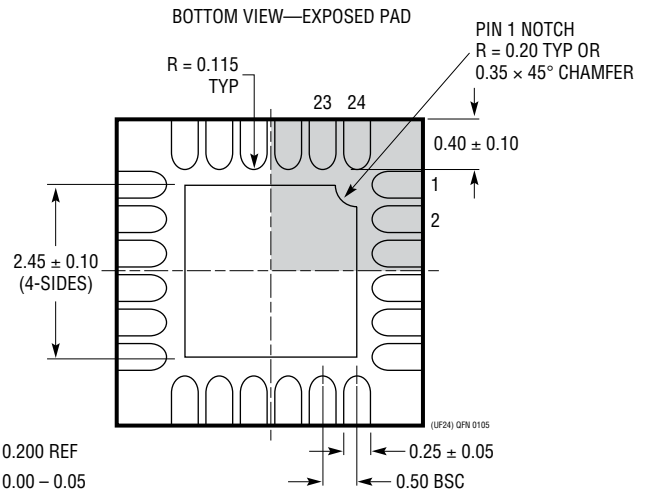
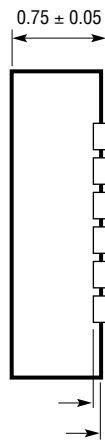
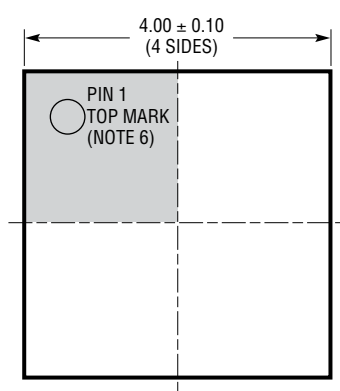
\*\*DIMENSION DOES NOT INCLUDE INTERLEAD FLASH. INTERLEAD FLASH SHALL NOT EXCEED 0.010" (0.254mm) PER SIDE

# PACKAGE DESCRIPTION

**UF Package**  
**24-Lead Plastic QFN (4mm × 4mm)**  
 (Reference LTC DWG # 05-08-1697)



RECOMMENDED SOLDER PAD PITCH AND DIMENSIONS



- NOTE:
1. DRAWING PROPOSED TO BE MADE A JEDEC PACKAGE OUTLINE MO-220 VARIATION (WGGD-X)—TO BE APPROVED
  2. DRAWING NOT TO SCALE
  3. ALL DIMENSIONS ARE IN MILLIMETERS
  4. DIMENSIONS OF EXPOSED PAD ON BOTTOM OF PACKAGE DO NOT INCLUDE MOLD FLASH. MOLD FLASH, IF PRESENT, SHALL NOT EXCEED 0.15mm ON ANY SIDE, IF PRESENT
  5. EXPOSED PAD SHALL BE SOLDER PLATED
  6. SHADED AREA IS ONLY A REFERENCE FOR PIN 1 LOCATION ON THE TOP AND BOTTOM OF PACKAGE

## TYPICAL APPLICATION

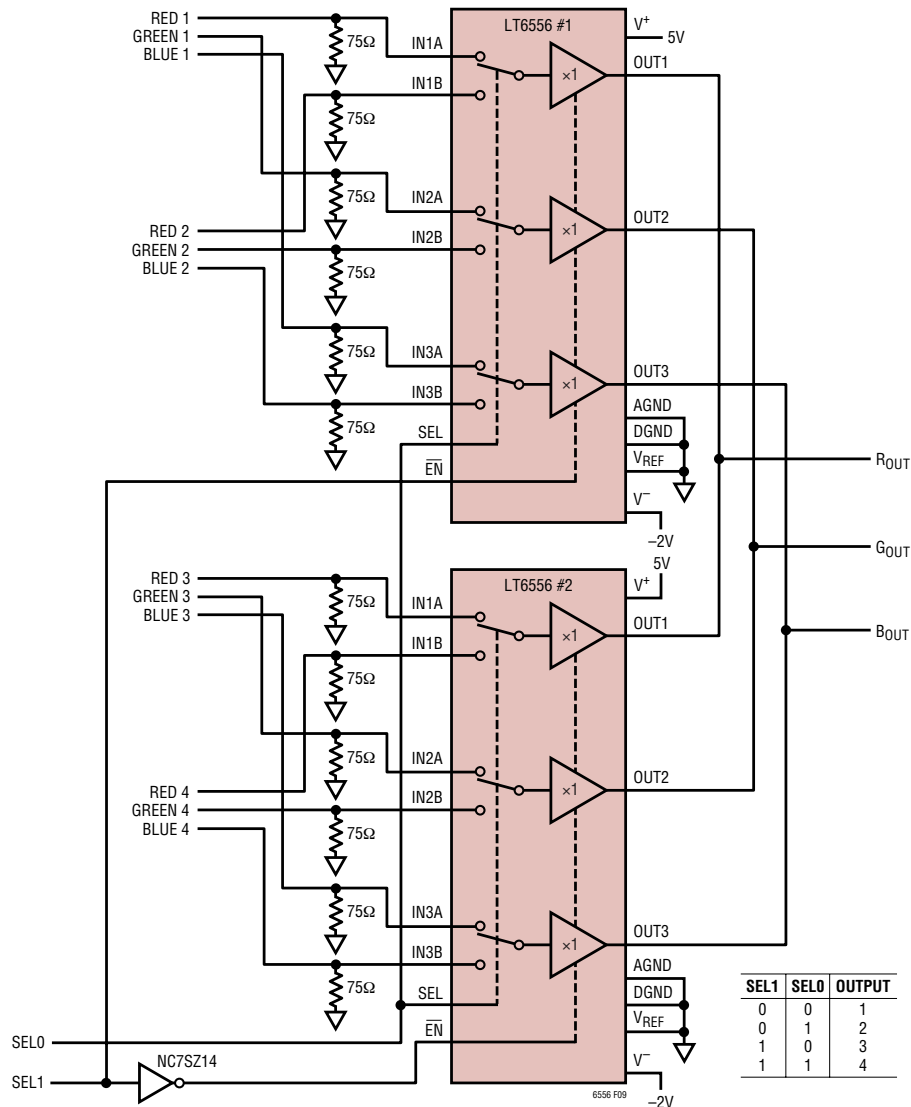


Figure 9. 4:1 RGB Multiplexer

## RELATED PARTS

PART NUMBER	DESCRIPTION	COMMENTS
LT1203	150MHz Single 2:1 Multiplexer	Single SPDT Video Switch
LT1399	300MHz Triple Current Feedback Amplifier	0.1dB Gain Flatness to 150MHz, Shutdown
LT1675	250MHz Triple RGB Multiplexer	100MHz Pixel Switching, 1100V/μs Slew Rate, 16-Lead SSOP
LT6550/LT6551	3.3V Triple and Quad Video Buffers	110MHz Gain of 2 Buffers in MS Package
LT6553	650MHz Gain of 2 Triple Video Amplifier	Same Pinout as the LT6554 but Optimized for Driving 75Ω Cables
LT6554	650MHz Gain of 1 Triple Video Amplifier	Performance Similar to the LT6556 with One Set of Inputs, 16-Lead SSOP
LT6555	650MHz Gain of 2 Triple Video Multiplexer	Same Pinout as the LT6556 but Optimized for Driving 75Ω Cables

## Looking for pricing, stock, or lifecycle information?

Click below to explore more details on WIN SOURCE:

 [View LT6556CUF#PBF on WIN SOURCE](#)

 [Linear Technology](#) Information

## Optimize Your Supply Chain with WIN SOURCE Solutions

-  Global Sourcing Solution
-  Obsolete Management
-  Cost Control Management
-  Shortage Management
-  Alternative Solution
-  Excess Inventory Management