

Features

- High-performance, Low-power 32-bit Atmel® AVR® Microcontroller
 - Compact Single-cycle RISC Instruction Set Including DSP Instructions
 - Read-modify-write Instructions and Atomic Bit Manipulation
 - Performance
 - Up to 64DMIPS Running at 50MHz from Flash (1 Flash Wait State)
 - Up to 36DMIPS Running at 25MHz from Flash (0 Flash Wait State)
 - Memory Protection Unit (MPU)
 - Secure Access Unit (SAU) providing User-defined Peripheral Protection
- picoPower® Technology for Ultra-low Power Consumption
- Multi-hierarchy Bus System
 - High-performance Data Transfers on Separate Buses for Increased Performance
 - 12 Peripheral DMA Channels improve Speed for Peripheral Communication
- Internal High-speed Flash
 - 256Kbytes, 128Kbytes, and 64Kbytes Versions
 - Single-cycle Access up to 25MHz
 - FlashVault Technology Allows Pre-programmed Secure Library Support for End User Applications
 - Prefetch Buffer Optimizing Instruction Execution at Maximum Speed
 - 100,000 Write Cycles, 15-year Data Retention Capability
 - Flash Security Locks and User-defined Configuration Area
- Internal High-speed SRAM, Single-cycle Access at Full Speed
 - 32Kbytes (256Kbytes and 128Kbytes Flash) and 16Kbytes (64Kbytes Flash)
- Interrupt Controller (INTC)
 - Autovector Low-latency Interrupt Service with Programmable Priority
- External Interrupt Controller (EIC)
- Peripheral Event System for Direct Peripheral to Peripheral Communication
- System Functions
 - Power and Clock Manager
 - SleepWalking Power Saving Control
 - Internal System RC Oscillator (RCSYS)
 - 32 KHz Oscillator
 - Multipurpose Oscillator, Phase Locked Loop (PLL), and Digital Frequency Locked Loop (DFLL)
- Windowed Watchdog Timer (WDT)
- Asynchronous Timer (AST) with Real-time Clock Capability
 - Counter or Calendar Mode Supported
- Frequency Meter (FREQM) for Accurate Measuring of Clock Frequency
- Universal Serial Bus (USBC)
 - Full Speed and Low Speed USB Device Support
 - Multi-packet Ping-pong Mode
- Six 16-bit Timer/Counter (TC) Channels
 - External Clock Inputs, PWM, Capture, and Various Counting Capabilities
- 36 PWM Channels (PWMA)
 - 12-bit PWM with a Source Clock up to 150MHz
- Four Universal Synchronous/Asynchronous Receiver/Transmitters (USART)
 - Independent Baudrate Generator, Support for SPI
 - Support for Hardware Handshaking



32-bit Atmel AVR Microcontroller

ATUC256L3U
ATUC128L3U
ATUC64L3U
ATUC256L4U
ATUC128L4U
ATUC64L4U

Summary

- **One Master/Slave Serial Peripheral Interface (SPI) with Chip Select Signals**
 - Up to 15 SPI Slaves can be Addressed
- **Two Master and Two Slave Two-wire Interfaces (TWI), 400kbit/s I²C-compatible**
- **One 8-channel Analog-to-digital Converter (ADC) with up to 12 Bits Resolution**
 - Internal Temperature Sensor
- **Eight Analog Comparators (AC) with Optional Window Detection**
- **Capacitive Touch (CAT) Module**
 - Hardware-assisted Atmel[®] AVR[®] QTouch[®] and Atmel[®] AVR[®] QMatrix Touch Acquisition
 - Supports QTouch and QMatrix Capture from Capacitive Touch Sensors
- **QTouch Library Support**
 - Capacitive Touch Buttons, Sliders, and Wheels
 - QTouch and QMatrix Acquisition
- **Audio Bitstream DAC (ABDACB) Suitable for Stereo Audio**
- **Inter-IC Sound (IIS) Controller**
 - Compliant with Inter-IC Sound (I²S) Specification
- **On-chip Non-intrusive Debug System**
 - Nexus Class 2+, Runtime Control, Non-intrusive Data and Program Trace
 - aWire Single-pin Programming Trace and Debug Interface, Muxed with Reset Pin
 - NanoTrace Provides Trace Capabilities through JTAG or aWire Interface
- **64-pin TQFP/QFN (51 GPIO Pins), 48-pin TQFP/QFN/TLLGA (36 GPIO Pins)**
- **Six High-drive I/O Pins (64-pin Packages), Four High-drive I/O Pins (48-pin Packages)**
- **Single 1.62-3.6V Power Supply**

1. Description

The Atmel® AVR® ATUC64/128/256L3/4U is a complete system-on-chip microcontroller based on the AVR32 UC RISC processor running at frequencies up to 50MHz. AVR32 UC is a high-performance 32-bit RISC microprocessor core, designed for cost-sensitive embedded applications, with particular emphasis on low power consumption, high code density, and high performance.

The processor implements a Memory Protection Unit (MPU) and a fast and flexible interrupt controller for supporting modern and real-time operating systems. The Secure Access Unit (SAU) is used together with the MPU to provide the required security and integrity.

Higher computation capability is achieved using a rich set of DSP instructions.

The ATUC64/128/256L3/4U embeds state-of-the-art picoPower technology for ultra-low power consumption. Combined power control techniques are used to bring active current consumption down to 174µA/MHz, and leakage down to 220nA while still retaining a bank of backup registers. The device allows a wide range of trade-offs between functionality and power consumption, giving the user the ability to reach the lowest possible power consumption with the feature set required for the application.

The Peripheral Direct Memory Access (DMA) controller enables data transfers between peripherals and memories without processor involvement. The Peripheral DMA controller drastically reduces processing overhead when transferring continuous and large data streams.

The ATUC64/128/256L3/4U incorporates on-chip Flash and SRAM memories for secure and fast access. The FlashVault technology allows secure libraries to be programmed into the device. The secure libraries can be executed while the CPU is in Secure State, but not read by non-secure software in the device. The device can thus be shipped to end customers, who will be able to program their own code into the device to access the secure libraries, but without risk of compromising the proprietary secure code.

The External Interrupt Controller (EIC) allows pins to be configured as external interrupts. Each external interrupt has its own interrupt request and can be individually masked.

The Peripheral Event System allows peripherals to receive, react to, and send peripheral events without CPU intervention. Asynchronous interrupts allow advanced peripheral operation in low power sleep modes.

The Power Manager (PM) improves design flexibility and security. The Power Manager supports SleepWalking functionality, by which a module can be selectively activated based on peripheral events, even in sleep modes where the module clock is stopped. Power monitoring is supported by on-chip Power-on Reset (POR), Brown-out Detector (BOD), and Supply Monitor (SM). The device features several oscillators, such as Phase Locked Loop (PLL), Digital Frequency Locked Loop (DFLL), Oscillator 0 (OSC0), and system RC oscillator (RCSYS). Either of these oscillators can be used as source for the system clock. The DFLL is a programmable internal oscillator from 20 to 150MHz. It can be tuned to a high accuracy if an accurate reference clock is running, e.g. the 32KHz crystal oscillator.

The Watchdog Timer (WDT) will reset the device unless it is periodically serviced by the software. This allows the device to recover from a condition that has caused the system to be unstable.

The Asynchronous Timer (AST) combined with the 32KHz crystal oscillator supports powerful real-time clock capabilities, with a maximum timeout of up to 136 years. The AST can operate in counter or calendar mode.

The Frequency Meter (FREQM) allows accurate measuring of a clock frequency by comparing it to a known reference clock.

The Full-speed USB 2.0 device interface (USBC) supports several USB classes at the same time, thanks to the rich end-point configuration.

The device includes six identical 16-bit Timer/Counter (TC) channels. Each channel can be independently programmed to perform frequency measurement, event counting, interval measurement, pulse generation, delay timing, and pulse width modulation.

The Pulse Width Modulation controller (PWMA) provides 12-bit PWM channels which can be synchronized and controlled from a common timer. 36 PWM channels are available, enabling applications that require multiple PWM outputs, such as LCD backlight control. The PWM channels can operate independently, with duty cycles set individually, or in interlinked mode, with multiple channels changed at the same time.

The ATUC64/128/256L3/4U also features many communication interfaces, like USART, SPI, and TWI, for communication intensive applications. The USART supports different communication modes, like SPI Mode and LIN Mode.

A general purpose 8-channel ADC is provided, as well as eight analog comparators (AC). The ADC can operate in 10-bit mode at full speed or in enhanced mode at reduced speed, offering up to 12-bit resolution. The ADC also provides an internal temperature sensor input channel. The analog comparators can be paired to detect when the sensing voltage is within or outside the defined reference window.

The Capacitive Touch (CAT) module senses touch on external capacitive touch sensors, using the QTouch technology. Capacitive touch sensors use no external mechanical components, unlike normal push buttons, and therefore demand less maintenance in the user application. The CAT module allows up to 17 touch sensors, or up to 16 by 8 matrix sensors to be interfaced. All touch sensors can be configured to operate autonomously without software interaction, allowing wakeup from sleep modes when activated.

Atmel offers the QTouch library for embedding capacitive touch buttons, sliders, and wheels functionality into AVR microcontrollers. The patented charge-transfer signal acquisition offers robust sensing and includes fully debounced reporting of touch keys as well as Adjacent Key Suppression® (AKS®) technology for unambiguous detection of key events. The easy-to-use QTouch Suite toolchain allows you to explore, develop, and debug your own touch applications.

The Audio Bitstream DAC (ABDACB) converts a 16-bit sample value to a digital bitstream with an average value proportional to the sample value. Two channels are supported, making the ABDAC particularly suitable for stereo audio.

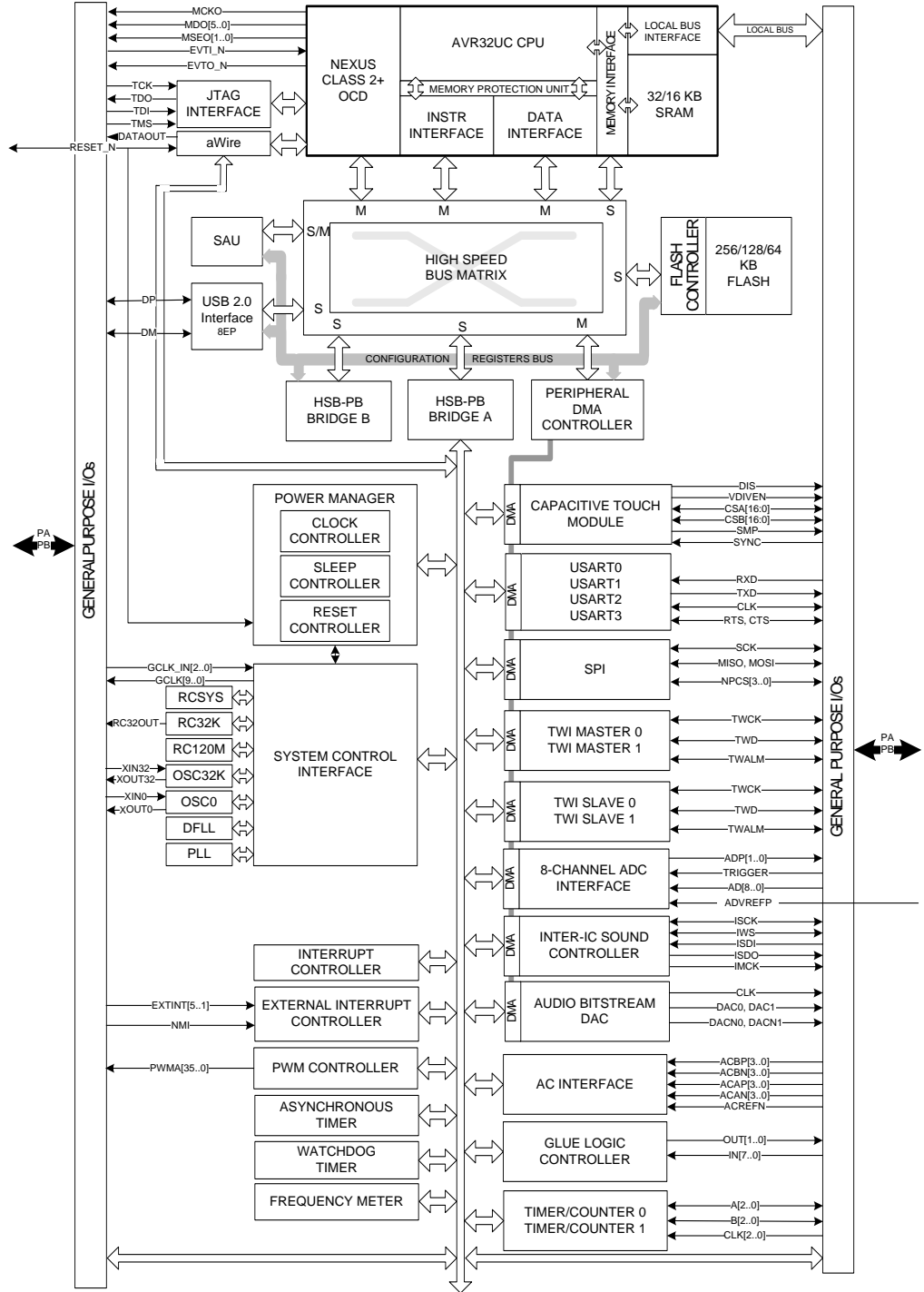
The Inter-IC Sound Controller (IISC) provides a 5-bit wide, bidirectional, synchronous, digital audio link with external audio devices. The controller is compliant with the Inter-IC Sound (I2S) bus specification.

The ATUC64/128/256L3/4U integrates a class 2+ Nexus 2.0 On-chip Debug (OCD) System, with non-intrusive real-time trace and full-speed read/write memory access, in addition to basic runtime control. The NanoTrace interface enables trace feature for aWire- or JTAG-based debuggers. The single-pin aWire interface allows all features available through the JTAG interface to be accessed through the RESET pin, allowing the JTAG pins to be used for GPIO or peripherals.

2. Overview

2.1 Block Diagram

Figure 2-1. Block Diagram



2.2 Configuration Summary

Table 2-1. Configuration Summary

Feature	ATUC256L3U	ATUC128L3U	ATUC64L3U	ATUC256L4U	ATUC128L4U	ATUC64L4U
Flash	256KB	128KB	64KB	256KB	128KB	64KB
SRAM	32KB		16KB	32KB		16KB
GPIO	51			36		
High-drive pins	6			4		
External Interrupts	6					
TWI	2					
USART	4					
Peripheral DMA Channels	12					
Peripheral Event System	1					
SPI	1					
Asynchronous Timers	1					
Timer/Counter Channels	6					
PWM channels	36					
Frequency Meter	1					
Watchdog Timer	1					
Power Manager	1					
Secure Access Unit	1					
Glue Logic Controller	1					
Oscillators	Digital Frequency Locked Loop 20-150MHz (DFLL) Phase Locked Loop 40-240MHz (PLL) Crystal Oscillator 0.45-16MHz (OSC0) Crystal Oscillator 32KHz (OSC32K) RC Oscillator 120MHz (RC120M) RC Oscillator 115kHz (RCSYS) RC Oscillator 32kHz (RC32K)					
ADC	8-channel 12-bit					
Temperature Sensor	1					
Analog Comparators	8					
Capacitive Touch Module	1					
JTAG	1					
aWire	1					
USB	1					
Audio Bitstream DAC	1			0		
IIS Controller	1			0		
Max Frequency	50MHz					
Packages	TQFP64/QFN64			TQFP48/QFN48/TLLGA48		

3. Package and Pinout

3.1 Package

The device pins are multiplexed with peripheral functions as described in [Section](#) .

Figure 3-1. ATUC64/128/256L4U TQFP48/QFN48 Pinout

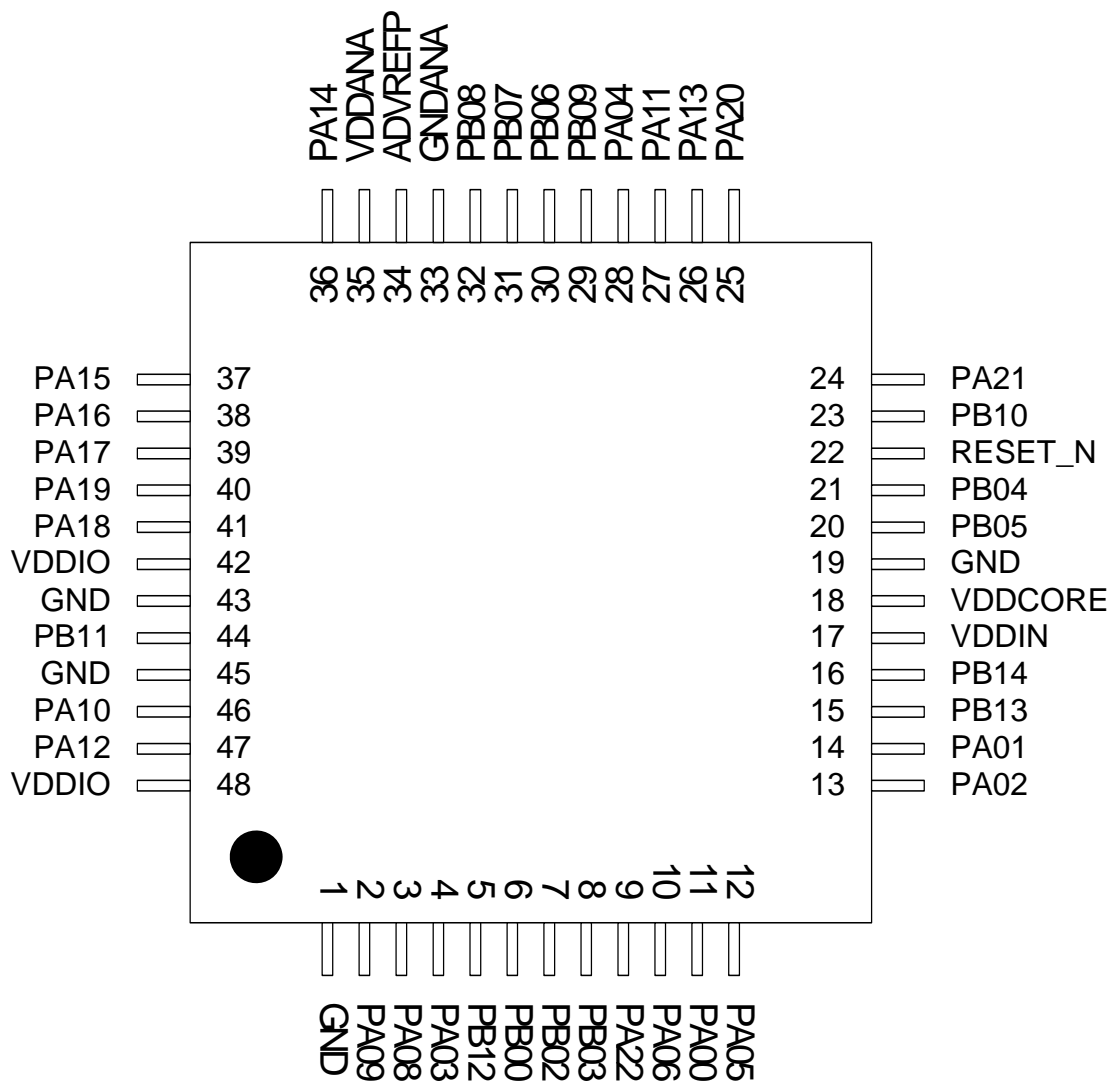


Figure 3-2. ATUC64/128/256L4U TLLGA48 Pinout

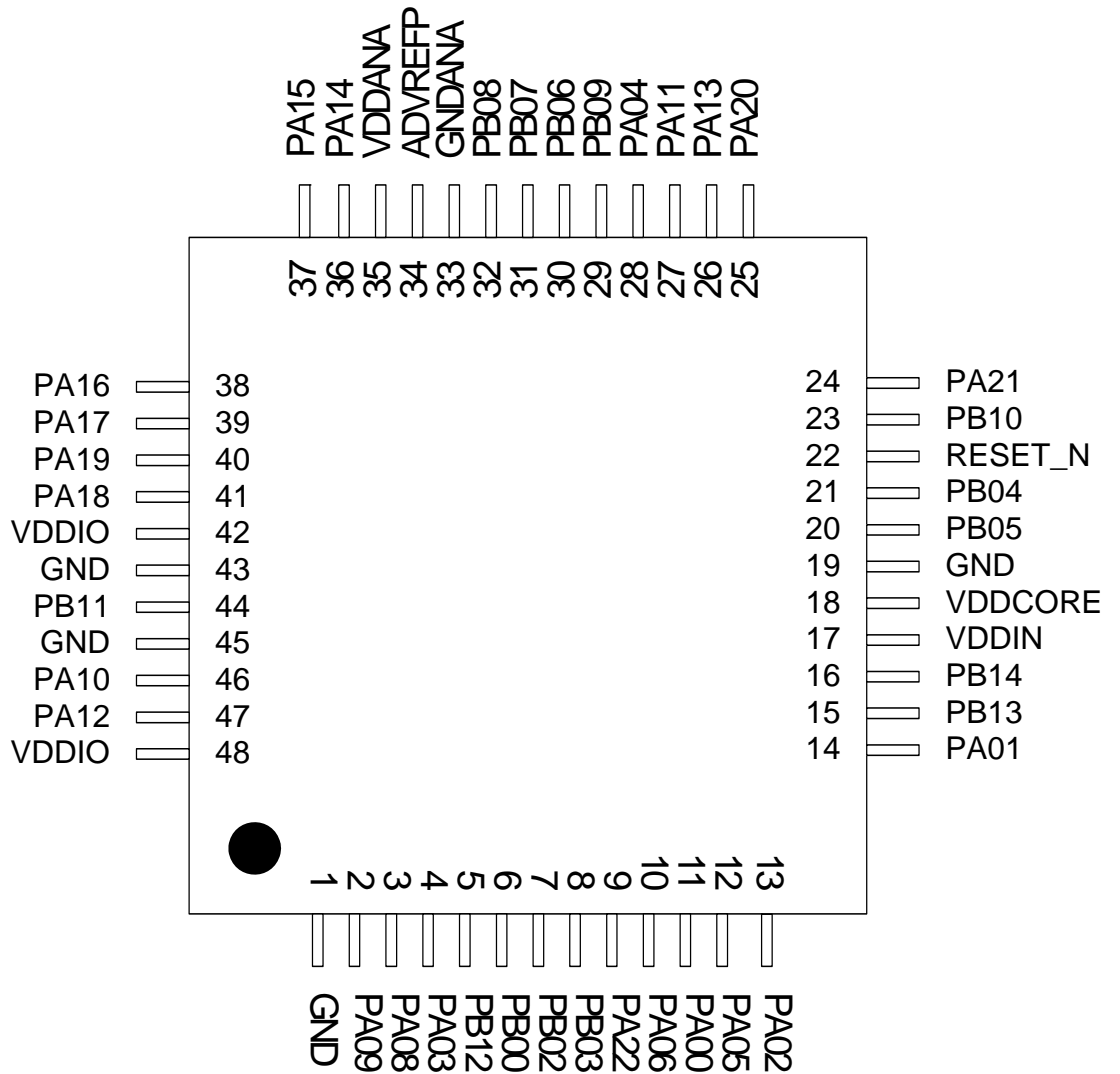
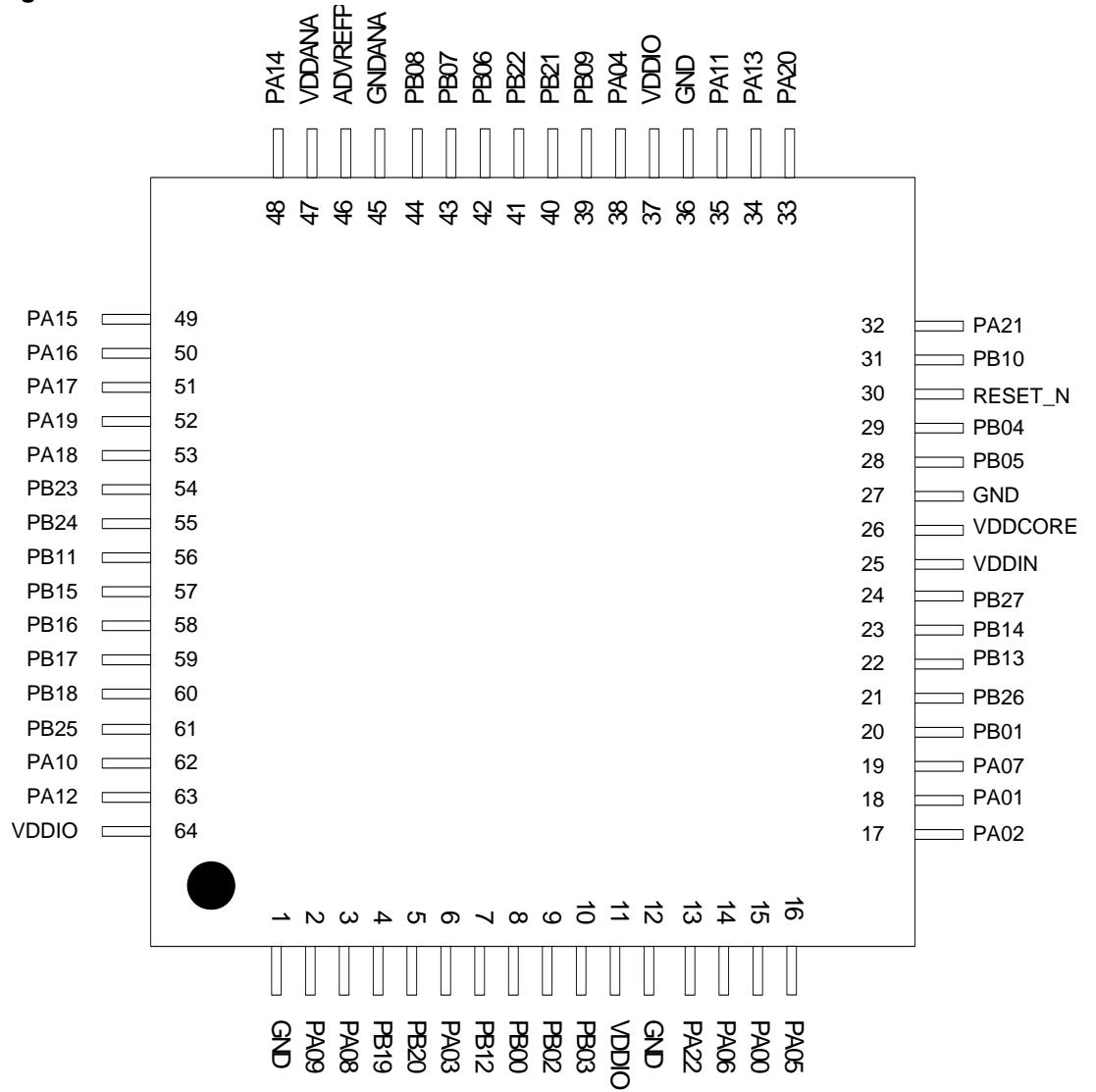


Figure 3-3. ATUC64/128/256L3U TQFP64/QFN64 Pinout



Peripheral Multiplexing on I/O lines

3.1.1 Multiplexed Signals

Each GPIO line can be assigned to one of the peripheral functions. The following table describes the peripheral signals multiplexed to the GPIO lines.

Table 3-1. GPIO Controller Function Multiplexing

48-pin	64-pin	Pin Name	GPIO	Supply	Pad Type	GPIO Function							
						A	B	C	D	E	F	G	H
11	15	PA00	0	VDDIO	Normal I/O	USART0-TXD	USART1-RTS	SPI-NPCS[2]		PWMA-PWMA[0]		SCIF-GCLK[0]	CAT-CSA[2]
14	18	PA01	1	VDDIO	Normal I/O	USART0-RXD	USART1-CTS	SPI-NPCS[3]	USART1-CLK	PWMA-PWMA[1]	ACIFB-ACAP[0]	TWIMS0-TWALM	CAT-CSA[1]
13	17	PA02	2	VDDIO	High-drive I/O	USART0-RTS	ADCIFB-TRIGGER	USART2-TXD	TC0-A0	PWMA-PWMA[2]	ACIFB-ACBP[0]	USART0-CLK	CAT-CSA[3]
4	6	PA03	3	VDDIO	Normal I/O	USART0-CTS	SPI-NPCS[1]	USART2-TXD	TC0-B0	PWMA-PWMA[3]	ACIFB-ACBN[3]	USART0-CLK	CAT-CSB[3]
28	38	PA04	4	VDDIO	Normal I/O	SPI-MISO	TWIMS0-TWCK	USART1-RXD	TC0-B1	PWMA-PWMA[4]	ACIFB-ACBP[1]		CAT-CSA[7]
12	16	PA05	5	VDDIO	Normal I/O (TWI)	SPI-MOSI	TWIMS1-TWCK	USART1-TXD	TC0-A1	PWMA-PWMA[5]	ACIFB-ACBN[0]	TWIMS0-TWD	CAT-CSB[7]
10	14	PA06	6	VDDIO	High-drive I/O, 5V tolerant	SPI-SCK	USART2-TXD	USART1-CLK	TC0-B0	PWMA-PWMA[6]	EIC-EXTINT[2]	SCIF-GCLK[1]	CAT-CSB[1]
	19	PA07	7	VDDIO	Normal I/O (TWI)	SPI-NPCS[0]	USART2-RXD	TWIMS1-TWALM	TWIMS0-TWCK	PWMA-PWMA[7]	ACIFB-ACAN[0]	EIC-NMI (EXTINT[0])	CAT-CSB[2]
3	3	PA08	8	VDDIO	High-drive I/O	USART1-TXD	SPI-NPCS[2]	TC0-A2	ADCIFB-ADP[0]	PWMA-PWMA[8]			CAT-CSA[4]
2	2	PA09	9	VDDIO	High-drive I/O	USART1-RXD	SPI-NPCS[3]	TC0-B2	ADCIFB-ADP[1]	PWMA-PWMA[9]	SCIF-GCLK[2]	EIC-EXTINT[1]	CAT-CSB[4]
46	62	PA10	10	VDDIO	Normal I/O	TWIMS0-TWD		TC0-A0		PWMA-PWMA[10]	ACIFB-ACAP[1]	SCIF-GCLK[2]	CAT-CSA[5]
27	35	PA11	11	VDDIN	Normal I/O					PWMA-PWMA[11]			
47	63	PA12	12	VDDIO	Normal I/O		USART2-CLK	TC0-CLK1	CAT-SMP	PWMA-PWMA[12]	ACIFB-ACAN[1]	SCIF-GCLK[3]	CAT-CSB[5]
26	34	PA13	13	VDDIN	Normal I/O	GLOC-OUT[0]	GLOC-IN[7]	TC0-A0	SCIF-GCLK[2]	PWMA-PWMA[13]	CAT-SMP	EIC-EXTINT[2]	CAT-CSA[0]
36	48	PA14	14	VDDIO	Normal I/O	ADCIFB-AD[0]	TC0-CLK2	USART2-RTS	CAT-SMP	PWMA-PWMA[14]		SCIF-GCLK[4]	CAT-CSA[6]
37	49	PA15	15	VDDIO	Normal I/O	ADCIFB-AD[1]	TC0-CLK1		GLOC-IN[6]	PWMA-PWMA[15]	CAT-SYNC	EIC-EXTINT[3]	CAT-CSB[6]
38	50	PA16	16	VDDIO	Normal I/O	ADCIFB-AD[2]	TC0-CLK0		GLOC-IN[5]	PWMA-PWMA[16]	ACIFB-ACREFN	EIC-EXTINT[4]	CAT-CSA[8]

Table 3-1. GPIO Controller Function Multiplexing

39	51	PA17	17	VDDIO	Normal I/O (TWI)		TC0-A1	USART2-CTS	TWIMS1-TWD	PWMA-PWMA[17]	CAT-SMP	CAT-DIS	CAT-CSB[8]	
41	53	PA18	18	VDDIO	Normal I/O	ADCIFB-AD[4]	TC0-B1		GLOC-IN[4]	PWMA-PWMA[18]	CAT-SYNC	EIC-EXTINT[5]	CAT-CSB[0]	
40	52	PA19	19	VDDIO	Normal I/O	ADCIFB-AD[5]		TC0-A2	TWIMS1-TWALM	PWMA-PWMA[19]	SCIF-GCLK_IN[0]	CAT-SYNC	CAT-CSA[10]	
25	33	PA20	20	VDDIN	Normal I/O	USART2-TXD		TC0-A1	GLOC-IN[3]	PWMA-PWMA[20]	SCIF-RC32OUT		CAT-CSA[12]	
24	32	PA21	21	VDDIN	Normal I/O (TWI, 5V tolerant, SMBus)	USART2-RXD	TWIMS0-TWD	TC0-B1	ADCIFB-TRIGGER	PWMA-PWMA[21]	PWMA-PWMAOD[21]	SCIF-GCLK[0]	CAT-SMP	
9	13	PA22	22	VDDIO	Normal I/O	USART0-CTS	USART2-CLK	TC0-B2	CAT-SMP	PWMA-PWMA[22]	ACIFB-ACBN[2]		CAT-CSB[10]	
6	8	PB00	32	VDDIO	Normal I/O	USART3-TXD	ADCIFB-ADP[0]	SPI-NPCS[0]	TC0-A1	PWMA-PWMA[23]	ACIFB-ACAP[2]	TC1-A0	CAT-CSA[9]	
	20	PB01	33	VDDIO	High-drive I/O	USART3-RXD	ADCIFB-ADP[1]	SPI-SCK	TC0-B1	PWMA-PWMA[24]		TC1-A1	CAT-CSB[9]	
7	9	PB02	34	VDDIO	Normal I/O	USART3-RTS	USART3-CLK	SPI-MISO	TC0-A2	PWMA-PWMA[25]	ACIFB-ACAN[2]	SCIF-GCLK[1]	CAT-CSB[11]	
8	10	PB03	35	VDDIO	Normal I/O	USART3-CTS	USART3-CLK	SPI-MOSI	TC0-B2	PWMA-PWMA[26]	ACIFB-ACBP[2]	TC1-A2	CAT-CSA[11]	
21	29	PB04	36	VDDIN	Normal I/O (TWI, 5V tolerant, SMBus)		TC1-A0	USART1-RTS	USART1-CLK	TWIMS0-TWALM	PWMA-PWMA[27]	PWMA-PWMAOD[27]	TWIMS1-TWCK	CAT-CSA[14]
20	28	PB05	37	VDDIN	Normal I/O (TWI, 5V tolerant, SMBus)		TC1-B0	USART1-CTS	USART1-CLK	TWIMS0-TWCK	PWMA-PWMA[28]	PWMA-PWMAOD[28]	SCIF-GCLK[3]	CAT-CSB[14]
30	42	PB06	38	VDDIO	Normal I/O		TC1-A1	USART3-TXD	ADCIFB-AD[6]	GLOC-IN[2]	PWMA-PWMA[29]	ACIFB-ACAN[3]	EIC-NMI (EXTINT[0])	CAT-CSB[13]
31	43	PB07	39	VDDIO	Normal I/O		TC1-B1	USART3-RXD	ADCIFB-AD[7]	GLOC-IN[1]	PWMA-PWMA[30]	ACIFB-ACAP[3]	EIC-EXTINT[1]	CAT-CSA[13]
32	44	PB08	40	VDDIO	Normal I/O		TC1-A2	USART3-RTS	ADCIFB-AD[8]	GLOC-IN[0]	PWMA-PWMA[31]	CAT-SYNC	EIC-EXTINT[2]	CAT-CSB[12]
29	39	PB09	41	VDDIO	Normal I/O		TC1-B2	USART3-CTS	USART3-CLK		PWMA-PWMA[32]	ACIFB-ACBN[1]	EIC-EXTINT[3]	CAT-CSB[15]
23	31	PB10	42	VDDIN	Normal I/O		TC1-CLK0	USART1-TXD	USART3-CLK	GLOC-OUT[1]	PWMA-PWMA[33]	SCIF-GCLK_IN[1]	EIC-EXTINT[4]	CAT-CSB[16]
44	56	PB11	43	VDDIO	Normal I/O		TC1-CLK1	USART1-RXD		ADCIFB-TRIGGER	PWMA-PWMA[34]	CAT-VDIVEN	EIC-EXTINT[5]	CAT-CSA[16]
5	7	PB12	44	VDDIO	Normal I/O		TC1-CLK2		TWIMS1-TWALM	CAT-SYNC	PWMA-PWMA[35]	ACIFB-ACBP[3]	SCIF-GCLK[4]	CAT-CSA[15]
15	22	PB13	45	VDDIN	USB I/O	USBC-DM	USART3-TXD			TC1-A1	PWMA-PWMA[7]	ADCIFB-ADP[1]	SCIF-GCLK[5]	CAT-CSB[2]
16	23	PB14	46	VDDIN	USB I/O	USBC-DP	USART3-RXD			TC1-B1	PWMA-PWMA[24]		SCIF-GCLK[5]	CAT-CSB[9]

Table 3-1. GPIO Controller Function Multiplexing

	57	PB15	47	VDDIO	High-drive I/O	ABDACB-CLK	IISC-IMCK	SPI-SCK	TC0-CLK2	PWMA-PWMA[8]		SCIF-GCLK[3]	CAT-CSB[4]
	58	PB16	48	VDDIO	Normal I/O	ABDACB-DAC[0]	IISC-ISCK	USART0-TXD		PWMA-PWMA[9]		SCIF-GCLK[2]	CAT-CSA[5]
	59	PB17	49	VDDIO	Normal I/O	ABDACB-DAC[1]	IISC-IWS	USART0-RXD		PWMA-PWMA[10]			CAT-CSB[5]
	60	PB18	50	VDDIO	Normal I/O	ABDACB-DACN[0]	IISC-ISDI	USART0-RTS		PWMA-PWMA[12]			CAT-CSA[0]
	4	PB19	51	VDDIO	Normal I/O	ABDACB-DACN[1]	IISC-ISDO	USART0-CTS		PWMA-PWMA[20]		EIC-EXTINT[1]	CAT-CSA[12]
	5	PB20	52	VDDIO	Normal I/O	TWIMS1-TWD	USART2-RXD	SPI-NPCS[1]	TC0-A0	PWMA-PWMA[21]	USART1-RTS	USART1-CLK	CAT-CSA[14]
	40	PB21	53	VDDIO	Normal I/O	TWIMS1-TWCK	USART2-TXD	SPI-NPCS[2]	TC0-B0	PWMA-PWMA[28]	USART1-CTS	USART1-CLK	CAT-CSB[14]
	41	PB22	54	VDDIO	Normal I/O	TWIMS1-TWALM		SPI-NPCS[3]	TC0-CLK0	PWMA-PWMA[27]	ADCIFB-TRIGGER	SCIF-GCLK[0]	CAT-CSA[8]
	54	PB23	55	VDDIO	Normal I/O	SPI-MISO	USART2-RTS	USART2-CLK	TC0-A2	PWMA-PWMA[0]	CAT-SMP	SCIF-GCLK[6]	CAT-CSA[4]
	55	PB24	56	VDDIO	Normal I/O	SPI-MOSI	USART2-CTS	USART2-CLK	TC0-B2	PWMA-PWMA[1]	ADCIFB-ADP[1]	SCIF-GCLK[7]	CAT-CSA[2]
	61	PB25	57	VDDIO	Normal I/O	SPI-NPCS[0]	USART1-RXD		TC0-A1	PWMA-PWMA[2]	SCIF-GCLK_IN[2]	SCIF-GCLK[8]	CAT-CSA[3]
	21	PB26	58	VDDIO	Normal I/O	SPI-SCK	USART1-TXD		TC0-B1	PWMA-PWMA[3]	ADCIFB-ADP[0]	SCIF-GCLK[9]	CAT-CSB[3]
	24	PB27	59	VDDIN	Normal I/O		USART1-RXD		TC0-CLK1	PWMA-PWMA[4]	ADCIFB-ADP[1]	EIC-NMI (EXTINT[0])	CAT-CSA[9]

3.2 See Section 3.3 for a description of the various peripheral signals.

Refer to "Electrical Characteristics" on page 991 for a description of the electrical properties of the pin types used.

3.2.1 TWI, 5V Tolerant, and SMBUS Pins

Some normal I/O pins offer TWI, 5V tolerance, and SMBUS features. These features are only available when either of the TWI functions or the PWMAOD function in the PWMA are selected for these pins.

Refer to the "Electrical Characteristics" on page 991 for a description of the electrical properties of the TWI, 5V tolerance, and SMBUS pins.

3.2.2 Peripheral Functions

Each GPIO line can be assigned to one of several peripheral functions. The following table describes how the various peripheral functions are selected. The last listed function has priority in case multiple functions are enabled on the same pin.

Table 3-2. Peripheral Functions

Function	Description
GPIO Controller Function multiplexing	GPIO and GPIO peripheral selection A to H
Nexus OCD AUX port connections	OCD trace system
aWire DATAOUT	aWire output in two-pin mode
JTAG port connections	JTAG debug port
Oscillators	OSC0, OSC32

3.2.3 JTAG Port Connections

If the JTAG is enabled, the JTAG will take control over a number of pins, irrespectively of the I/O Controller configuration.

Table 3-3. JTAG Pinout

48-pin	64-pin	Pin name	JTAG pin
11	15	PA00	TCK
14	18	PA01	TMS
13	17	PA02	TDO
4	6	PA03	TDI

3.2.4 Nexus OCD AUX Port Connections

If the OCD trace system is enabled, the trace system will take control over a number of pins, irrespectively of the I/O Controller configuration. Two different OCD trace pin mappings are possible, depending on the configuration of the OCD AXS register. For details, see the AVR32 UC Technical Reference Manual.

Table 3-4. Nexus OCD AUX Port Connections

Pin	AXS=1	AXS=0
EVTI_N	PA05	PB08
MDO[5]	PA10	PB00
MDO[4]	PA18	PB04
MDO[3]	PA17	PB05
MDO[2]	PA16	PB03
MDO[1]	PA15	PB02
MDO[0]	PA14	PB09

Table 3-4. Nexus OCD AUX Port Connections

Pin	AXS=1	AXS=0
EVTO_N	PA04	PA04
MCKO	PA06	PB01
MSEO[1]	PA07	PB11
MSEO[0]	PA11	PB12

3.2.5 Oscillator Pinout

The oscillators are not mapped to the normal GPIO functions and their muxings are controlled by registers in the System Control Interface (SCIF). Please refer to the SCIF chapter for more information about this.

Table 3-5. Oscillator Pinout

48-pin	64-pin	Pin Name	Oscillator Pin
3	3	PA08	XIN0
46	62	PA10	XIN32
26	34	PA13	XIN32_2
2	2	PA09	XOUT0
47	63	PA12	XOUT32
25	33	PA20	XOUT32_2

3.2.6 Other Functions

The functions listed in [Table 3-6](#) are not mapped to the normal GPIO functions. The aWire DATA pin will only be active after the aWire is enabled. The aWire DATAOUT pin will only be active after the aWire is enabled and the 2_PIN_MODE command has been sent. The WAKE_N pin is always enabled. Please refer to [Section 6.1.4.2 on page 45](#) for constraints on the WAKE_N pin.

Table 3-6. Other Functions

48-pin	64-pin	Pin Name	Function
27	35	PA11	WAKE_N
22	30	RESET_N	aWire DATA
11	15	PA00	aWire DATAOUT

3.3 Signal Descriptions

The following table gives details on signal name classified by peripheral.

Table 3-7. Signal Descriptions List

Signal Name	Function	Type	Active Level	Comments
Audio Bitstream DAC - ABDACB				
CLK	D/A Clock out	Output		
DAC1 - DAC0	D/A Bitstream out	Output		
DACN1 - DACN0	D/A Inverted bitstream out	Output		
Analog Comparator Interface - ACIFB				
ACAN3 - ACAN0	Negative inputs for comparators "A"	Analog		
ACAP3 - ACAP0	Positive inputs for comparators "A"	Analog		
ACBN3 - ACBN0	Negative inputs for comparators "B"	Analog		
ACBP3 - ACBP0	Positive inputs for comparators "B"	Analog		
ACREFN	Common negative reference	Analog		
ADC Interface - ADCIFB				
AD8 - AD0	Analog Signal	Analog		
ADP1 - ADP0	Drive Pin for resistive touch screen	Output		
TRIGGER	External trigger	Input		
aWire - AW				
DATA	aWire data	I/O		
DATAOUT	aWire data output for 2-pin mode	I/O		
Capacitive Touch Module - CAT				
CSA16 - CSA0	Capacitive Sense A	I/O		
CSB16 - CSB0	Capacitive Sense B	I/O		
DIS	Discharge current control	Analog		
SMP	SMP signal	Output		
SYNC	Synchronize signal	Input		
VDIVEN	Voltage divider enable	Output		
External Interrupt Controller - EIC				
NMI (EXTINT0)	Non-Maskable Interrupt	Input		
EXTINT5 - EXTINT1	External interrupt	Input		
Glue Logic Controller - GLOC				
IN7 - IN0	Inputs to lookup tables	Input		
OUT1 - OUT0	Outputs from lookup tables	Output		
Inter-IC Sound (I2S) Controller - IISC				

Table 3-7. Signal Descriptions List

IMCK	I2S Master Clock	Output		
ISCK	I2S Serial Clock	I/O		
ISDI	I2S Serial Data In	Input		
ISDO	I2S Serial Data Out	Output		
IWS	I2S Word Select	I/O		
JTAG module - JTAG				
TCK	Test Clock	Input		
TDI	Test Data In	Input		
TDO	Test Data Out	Output		
TMS	Test Mode Select	Input		
Power Manager - PM				
RESET_N	Reset	Input	Low	
Pulse Width Modulation Controller - PWMA				
PWMA35 - PWMA0	PWMA channel waveforms	Output		
PWMAOD35 - PWMAOD0	PWMA channel waveforms, open drain mode	Output		Not all channels support open drain mode
System Control Interface - SCIF				
GCLK9 - GCLK0	Generic Clock Output	Output		
GCLK_IN2 - GCLK_IN0	Generic Clock Input	Input		
RC32OUT	RC32K output at startup	Output		
XIN0	Crystal 0 Input	Analog/ Digital		
XIN32	Crystal 32 Input (primary location)	Analog/ Digital		
XIN32_2	Crystal 32 Input (secondary location)	Analog/ Digital		
XOUT0	Crystal 0 Output	Analog		
XOUT32	Crystal 32 Output (primary location)	Analog		
XOUT32_2	Crystal 32 Output (secondary location)	Analog		
Serial Peripheral Interface - SPI				
MISO	Master In Slave Out	I/O		
MOSI	Master Out Slave In	I/O		
NPCS3 - NPCS0	SPI Peripheral Chip Select	I/O	Low	
SCK	Clock	I/O		
Timer/Counter - TC0, TC1				
A0	Channel 0 Line A	I/O		
A1	Channel 1 Line A	I/O		
A2	Channel 2 Line A	I/O		

Table 3-7. Signal Descriptions List

B0	Channel 0 Line B	I/O		
B1	Channel 1 Line B	I/O		
B2	Channel 2 Line B	I/O		
CLK0	Channel 0 External Clock Input	Input		
CLK1	Channel 1 External Clock Input	Input		
CLK2	Channel 2 External Clock Input	Input		
Two-wire Interface - TWIMS0, TWIMS1				
TWALM	SMBus SMBALERT	I/O	Low	
TWCK	Two-wire Serial Clock	I/O		
TWD	Two-wire Serial Data	I/O		
Universal Synchronous Asynchronous Receiver Transmitter - USART0, USART1, USART2, USART3				
CLK	Clock	I/O		
CTS	Clear To Send	Input	Low	
RTS	Request To Send	Output	Low	
RXD	Receive Data	Input		
TXD	Transmit Data	Output		

Note: 1. ADCIFB: AD3 does not exist.

Table 3-8. Signal Description List, Continued

Signal Name	Function	Type	Active Level	Comments
Power				
VDDCORE	Core Power Supply / Voltage Regulator Output	Power Input/Output		1.62V to 1.98V
VDDIO	I/O Power Supply	Power Input		1.62V to 3.6V. VDDIO should always be equal to or lower than VDDIN.
VDDANA	Analog Power Supply	Power Input		1.62V to 1.98V
ADVREFP	Analog Reference Voltage	Power Input		1.62V to 1.98V
VDDIN	Voltage Regulator Input	Power Input		1.62V to 3.6V ⁽¹⁾
GNDANA	Analog Ground	Ground		
GND	Ground	Ground		
Auxiliary Port - AUX				
MCKO	Trace Data Output Clock	Output		
MDO5 - MDO0	Trace Data Output	Output		

Table 3-8. Signal Description List, Continued

Signal Name	Function	Type	Active Level	Comments
MSEO1 - MSEO0	Trace Frame Control	Output		
EVTI_N	Event In	Input	Low	
EVTO_N	Event Out	Output	Low	
General Purpose I/O pin				
PA22 - PA00	Parallel I/O Controller I/O Port 0	I/O		
PB27 - PB00	Parallel I/O Controller I/O Port 1	I/O		

Note: 1. See [Section 6. on page 40](#)

3.4 I/O Line Considerations

3.4.1 JTAG Pins

The JTAG is enabled if TCK is low while the RESET_N pin is released. The TCK, TMS, and TDI pins have pull-up resistors when JTAG is enabled. The TCK pin always has pull-up enabled during reset. The TDO pin is an output, driven at VDDIO, and has no pull-up resistor. The JTAG pins can be used as GPIO pins and multiplexed with peripherals when the JTAG is disabled. Please refer to [Section 3.2.3 on page 13](#) for the JTAG port connections.

3.4.2 PA00

Note that PA00 is multiplexed with TCK. PA00 GPIO function must only be used as output in the application.

3.4.3 RESET_N Pin

The RESET_N pin is a schmitt input and integrates a permanent pull-up resistor to VDDIN. As the product integrates a power-on reset detector, the RESET_N pin can be left unconnected in case no reset from the system needs to be applied to the product.

The RESET_N pin is also used for the aWire debug protocol. When the pin is used for debugging, it must not be driven by external circuitry.

3.4.4 TWI Pins PA21/PB04/PB05

When these pins are used for TWI, the pins are open-drain outputs with slew-rate limitation and inputs with spike filtering. When used as GPIO pins or used for other peripherals, the pins have the same characteristics as other GPIO pins. Selected pins are also SMBus compliant (refer to [Section on page 10](#)). As required by the SMBus specification, these pins provide no leakage path to ground when the ATUC64/128/256L3/4U is powered down. This allows other devices on the SMBus to continue communicating even though the ATUC64/128/256L3/4U is not powered.

After reset a TWI function is selected on these pins instead of the GPIO. Please refer to the GPIO Module Configuration chapter for details.

3.4.5 TWI Pins PA05/PA07/PA17

When these pins are used for TWI, the pins are open-drain outputs with slew-rate limitation and inputs with spike filtering. When used as GPIO pins or used for other peripherals, the pins have the same characteristics as other GPIO pins.

After reset a TWI function is selected on these pins instead of the GPIO. Please refer to the GPIO Module Configuration chapter for details.

3.4.6 GPIO Pins

All the I/O lines integrate a pull-up resistor. Programming of this pull-up resistor is performed independently for each I/O line through the GPIO Controllers. After reset, I/O lines default as inputs with pull-up resistors disabled, except PA00 which has the pull-up resistor enabled. PA20 selects SCIF-RC32OUT (GPIO Function F) as default enabled after reset.

3.4.7 High-drive Pins

The six pins PA02, PA06, PA08, PA09, PB01, and PB15 have high-drive output capabilities. Refer to [Section 34. on page 991](#) for electrical characteristics.

3.4.8 USB Pins PB13/PB14

When these pins are used for USB, the pins are behaving according to the USB specification. When used as GPIO pins or used for other peripherals, the pins have the same behaviour as other normal I/O pins, but the characteristics are different. Refer to [Section 34. on page 991](#) for electrical characteristics.

To be able to use the USB I/O the VDDIN power supply must be 3.3V nominal.

3.4.9 RC32OUT Pin**3.4.9.1 Clock output at startup**

After power-up, the clock generated by the 32kHz RC oscillator (RC32K) will be output on PA20, even when the device is still reset by the Power-On Reset Circuitry. This clock can be used by the system to start other devices or to clock a switching regulator to rise the power supply voltage up to an acceptable value.

The clock will be available on PA20, but will be disabled if one of the following conditions are true:

- PA20 is configured to use a GPIO function other than F (SCIF-RC32OUT)
- PA20 is configured as a General Purpose Input/Output (GPIO)
- The bit FRC32 in the Power Manager PPCR register is written to zero (refer to the Power Manager chapter)

The maximum amplitude of the clock signal will be defined by VDDIN.

Once the RC32K output on PA20 is disabled it can never be enabled again.

3.4.9.2 XOUT32_2 function

PA20 selects RC32OUT as default enabled after reset. This function is not automatically disabled when the user enables the XOUT32_2 function on PA20. This disturbs the oscillator and may result in the wrong frequency. To avoid this, RC32OUT must be disabled when XOUT32_2 is enabled.

3.4.10 ADC Input Pins

These pins are regular I/O pins powered from the VDDIO. However, when these pins are used for ADC inputs, the voltage applied to the pin must not exceed 1.98V. Internal circuitry ensures that the pin cannot be used as an analog input pin when the I/O drives to VDD. When the pins are not used for ADC inputs, the pins may be driven to the full I/O voltage range.

4. Mechanical Characteristics

4.1 Thermal Considerations

4.1.1 Thermal Data

Table 4-1 summarizes the thermal resistance data depending on the package.

Table 4-1. Thermal Resistance Data

Symbol	Parameter	Condition	Package	Typ	Unit
θ_{JA}	Junction-to-ambient thermal resistance	Still Air	TQFP48	54.4	°C/W
θ_{JC}	Junction-to-case thermal resistance		TQFP48	15.7	
θ_{JA}	Junction-to-ambient thermal resistance	Still Air	QFN48	26.0	°C/W
θ_{JC}	Junction-to-case thermal resistance		QFN48	1.6	
θ_{JA}	Junction-to-ambient thermal resistance	Still Air	TLLGA48	25.4	°C/W
θ_{JC}	Junction-to-case thermal resistance		TLLGA48	12.7	
θ_{JA}	Junction-to-ambient thermal resistance	Still Air	TQFP64	52.9	°C/W
θ_{JC}	Junction-to-case thermal resistance		TQFP64	15.5	
θ_{JA}	Junction-to-ambient thermal resistance	Still Air	QFN64	22.9	°C/W
θ_{JC}	Junction-to-case thermal resistance		QFN64	1.6	

4.1.2 Junction Temperature

The average chip-junction temperature, T_J , in °C can be obtained from the following:

- $T_J = T_A + (P_D \times \theta_{JA})$
- $T_J = T_A + (P_D \times (\theta_{HEATSINK} + \theta_{JC}))$

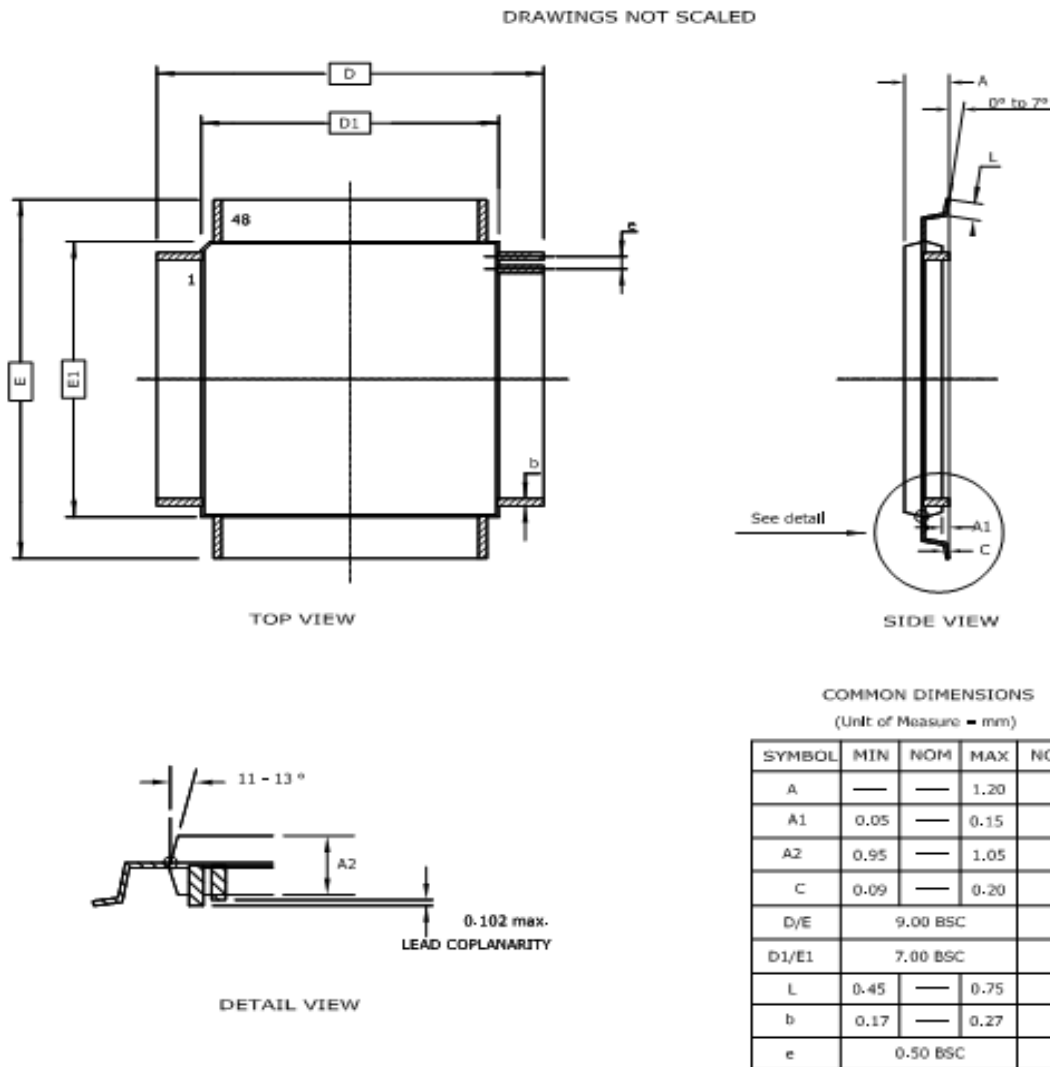
where:

- θ_{JA} = package thermal resistance, Junction-to-ambient (°C/W), provided in [Table 4-1](#).
- θ_{JC} = package thermal resistance, Junction-to-case thermal resistance (°C/W), provided in [Table 4-1](#).
- $\theta_{HEAT\ SINK}$ = cooling device thermal resistance (°C/W), provided in the device datasheet.
- P_D = device power consumption (W) estimated from data provided in [Section 34.4 on page 992](#).
- T_A = ambient temperature (°C).

From the first equation, the user can derive the estimated lifetime of the chip and decide if a cooling device is necessary or not. If a cooling device is to be fitted on the chip, the second equation should be used to compute the resulting average chip-junction temperature T_J in °C.

4.2 Package Drawings

Figure 4-1. TQFP-48 Package Drawing



- Notes : 1. This drawing is for general information only. Refer to JEDEC Drawing MS-026, Variation ABC.
 2. Dimensions D1 and E1 do not include mold protrusion. Allowable protrusion is 0.25mm per side. Dimensions D1 and E1 are maximum plastic body size dimensions including mold mismatch.
 3. Lead coplanarity is 0.10mm maximum.

10/04/2011

Table 4-2. Device and Package Maximum Weight

140	mg
-----	----

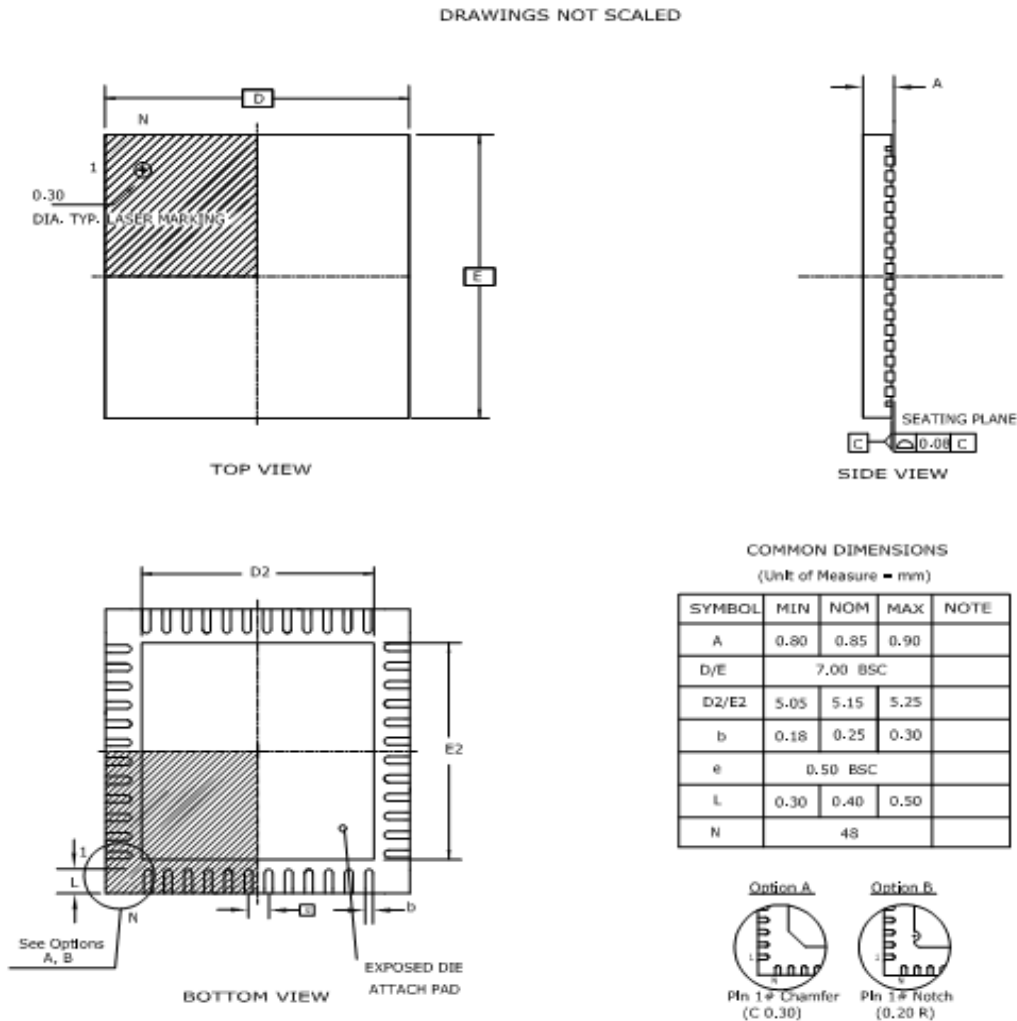
Table 4-3. Package Characteristics

Moisture Sensitivity Level	MSL3
----------------------------	------

Table 4-4. Package Reference

JEDEC Drawing Reference	MS-026
JESD97 Classification	E3

Figure 4-2. QFN-48 Package Drawing



Notes : 1. This drawing is for general information only. Refer to JEDEC Drawing MO-220, Variation VKKD-4, for proper dimensions, tolerances, datums, etc.
 2. Dimension b applies to metallized terminal and is measured between 0.15mm and 0.30mm from the terminal tip.
 If the terminal has the optical radius on the other end of the terminal, the dimension should not be measured in that radius area.

07/27/2011

Note: The exposed pad is not connected to anything internally, but should be soldered to ground to increase board level reliability.

Table 4-5. Device and Package Maximum Weight

140	mg
-----	----

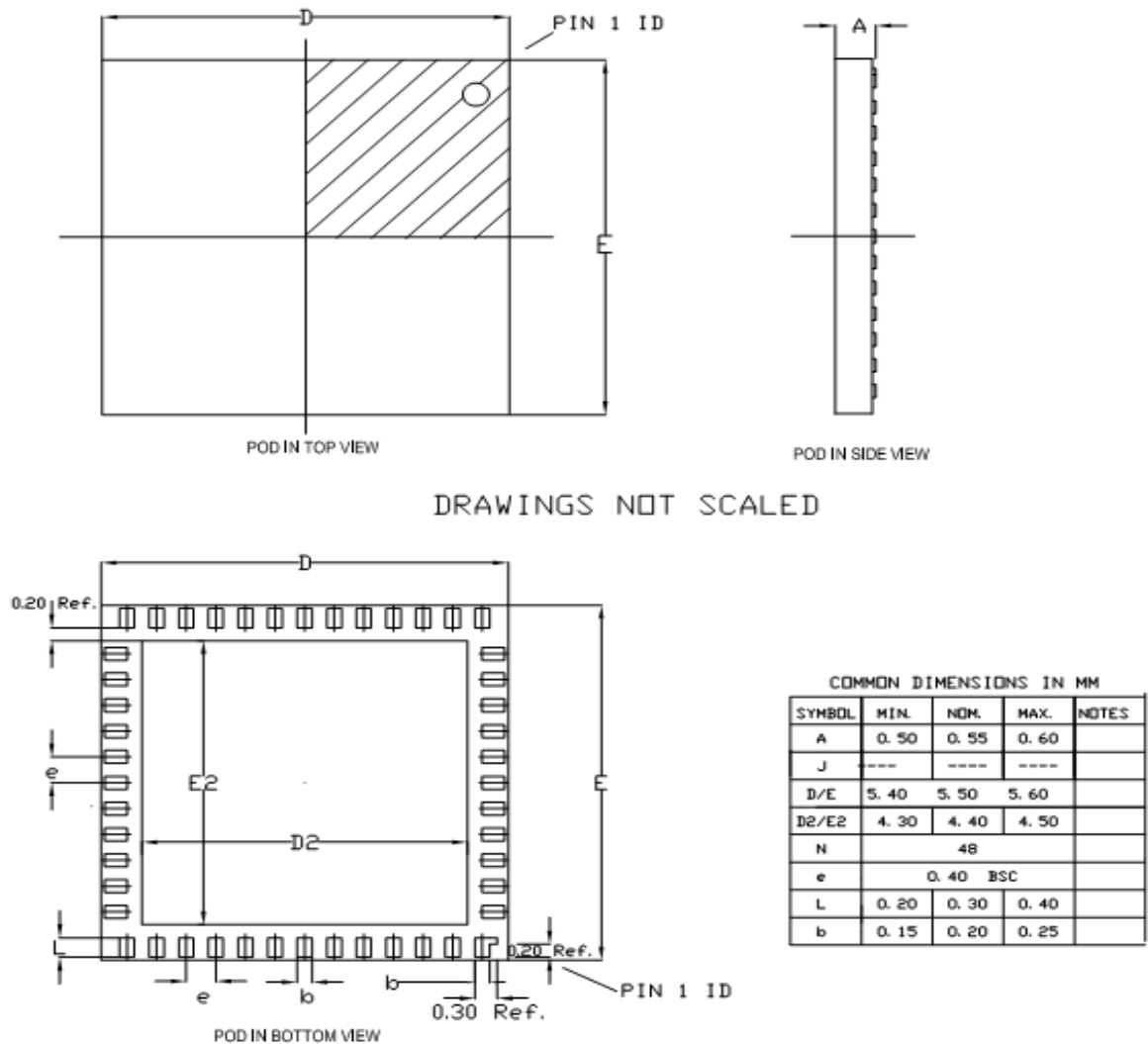
Table 4-6. Package Characteristics

Moisture Sensitivity Level	MSL3
----------------------------	------

Table 4-7. Package Reference

JEDEC Drawing Reference	M0-220
JESD97 Classification	E3

Figure 4-3. TLLGA-48 Package Drawing



DRAWINGS NOT SCALED

NOT RECOMMENDED TO MOUNT ON ANY FLEX OR FILM PCB OR MCM DEVICE WHICH REQUIRES SECOND MOLD ABOVE THIS PACKAGE

19/05/08

Table 4-8. Device and Package Maximum Weight

39.3	mg
------	----

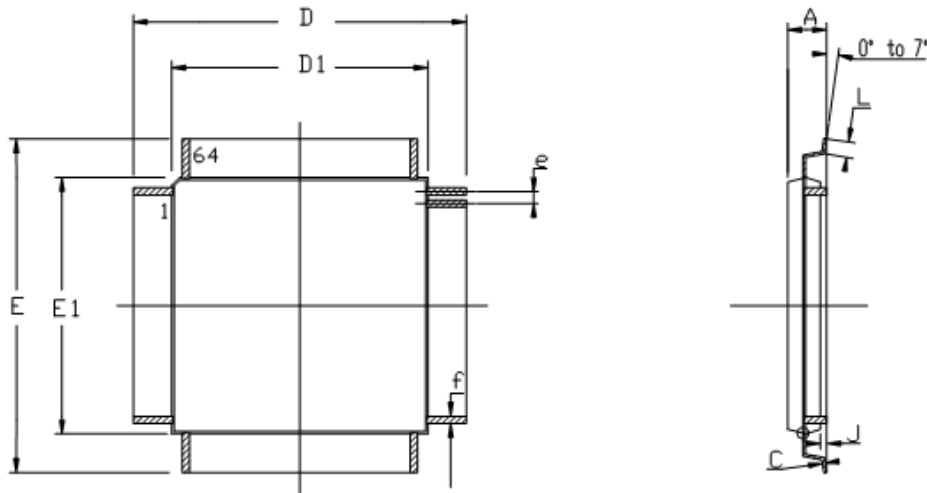
Table 4-9. Package Characteristics

Moisture Sensitivity Level	MSL3
----------------------------	------

Table 4-10. Package Reference

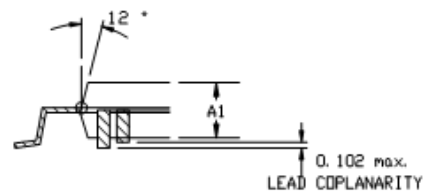
JEDEC Drawing Reference	N/A
JESD97 Classification	E4

Figure 4-4. TQFP-64 Package Drawing



COMMON DIMENSIONS IN MM

SYMBOL	Min	Max	NOTES
A	----	1.20	
A1	0.95	1.05	
C	0.09	0.20	
D	12.00 BSC		
D1	10.00 BSC		
E	12.00 BSC		
E1	10.00 BSC		
J	0.05	0.15	
L	0.45	0.75	
e	0.50 BSC		
f	0.17	0.27	



04/07/2010

Table 4-11. Device and Package Maximum Weight

300	mg
-----	----

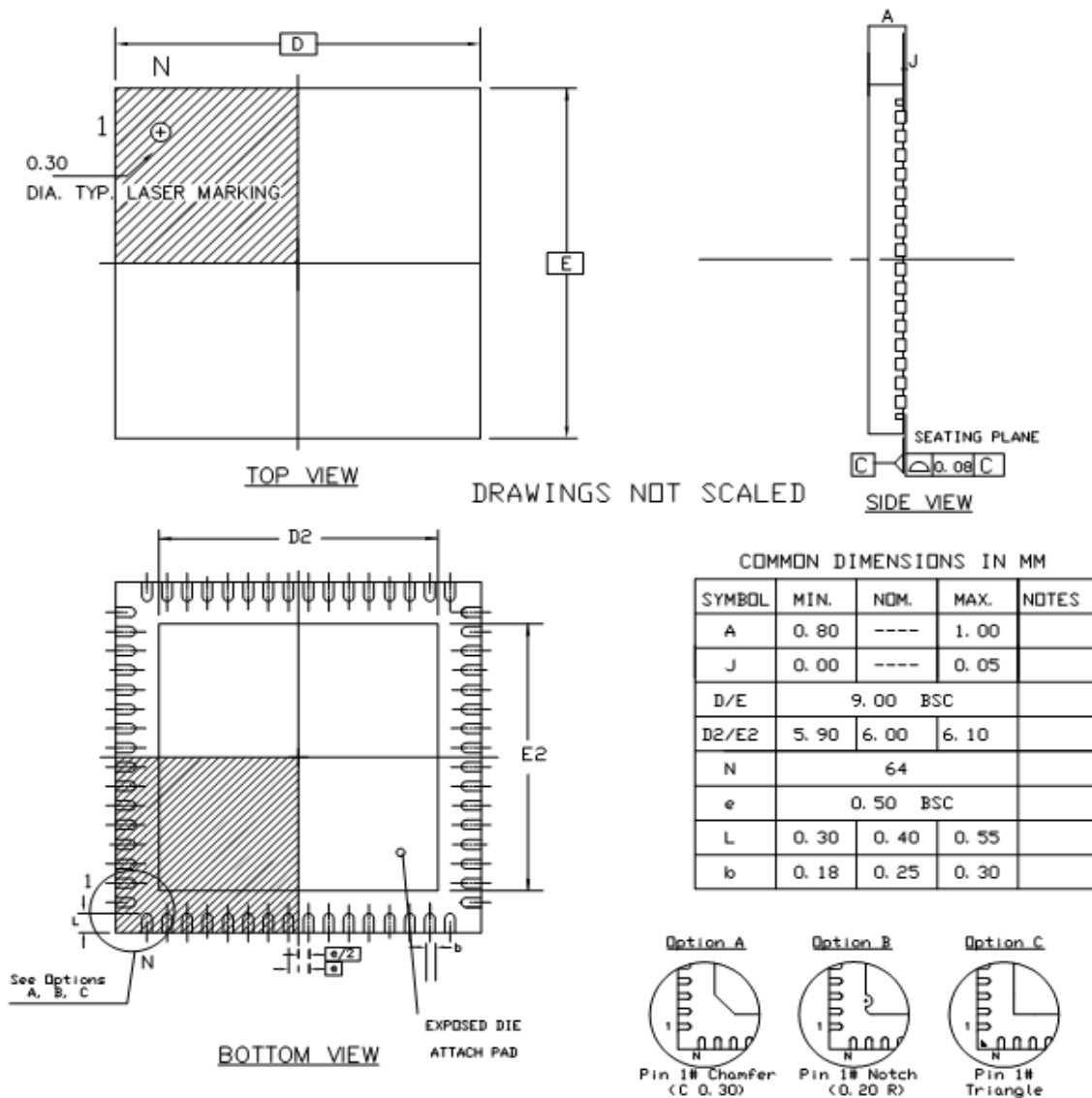
Table 4-12. Package Characteristics

Moisture Sensitivity Level	MSL3
----------------------------	------

Table 4-13. Package Reference

JEDEC Drawing Reference	MS-026
JESD97 Classification	E3

Figure 4-5. QFN-64 Package Drawing



Compliant JEDEC Standard MO-220 variation VMMD-3

28/11/2008

Note: The exposed pad is not connected to anything internally, but should be soldered to ground to increase board level reliability.

Table 4-14. Device and Package Maximum Weight

200	mg
-----	----

Table 4-15. Package Characteristics

Moisture Sensitivity Level	MSL3
----------------------------	------

Table 4-16. Package Reference

JEDEC Drawing Reference	M0-220
JESD97 Classification	E3

4.3 Soldering Profile

Table 4-17 gives the recommended soldering profile from J-STD-20.

Table 4-17. Soldering Profile

Profile Feature	Green Package
Average Ramp-up Rate (217°C to Peak)	3°C/s max
Preheat Temperature 175°C ±25°C	150-200°C
Time Maintained Above 217°C	60-150 s
Time within 5°C of Actual Peak Temperature	30 s
Peak Temperature Range	260°C
Ramp-down Rate	6°C/s max
Time 25°C to Peak Temperature	8 minutes max

A maximum of three reflow passes is allowed per component.

5. Ordering Information

Table 5-1. Ordering Information

Device	Ordering Code	Carrier Type	Package	Package Type	Temperature Operating Range
ATUC256L3U	ATUC256L3U-AUTES	ES	TQFP 64	JESD97 Classification E3	N/A
	ATUC256L3U-AUT	Tray			Industrial (-40°C to 85°C)
	ATUC256L3U-AUR	Tape & Reel			N/A
	ATUC256L3U-Z3UTES	ES	QFN 64		Industrial (-40°C to 85°C)
	ATUC256L3U-Z3UT	Tray			
	ATUC256L3U-Z3UR	Tape & Reel			
ATUC128L3U	ATUC128L3U-AUT	Tray	TQFP 64	JESD97 Classification E3	Industrial (-40°C to 85°C)
	ATUC128L3U-AUR	Tape & Reel	QFN 64		
	ATUC128L3U-Z3UT	Tray			
	ATUC128L3U-Z3UR	Tape & Reel			
ATUC64L3U	ATUC64L3U-AUT	Tray	TQFP 64	JESD97 Classification E3	Industrial (-40°C to 85°C)
	ATUC64L3U-AUR	Tape & Reel	QFN 64		
	ATUC64L3U-Z3UT	Tray			
	ATUC64L3U-Z3UR	Tape & Reel			

Table 5-1. Ordering Information

Device	Ordering Code	Carrier Type	Package	Package Type	Temperature Operating Range
ATUC256L4U	ATUC256L4U-AUTES	ES	TQFP 48	JESD97 Classification E3	N/A
	ATUC256L4U-AUT	Tray			Industrial (-40°C to 85°C)
	ATUC256L4U-AUR	Tape & Reel			
	ATUC256L4U-ZAUTES	ES	QFN 48	JESD97 Classification E3	N/A
	ATUC256L4U-ZAUT	Tray			Industrial (-40°C to 85°C)
	ATUC256L4U-ZAUR	Tape & Reel			
	ATUC256L4U-D3HES	ES	TLLGA 48	JESD97 Classification E4	N/A
	ATUC256L4U-D3HT	Tray			
	ATUC256L4U-D3HR	Tape & Reel			
ATUC128L4U	ATUC128L4U-AUT	Tray	TQFP 48	JESD97 Classification E3	Industrial (-40°C to 85°C)
	ATUC128L4U-AUR	Tape & Reel			
	ATUC128L4U-ZAUT	Tray	QFN 48	JESD97 Classification E3	
	ATUC128L4U-ZAUR	Tape & Reel			
	ATUC128L4U-D3HT	Tray	TLLGA 48	JESD97 Classification E4	
	ATUC128L4U-D3HR	Tape & Reel			
ATUC64L4U	ATUC64L4U-AUT	Tray	TQFP 48	JESD97 Classification E3	Industrial (-40°C to 85°C)
	ATUC64L4U-AUR	Tape & Reel			
	ATUC64L4U-ZAUT	Tray	QFN 48	JESD97 Classification E3	
	ATUC64L4U-ZAUR	Tape & Reel			
	ATUC64L4U-D3HT	Tray	TLLGA 48	JESD97 Classification E4	
	ATUC64L4U-D3HR	Tape & Reel			

6. Errata

6.1 Rev. C

6.1.1 SCIF

1. The RC32K output on PA20 is not always permanently disabled

The RC32K output on PA20 may sometimes re-appear.

Fix/Workaround

Before using RC32K for other purposes, the following procedure has to be followed in order to properly disable it:

- Run the CPU on RCSYS
- Disable the output to PA20 by writing a zero to PM.PPCR.RC32OUT
- Enable RC32K by writing a one to SCIF.RC32KCR.EN, and wait for this bit to be read as one
- Disable RC32K by writing a zero to SCIF.RC32KCR.EN, and wait for this bit to be read as zero.

2. PLLCOUNT value larger than zero can cause PLEN glitch

Initializing the PLLCOUNT with a value greater than zero creates a glitch on the PLEN signal during asynchronous wake up.

Fix/Workaround

The lock-masking mechanism for the PLL should not be used.

The PLLCOUNT field of the PLL Control Register should always be written to zero.

3. Writing 0x5A5A5A5A to the SCIF memory range will enable the SCIF UNLOCK feature

The SCIF UNLOCK feature will be enabled if the value 0x5A5A5A5A is written to any location in the SCIF memory range.

Fix/Workaround

None.

6.1.2 SPI

1. SPI data transfer hangs with CSR0.CSAAT==1 and MR.MODFDIS==0

When CSR0.CSAAT==1 and mode fault detection is enabled (MR.MODFDIS==0), the SPI module will not start a data transfer.

Fix/Workaround

Disable mode fault detection by writing a one to MR.MODFDIS.

2. Disabling SPI has no effect on the SR.TDRE bit

Disabling SPI has no effect on the SR.TDRE bit whereas the write data command is filtered when SPI is disabled. Writing to TDR when SPI is disabled will not clear SR.TDRE. If SPI is disabled during a PDCA transfer, the PDCA will continue to write data to TDR until its buffer is empty, and this data will be lost.

Fix/Workaround

Disable the PDCA, add two NOPs, and disable the SPI. To continue the transfer, enable the SPI and PDCA.

3. SPI disable does not work in SLAVE mode

SPI disable does not work in SLAVE mode.

Fix/Workaround

Read the last received data, then perform a software reset by writing a one to the Software Reset bit in the Control Register (CR.SWRST).

4. **SPI bad serial clock generation on 2nd chip_select when SCBR=1, CPOL=1, and NCPHA=0**
 When multiple chip selects (CS) are in use, if one of the baudrates equal 1 while one (CSRn.SCBR=1) of the others do not equal 1, and CSRn.CPOL=1 and CSRn.NCPHA=0, then an additional pulse will be generated on SCK.
Fix/Workaround
 When multiple CS are in use, if one of the baudrates equals 1, the others must also equal 1 if CSRn.CPOL=1 and CSRn.NCPHA=0.

5. **SPI mode fault detection enable causes incorrect behavior**
 When mode fault detection is enabled (MR.MODFDIS==0), the SPI module may not operate properly.
Fix/Workaround
 Always disable mode fault detection before using the SPI by writing a one to MR.MODFDIS.

6. **SPI RDR.PCS is not correct**
 The PCS (Peripheral Chip Select) field in the SPI RDR (Receive Data Register) does not correctly indicate the value on the NPCS pins at the end of a transfer.
Fix/Workaround
 Do not use the PCS field of the SPI RDR.

6.1.3 TWI

1. **SMBALERT bit may be set after reset**
 The SMBus Alert (SMBALERT) bit in the Status Register (SR) might be erroneously set after system reset.
Fix/Workaround
 After system reset, clear the SR.SMBALERT bit before commencing any TWI transfer.

2. **Clearing the NAK bit before the BTF bit is set locks up the TWI bus**
 When the TWIS is in transmit mode, clearing the NAK Received (NAK) bit of the Status Register (SR) before the end of the Acknowledge/Not Acknowledge cycle will cause the TWIS to attempt to continue transmitting data, thus locking up the bus.
Fix/Workaround
 Clear SR.NAK only after the Byte Transfer Finished (BTF) bit of the same register has been set.

6.1.4 TC

1. **Channel chaining skips first pulse for upper channel**
 When chaining two channels using the Block Mode Register, the first pulse of the clock between the channels is skipped.
Fix/Workaround
 Configure the lower channel with RA = 0x1 and RC = 0x2 to produce a dummy clock cycle for the upper channel. After the dummy cycle has been generated, indicated by the SR.CPCS bit, reconfigure the RA and RC registers for the lower channel with the real values.

6.1.5 CAT

1. **CAT QMatrix sense capacitors discharged prematurely**
 At the end of a QMatrix burst charging sequence that uses different burst count values for different Y lines, the Y lines may be incorrectly grounded for up to n-1 periods of the periph-

eral bus clock, where n is the ratio of the PB clock frequency to the GCLK_CAT frequency. This results in premature loss of charge from the sense capacitors and thus increased variability of the acquired count values.

Fix/Workaround

Enable the 1kOhm drive resistors on all implemented QMatrix Y lines (CSA 1, 3, 5, 7, 9, 11, 13, and/or 15) by writing ones to the corresponding odd bits of the CSARES register.

2. Autonomous CAT acquisition must be longer than AST source clock period

When using the AST to trigger CAT autonomous touch acquisition in sleep modes where the CAT bus clock is turned off, the CAT will start several acquisitions if the period of the AST source clock is larger than one CAT acquisition. One AST clock period after the AST trigger, the CAT clock will automatically stop and the CAT acquisition can be stopped prematurely, ruining the result.

Fix/Workaround

Always ensure that the ATCFG1.max field is set so that the duration of the autonomous touch acquisition is greater than one clock period of the AST source clock.

6.1.6 aWire

1. aWire MEMORY_SPEED_REQUEST command does not return correct CV

The aWire MEMORY_SPEED_REQUEST command does not return a CV corresponding to the formula in the aWire Debug Interface chapter.

Fix/Workaround

Issue a dummy read to address 0x10000000 before issuing the MEMORY_SPEED_REQUEST command and use this formula instead:

$$f_{sab} = \frac{7f_{aw}}{CV-3}$$

6.1.7 Flash

1. Corrupted data in flash may happen after flash page write operations

After a flash page write operation from an external in situ programmer, reading (data read or code fetch) in flash may fail. This may lead to an exception or to others errors derived from this corrupted read access.

Fix/Workaround

Before any flash page write operation, each write in the page buffer must preceded by a write in the page buffer with 0xFFFF_FFFF content at any address in the page.

6.2 Rev. B

6.2.1 SCIF

1. The RC32K output on PA20 is not always permanently disabled

The RC32K output on PA20 may sometimes re-appear.

Fix/Workaround

Before using RC32K for other purposes, the following procedure has to be followed in order to properly disable it:

- Run the CPU on RCSYS
- Disable the output to PA20 by writing a zero to PM.PPCR.RC32OUT
- Enable RC32K by writing a one to SCIF.RC32KCR.EN, and wait for this bit to be read as one

- Disable RC32K by writing a zero to SCIF.RC32KCR.EN, and wait for this bit to be read as zero.

2. PLLCOUNT value larger than zero can cause PLEN glitch

Initializing the PLLCOUNT with a value greater than zero creates a glitch on the PLEN signal during asynchronous wake up.

Fix/Workaround

The lock-masking mechanism for the PLL should not be used.

The PLLCOUNT field of the PLL Control Register should always be written to zero.

3. Writing 0x5A5A5A5A to the SCIF memory range will enable the SCIF UNLOCK feature

The SCIF UNLOCK feature will be enabled if the value 0x5A5A5A5A is written to any location in the SCIF memory range.

Fix/Workaround

None.

6.2.2 WDT

1. WDT Control Register does not have synchronization feedback

When writing to the Timeout Prescale Select (PSEL), Time Ban Prescale Select (TBAN), Enable (EN), or WDT Mode (MODE) fields of the WDT Control Register (CTRL), a synchronizer is started to propagate the values to the WDT clock domain. This synchronization takes a finite amount of time, but only the status of the synchronization of the EN bit is reflected back to the user. Writing to the synchronized fields during synchronization can lead to undefined behavior.

Fix/Workaround

-When writing to the affected fields, the user must ensure a wait corresponding to 2 clock cycles of both the WDT peripheral bus clock and the selected WDT clock source.

-When doing writes that changes the EN bit, the EN bit can be read back until it reflects the written value.

6.2.3 SPI

1. SPI data transfer hangs with CSR0.CSAAT==1 and MR.MODFDIS==0

When CSR0.CSAAT==1 and mode fault detection is enabled (MR.MODFDIS==0), the SPI module will not start a data transfer.

Fix/Workaround

Disable mode fault detection by writing a one to MR.MODFDIS.

2. Disabling SPI has no effect on the SR.TDRE bit

Disabling SPI has no effect on the SR.TDRE bit whereas the write data command is filtered when SPI is disabled. Writing to TDR when SPI is disabled will not clear SR.TDRE. If SPI is disabled during a PDCA transfer, the PDCA will continue to write data to TDR until its buffer is empty, and this data will be lost.

Fix/Workaround

Disable the PDCA, add two NOPs, and disable the SPI. To continue the transfer, enable the SPI and PDCA.

3. SPI disable does not work in SLAVE mode

SPI disable does not work in SLAVE mode.

Fix/Workaround

Read the last received data, then perform a software reset by writing a one to the Software Reset bit in the Control Register (CR.SWRST).

4. **SPI bad serial clock generation on 2nd chip_select when SCBR=1, CPOL=1, and NCPHA=0**
 When multiple chip selects (CS) are in use, if one of the baudrates equal 1 while one (CSRn.SCBR=1) of the others do not equal 1, and CSRn.CPOL=1 and CSRn.NCPHA=0, then an additional pulse will be generated on SCK.
Fix/Workaround
 When multiple CS are in use, if one of the baudrates equals 1, the others must also equal 1 if CSRn.CPOL=1 and CSRn.NCPHA=0.

5. **SPI mode fault detection enable causes incorrect behavior**
 When mode fault detection is enabled (MR.MODFDIS==0), the SPI module may not operate properly.
Fix/Workaround
 Always disable mode fault detection before using the SPI by writing a one to MR.MODFDIS.

6. **SPI RDR.PCS is not correct**
 The PCS (Peripheral Chip Select) field in the SPI RDR (Receive Data Register) does not correctly indicate the value on the NPCS pins at the end of a transfer.
Fix/Workaround
 Do not use the PCS field of the SPI RDR.

6.2.4 TWI

1. **TWIS may not wake the device from sleep mode**
 If the CPU is put to a sleep mode (except Idle and Frozen) directly after a TWI Start condition, the CPU may not wake upon a TWIS address match. The request is NACKed.
Fix/Workaround
 When using the TWI address match to wake the device from sleep, do not switch to sleep modes deeper than Frozen. Another solution is to enable asynchronous EIC wake on the TWIS clock (TWCK) or TWIS data (TWD) pins, in order to wake the system up on bus events.

2. **SMBALERT bit may be set after reset**
 The SMBus Alert (SMBALERT) bit in the Status Register (SR) might be erroneously set after system reset.
Fix/Workaround
 After system reset, clear the SR.SMBALERT bit before commencing any TWI transfer.

3. **Clearing the NAK bit before the BTF bit is set locks up the TWI bus**
 When the TWIS is in transmit mode, clearing the NAK Received (NAK) bit of the Status Register (SR) before the end of the Acknowledge/Not Acknowledge cycle will cause the TWIS to attempt to continue transmitting data, thus locking up the bus.
Fix/Workaround
 Clear SR.NAK only after the Byte Transfer Finished (BTF) bit of the same register has been set.

6.2.5 PWMA

1. **The SR.READY bit cannot be cleared by writing to SCR.READY**
 The Ready bit in the Status Register will not be cleared when writing a one to the corresponding bit in the Status Clear register. The Ready bit will be cleared when the Busy bit is set.
Fix/Workaround

Disable the Ready interrupt in the interrupt handler when receiving the interrupt. When an operation that triggers the Busy/Ready bit is started, wait until the ready bit is low in the Status Register before enabling the interrupt.

6.2.6 TC

1. Channel chaining skips first pulse for upper channel

When chaining two channels using the Block Mode Register, the first pulse of the clock between the channels is skipped.

Fix/Workaround

Configure the lower channel with RA = 0x1 and RC = 0x2 to produce a dummy clock cycle for the upper channel. After the dummy cycle has been generated, indicated by the SR.CPCS bit, reconfigure the RA and RC registers for the lower channel with the real values.

6.2.7 CAT

1. CAT QMatrix sense capacitors discharged prematurely

At the end of a QMatrix burst charging sequence that uses different burst count values for different Y lines, the Y lines may be incorrectly grounded for up to n-1 periods of the peripheral bus clock, where n is the ratio of the PB clock frequency to the GCLK_CAT frequency. This results in premature loss of charge from the sense capacitors and thus increased variability of the acquired count values.

Fix/Workaround

Enable the 1kOhm drive resistors on all implemented QMatrix Y lines (CSA 1, 3, 5, 7, 9, 11, 13, and/or 15) by writing ones to the corresponding odd bits of the CSARES register.

2. Autonomous CAT acquisition must be longer than AST source clock period

When using the AST to trigger CAT autonomous touch acquisition in sleep modes where the CAT bus clock is turned off, the CAT will start several acquisitions if the period of the AST source clock is larger than one CAT acquisition. One AST clock period after the AST trigger, the CAT clock will automatically stop and the CAT acquisition can be stopped prematurely, ruining the result.

Fix/Workaround

Always ensure that the ATCFG1.max field is set so that the duration of the autonomous touch acquisition is greater than one clock period of the AST source clock.

3. CAT consumes unnecessary power when disabled or when autonomous touch not used

A CAT prescaler controlled by the ATCFG0.DIV field will be active even when the CAT module is disabled or when the autonomous touch feature is not used, thereby causing unnecessary power consumption.

Fix/Workaround

If the CAT module is not used, disable the CLK_CAT clock in the PM module. If the CAT module is used but the autonomous touch feature is not used, the power consumption of the CAT module may be reduced by writing 0xFFFF to the ATCFG0.DIV field.

6.2.8 aWire

1. aWire MEMORY_SPEED_REQUEST command does not return correct CV

The aWire MEMORY_SPEED_REQUEST command does not return a CV corresponding to the formula in the aWire Debug Interface chapter.

Fix/Workaround

Issue a dummy read to address 0x10000000 before issuing the MEMORY_SPEED_REQUEST command and use this formula instead:

$$f_{sab} = \frac{7f_{aw}}{CV-3}$$

6.2.9 Flash

1. Corrupted data in flash may happen after flash page write operations

After a flash page write operation from an external in situ programmer, reading (data read or code fetch) in flash may fail. This may lead to an exception or to others errors derived from this corrupted read access.

Fix/Workaround

Before any flash page write operation, each write in the page buffer must preceded by a write in the page buffer with 0xFFFF_FFFF content at any address in the page.

6.3 Rev. A

6.3.1 Device

1. JTAGID is wrong

The JTAGID reads 0x021DF03F for all devices.

Fix/Workaround

None.

6.3.2 FLASHCDW

1. General-purpose fuse programming does not work

The general-purpose fuses cannot be programmed and are stuck at 1. Please refer to the Fuse Settings chapter in the FLASHCDW for more information about what functions are affected.

Fix/Workaround

None.

2. Set Security Bit command does not work

The Set Security Bit (SSB) command of the FLASHCDW does not work. The device cannot be locked from external JTAG, aWire, or other debug accesses.

Fix/Workaround

None.

3. Flash programming time is longer than specified

The flash programming time is now:

Table 6-1. Flash Characteristics

Symbol	Parameter	Conditions	Min	Typ	Max	Unit
T_{FPP}	Page programming time	$f_{\text{CLK_HSB}} = 50\text{MHz}$		7.5		ms
T_{FPE}	Page erase time			7.5		
T_{FFP}	Fuse programming time			1		
T_{FEA}	Full chip erase time (EA)			9		
T_{FCE}	JTAG chip erase time (CHIP_ERASE)	$f_{\text{CLK_HSB}} = 115\text{kHz}$		250		

Fix/Workaround

None.

4. Power Manager

5. Clock Failure Detector (CFD) can be issued while turning off the CFD

While turning off the CFD, the CFD bit in the Status Register (SR) can be set. This will change the main clock source to RCSYS.

Fix/Workaround

Solution 1: Enable CFD interrupt. If CFD interrupt is issues after turning off the CFD, switch back to original main clock source.

Solution 2: Only turn off the CFD while running the main clock on RCSYS.

6. Sleepwalking in idle and frozen sleep mode will mask all other PB clocks

If the CPU is in idle or frozen sleep mode and a module is in a state that triggers sleep walking, all PB clocks will be masked except the PB clock to the sleepwalking module.

Fix/Workaround

Mask all clock requests in the PM.PPCR register before going into idle or frozen mode.

2. Unused PB clocks are running

Three unused PBA clocks are enabled by default and will cause increased active power consumption.

Fix/Workaround

Disable the clocks by writing zeroes to bits [27:25] in the PBA clock mask register.

6.3.3 SCIF

1. The RC32K output on PA20 is not always permanently disabled

The RC32K output on PA20 may sometimes re-appear.

Fix/Workaround

Before using RC32K for other purposes, the following procedure has to be followed in order to properly disable it:

- Run the CPU on RCSYS
- Disable the output to PA20 by writing a zero to PM.PPCR.RC32OUT
- Enable RC32K by writing a one to SCIF.RC32KCR.EN, and wait for this bit to be read as one
- Disable RC32K by writing a zero to SCIF.RC32KCR.EN, and wait for this bit to be read as zero.

2. PLL lock might not clear after disable

Under certain circumstances, the lock signal from the Phase Locked Loop (PLL) oscillator may not go back to zero after the PLL oscillator has been disabled. This can cause the propagation of clock signals with the wrong frequency to parts of the system that use the PLL clock.

Fix/Workaround

PLL must be turned off before entering STOP, DEEPSTOP or STATIC sleep modes. If PLL has been turned off, a delay of 30us must be observed after the PLL has been enabled again before the SCIF.PLL0LOCK bit can be used as a valid indication that the PLL is locked.

3. PLLCOUNT value larger than zero can cause PLEN glitch

Initializing the PLLCOUNT with a value greater than zero creates a glitch on the PLEN signal during asynchronous wake up.

Fix/Workaround

The lock-masking mechanism for the PLL should not be used.

The PLLCOUNT field of the PLL Control Register should always be written to zero.

4. RCSYS is not calibrated

The RCSYS is not calibrated and will run faster than 115.2kHz. Frequencies around 150kHz can be expected.

Fix/Workaround

If a known clock source is available the RCSYS can be runtime calibrated by using the frequency meter (FREQM) and tuning the RCSYS by writing to the RCCR register in SCIF.

5. Writing 0x5A5A5A5A to the SCIF memory range will enable the SCIF UNLOCK feature

The SCIF UNLOCK feature will be enabled if the value 0x5A5A5A5A is written to any location in the SCIF memory range.

Fix/Workaround

None.

6.3.4 WDT

1. Clearing the Watchdog Timer (WDT) counter in second half of timeout period will issue a Watchdog reset

If the WDT counter is cleared in the second half of the timeout period, the WDT will immediately issue a Watchdog reset.

Fix/Workaround

Use twice as long timeout period as needed and clear the WDT counter within the first half of the timeout period. If the WDT counter is cleared after the first half of the timeout period, you will get a Watchdog reset immediately. If the WDT counter is not cleared at all, the time before the reset will be twice as long as needed.

2. WDT Control Register does not have synchronization feedback

When writing to the Timeout Prescale Select (PSEL), Time Ban Prescale Select (TBAN), Enable (EN), or WDT Mode (MODE) fields of the WDT Control Register (CTRL), a synchronizer is started to propagate the values to the WDT clock domain. This synchronization takes a finite amount of time, but only the status of the synchronization of the EN bit is reflected back to the user. Writing to the synchronized fields during synchronization can lead to undefined behavior.

Fix/Workaround

-When writing to the affected fields, the user must ensure a wait corresponding to 2 clock cycles of both the WDT peripheral bus clock and the selected WDT clock source.

-When doing writes that changes the EN bit, the EN bit can be read back until it reflects the written value.

6.3.5 GPIO

1. **Clearing Interrupt flags can mask other interrupts**

When clearing interrupt flags in a GPIO port, interrupts on other pins of that port, happening in the same clock cycle will not be registered.

Fix/Workaround

Read the PVR register of the port before and after clearing the interrupt to see if any pin change has happened while clearing the interrupt. If any change occurred in the PVR between the reads, they must be treated as an interrupt.

6.3.6 SPI

1. **SPI data transfer hangs with CSR0.CSAAT==1 and MR.MODFDIS==0**

When CSR0.CSAAT==1 and mode fault detection is enabled (MR.MODFDIS==0), the SPI module will not start a data transfer.

Fix/Workaround

Disable mode fault detection by writing a one to MR.MODFDIS.

2. **Disabling SPI has no effect on the SR.TDRE bit**

Disabling SPI has no effect on the SR.TDRE bit whereas the write data command is filtered when SPI is disabled. Writing to TDR when SPI is disabled will not clear SR.TDRE. If SPI is disabled during a PDCA transfer, the PDCA will continue to write data to TDR until its buffer is empty, and this data will be lost.

Fix/Workaround

Disable the PDCA, add two NOPs, and disable the SPI. To continue the transfer, enable the SPI and PDCA.

3. **SPI disable does not work in SLAVE mode**

SPI disable does not work in SLAVE mode.

Fix/Workaround

Read the last received data, then perform a software reset by writing a one to the Software Reset bit in the Control Register (CR.SWRST).

4. **SPI bad serial clock generation on 2nd chip_select when SCBR=1, CPOL=1, and NCPHA=0**

When multiple chip selects (CS) are in use, if one of the baudrates equal 1 while one (CSRn.SCBR=1) of the others do not equal 1, and CSRn.CPOL=1 and CSRn.NCPHA=0, then an additional pulse will be generated on SCK.

Fix/Workaround

When multiple CS are in use, if one of the baudrates equals 1, the others must also equal 1 if CSRn.CPOL=1 and CSRn.NCPHA=0.

5. **SPI mode fault detection enable causes incorrect behavior**

When mode fault detection is enabled (MR.MODFDIS==0), the SPI module may not operate properly.

Fix/Workaround

Always disable mode fault detection before using the SPI by writing a one to MR.MODFDIS.

6. **SPI RDR.PCS is not correct**

The PCS (Peripheral Chip Select) field in the SPI RDR (Receive Data Register) does not correctly indicate the value on the NPCS pins at the end of a transfer.

Fix/Workaround

Do not use the PCS field of the SPI RDR.

6.3.7 TWI

1. TWIS may not wake the device from sleep mode

If the CPU is put to a sleep mode (except Idle and Frozen) directly after a TWI Start condition, the CPU may not wake upon a TWIS address match. The request is NACKed.

Fix/Workaround

When using the TWI address match to wake the device from sleep, do not switch to sleep modes deeper than Frozen. Another solution is to enable asynchronous EIC wake on the TWIS clock (TWCK) or TWIS data (TWD) pins, in order to wake the system up on bus events.

2. SMBALERT bit may be set after reset

The SMBus Alert (SMBALERT) bit in the Status Register (SR) might be erroneously set after system reset.

Fix/Workaround

After system reset, clear the SR.SMBALERT bit before commencing any TWI transfer.

3. Clearing the NAK bit before the BTF bit is set locks up the TWI bus

When the TWIS is in transmit mode, clearing the NAK Received (NAK) bit of the Status Register (SR) before the end of the Acknowledge/Not Acknowledge cycle will cause the TWIS to attempt to continue transmitting data, thus locking up the bus.

Fix/Workaround

Clear SR.NAK only after the Byte Transfer Finished (BTF) bit of the same register has been set.

4. TWIS stretch on Address match error

When the TWIS stretches TWCK due to a slave address match, it also holds TWD low for the same duration if it is to be receiving data. When TWIS releases TWCK, it releases TWD at the same time. This can cause a TWI timing violation.

Fix/Workaround

None.

5. TWIM TWALM polarity is wrong

The TWALM signal in the TWIM is active high instead of active low.

Fix/Workaround

Use an external inverter to invert the signal going into the TWIM. When using both TWIM and TWIS on the same pins, the TWALM cannot be used.

6.3.8 PWMA

1. The SR.READY bit cannot be cleared by writing to SCR.READY

The Ready bit in the Status Register will not be cleared when writing a one to the corresponding bit in the Status Clear register. The Ready bit will be cleared when the Busy bit is set.

Fix/Workaround

Disable the Ready interrupt in the interrupt handler when receiving the interrupt. When an operation that triggers the Busy/Ready bit is started, wait until the ready bit is low in the Status Register before enabling the interrupt.

6.3.9 TC

1. Channel chaining skips first pulse for upper channel

When chaining two channels using the Block Mode Register, the first pulse of the clock between the channels is skipped.

Fix/Workaround

Configure the lower channel with RA = 0x1 and RC = 0x2 to produce a dummy clock cycle for the upper channel. After the dummy cycle has been generated, indicated by the SR.CPCS bit, reconfigure the RA and RC registers for the lower channel with the real values.

6.3.10 ADCIFB

1. ADCIFB DMA transfer does not work with divided PBA clock

DMA requests from the ADCIFB will not be performed when the PBA clock is slower than the HSB clock.

Fix/Workaround

Do not use divided PBA clock when the PDCA transfers from the ADCIFB.

6.3.11 CAT

1. CAT QMatrix sense capacitors discharged prematurely

At the end of a QMatrix burst charging sequence that uses different burst count values for different Y lines, the Y lines may be incorrectly grounded for up to n-1 periods of the peripheral bus clock, where n is the ratio of the PB clock frequency to the GCLK_CAT frequency. This results in premature loss of charge from the sense capacitors and thus increased variability of the acquired count values.

Fix/Workaround

Enable the 1kOhm drive resistors on all implemented QMatrix Y lines (CSA 1, 3, 5, 7, 9, 11, 13, and/or 15) by writing ones to the corresponding odd bits of the CSARES register.

2. Autonomous CAT acquisition must be longer than AST source clock period

When using the AST to trigger CAT autonomous touch acquisition in sleep modes where the CAT bus clock is turned off, the CAT will start several acquisitions if the period of the AST source clock is larger than one CAT acquisition. One AST clock period after the AST trigger, the CAT clock will automatically stop and the CAT acquisition can be stopped prematurely, ruining the result.

Fix/Workaround

Always ensure that the ATCFG1.max field is set so that the duration of the autonomous touch acquisition is greater than one clock period of the AST source clock.

3. CAT consumes unnecessary power when disabled or when autonomous touch not used

A CAT prescaler controlled by the ATCFG0.DIV field will be active even when the CAT module is disabled or when the autonomous touch feature is not used, thereby causing unnecessary power consumption.

Fix/Workaround

If the CAT module is not used, disable the CLK_CAT clock in the PM module. If the CAT module is used but the autonomous touch feature is not used, the power consumption of the CAT module may be reduced by writing 0xFFFF to the ATCFG0.DIV field.

4. CAT module does not terminate QTouch burst on detect

The CAT module does not terminate a QTouch burst when the detection voltage is reached on the sense capacitor. This can cause the sense capacitor to be charged more than necessary. Depending on the dielectric absorption characteristics of the capacitor, this can lead to unstable measurements.

Fix/Workaround

Use the minimum possible value for the MAX field in the ATCFG1, TG0CFG1, and TG1CFG1 registers.

6.3.12 aWire

1. **aWire MEMORY_SPEED_REQUEST command does not return correct CV**

The aWire MEMORY_SPEED_REQUEST command does not return a CV corresponding to the formula in the aWire Debug Interface chapter.

Fix/Workaround

Issue a dummy read to address 0x10000000 before issuing the MEMORY_SPEED_REQUEST command and use this formula instead:

$$f_{sab} = \frac{7f_{aw}}{CV-3}$$

6.3.13 Flash

1. **Corrupted data in flash may happen after flash page write operations**

After a flash page write operation from an external in situ programmer, reading (data read or code fetch) in flash may fail. This may lead to an exception or to others errors derived from this corrupted read access.

Fix/Workaround

Before any flash page write operation, each write in the page buffer must preceded by a write in the page buffer with 0xFFFF_FFFF content at any address in the page.

6.3.14 I/O Pins

1. **PA05 is not 3.3V tolerant.**

PA05 should be grounded on the PCB and left unused if VDDIO is above 1.8V.

Fix/Workaround

None.

2. **No pull-up on pins that are not bonded**

PB13 to PB27 are not bonded on UC3L0256/128, but has no pull-up and can cause current consumption on VDDIO/VDDIN if left undriven.

Fix/Workaround

Enable pull-ups on PB13 to PB27 by writing 0x0FFFE000 to the PUERS1 register in the GPIO.

3. **PA17 has low ESD tolerance**

PA17 only tolerates 500V ESD pulses (Human Body Model).

Fix/Workaround

Care must be taken during manufacturing and PCB design.

7. Datasheet Revision History

Please note that the referring page numbers in this section are referred to this document. The referring revision in this section are referring to the document revision.

7.1 Rev. D – 06/2013

1. Updated the datasheet with a new ATmel blue logo and the last page.
2. Added Flash errata.

7.2 Rev. C – 01/2012

1. Description: DFLL frequency is 20 to 150MHz, not 40 to 150MHz.
2. Block Diagram: GCLK_IN is input, not output. CAT SMP corrected from I/O to output. SPI NPCS corrected from output to I/O.
3. Package and Pinout: EXTINT0 in Signal Descriptions table is NMI.
4. Supply and Startup Considerations: In 1.8V single supply mode figure, the input voltage is 1.62-1.98V, not 1.98-3.6V. "On system start-up, the DFLL is disabled" is replaced by "On system start-up, all high-speed clocks are disabled".
5. ADCIFB: PRND signal removed from block diagram.
6. Electrical Characteristics: Added 64-pin package information to I/O Pin Characteristics tables and Digital Clock Characteristics table.
7. Mechanical Characteristics: QFN48 Package Drawing updated. Note that the package drawing for QFN48 is correct in datasheet rev A, but wrong in rev B. Added notes to package drawings.
8. Summary: Removed Programming and Debugging chapter, added Processor and Architecture chapter.

7.3 Rev. B – 12/2011

1. JTAG Data Registers subchapter added in the Programming and Debugging chapter, containing JTAG IDs.

7.4 Rev. A – 12/2011

1. Initial revision.

Table of Contents

Features 1

1 Description 3

2 Overview 5

 2.1 Block Diagram5

 2.2 Configuration Summary6

3 Package and Pinout 7

 3.1 Package7

 3.2 See [Section 3.3](#) for a description of the various peripheral signals. 12

 3.3 Signal Descriptions 15

 3.4 I/O Line Considerations 18

4 Mechanical Characteristics 21

 4.1 Thermal Considerations21

 4.2 Package Drawings22

 4.3 Soldering Profile27

5 Ordering Information 28

6 Errata 30

 6.1 Rev. C30

 6.2 Rev. B32

 6.3 Rev. A36

7 Datasheet Revision History 43

 7.1 Rev. D – 06/2013 43

 7.2 Rev. C – 01/2012 43

 7.3 Rev. B – 12/2011 43

 7.4 Rev. A – 12/2011 43

Table of Contents..... i



Enabling Unlimited Possibilities®

Atmel Corporation

1600 Technology Drive

San Jose, CA 95110

USA

Tel: (+1) (408) 441-0311

Fax: (+1) (408) 487-2600

www.atmel.com

Atmel Asia Limited

Unit 01-5 & 16, 19F

BEA Tower, Millennium City 5

418 Kwun Tong Roa

Kwun Tong, Kowloon

HONG KONG

Tel: (+852) 2245-6100

Fax: (+852) 2722-1369

Atmel Munich GmbH

Business Campus

Parkring 4

D-85748 Garching b. Munich

GERMANY

Tel: (+49) 89-31970-0

Fax: (+49) 89-3194621

Atmel Japan G.K.

16F Shin-Osaki Kangyo Bldg

1-6-4 Osaki, Shinagawa-ku

Tokyo 141-0032

JAPAN

Tel: (+81) (3) 6417-0300

Fax: (+81) (3) 6417-0370

© 2013 Atmel Corporation. All rights reserved. / Rev.: 32142DS-AVR32-06/2013

Atmel®, logo and combinations thereof, AVR®, picoPower®, QTouch®, AKS® and others are registered trademarks or trademarks of Atmel Corporation or its subsidiaries. Other terms and product names may be trademarks of others.

Disclaimer: The information in this document is provided in connection with Atmel products. No license, express or implied, by estoppel or otherwise, to any intellectual property right is granted by this document or in connection with the sale of Atmel products. EXCEPT AS SET FORTH IN THE ATMEL TERMS AND CONDITIONS OF SALES LOCATED ON THE ATMEL WEBSITE, ATMEL ASSUMES NO LIABILITY WHATSOEVER AND DISCLAIMS ANY EXPRESS, IMPLIED OR STATUTORY WARRANTY RELATING TO ITS PRODUCTS INCLUDING, BUT NOT LIMITED TO, THE IMPLIED WARRANTY OF MERCHANTABILITY, FITNESS FOR A PARTICULAR PURPOSE, OR NON-INFRINGEMENT. IN NO EVENT SHALL ATMEL BE LIABLE FOR ANY DIRECT, INDIRECT, CONSEQUENTIAL, PUNITIVE, SPECIAL OR INCIDENTAL DAMAGES (INCLUDING, WITHOUT LIMITATION, DAMAGES FOR LOSS AND PROFITS, BUSINESS INTERRUPTION, OR LOSS OF INFORMATION) ARISING OUT OF THE USE OR INABILITY TO USE THIS DOCUMENT, EVEN IF ATMEL HAS BEEN ADVISED OF THE POSSIBILITY OF SUCH DAMAGES. Atmel makes no representations or warranties with respect to the accuracy or completeness of the contents of this document and reserves the right to make changes to specifications and products descriptions at any time without notice. Atmel does not make any commitment to update the information contained herein. Unless specifically provided otherwise, Atmel products are not suitable for, and shall not be used in, automotive applications. Atmel products are not intended, authorized, or warranted for use as components in applications intended to support or sustain life.

Looking for pricing, stock, or lifecycle information?

Click below to explore more details on WIN SOURCE:

 [View ATUC256L3U-Z3UR on WIN SOURCE](#)

 [Atmel Information](#)

Optimize Your Supply Chain with WIN SOURCE Solutions

-  Global Sourcing Solution
-  Obsolete Management
-  Cost Control Management
-  Shortage Management
-  Alternative Solution
-  Excess Inventory Management