



**THE DATASHEET OF  
LMV431IZ/NOPB**



## LMV431x Low-Voltage (1.24-V) Adjustable Precision Shunt Regulators

### 1 Features

- Low-Voltage Operation/Wide Adjust Range (1.24 V/30 V)
- 0.5% Initial Tolerance (LMV431B)
- Temperature Compensated for Industrial Temperature Range (39 PPM/°C for the LMV431A)
- Low Operation Current (55  $\mu$ A)
- Low Output Impedance (0.25  $\Omega$ )
- Fast Turn-On Response
- Low Cost

### 2 Applications

- Shunt Regulator
- Series Regulator
- Current Source or Sink
- Voltage Monitor
- Error Amplifier
- 3-V Off-Line Switching Regulator
- Low Dropout N-Channel Series Regulator

### 3 Description

The LMV431, LMV431A and LMV431B are precision 1.24 V shunt regulators capable of adjustment to 30 V. Negative feedback from the cathode to the adjust pin controls the cathode voltage, much like a non-inverting op amp configuration (Refer to [Symbol and Functional Diagrams](#)). A two-resistor voltage divider terminated at the adjust pin controls the gain of a 1.24 V band-gap reference. Shorting the cathode to the adjust pin (voltage follower) provides a cathode voltage of a 1.24 V.

The LMV431, LMV431A and LMV431B have respective initial tolerances of 1.5%, 1%, and 0.5%, and functionally lend themselves to several applications that require zener diode type performance at low voltages. Applications include a 3 V to 2.7 V low drop-out regulator, an error amplifier in a 3 V off-line switching regulator and even as a voltage detector. These parts are typically stable with capacitive loads greater than 10 nF and less than 50 pF.

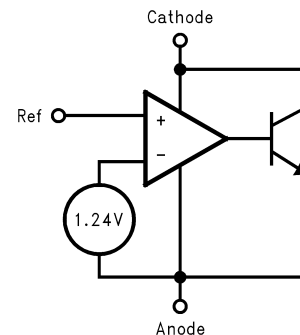
The LMV431, LMV431A and LMV431B provide performance at a competitive price.

#### Device Information<sup>(1)</sup>

PART NUMBER	PACKAGE	BODY SIZE (NOM)
LMV431	SOT-23 (5)	2.90 mm x 1.60 mm
LMV431	TO-92 (3)	4.30 mm x 4.30 mm
LMV431	SOT-23 (3)	2.92 mm x 1.30 mm

(1) For all available packages, see the orderable addendum at the end of the datasheet.

### 4 Symbol and Functional Diagrams



## Table of Contents

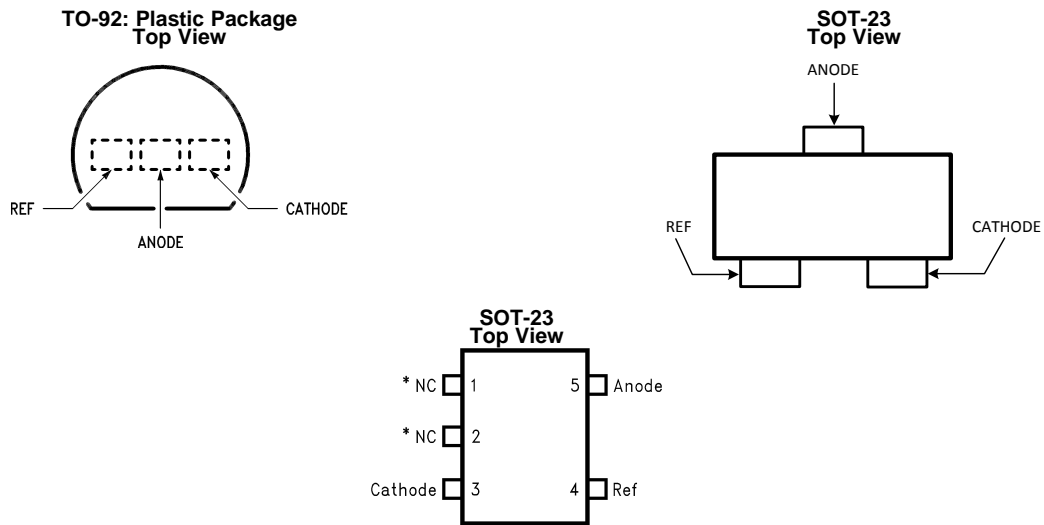
<b>1 Features</b> .....	<b>1</b>	7.9 LMV431BC Electrical Characteristics .....	<b>9</b>
<b>2 Applications</b> .....	<b>1</b>	7.10 LMV431BI Electrical Characteristics .....	<b>10</b>
<b>3 Description</b> .....	<b>1</b>	7.11 Typical Performance Characteristics .....	<b>11</b>
<b>4 Symbol and Functional Diagrams</b> .....	<b>1</b>	<b>8 Detailed Description</b> .....	<b>15</b>
<b>5 Revision History</b> .....	<b>2</b>	8.1 Functional Block Diagram .....	<b>15</b>
<b>6 Pin Configurations and Functions</b> .....	<b>3</b>	<b>9 Application and Implementation</b> .....	<b>16</b>
<b>7 Specifications</b> .....	<b>4</b>	9.1 Typical Application .....	<b>16</b>
7.1 Absolute Maximum Ratings .....	<b>4</b>	9.2 DC/AC Test Circuit .....	<b>18</b>
7.2 Handling Ratings .....	<b>4</b>	<b>10 Device and Documentation Support</b> .....	<b>18</b>
7.3 Recommended Operating Conditions .....	<b>4</b>	10.1 Documentation Support .....	<b>18</b>
7.4 Thermal Information .....	<b>4</b>	10.2 Trademarks .....	<b>18</b>
7.5 LMV431C Electrical Characteristics .....	<b>5</b>	10.3 Electrostatic Discharge Caution .....	<b>18</b>
7.6 LMV431I Electrical Characteristics .....	<b>6</b>	10.4 Glossary .....	<b>19</b>
7.7 LMV431AC Electrical Characteristics .....	<b>7</b>	<b>11 Mechanical, Packaging, and Orderable Information</b> .....	<b>19</b>
7.8 LMV431AI Electrical Characteristics .....	<b>8</b>		

## 5 Revision History

NOTE: Page numbers for previous revisions may differ from page numbers in the current version.

<b>Changes from Revision F (May 2005) to Revision G</b>	<b>Page</b>
<ul style="list-style-type: none"> <li>Changed formatting to match new TI datasheet guidelines; added Device Information and Handling Ratings tables, Layout, and Device and Documentation Support sections; reformatted Detailed Description and Application and Implementation sections. ....</li> </ul>	<b>1</b>
<ul style="list-style-type: none"> <li>Added spec .....</li> </ul>	<b>4</b>

## 6 Pin Configurations and Functions



\*Pin 1 is not internally connected.

\*Pin 2 is internally connected to Anode pin. Pin 2 should be either floating or connected to Anode pin.

## 7 Specifications

### 7.1 Absolute Maximum Ratings

 over operating free-air temperature range (unless otherwise noted) <sup>(1)</sup>

		MIN	MAX	UNIT
Operating temperature	Industrial (LMV431AI, LMV431I)	-40	85	°C
	Commercial (LMV431AC, LMV431C, LMV431BC)	0	70	
Lead temperature	TO-92 Package/SOT-23 -5,-3 Package (Soldering, 10 sec.)		265	
Internal power dissipation <sup>(2)</sup>	TO-92		0.78	W
	SOT-23-5, -3 Package		0.28	W
Cathode voltage			35	V
Continuous cathode current		-30	30	mA
Reference input current		-0.05	3	

- (1) Stresses beyond those listed under *Absolute Maximum Ratings* may cause permanent damage to the device. These are stress ratings only, which do not imply functional operation of the device at these or any other conditions beyond those indicated under *Recommended Operating Conditions*. Exposure to absolute-maximum-rated conditions for extended periods may affect device reliability.
- (2) Ratings apply to ambient temperature at 25°C. Above this temperature, derate the TO-92 at 6.2 mW/°C, and the SOT-23-5 at 2.2 mW/°C. See derating curve in [Operating Condition](#) section.

### 7.2 Handling Ratings

			MIN	MAX	UNIT
T <sub>stg</sub>	Storage temperature range		-65	150	°C
V <sub>(ESD)</sub>	Electrostatic discharge	Human body model (HBM), per ANSI/ESDA/JEDEC JS-001, all pins <sup>(1)</sup>		2000	V

- (1) The human body model is a 100 pF capacitor discharged through a 1.5kΩ resistor into each pin. The machine model is a 200 pF capacitor discharged directly into each pin. MIL-STD-883 3015.7.

### 7.3 Recommended Operating Conditions

over operating free-air temperature range (unless otherwise noted)

		MIN	NOM	MAX	UNIT
Cathode voltage		V <sub>REF</sub>		30	V
Cathode current		0.1		15	mA
Temperature	LMV431AI	-40		85	°C
Derating Curve (Slope = -1/R <sub>θJA</sub> )					

### 7.4 Thermal Information

THERMAL METRIC <sup>(1)</sup>	LMV431	LMV431	LMV431	UNIT
	SOT-23	SOT-23	TO-92	
	3 PINS	5 PINS	3 PINS	
R <sub>θJA</sub> Junction-to-ambient thermal resistance <sup>(2)</sup>	455	455	161	°C/W

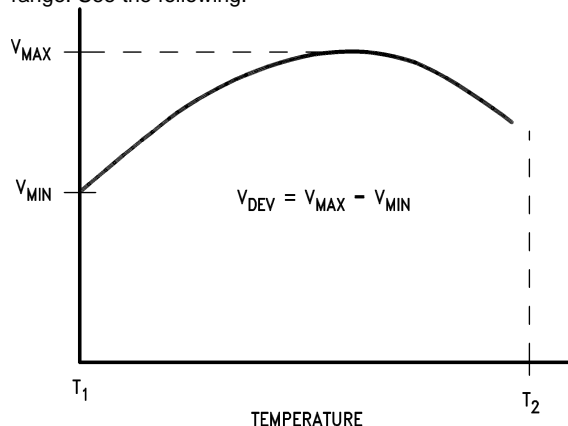
- (1) For more information about traditional and new thermal metrics, see the *IC Package Thermal Metrics* application report, [SPRA953](#).
- (2) T<sub>J Max</sub> = 150°C, T<sub>J</sub> = T<sub>A</sub> + (R<sub>θJA</sub> P<sub>D</sub>), where P<sub>D</sub> is the operating power of the device.

## 7.5 LMV431C Electrical Characteristics

 $T_A = 25^\circ\text{C}$  unless otherwise specified

SYMBOL	PARAMETER	TEST CONDITIONS	MIN	TYP	MAX	UNIT
$V_{REF}$	Reference Voltage	$V_Z = V_{REF}$ , $I_Z = 10\text{ mA}$ (See <a href="#">Figure 32</a> )	$T_A = 25^\circ\text{C}$ 1.222	1.24	1.258	V
			$T_A = \text{Full Range}$ 1.21		1.27	
$V_{DEV}$	Deviation of Reference Input Voltage Over Temperature <sup>(1)</sup>	$V_Z = V_{REF}$ , $I_Z = 10\text{ mA}$ , $T_A = \text{Full Range}$ (See <a href="#">Figure 32</a> )		4	12	mV
$\frac{\Delta V_{REF}}{\Delta V_Z}$	Ratio of the Change in Reference Voltage to the Change in Cathode Voltage	$I_Z = 10\text{ mA}$ (see <a href="#">Figure 33</a> ) $V_Z$ from $V_{REF}$ to 6 V $R_1 = 10\text{ k}\Omega$ , $R_2 = \infty$ and 2.6 k $\Omega$		-1.5	-2.7	mV/V
$I_{REF}$	Reference Input Current	$R_1 = 10\text{ k}\Omega$ , $R_2 = \infty$ $I_1 = 10\text{ mA}$ (see <a href="#">Figure 33</a> )		0.15	0.5	$\mu\text{A}$
$\alpha I_{REF}$	Deviation of Reference Input Current over Temperature	$R_1 = 10\text{ k}\Omega$ , $R_2 = \infty$ , $I_1 = 10\text{ mA}$ , $T_A = \text{Full Range}$ (see <a href="#">Figure 33</a> )		0.05	0.3	$\mu\text{A}$
$I_{Z(MIN)}$	Minimum Cathode Current for Regulation	$V_Z = V_{REF}$ (see <a href="#">Figure 32</a> )		55	80	$\mu\text{A}$
$I_{Z(OFF)}$	Off-State Current	$V_Z = 6\text{ V}$ , $V_{REF} = 0\text{ V}$ (see <a href="#">Figure 34</a> )		0.001	0.1	$\mu\text{A}$
$r_Z$	Dynamic Output Impedance <sup>(2)</sup>	$V_Z = V_{REF}$ , $I_Z = 0.1\text{ mA}$ to 15 mA Frequency = 0 Hz (see <a href="#">Figure 32</a> )		0.25	0.4	$\Omega$

- (1) Deviation of reference input voltage,  $V_{DEV}$ , is defined as the maximum variation of the reference input voltage over the full temperature range. See the following:



The average temperature coefficient of the reference input voltage,  $\alpha V_{REF}$ , is defined as:

$$\alpha V_{REF} \frac{\text{ppm}}{^\circ\text{C}} = \frac{\pm \left( \frac{V_{MAX} - V_{MIN}}{V_{REF}(\text{at } 25^\circ\text{C})} \right) 10^6}{T_2 - T_1} = \frac{\pm \left( \frac{V_{DEV}}{V_{REF}(\text{at } 25^\circ\text{C})} \right) 10^6}{T_2 - T_1}$$

Where:  $T_2 - T_1$  = full temperature change.  $\alpha V_{REF}$  can be positive or negative depending on whether the slope is positive or negative.

Example:  $V_{DEV} = 6\text{ mV}$ ,  $V_{REF} = 1240\text{ mV}$ ,  $T_2 - T_1 = 125^\circ\text{C}$ .

$$\alpha V_{REF} = \frac{\left( \frac{6.0\text{ mV}}{1240\text{ mV}} \right) 10^6}{125^\circ\text{C}} = +39\text{ ppm}/^\circ\text{C}$$

- (2) The dynamic output impedance,  $r_Z$ , is defined as:

$$r_Z = \frac{\Delta V_Z}{\Delta I_Z}$$

When the device is programmed with two external resistors,  $R_1$  and  $R_2$ , (see [Figure 33](#)), the dynamic output impedance of the overall circuit,  $r_Z$ , is defined as:

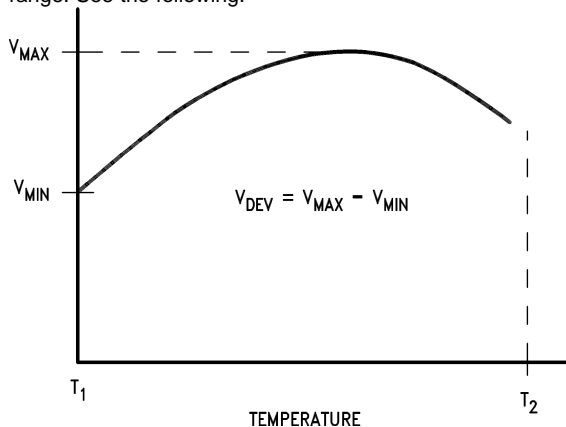
$$r_Z = \frac{\Delta V_Z}{\Delta I_Z} \cong \left[ r_Z \left( 1 + \frac{R_1}{R_2} \right) \right]$$

## 7.6 LMV431I Electrical Characteristics

$T_A = 25^\circ\text{C}$  unless otherwise specified

SYMBOL	PARAMETER	TEST CONDITIONS	MIN	TYP	MAX	UNIT	
$V_{REF}$	Reference Voltage	$V_Z = V_{REF}, I_Z = 10\text{ mA}$ (See <a href="#">Figure 32</a> )	$T_A = 25^\circ\text{C}$	1.222	1.24	1.258	V
			$T_A = \text{Full Range}$	1.202		1.278	
$V_{DEV}$	Deviation of Reference Input Voltage Over Temperature <sup>(1)</sup>	$V_Z = V_{REF}, I_Z = 10\text{ mA},$ $T_A = \text{Full Range}$ (See <a href="#">Figure 32</a> )		6	20	mV	
$\frac{\Delta V_{REF}}{\Delta V_Z}$	Ratio of the Change in Reference Voltage to the Change in Cathode Voltage	$I_Z = 10\text{ mA}$ (see <a href="#">Figure 33</a> ) $V_Z$ from $V_{REF}$ to 6V $R_1 = 10\text{ k}\Omega, R_2 = \infty$ and 2.6k $\Omega$		-1.5	-2.7	mV/V	
$I_{REF}$	Reference Input Current	$R_1 = 10\text{ k}\Omega, R_2 = \infty$ $I_1 = 10\text{ mA}$ (see <a href="#">Figure 33</a> )		0.15	0.5	$\mu\text{A}$	
$\alpha I_{REF}$	Deviation of Reference Input Current over Temperature	$R_1 = 10\text{ k}\Omega, R_2 = \infty,$ $I_1 = 10\text{ mA}, T_A = \text{Full Range}$ (see <a href="#">Figure 33</a> )		0.1	0.4	$\mu\text{A}$	
$I_{Z(MIN)}$	Minimum Cathode Current for Regulation	$V_Z = V_{REF}$ (see <a href="#">Figure 32</a> )		55	80	$\mu\text{A}$	
$I_{Z(OFF)}$	Off-State Current	$V_Z = 6\text{ V}, V_{REF} = 0\text{ V}$ (see <a href="#">Figure 34</a> )		0.001	0.1	$\mu\text{A}$	
$r_Z$	Dynamic Output Impedance <sup>(2)</sup>	$V_Z = V_{REF}, I_Z = 0.1\text{ mA to }15\text{ mA}$ Frequency = 0 Hz (see <a href="#">Figure 32</a> )		0.25	0.4	$\Omega$	

- (1) Deviation of reference input voltage,  $V_{DEV}$ , is defined as the maximum variation of the reference input voltage over the full temperature range. See the following:



The average temperature coefficient of the reference input voltage,  $\alpha V_{REF}$ , is defined as:

$$\alpha V_{REF} \frac{\text{ppm}}{^\circ\text{C}} = \frac{\pm \left( \frac{V_{MAX} - V_{MIN}}{V_{REF}(\text{at } 25^\circ\text{C})} \right) 10^6}{T_2 - T_1} = \frac{\pm \left( \frac{V_{DEV}}{V_{REF}(\text{at } 25^\circ\text{C})} \right) 10^6}{T_2 - T_1}$$

Where:  $T_2 - T_1 =$  full temperature change.  $\alpha V_{REF}$  can be positive or negative depending on whether the slope is positive or negative.

Example:  $V_{DEV} = 6\text{ mV}, V_{REF} = 1240\text{ mV}, T_2 - T_1 = 125^\circ\text{C}.$

$$\alpha V_{REF} = \frac{\left( \frac{6.0\text{ mV}}{1240\text{ mV}} \right) 10^6}{125^\circ\text{C}} = +39\text{ ppm} / ^\circ\text{C}$$

- (2) The dynamic output impedance,  $r_Z$ , is defined as:

$$r_Z = \frac{\Delta V_Z}{\Delta I_Z}$$

When the device is programmed with two external resistors,  $R_1$  and  $R_2$ , (see [Figure 33](#)), the dynamic output impedance of the overall circuit,  $r_Z$ , is defined as:

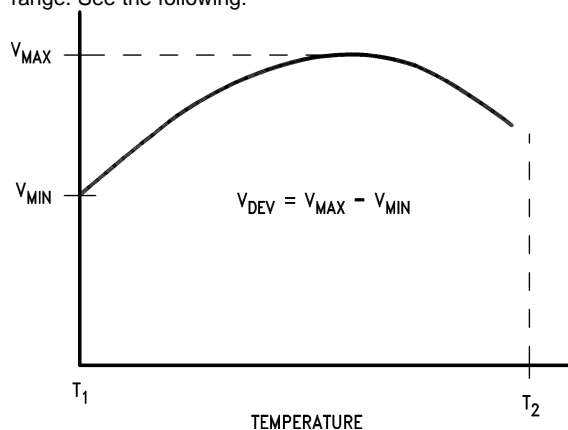
$$r_Z = \frac{\Delta V_Z}{\Delta I_Z} \cong \left[ r_Z \left( 1 + \frac{R_1}{R_2} \right) \right]$$

## 7.7 LMV431AC Electrical Characteristics

 $T_A = 25^\circ\text{C}$  unless otherwise specified

SYMBOL	PARAMETER	TEST CONDITIONS	MIN	TYP	MAX	UNIT
$V_{REF}$	Reference Voltage	$V_Z = V_{REF}$ , $I_Z = 10\text{ mA}$ (See <a href="#">Figure 32</a> )	$T_A = 25^\circ\text{C}$ 1.228	1.24	1.252	V
			$T_A = \text{Full Range}$ 1.221		1.259	
$V_{DEV}$	Deviation of Reference Input Voltage Over Temperature <sup>(1)</sup>	$V_Z = V_{REF}$ , $I_Z = 10\text{ mA}$ , $T_A = \text{Full Range}$ (See <a href="#">Figure 32</a> )		4	12	mV
$\frac{\Delta V_{REF}}{\Delta V_Z}$	Ratio of the Change in Reference Voltage to the Change in Cathode Voltage	$I_Z = 10\text{ mA}$ (see <a href="#">Figure 33</a> ) $V_Z$ from $V_{REF}$ to 6 V $R_1 = 10\text{ k}\Omega$ , $R_2 = \infty$ and 2.6 k $\Omega$		-1.5	-2.7	mV/V
$I_{REF}$	Reference Input Current	$R_1 = 1\text{ k}\Omega$ , $R_2 = \infty$ $I_I = 10\text{ mA}$ (see <a href="#">Figure 33</a> )		0.15	0.50	$\mu\text{A}$
$\alpha I_{REF}$	Deviation of Reference Input Current over Temperature	$R_1 = 10\text{ k}\Omega$ , $R_2 = \infty$ , $I_I = 10\text{ mA}$ , $T_A = \text{Full Range}$ (see <a href="#">Figure 33</a> )		0.05	0.3	$\mu\text{A}$
$I_{Z(\text{MIN})}$	Minimum Cathode Current for Regulation	$V_Z = V_{REF}$ (see <a href="#">Figure 32</a> )		55	80	$\mu\text{A}$
$I_{Z(\text{OFF})}$	Off-State Current	$V_Z = 6\text{ V}$ , $V_{REF} = 0\text{ V}$ (see <a href="#">Figure 34</a> )		0.001	0.1	$\mu\text{A}$
$r_Z$	Dynamic Output Impedance <sup>(2)</sup>	$V_Z = V_{REF}$ , $I_Z = 0.1\text{ mA}$ to 15mA Frequency = 0 Hz (see <a href="#">Figure 32</a> )		0.25	0.4	$\Omega$

- (1) Deviation of reference input voltage,  $V_{DEV}$ , is defined as the maximum variation of the reference input voltage over the full temperature range. See the following:



The average temperature coefficient of the reference input voltage,  $\alpha V_{REF}$ , is defined as:

$$\alpha V_{REF} \frac{\text{ppm}}{^\circ\text{C}} = \frac{\pm \left( \frac{V_{MAX} - V_{MIN}}{V_{REF}(\text{at } 25^\circ\text{C})} \right) 10^6}{T_2 - T_1} = \frac{\pm \left( \frac{V_{DEV}}{V_{REF}(\text{at } 25^\circ\text{C})} \right) 10^6}{T_2 - T_1}$$

Where:  $T_2 - T_1$  = full temperature change.  $\alpha V_{REF}$  can be positive or negative depending on whether the slope is positive or negative.

Example:  $V_{DEV} = 6\text{ mV}$ ,  $V_{REF} = 1240\text{ mV}$ ,  $T_2 - T_1 = 125^\circ\text{C}$ .

$$\alpha V_{REF} = \frac{\left( \frac{6.0\text{ mV}}{1240\text{ mV}} \right) 10^6}{125^\circ\text{C}} = +39\text{ ppm} / ^\circ\text{C}$$

- (2) The dynamic output impedance,  $r_Z$ , is defined as:

$$r_Z = \frac{\Delta V_Z}{\Delta I_Z}$$

When the device is programmed with two external resistors,  $R_1$  and  $R_2$ , (see [Figure 33](#)), the dynamic output impedance of the overall circuit,  $r_Z$ , is defined as:

$$r_Z = \frac{\Delta V_Z}{\Delta I_Z} \cong \left[ r_Z \left( 1 + \frac{R_1}{R_2} \right) \right]$$

## 7.8 LMV431AI Electrical Characteristics

T<sub>A</sub> = 25°C unless otherwise specified

SYMBOL	PARAMETER	TEST CONDITIONS		MIN	TYP	MAX	UNIT
V <sub>REF</sub>	Reference Voltage	V <sub>Z</sub> = V <sub>REF</sub> , I <sub>Z</sub> = 10mA (See <a href="#">Figure 32</a> )	T <sub>A</sub> = 25°C	1.228	1.24	1.252	V
			T <sub>A</sub> = Full Range	1.215		1.265	V
V <sub>DEV</sub>	Deviation of Reference Input Voltage Over Temperature <sup>(1)</sup>	V <sub>Z</sub> = V <sub>REF</sub> , I <sub>Z</sub> = 10mA, T <sub>A</sub> = Full Range (See <a href="#">Figure 32</a> )		6	20		mV
$\frac{\Delta V_{REF}}{\Delta V_Z}$	Ratio of the Change in Reference Voltage to the Change in Cathode Voltage	I <sub>Z</sub> = 10mA (see <a href="#">Figure 33</a> ) V <sub>Z</sub> from V <sub>REF</sub> to 6 V R <sub>1</sub> = 10 kΩ, R <sub>2</sub> = ∞ and 2.6 kΩ		-1.5	-2.7		mV/V
I <sub>REF</sub>	Reference Input Current	R <sub>1</sub> = 10 kΩ, R <sub>2</sub> = ∞ I <sub>1</sub> = 10 mA (see <a href="#">Figure 33</a> )		0.15	0.5		μA
αI <sub>REF</sub>	Deviation of Reference Input Current over Temperature	R <sub>1</sub> = 10 kΩ, R <sub>2</sub> = ∞, I <sub>1</sub> = 10 mA, T <sub>A</sub> = Full Range (see <a href="#">Figure 33</a> )		0.1	0.4		μA
I <sub>Z(MIN)</sub>	Minimum Cathode Current for Regulation	V <sub>Z</sub> = V <sub>REF</sub> (see <a href="#">Figure 32</a> )		55	80		μA
I <sub>Z(OFF)</sub>	Off-State Current	V <sub>Z</sub> = 6 V, V <sub>REF</sub> = 0 V (see <a href="#">Figure 34</a> )		0.001	0.1		μA
r <sub>Z</sub>	Dynamic Output Impedance <sup>(2)</sup>	V <sub>Z</sub> = V <sub>REF</sub> , I <sub>Z</sub> = 0.1 mA to 15 mA Frequency = 0 Hz (see <a href="#">Figure 32</a> )		0.25	0.4		Ω

- (1) Deviation of reference input voltage, V<sub>DEV</sub>, is defined as the maximum variation of the reference input voltage over the full temperature range. See the following:



The average temperature coefficient of the reference input voltage, αV<sub>REF</sub>, is defined as:

$$\alpha V_{REF} \frac{\text{ppm}}{^{\circ}\text{C}} = \frac{\pm \left( \frac{V_{\text{Max}} - V_{\text{Min}}}{V_{REF}(\text{at } 25^{\circ}\text{C})} \right) 10^6}{T_2 - T_1} = \frac{\pm \left( \frac{V_{DEV}}{V_{REF}(\text{at } 25^{\circ}\text{C})} \right) 10^6}{T_2 - T_1}$$

Where: T<sub>2</sub> - T<sub>1</sub> = full temperature change. αV<sub>REF</sub> can be positive or negative depending on whether the slope is positive or negative.

Example: V<sub>DEV</sub> = 6 mV, V<sub>REF</sub> = 1240 mV, T<sub>2</sub> - T<sub>1</sub> = 125°C.

$$\alpha V_{REF} = \frac{\left( \frac{6.0 \text{ mV}}{1240 \text{ mV}} \right) 10^6}{125^{\circ}\text{C}} = +39 \text{ ppm} / ^{\circ}\text{C}$$

- (2) The dynamic output impedance, r<sub>Z</sub>, is defined as:

$$r_Z = \frac{\Delta V_Z}{\Delta I_Z}$$

When the device is programmed with two external resistors, R<sub>1</sub> and R<sub>2</sub>, (see [Figure 33](#)), the dynamic output impedance of the overall circuit, r<sub>Z</sub>, is defined as:

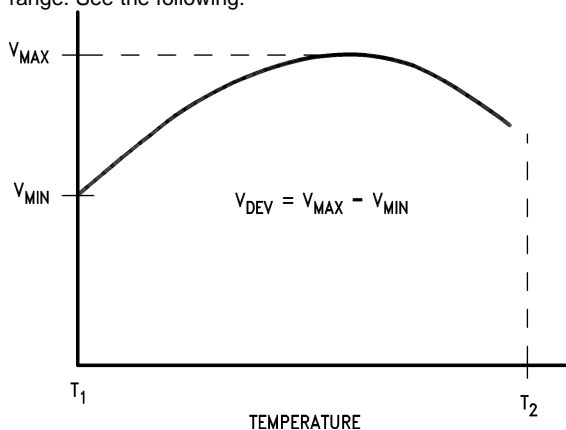
$$r_Z = \frac{\Delta V_Z}{\Delta I_Z} \cong \left[ r_Z \left( 1 + \frac{R_1}{R_2} \right) \right]$$

## 7.9 LMV431BC Electrical Characteristics

$T_A = 25^\circ\text{C}$  unless otherwise specified

SYMBOL	PARAMETER	TEST CONDITIONS	MIN	TYP	MAX	UNIT
$V_{REF}$	Reference Voltage	$V_Z = V_{REF}$ , $I_Z = 10\text{ mA}$ (See <a href="#">Figure 32</a> )	1.234	1.24	1.246	V
		$T_A = 25^\circ\text{C}$				
		$T_A = \text{Full Range}$	1.227		1.253	V
$V_{DEV}$	Deviation of Reference Input Voltage Over Temperature <sup>(1)</sup>	$V_Z = V_{REF}$ , $I_Z = 10\text{ mA}$ , $T_A = \text{Full Range}$ (See <a href="#">Figure 32</a> )		4	12	mV
$\frac{\Delta V_{REF}}{\Delta V_Z}$	Ratio of the Change in Reference Voltage to the Change in Cathode Voltage	$I_Z = 10\text{ mA}$ (see <a href="#">Figure 33</a> ) $V_Z$ from $V_{REF}$ to 6 V $R_1 = 10\text{ k}\Omega$ , $R_2 = \infty$ and 2.6 k $\Omega$		-1.5	-2.7	mV/V
$I_{REF}$	Reference Input Current	$R_1 = 10\text{ k}\Omega$ , $R_2 = \infty$ $I_1 = 10\text{ mA}$ (see <a href="#">Figure 33</a> )		0.15	0.50	$\mu\text{A}$
$\alpha I_{REF}$	Deviation of Reference Input Current over Temperature	$R_1 = 10\text{ k}\Omega$ , $R_2 = \infty$ , $I_1 = 10\text{ mA}$ , $T_A = \text{Full Range}$ (see <a href="#">Figure 33</a> )		0.05	0.3	$\mu\text{A}$
$I_{Z(MIN)}$	Minimum Cathode Current for Regulation	$V_Z = V_{REF}$ (see <a href="#">Figure 32</a> )		55	80	$\mu\text{A}$
$I_{Z(OFF)}$	Off-State Current	$V_Z = 6\text{ V}$ , $V_{REF} = 0\text{ V}$ (see <a href="#">Figure 34</a> )		0.001	0.1	$\mu\text{A}$
$r_Z$	Dynamic Output Impedance <sup>(2)</sup>	$V_Z = V_{REF}$ , $I_Z = 0.1\text{ mA}$ to 15mA Frequency = 0 Hz (see <a href="#">Figure 32</a> )		0.25	0.4	$\Omega$

- (1) Deviation of reference input voltage,  $V_{DEV}$ , is defined as the maximum variation of the reference input voltage over the full temperature range. See the following:



The average temperature coefficient of the reference input voltage,  $\alpha V_{REF}$ , is defined as:

$$\alpha V_{REF} \frac{\text{ppm}}{^\circ\text{C}} = \frac{\pm \left( \frac{V_{MAX} - V_{MIN}}{V_{REF}(\text{at } 25^\circ\text{C})} \right) 10^6}{T_2 - T_1} = \frac{\pm \left( \frac{V_{DEV}}{V_{REF}(\text{at } 25^\circ\text{C})} \right) 10^6}{T_2 - T_1}$$

Where:  $T_2 - T_1$  = full temperature change.  $\alpha V_{REF}$  can be positive or negative depending on whether the slope is positive or negative.

Example:  $V_{DEV} = 6\text{ mV}$ ,  $V_{REF} = 1240\text{ mV}$ ,  $T_2 - T_1 = 125^\circ\text{C}$ .

$$\alpha V_{REF} = \frac{\left( \frac{6.0\text{ mV}}{1240\text{ mV}} \right) 10^6}{125^\circ\text{C}} = +39\text{ ppm} / ^\circ\text{C}$$

- (2) The dynamic output impedance,  $r_Z$ , is defined as:

$$r_Z = \frac{\Delta V_Z}{\Delta I_Z}$$

When the device is programmed with two external resistors,  $R_1$  and  $R_2$ , (see [Figure 33](#)), the dynamic output impedance of the overall circuit,  $r_Z$ , is defined as:

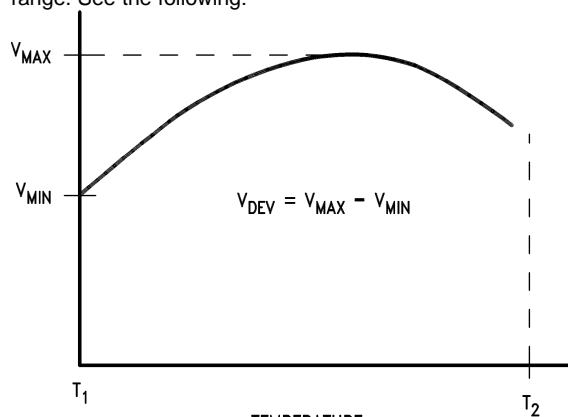
$$r_Z = \frac{\Delta V_Z}{\Delta I_Z} \cong \left[ r_Z \left( 1 + \frac{R_1}{R_2} \right) \right]$$

## 7.10 LMV431BI Electrical Characteristics

$T_A = 25^\circ\text{C}$  unless otherwise specified

SYMBOL	PARAMETER	TEST CONDITIONS		MIN	TYP	MAX	UNIT
$V_{REF}$	Reference Voltage	$V_Z = V_{REF}$ , $I_Z = 10\text{ mA}$ (See <a href="#">Figure 32</a> )	$T_A = 25^\circ\text{C}$	1.234	1.24	1.246	V
			$T_A = \text{Full Range}$	1.224		1.259	V
$V_{DEV}$	Deviation of Reference Input Voltage Over Temperature <sup>(1)</sup>	$V_Z = V_{REF}$ , $I_Z = 10\text{ mA}$ , $T_A = \text{Full Range}$ (See <a href="#">Figure 32</a> )			6	20	mV
$\frac{\Delta V_{REF}}{\Delta V_Z}$	Ratio of the Change in Reference Voltage to the Change in Cathode Voltage	$I_Z = 10\text{ mA}$ (see <a href="#">Figure 33</a> ) $V_Z$ from $V_{REF}$ to 6V $R_1 = 10\text{ k}\Omega$ , $R_2 = \infty$ and 2.6 k $\Omega$			-1.5	-2.7	mV/V
$I_{REF}$	Reference Input Current	$R_1 = 10\text{ k}\Omega$ , $R_2 = \infty$ $I_1 = 10\text{ mA}$ (see <a href="#">Figure 33</a> )			0.15	0.50	$\mu\text{A}$
$\alpha I_{REF}$	Deviation of Reference Input Current over Temperature	$R_1 = 10\text{ k}\Omega$ , $R_2 = \infty$ , $I_1 = 10\text{ mA}$ , $T_A = \text{Full Range}$ (see <a href="#">Figure 33</a> )			0.1	0.4	$\mu\text{A}$
$I_{Z(\text{MIN})}$	Minimum Cathode Current for Regulation	$V_Z = V_{REF}$ (see <a href="#">Figure 32</a> )			55	80	$\mu\text{A}$
$I_{Z(\text{OFF})}$	Off-State Current	$V_Z = 6\text{ V}$ , $V_{REF} = 0\text{ V}$ (see <a href="#">Figure 34</a> )			0.001	0.1	$\mu\text{A}$
$r_Z$	Dynamic Output Impedance <sup>(2)</sup>	$V_Z = V_{REF}$ , $I_Z = 0.1\text{ mA}$ to 15 mA Frequency = 0 Hz (see <a href="#">Figure 32</a> )			0.25	0.4	$\Omega$

- (1) Deviation of reference input voltage,  $V_{DEV}$ , is defined as the maximum variation of the reference input voltage over the full temperature range. See the following:



The average temperature coefficient of the reference input voltage,  $\alpha V_{REF}$ , is defined as:

$$\alpha V_{REF} \frac{\text{ppm}}{^\circ\text{C}} = \frac{\pm \left( \frac{V_{MAX} - V_{MIN}}{V_{REF}(\text{at } 25^\circ\text{C})} \right) 10^6}{T_2 - T_1} = \frac{\pm \left( \frac{V_{DEV}}{V_{REF}(\text{at } 25^\circ\text{C})} \right) 10^6}{T_2 - T_1}$$

Where:  $T_2 - T_1 =$  full temperature change.  $\alpha V_{REF}$  can be positive or negative depending on whether the slope is positive or negative.

Example:  $V_{DEV} = 6\text{ mV}$ ,  $V_{REF} = 1240\text{ mV}$ ,  $T_2 - T_1 = 125^\circ\text{C}$ .

$$\alpha V_{REF} = \frac{\left( \frac{6.0\text{ mV}}{1240\text{ mV}} \right) 10^6}{125^\circ\text{C}} = +39\text{ ppm} / ^\circ\text{C}$$

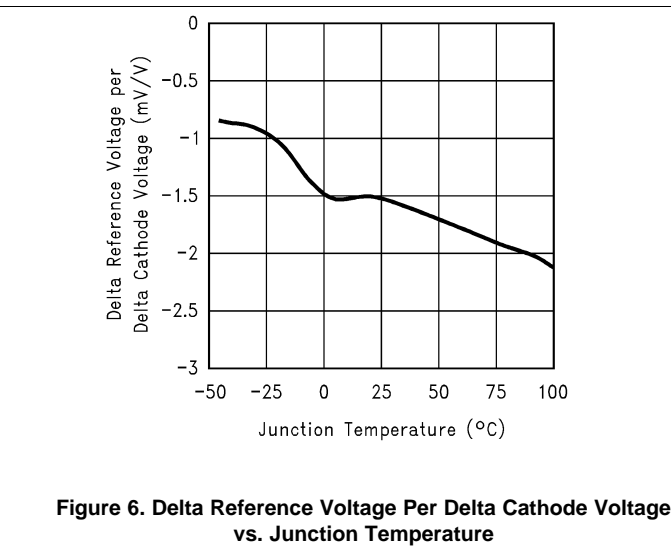
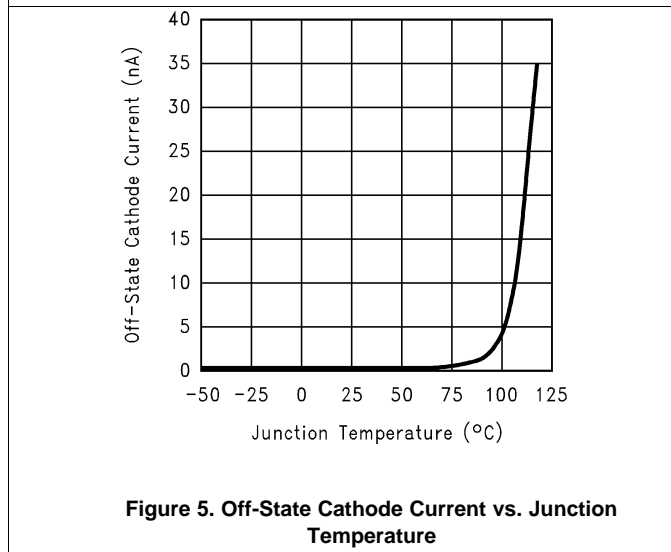
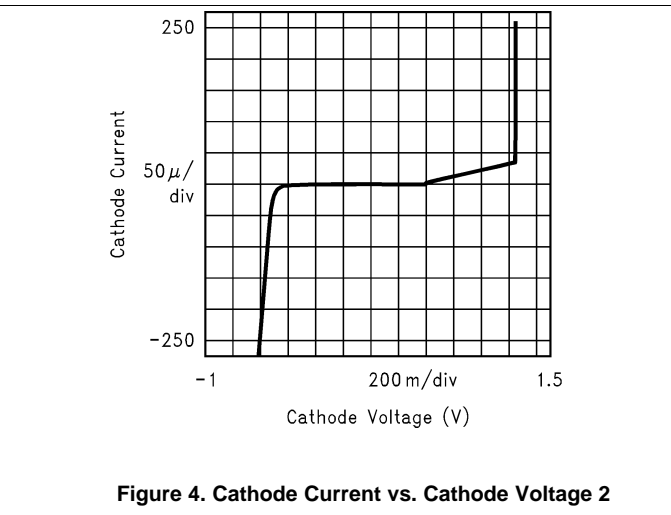
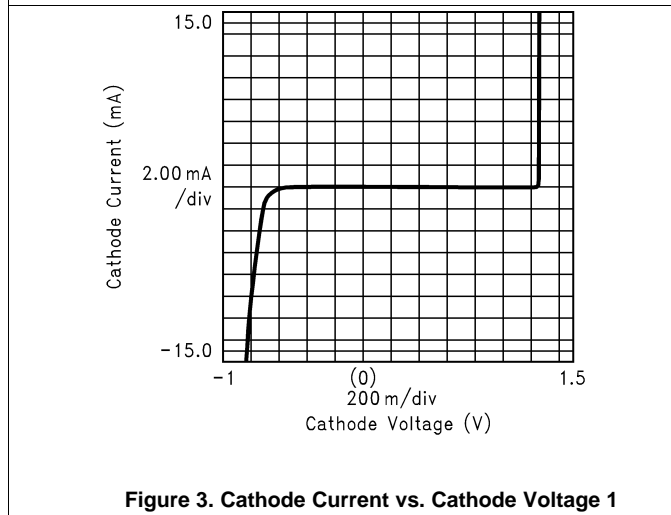
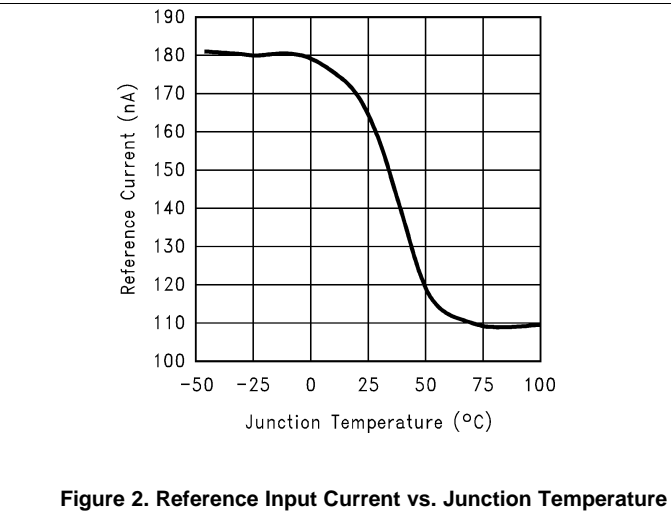
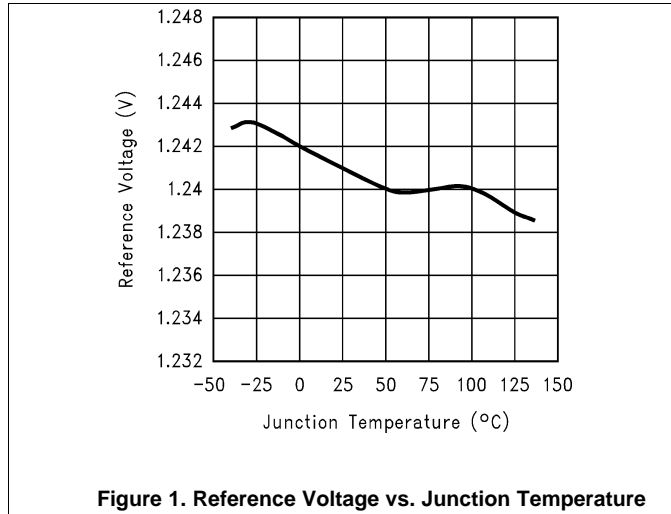
- (2) The dynamic output impedance,  $r_Z$ , is defined as:

$$r_Z = \frac{\Delta V_Z}{\Delta I_Z}$$

When the device is programmed with two external resistors,  $R_1$  and  $R_2$ , (see [Figure 33](#)), the dynamic output impedance of the overall circuit,  $r_Z$ , is defined as:

$$r_Z = \frac{\Delta V_Z}{\Delta I_Z} \cong \left[ r_Z \left( 1 + \frac{R_1}{R_2} \right) \right]$$

## 7.11 Typical Performance Characteristics



Typical Performance Characteristics (continued)



Figure 7. Input Voltage Noise vs. Frequency



Figure 8. Test Circuit For Input Voltage Noise vs. Frequency



Figure 9. Low Frequency Peak To Peak Noise



BW = 0.1 Hz To 10 Hz

Figure 10. Test Circuit For Peak To Peak Noise

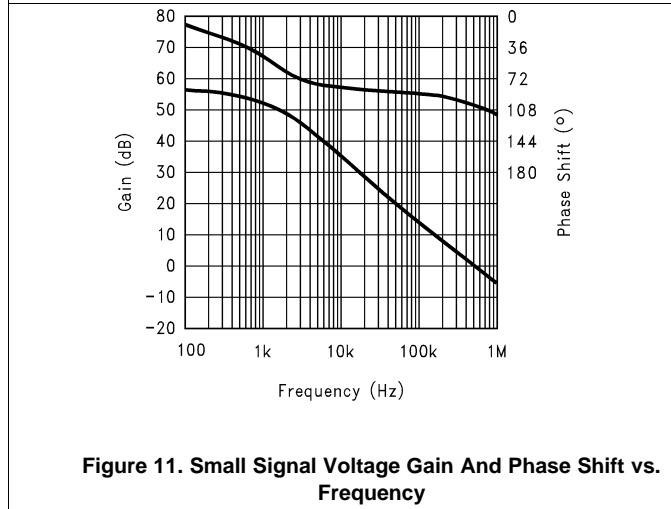


Figure 11. Small Signal Voltage Gain And Phase Shift vs. Frequency

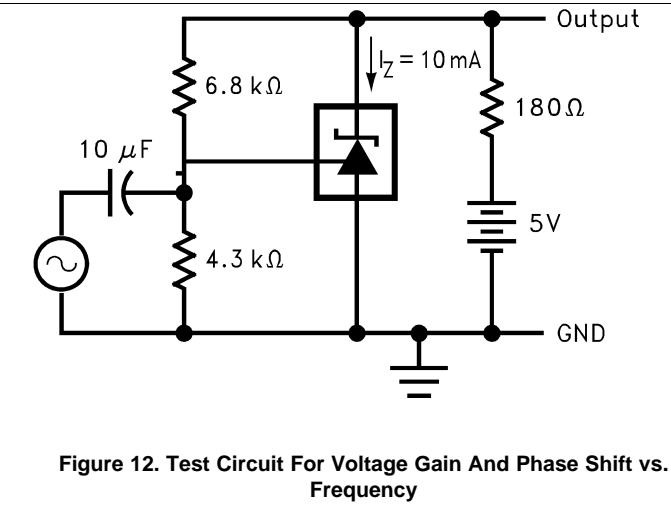


Figure 12. Test Circuit For Voltage Gain And Phase Shift vs. Frequency

Typical Performance Characteristics (continued)

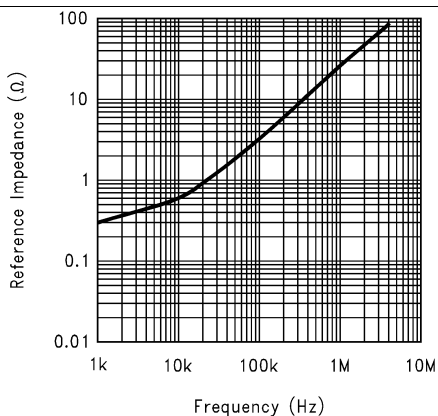


Figure 13. Reference Impedance vs. Frequency

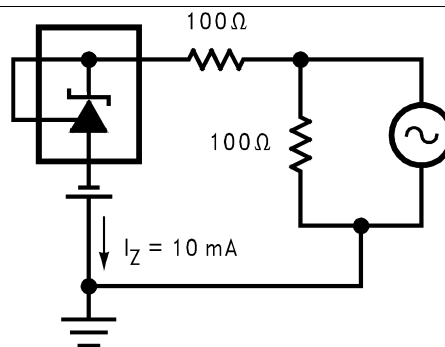


Figure 14. Test Circuit For Reference Impedance vs. Frequency

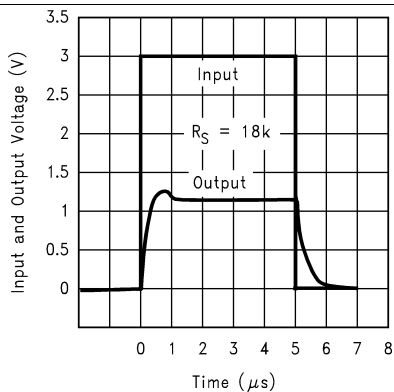


Figure 15. Pulse Response 1

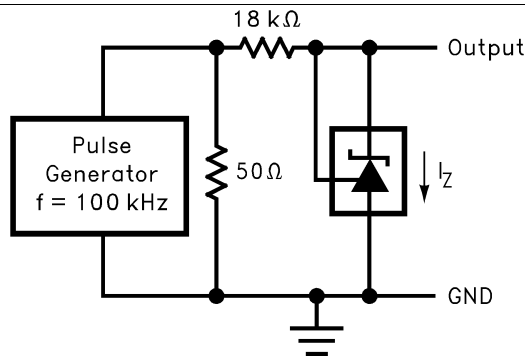


Figure 16. Test Circuit For Pulse Response 1

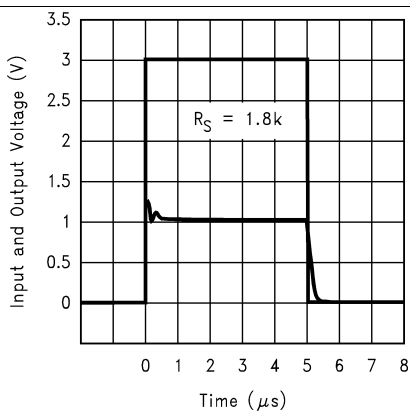


Figure 17. Pulse Response 2

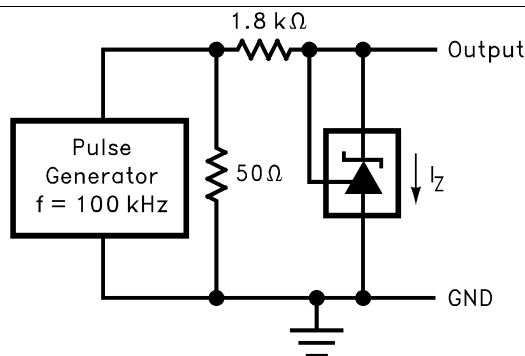


Figure 18. Test Circuit For Pulse Response 2

Typical Performance Characteristics (continued)

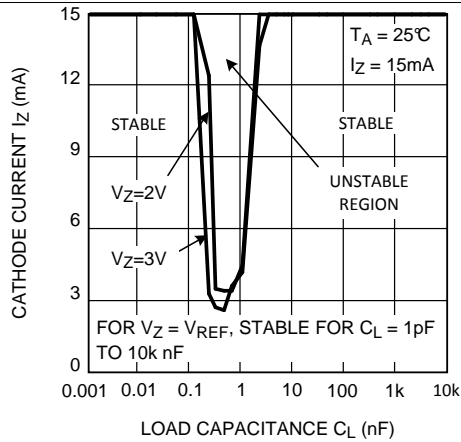


Figure 19. LMV431 Stability Boundary Condition

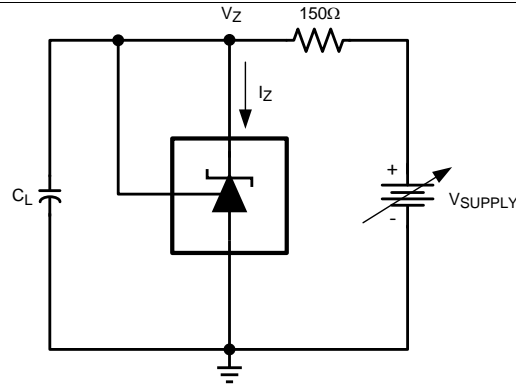


Figure 20. Test Circuit For  $V_Z = V_{REF}$

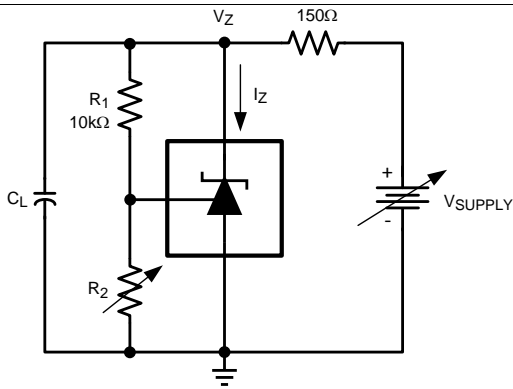
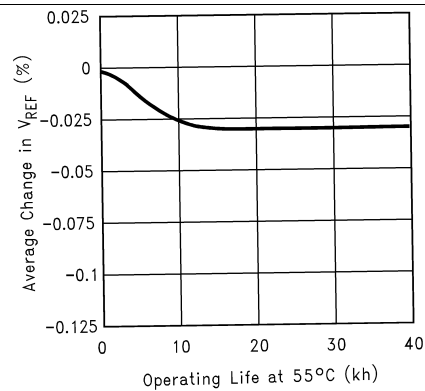


Figure 21. Test Circuit For  $V_Z = 2V, 3V$

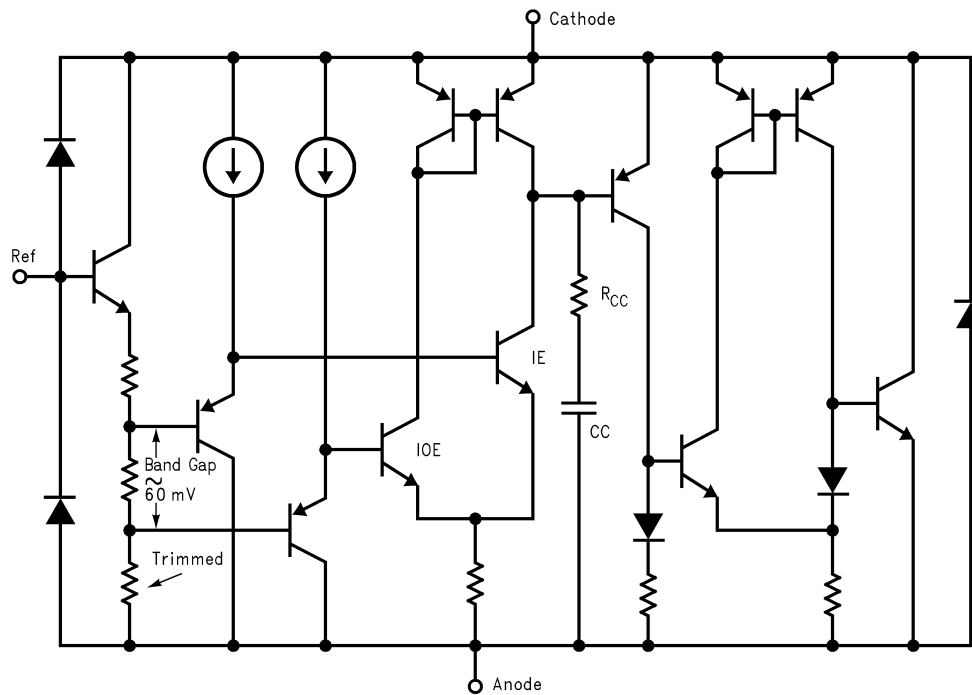


Extrapolated from life-test data taken at  $125^\circ C$ ; the activation energy assumed is 0.7eV.

Figure 22. Percentage Change In  $V_{REF}$  vs. Operating Life At  $55^\circ C$

## 8 Detailed Description

### 8.1 Functional Block Diagram

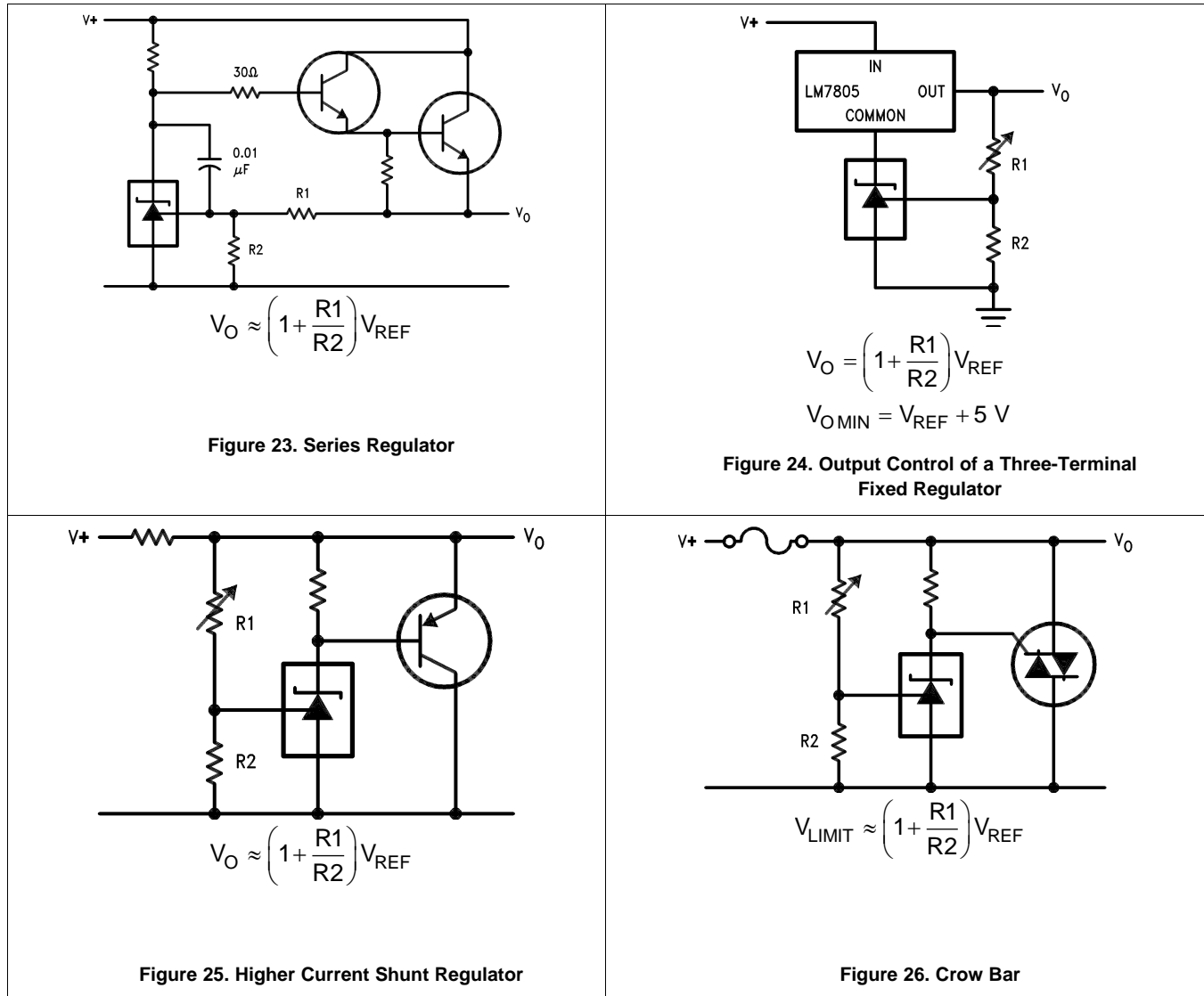


## 9 Application and Implementation

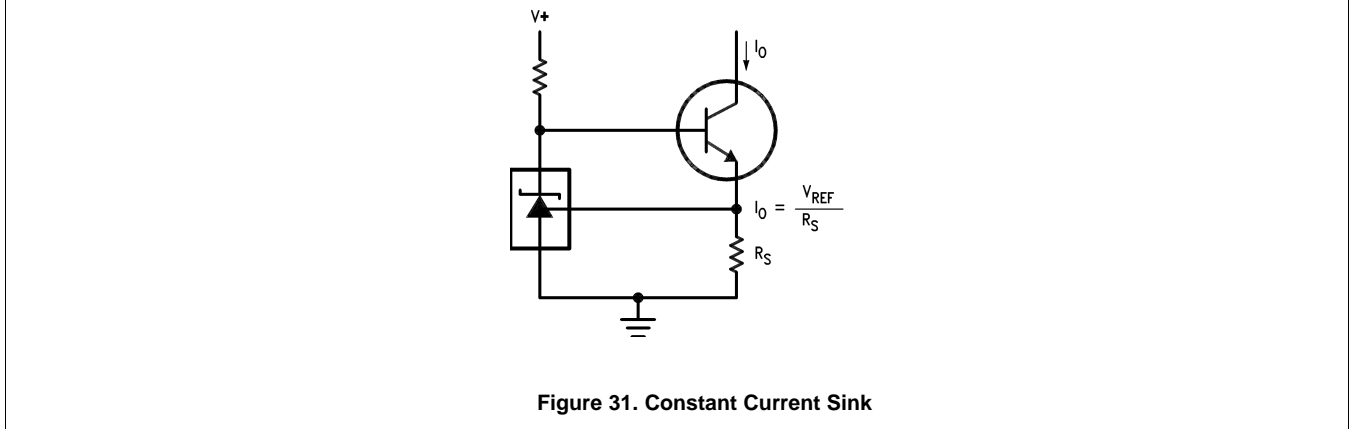
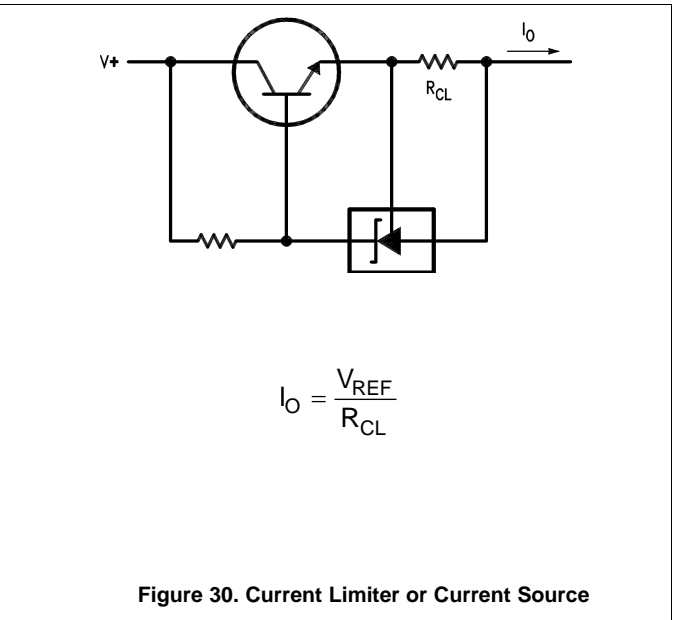
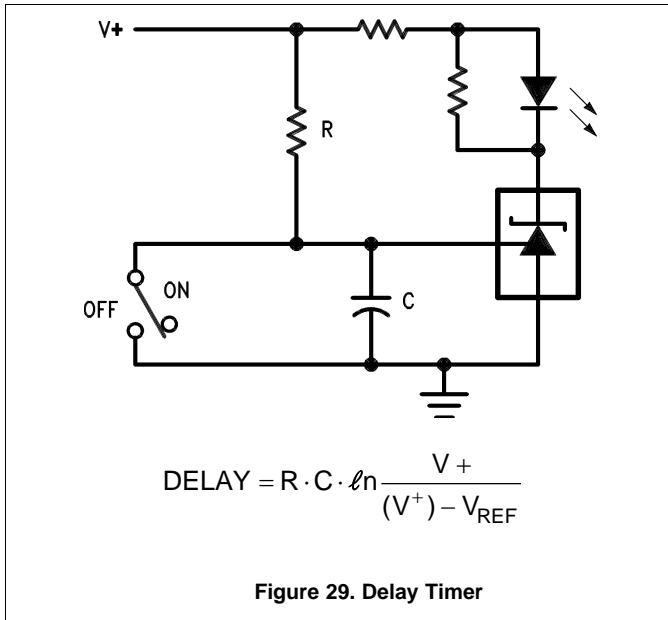
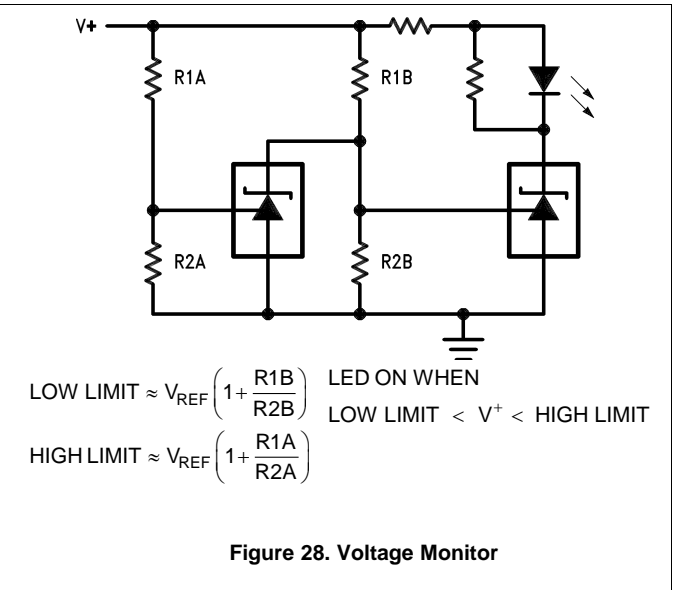
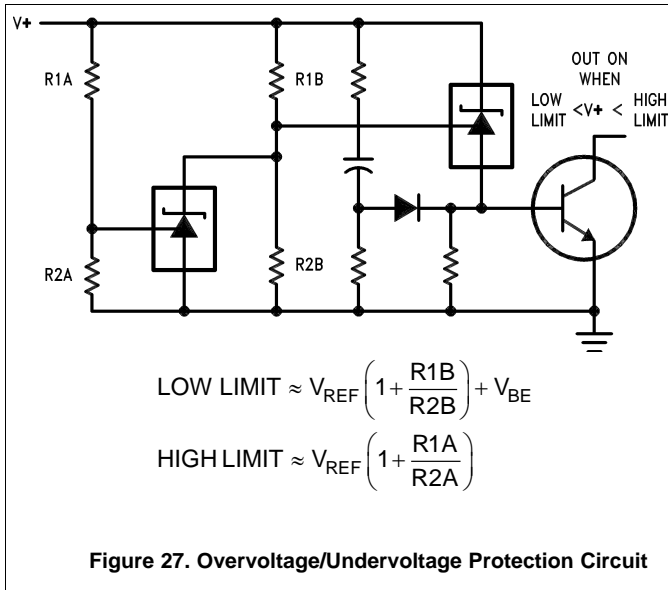
### NOTE

Information in the following applications sections is not part of the TI component specification, and TI does not warrant its accuracy or completeness. TI's customers are responsible for determining suitability of components for their purposes. Customers should validate and test their design implementation to confirm system functionality.

### 9.1 Typical Application



Typical Application (continued)



## 9.2 DC/AC Test Circuit



Figure 32. Test Circuit For  $V_Z = V_{REF}$



Figure 33. Test Circuit For  $V_Z > V_{REF}$



Figure 34. Test Circuit For Off-State Current

## 10 Device and Documentation Support

### 10.1 Documentation Support

#### 10.1.1 Related Links

The table below lists quick access links. Categories include technical documents, support and community resources, tools and software, and quick access to sample or buy.

Table 1. Related Links

PARTS	PRODUCT FOLDER	SAMPLE & BUY	TECHNICAL DOCUMENTS	TOOLS & SOFTWARE	SUPPORT & COMMUNITY
LMV431	<a href="#">Click here</a>	<a href="#">Click here</a>	<a href="#">Click here</a>	<a href="#">Click here</a>	<a href="#">Click here</a>
LMV431A	<a href="#">Click here</a>	<a href="#">Click here</a>	<a href="#">Click here</a>	<a href="#">Click here</a>	<a href="#">Click here</a>
LMV431B	<a href="#">Click here</a>	<a href="#">Click here</a>	<a href="#">Click here</a>	<a href="#">Click here</a>	<a href="#">Click here</a>

### 10.2 Trademarks

All trademarks are the property of their respective owners.

### 10.3 Electrostatic Discharge Caution



These devices have limited built-in ESD protection. The leads should be shorted together or the device placed in conductive foam during storage or handling to prevent electrostatic damage to the MOS gates.

## 10.4 Glossary

[SLYZ022](#) — *TI Glossary*.

This glossary lists and explains terms, acronyms, and definitions.

## 11 Mechanical, Packaging, and Orderable Information

The following pages include mechanical, packaging, and orderable information. This information is the most current data available for the designated devices. This data is subject to change without notice and revision of this document. For browser-based versions of this data sheet, refer to the left-hand navigation.

**PACKAGING INFORMATION**

Orderable Device	Status (1)	Package Type	Package Drawing	Pins	Package Qty	Eco Plan (2)	Lead/Ball Finish (6)	MSL Peak Temp (3)	Op Temp (°C)	Device Marking (4/5)	Samples
LMV431ACM5	NRND	SOT-23	DBV	5	1000	TBD	Call TI	Call TI	0 to 70	N09A	
LMV431ACM5/NOPB	ACTIVE	SOT-23	DBV	5	1000	Green (RoHS & no Sb/Br)	CU SN	Level-1-260C-UNLIM	0 to 70	N09A	<a href="#">Samples</a>
LMV431ACM5X/NOPB	ACTIVE	SOT-23	DBV	5	3000	Green (RoHS & no Sb/Br)	CU SN	Level-1-260C-UNLIM	0 to 70	N09A	<a href="#">Samples</a>
LMV431AIM5	NRND	SOT-23	DBV	5	1000	TBD	Call TI	Call TI	-40 to 85	N08A	
LMV431AIM5/NOPB	ACTIVE	SOT-23	DBV	5	1000	Green (RoHS & no Sb/Br)	CU SN	Level-1-260C-UNLIM	-40 to 85	N08A	<a href="#">Samples</a>
LMV431AIM5X	NRND	SOT-23	DBV	5	3000	TBD	Call TI	Call TI	-40 to 85	N08A	
LMV431AIM5X/NOPB	ACTIVE	SOT-23	DBV	5	3000	Green (RoHS & no Sb/Br)	CU SN	Level-1-260C-UNLIM	-40 to 85	N08A	<a href="#">Samples</a>
LMV431AIMF	NRND	SOT-23	DBZ	3	1000	TBD	Call TI	Call TI	-40 to 85	RLA	
LMV431AIMF/NOPB	ACTIVE	SOT-23	DBZ	3	1000	Green (RoHS & no Sb/Br)	CU SN	Level-1-260C-UNLIM	-40 to 85	RLA	<a href="#">Samples</a>
LMV431AIMFX	NRND	SOT-23	DBZ	3	3000	TBD	Call TI	Call TI	-40 to 85	RLA	
LMV431AIMFX/NOPB	ACTIVE	SOT-23	DBZ	3	3000	Green (RoHS & no Sb/Br)	CU SN	Level-1-260C-UNLIM	-40 to 85	RLA	<a href="#">Samples</a>
LMV431AIZ/LFT3	ACTIVE	TO-92	LP	3	2000	Green (RoHS & no Sb/Br)	CU SN	N / A for Pkg Type		LMV431 AIZ	<a href="#">Samples</a>
LMV431AIZ/NOPB	ACTIVE	TO-92	LP	3	1800	Green (RoHS & no Sb/Br)	CU SN	N / A for Pkg Type	-40 to 85	LMV431 AIZ	<a href="#">Samples</a>
LMV431BCM5/NOPB	ACTIVE	SOT-23	DBV	5	1000	Green (RoHS & no Sb/Br)	CU SN	Level-1-260C-UNLIM		N09C	<a href="#">Samples</a>
LMV431BCM5X/NOPB	ACTIVE	SOT-23	DBV	5	3000	Green (RoHS & no Sb/Br)	CU SN	Level-1-260C-UNLIM		N09C	<a href="#">Samples</a>
LMV431BIMF	NRND	SOT-23	DBZ	3	1000	TBD	Call TI	Call TI	-40 to 85	RLB	
LMV431BIMF/NOPB	ACTIVE	SOT-23	DBZ	3	1000	Green (RoHS & no Sb/Br)	CU SN	Level-1-260C-UNLIM	-40 to 85	RLB	<a href="#">Samples</a>
LMV431BIMFX/NOPB	ACTIVE	SOT-23	DBZ	3	3000	Green (RoHS & no Sb/Br)	CU SN	Level-1-260C-UNLIM	-40 to 85	RLB	<a href="#">Samples</a>
LMV431CM5	NRND	SOT-23	DBV	5	1000	TBD	Call TI	Call TI	0 to 70	N09B	
LMV431CM5/NOPB	ACTIVE	SOT-23	DBV	5	1000	Green (RoHS & no Sb/Br)	CU SN	Level-1-260C-UNLIM	0 to 70	N09B	<a href="#">Samples</a>

Orderable Device	Status (1)	Package Type	Package Drawing	Pins	Package Qty	Eco Plan (2)	Lead/Ball Finish (6)	MSL Peak Temp (3)	Op Temp (°C)	Device Marking (4/5)	Samples
LMV431CM5X/NOPB	ACTIVE	SOT-23	DBV	5	3000	Green (RoHS & no Sb/Br)	CU SN	Level-1-260C-UNLIM	0 to 70	N09B	<a href="#">Samples</a>
LMV431CZ/NOPB	ACTIVE	TO-92	LP	3	1800	Green (RoHS & no Sb/Br)	CU SN	N / A for Pkg Type	0 to 70	LMV431 CZ	<a href="#">Samples</a>
LMV431IM5	NRND	SOT-23	DBV	5	1000	TBD	Call TI	Call TI	-40 to 85	N08B	
LMV431IM5/NOPB	ACTIVE	SOT-23	DBV	5	1000	Green (RoHS & no Sb/Br)	CU SN	Level-1-260C-UNLIM	-40 to 85	N08B	<a href="#">Samples</a>
LMV431IM5X/NOPB	ACTIVE	SOT-23	DBV	5	3000	Green (RoHS & no Sb/Br)	CU SN	Level-1-260C-UNLIM	-40 to 85	N08B	<a href="#">Samples</a>

(1) The marketing status values are defined as follows:

**ACTIVE:** Product device recommended for new designs.

**LIFEBUY:** TI has announced that the device will be discontinued, and a lifetime-buy period is in effect.

**NRND:** Not recommended for new designs. Device is in production to support existing customers, but TI does not recommend using this part in a new design.

**PREVIEW:** Device has been announced but is not in production. Samples may or may not be available.

**OBSOLETE:** TI has discontinued the production of the device.

(2) **RoHS:** TI defines "RoHS" to mean semiconductor products that are compliant with the current EU RoHS requirements for all 10 RoHS substances, including the requirement that RoHS substance do not exceed 0.1% by weight in homogeneous materials. Where designed to be soldered at high temperatures, "RoHS" products are suitable for use in specified lead-free processes. TI may reference these types of products as "Pb-Free".

**RoHS Exempt:** TI defines "RoHS Exempt" to mean products that contain lead but are compliant with EU RoHS pursuant to a specific EU RoHS exemption.

**Green:** TI defines "Green" to mean the content of Chlorine (Cl) and Bromine (Br) based flame retardants meet JS709B low halogen requirements of <=1000ppm threshold. Antimony trioxide based flame retardants must also meet the <=1000ppm threshold requirement.

(3) MSL, Peak Temp. - The Moisture Sensitivity Level rating according to the JEDEC industry standard classifications, and peak solder temperature.

(4) There may be additional marking, which relates to the logo, the lot trace code information, or the environmental category on the device.

(5) Multiple Device Markings will be inside parentheses. Only one Device Marking contained in parentheses and separated by a "~" will appear on a device. If a line is indented then it is a continuation of the previous line and the two combined represent the entire Device Marking for that device.

(6) Lead/Ball Finish - Orderable Devices may have multiple material finish options. Finish options are separated by a vertical ruled line. Lead/Ball Finish values may wrap to two lines if the finish value exceeds the maximum column width.

**Important Information and Disclaimer:**The information provided on this page represents TI's knowledge and belief as of the date that it is provided. TI bases its knowledge and belief on information provided by third parties, and makes no representation or warranty as to the accuracy of such information. Efforts are underway to better integrate information from third parties. TI has taken and

continues to take reasonable steps to provide representative and accurate information but may not have conducted destructive testing or chemical analysis on incoming materials and chemicals. TI and TI suppliers consider certain information to be proprietary, and thus CAS numbers and other limited information may not be available for release.

In no event shall TI's liability arising out of such information exceed the total purchase price of the TI part(s) at issue in this document sold by TI to Customer on an annual basis.

**TAPE AND REEL INFORMATION**

**QUADRANT ASSIGNMENTS FOR PIN 1 ORIENTATION IN TAPE**


\*All dimensions are nominal

Device	Package Type	Package Drawing	Pins	SPQ	Reel Diameter (mm)	Reel Width W1 (mm)	A0 (mm)	B0 (mm)	K0 (mm)	P1 (mm)	W (mm)	Pin1 Quadrant
LMV431ACM5	SOT-23	DBV	5	1000	178.0	8.4	3.2	3.2	1.4	4.0	8.0	Q3
LMV431ACM5/NOPB	SOT-23	DBV	5	1000	178.0	8.4	3.2	3.2	1.4	4.0	8.0	Q3
LMV431ACM5X/NOPB	SOT-23	DBV	5	3000	178.0	8.4	3.2	3.2	1.4	4.0	8.0	Q3
LMV431AIM5	SOT-23	DBV	5	1000	178.0	8.4	3.2	3.2	1.4	4.0	8.0	Q3
LMV431AIM5/NOPB	SOT-23	DBV	5	1000	178.0	8.4	3.2	3.2	1.4	4.0	8.0	Q3
LMV431AIM5X	SOT-23	DBV	5	3000	178.0	8.4	3.2	3.2	1.4	4.0	8.0	Q3
LMV431AIM5X/NOPB	SOT-23	DBV	5	3000	178.0	8.4	3.2	3.2	1.4	4.0	8.0	Q3
LMV431AIMF	SOT-23	DBZ	3	1000	178.0	8.4	3.3	2.9	1.22	4.0	8.0	Q3
LMV431AIMF/NOPB	SOT-23	DBZ	3	1000	178.0	8.4	3.3	2.9	1.22	4.0	8.0	Q3
LMV431AIMFX	SOT-23	DBZ	3	3000	178.0	8.4	3.3	2.9	1.22	4.0	8.0	Q3
LMV431AIMFX/NOPB	SOT-23	DBZ	3	3000	178.0	8.4	3.3	2.9	1.22	4.0	8.0	Q3
LMV431BCM5/NOPB	SOT-23	DBV	5	1000	178.0	8.4	3.2	3.2	1.4	4.0	8.0	Q3
LMV431BCM5X/NOPB	SOT-23	DBV	5	3000	178.0	8.4	3.2	3.2	1.4	4.0	8.0	Q3
LMV431BIMF	SOT-23	DBZ	3	1000	178.0	8.4	3.3	2.9	1.22	4.0	8.0	Q3
LMV431BIMF/NOPB	SOT-23	DBZ	3	1000	178.0	8.4	3.3	2.9	1.22	4.0	8.0	Q3
LMV431BIMFX/NOPB	SOT-23	DBZ	3	3000	178.0	8.4	3.3	2.9	1.22	4.0	8.0	Q3
LMV431CM5	SOT-23	DBV	5	1000	178.0	8.4	3.2	3.2	1.4	4.0	8.0	Q3
LMV431CM5/NOPB	SOT-23	DBV	5	1000	178.0	8.4	3.2	3.2	1.4	4.0	8.0	Q3

Device	Package Type	Package Drawing	Pins	SPQ	Reel Diameter (mm)	Reel Width W1 (mm)	A0 (mm)	B0 (mm)	K0 (mm)	P1 (mm)	W (mm)	Pin1 Quadrant
LMV431CM5X/NOPB	SOT-23	DBV	5	3000	178.0	8.4	3.2	3.2	1.4	4.0	8.0	Q3
LMV431IM5	SOT-23	DBV	5	1000	178.0	8.4	3.2	3.2	1.4	4.0	8.0	Q3
LMV431IM5/NOPB	SOT-23	DBV	5	1000	178.0	8.4	3.2	3.2	1.4	4.0	8.0	Q3
LMV431IM5X/NOPB	SOT-23	DBV	5	3000	178.0	8.4	3.2	3.2	1.4	4.0	8.0	Q3

**TAPE AND REEL BOX DIMENSIONS**


\*All dimensions are nominal

Device	Package Type	Package Drawing	Pins	SPQ	Length (mm)	Width (mm)	Height (mm)
LMV431ACM5	SOT-23	DBV	5	1000	210.0	185.0	35.0
LMV431ACM5/NOPB	SOT-23	DBV	5	1000	210.0	185.0	35.0
LMV431ACM5X/NOPB	SOT-23	DBV	5	3000	210.0	185.0	35.0
LMV431AIM5	SOT-23	DBV	5	1000	210.0	185.0	35.0
LMV431AIM5/NOPB	SOT-23	DBV	5	1000	210.0	185.0	35.0
LMV431AIM5X	SOT-23	DBV	5	3000	210.0	185.0	35.0
LMV431AIM5X/NOPB	SOT-23	DBV	5	3000	210.0	185.0	35.0
LMV431AIMF	SOT-23	DBZ	3	1000	210.0	185.0	35.0
LMV431AIMF/NOPB	SOT-23	DBZ	3	1000	210.0	185.0	35.0
LMV431AIMFX	SOT-23	DBZ	3	3000	210.0	185.0	35.0
LMV431AIMFX/NOPB	SOT-23	DBZ	3	3000	210.0	185.0	35.0
LMV431BCM5/NOPB	SOT-23	DBV	5	1000	210.0	185.0	35.0
LMV431BCM5X/NOPB	SOT-23	DBV	5	3000	210.0	185.0	35.0

Device	Package Type	Package Drawing	Pins	SPQ	Length (mm)	Width (mm)	Height (mm)
LMV431BIMF	SOT-23	DBZ	3	1000	210.0	185.0	35.0
LMV431BIMF/NOPB	SOT-23	DBZ	3	1000	210.0	185.0	35.0
LMV431BIMFX/NOPB	SOT-23	DBZ	3	3000	210.0	185.0	35.0
LMV431CM5	SOT-23	DBV	5	1000	210.0	185.0	35.0
LMV431CM5/NOPB	SOT-23	DBV	5	1000	210.0	185.0	35.0
LMV431CM5X/NOPB	SOT-23	DBV	5	3000	210.0	185.0	35.0
LMV431IM5	SOT-23	DBV	5	1000	210.0	185.0	35.0
LMV431IM5/NOPB	SOT-23	DBV	5	1000	210.0	185.0	35.0
LMV431IM5X/NOPB	SOT-23	DBV	5	3000	210.0	185.0	35.0

## GENERIC PACKAGE VIEW

**DBZ 3**

**SOT-23 - 1.12 mm max height**

SMALL OUTLINE TRANSISTOR



Images above are just a representation of the package family, actual package may vary.  
Refer to the product data sheet for package details.

4203227/C



# EXAMPLE BOARD LAYOUT

DBZ0003A

SOT-23 - 1.12 mm max height

SMALL OUTLINE TRANSISTOR



LAND PATTERN EXAMPLE  
SCALE:15X



SOLDER MASK DETAILS

4214838/C 04/2017

NOTES: (continued)

- 4. Publication IPC-7351 may have alternate designs.
- 5. Solder mask tolerances between and around signal pads can vary based on board fabrication site.

# EXAMPLE STENCIL DESIGN

DBZ0003A

SOT-23 - 1.12 mm max height

SMALL OUTLINE TRANSISTOR



SOLDER PASTE EXAMPLE  
BASED ON 0.125 THICK STENCIL  
SCALE:15X

4214838/C 04/2017

NOTES: (continued)

6. Laser cutting apertures with trapezoidal walls and rounded corners may offer better paste release. IPC-7525 may have alternate design recommendations.
7. Board assembly site may have different recommendations for stencil design.



# EXAMPLE BOARD LAYOUT

DBV0005A

SOT-23 - 1.45 mm max height

SMALL OUTLINE TRANSISTOR



LAND PATTERN EXAMPLE  
EXPOSED METAL SHOWN  
SCALE:15X



SOLDER MASK DETAILS

4214839/D 11/2018

NOTES: (continued)

- 5. Publication IPC-7351 may have alternate designs.
- 6. Solder mask tolerances between and around signal pads can vary based on board fabrication site.

# EXAMPLE STENCIL DESIGN

DBV0005A

SOT-23 - 1.45 mm max height

SMALL OUTLINE TRANSISTOR



SOLDER PASTE EXAMPLE  
BASED ON 0.125 mm THICK STENCIL  
SCALE:15X

4214839/D 11/2018

NOTES: (continued)

7. Laser cutting apertures with trapezoidal walls and rounded corners may offer better paste release. IPC-7525 may have alternate design recommendations.
8. Board assembly site may have different recommendations for stencil design.

## GENERIC PACKAGE VIEW

LP 3

TO-92 - 5.34 mm max height

TRANSISTOR OUTLINE



Images above are just a representation of the package family, actual package may vary.  
Refer to the product data sheet for package details.

4040001-2/F

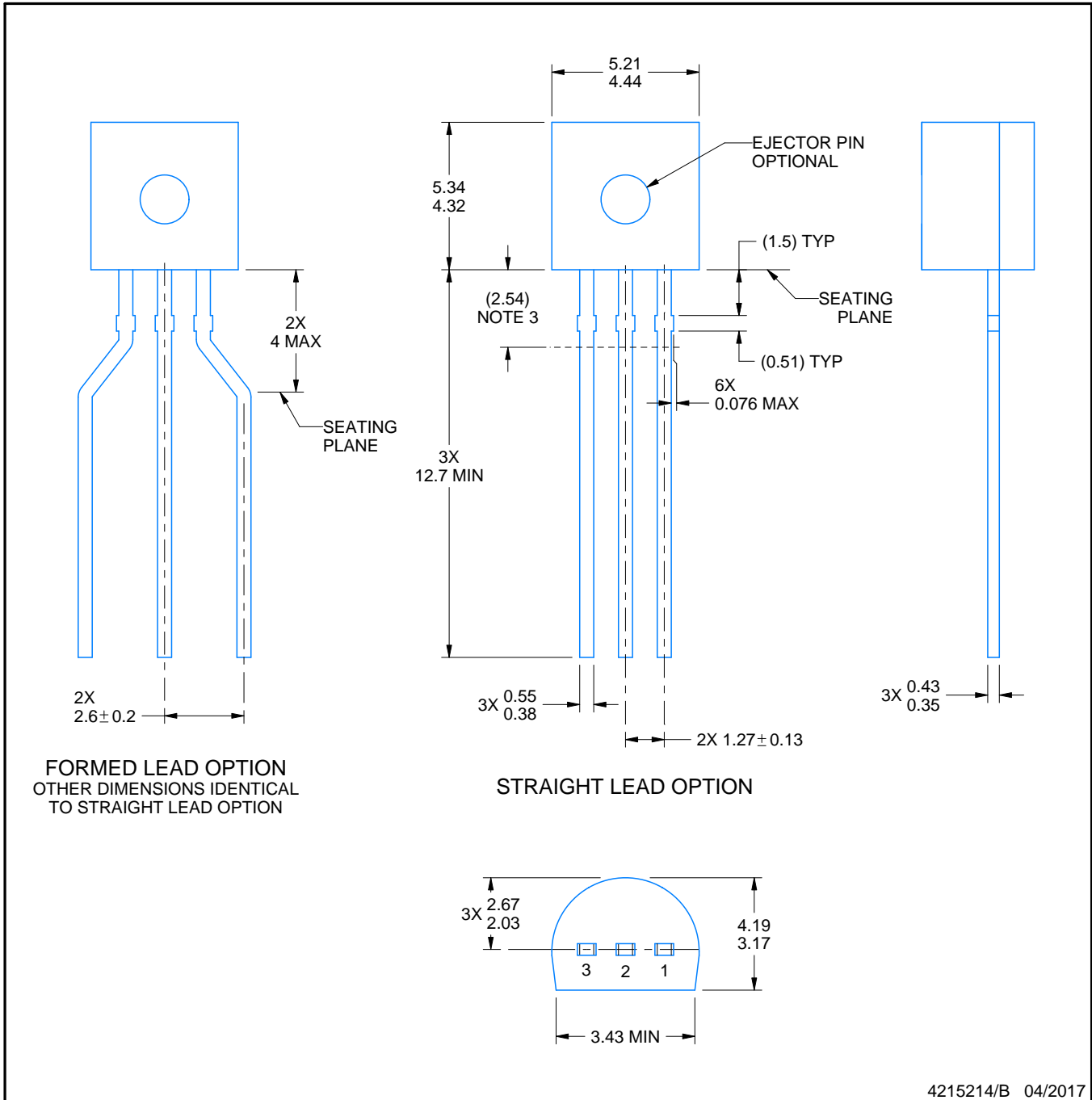
LP0003A



# PACKAGE OUTLINE

TO-92 - 5.34 mm max height

TO-92



4215214/B 04/2017

## NOTES:

1. All linear dimensions are in millimeters. Any dimensions in parenthesis are for reference only. Dimensioning and tolerancing per ASME Y14.5M.
2. This drawing is subject to change without notice.
3. Lead dimensions are not controlled within this area.
4. Reference JEDEC TO-226, variation AA.
5. Shipping method:
  - a. Straight lead option available in bulk pack only.
  - b. Formed lead option available in tape and reel or ammo pack.
  - c. Specific products can be offered in limited combinations of shipping medium and lead options.
  - d. Consult product folder for more information on available options.

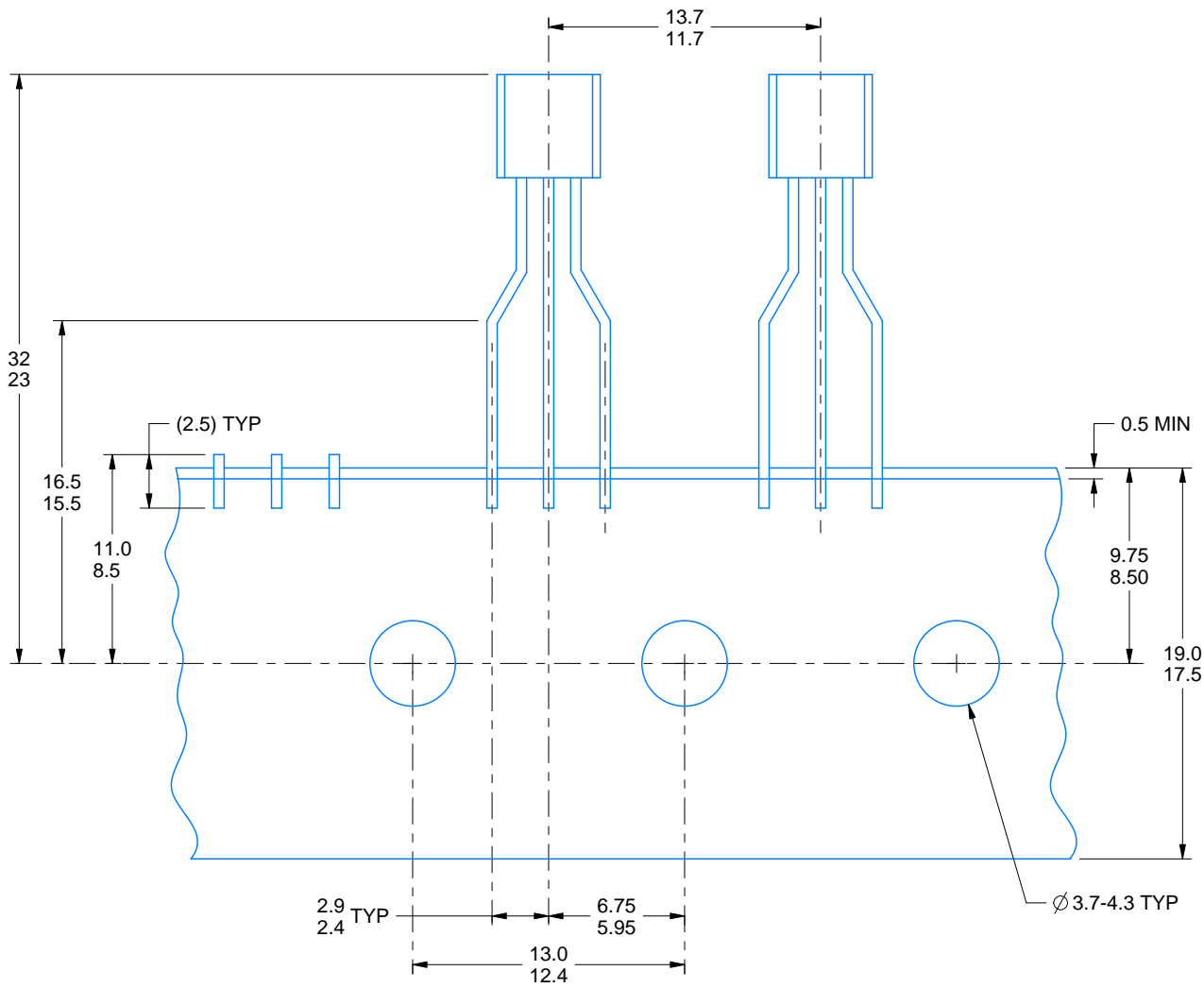


**TAPE SPECIFICATIONS**

**LP0003A**

**TO-92 - 5.34 mm max height**

TO-92



FOR FORMED LEAD OPTION PACKAGE

4215214/B 04/2017

## IMPORTANT NOTICE AND DISCLAIMER

TI PROVIDES TECHNICAL AND RELIABILITY DATA (INCLUDING DATASHEETS), DESIGN RESOURCES (INCLUDING REFERENCE DESIGNS), APPLICATION OR OTHER DESIGN ADVICE, WEB TOOLS, SAFETY INFORMATION, AND OTHER RESOURCES "AS IS" AND WITH ALL FAULTS, AND DISCLAIMS ALL WARRANTIES, EXPRESS AND IMPLIED, INCLUDING WITHOUT LIMITATION ANY IMPLIED WARRANTIES OF MERCHANTABILITY, FITNESS FOR A PARTICULAR PURPOSE OR NON-INFRINGEMENT OF THIRD PARTY INTELLECTUAL PROPERTY RIGHTS.

These resources are intended for skilled developers designing with TI products. You are solely responsible for (1) selecting the appropriate TI products for your application, (2) designing, validating and testing your application, and (3) ensuring your application meets applicable standards, and any other safety, security, or other requirements. These resources are subject to change without notice. TI grants you permission to use these resources only for development of an application that uses the TI products described in the resource. Other reproduction and display of these resources is prohibited. No license is granted to any other TI intellectual property right or to any third party intellectual property right. TI disclaims responsibility for, and you will fully indemnify TI and its representatives against, any claims, damages, costs, losses, and liabilities arising out of your use of these resources.

TI's products are provided subject to TI's Terms of Sale ([www.ti.com/legal/termsofsale.html](http://www.ti.com/legal/termsofsale.html)) or other applicable terms available either on [ti.com](http://ti.com) or provided in conjunction with such TI products. TI's provision of these resources does not expand or otherwise alter TI's applicable warranties or warranty disclaimers for TI products.

Mailing Address: Texas Instruments, Post Office Box 655303, Dallas, Texas 75265  
Copyright © 2019, Texas Instruments Incorporated

## Looking for pricing, stock, or lifecycle information?

Click below to explore more details on WIN SOURCE:

 [View LMV431IZ/NOPB on WIN SOURCE](#)

 [Texas Instruments](#) Information

## Optimize Your Supply Chain with WIN SOURCE Solutions

-  Global Sourcing Solution
-  Obsolete Management
-  Cost Control Management
-  Shortage Management
-  Alternative Solution
-  Excess Inventory Management