



**THE DATASHEET OF
LMH6551QMMX/NOPB**



LMH6551Q Differential, High Speed Op Amp

Check for Samples: [LMH6551Q](#)

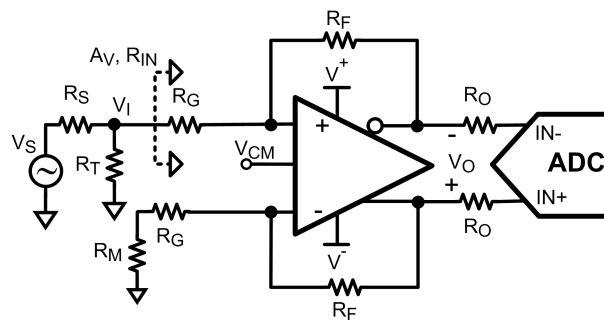
FEATURES

- 370 MHz –3 dB Bandwidth ($V_{OUT} = 0.5 V_{PP}$)
- 50 MHz 0.1 dB Bandwidth
- 2400 V/ μ s Slew Rate
- 18 ns Settling Time to 0.05%
- –94/–96 dB HD2/HD3 @ 5 MHz
- LMH6551Q is AEC-Q100 Grade 1 Qualified and is Manufactured on an Automotive Grade Flow

APPLICATIONS

- Differential AD Driver
- Video Over Twisted Pair
- Differential Line Driver
- Single End to Differential Converter
- High Speed Differential Signaling
- IF/RF Amplifier
- SAW Filter Buffer/Driver
- Automotive

Typical Application


For $R_M \ll R_G$:

$$A_v = \frac{V_O}{V_I} \approx \frac{R_F}{R_G}$$

$$R_{IN} \approx \frac{2R_G(1 + A_v)}{2 + A_v}$$

DesignTarget :

- 1) Set $R_T = \frac{1}{\frac{1}{R_S} - \frac{1}{R_{IN}}}$
- 2) Set $R_M = R_T \parallel R_S$

DESCRIPTION

The LMHTM6551Q is a high performance voltage feedback differential amplifier. The LMH6551Q has the high speed and low distortion necessary for driving high performance ADCs as well as the current handling capability to drive signals over balanced transmission lines like CAT 5 data cables. The LMH6551Q can handle a wide range of video and data formats.

With external gain set resistors, the LMH6551Q can be used at any desired gain. Gain flexibility coupled with high speed makes the LMH6551Q suitable for use as an IF amplifier in high performance communications equipment.

The LMH6551Q is available in the VSSOP package.

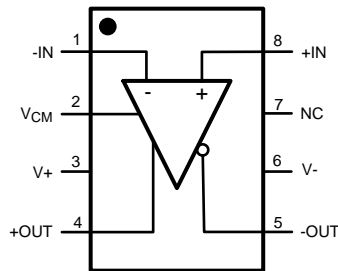


Please be aware that an important notice concerning availability, standard warranty, and use in critical applications of Texas Instruments semiconductor products and disclaimers thereto appears at the end of this data sheet.

LMH is a trademark of Texas Instruments.

All other trademarks are the property of their respective owners.

Connection Diagram



**Figure 1. Top View
8-Pin VSSOP
See Package Number DGK**



These devices have limited built-in ESD protection. The leads should be shorted together or the device placed in conductive foam during storage or handling to prevent electrostatic damage to the MOS gates.

Absolute Maximum Ratings ⁽¹⁾⁽²⁾

| | | |
|--|------------------|----------------|
| ESD Tolerance ⁽³⁾ | Human Body Model | 2000V |
| | Machine Model | 200V |
| Supply Voltage | | 13.2V |
| Common Mode Input Voltage | | ±Vs |
| Maximum Input Current (pins 1, 2, 7, 8) | | 30mA |
| Maximum Output Current (pins 4, 5) | | ⁽⁴⁾ |
| Maximum Junction Temperature | | 150°C |
| Soldering Information: http://www.ti.com/lit/SNOA549 | | |

- (1) Absolute Maximum Ratings indicate limits beyond which damage to the device may occur. Operating Ratings indicate conditions for which the device is intended to be functional, but specific performance is not ensured. For ensured specifications, see the Electrical Characteristics tables.
- (2) If Military/Aerospace specified devices are required, please contact the Texas Instruments Sales Office/ Distributors for availability and specifications.
- (3) Human body model: 1.5 kΩ in series with 100 pF. Machine model: 0Ω in series with 200pF.
- (4) The maximum output current (I_{OUT}) is determined by device power dissipation limitations.

Operating Ratings ⁽¹⁾

| | |
|---|-----------------|
| Operating Temperature Range | -40°C to +125°C |
| Storage Temperature Range | -65°C to +150°C |
| Total Supply Voltage | 3V to 11V |
| Package Thermal Resistance (θ _{JA}) ⁽²⁾ 8-Pin VSSOP | 159°C/W |

- (1) Absolute Maximum Ratings indicate limits beyond which damage to the device may occur. Operating Ratings indicate conditions for which the device is intended to be functional, but specific performance is not ensured. For ensured specifications, see the Electrical Characteristics tables.
- (2) The maximum power dissipation is a function of T_{J(MAX)}, θ_{JA} and T_A. The maximum allowable power dissipation at any ambient temperature is P_D = (T_{J(MAX)} - T_A) / θ_{JA}. All numbers apply for package soldered directly into a 4 layer PC board with zero air flow.

±5V Electrical Characteristics ⁽¹⁾

Single ended in differential out, $T_A = 25^\circ\text{C}$, $G = +1$, $V_S = \pm 5\text{V}$, $V_{CM} = 0\text{V}$, $R_F = R_G = 365\Omega$, $R_L = 500\Omega$; Unless specified **Boldface** limits apply at the temperature extremes.

| Symbol | Parameter | Conditions | Min ⁽²⁾ | Typ ⁽³⁾ | Max ⁽²⁾ | Units |
|---|--|--|--------------------|--------------------|--|------------------------------|
| AC Performance (Differential) | | | | | | |
| SSBW | Small Signal -3 dB Bandwidth | $V_{OUT} = 0.5 V_{PP}$ | | 370 | | MHz |
| LSBW | Large Signal -3 dB Bandwidth | $V_{OUT} = 2 V_{PP}$ | | 340 | | MHz |
| | Large Signal -3 dB Bandwidth | $V_{OUT} = 4 V_{PP}$ | | 320 | | MHz |
| | 0.1 dB Bandwidth | $V_{OUT} = 2 V_{PP}$ | | 50 | | MHz |
| | Slew Rate | 4V Step ⁽⁴⁾ | | 2400 | | V/ μs |
| | Rise/Fall Time | 2V Step | | 1.8 | | ns |
| | Settling Time | 2V Step, 0.05% | | 18 | | ns |
| V_{CM} Pin AC Performance (Common Mode Feedback Amplifier) | | | | | | |
| | Common Mode Small Signal Bandwidth | V_{CM} bypass capacitor removed | | 200 | | MHz |
| Distortion and Noise Response | | | | | | |
| HD2 | | $V_O = 2 V_{PP}$, $f = 5\text{ MHz}$, $R_L = 800\Omega$ | | -94 | | dBc |
| HD2 | | $V_O = 2 V_{PP}$, $f = 20\text{ MHz}$, $R_L = 800\Omega$ | | -85 | | dBc |
| HD3 | | $V_O = 2 V_{PP}$, $f = 5\text{ MHz}$, $R_L = 800\Omega$ | | -96 | | dBc |
| HD3 | | $V_O = 2 V_{PP}$, $f = 20\text{ MHz}$, $R_L = 800\Omega$ | | -72 | | dBc |
| e_n | Input Referred Voltage Noise | Freq $\geq 1\text{ MHz}$ | | 6.0 | | nV/ $\sqrt{\text{Hz}}$ |
| i_n | Input Referred Noise Current | Freq $\geq 1\text{ MHz}$ | | 1.5 | | pA/ $\sqrt{\text{Hz}}$ |
| Input Characteristics (Differential) | | | | | | |
| V_{OSD} | Input Offset Voltage | Differential Mode, $V_{ID} = 0$, $V_{CM} = 0$ | | 0.5 | ± 4 ± 6 | mV |
| | Input Offset Voltage Average Temperature Drift | ⁽⁵⁾ | | -0.8 | | $\mu\text{V}/^\circ\text{C}$ |
| I_{BI} | Input Bias Current | ⁽⁶⁾ | | -4 | 0 -10 | μA |
| | Input Bias Current Average Temperature Drift | ⁽⁵⁾ | | -2.6 | | nA/ $^\circ\text{C}$ |
| | Input Bias Difference | Difference in Bias currents between the two inputs | | 0.03 | | μA |
| CMRR | Common Mode Rejection Ratio | DC, $V_{CM} = 0\text{V}$, $V_{ID} = 0\text{V}$ | 70 | 80 | | dBc |
| R_{IN} | Input Resistance | Differential | | 5 | | M Ω |
| C_{IN} | Input Capacitance | Differential | | 1 | | pF |
| CMVR | Input Common Mode Voltage Range | CMRR > 53dB | +3.1 -4.6 | +3.2 -4.7 | | V |

- (1) Electrical Table values apply only for factory testing conditions at the temperature indicated. Factory testing conditions result in very limited self-heating of the device such that $T_J = T_A$. No specification of parametric performance is indicated in the electrical tables under conditions of internal self-heating where $T_J > T_A$.
- (2) Limits are 100% production tested at 25°C . Limits over the operating temperature range are ensured through correlation using Statistical Quality Control (SQC) methods.
- (3) Typical numbers are the most likely parametric norm.
- (4) Slew Rate is the average of the rising and falling edges.
- (5) Drift determined by dividing the change in parameter at temperature extremes by the total temperature change.
- (6) Negative input current implies current flowing out of the device.

±5V Electrical Characteristics ⁽¹⁾ (continued)

Single ended in differential out, $T_A = 25^\circ\text{C}$, $G = +1$, $V_S = \pm 5\text{V}$, $V_{CM} = 0\text{V}$, $R_F = R_G = 365\Omega$, $R_L = 500\Omega$; Unless specified **Boldface** limits apply at the temperature extremes.

| Symbol | Parameter | Conditions | Min ⁽²⁾ | Typ ⁽³⁾ | Max ⁽²⁾ | Units |
|--|--|---|------------------------------|--------------------|------------------------|-------|
| V_{CM} Pin Input Characteristics (Common Mode Feedback Amplifier) | | | | | | |
| V _{OSC} | Input Offset Voltage | Common Mode, V _{ID} = 0 | | 0.5 | ±5 ±8 | mV |
| | Input Offset Voltage Average Temperature Drift | (7) | | 8.2 | | μV/°C |
| | Input Bias Current | (8) | | -2 | | μA |
| | V _{CM} CMRR | V _{ID} = 0V, 1V step on V _{CM} pin, measure V _{OD} | 70 | 75 | | dB |
| | Input Resistance | | | 25 | | kΩ |
| | Common Mode Gain | ΔV _{O,CM} /ΔV _{CM} | 0.995 | 0.999 | 1.005 | V/V |
| Output Performance | | | | | | |
| | Output Voltage Swing | Single Ended, Peak to Peak | ±7.38 ±7.18 | ±7.8 | | V |
| | Output Common Mode Voltage Range | V _{ID} = 0 V, | ±3.69 | ±3.8 | | V |
| I _{OUT} | Linear Output Current | V _{OUT} = 0V | ±50 | ±65 | | mA |
| I _{SC} | Short Circuit Current | Output Shorted to Ground V _{IN} = 3V Single Ended ⁽⁹⁾ | | 140 | | mA |
| | Output Balance Error | ΔV _{OUT} Common Mode / ΔV _{OUT} Differential, V _{OUT} = 0.5 V _{pp} Differential, f = 10 MHz | | -70 | | dB |
| Miscellaneous Performance | | | | | | |
| A _{VOL} | Open Loop Gain | Differential | | 70 | | dB |
| PSRR | Power Supply Rejection Ratio | DC, ΔV _S = ±1V | 71 | 90 | | dB |
| | Supply Current | R _L = ∞ | 11 | 12.5 | 14.5 16.5 | mA |

(7) Drift determined by dividing the change in parameter at temperature extremes by the total temperature change.

(8) Negative input current implies current flowing out of the device.

(9) The maximum output current (I_{OUT}) is determined by device power dissipation limitations.

5V Electrical Characteristics ⁽¹⁾

Single ended in differential out, $T_A = 25^\circ\text{C}$, $G = +1$, $V_S = 5\text{V}$, $V_{CM} = 2.5\text{V}$, $R_F = R_G = 365\Omega$, $R_L = 500\Omega$; Unless specified **Boldface** limits apply at the temperature extremes.

| Symbol | Parameter | Conditions | Min ⁽²⁾ | Typ ⁽³⁾ | Max ⁽²⁾ | Units |
|---|------------------------------------|---|--------------------|--------------------|--------------------|-------|
| SSBW | Small Signal -3 dB Bandwidth | R _L = 500Ω, V _{OUT} = 0.5 V _{PP} | | 350 | | MHz |
| LSBW | Large Signal -3 dB Bandwidth | R _L = 500Ω, V _{OUT} = 2 V _{PP} | | 300 | | MHz |
| | 0.1 dB Bandwidth | V _{OUT} = 2 V _{PP} | | 50 | | MHz |
| | Slew Rate | 4V Step ⁽⁴⁾ | | 1800 | | V/μs |
| | Rise/Fall Time, 10% to 90% | 4V Step | | 2 | | ns |
| | Settling Time | 4V Step, 0.05% | | 17 | | ns |
| V_{CM} Pin AC Performance (Common Mode Feedback Amplifier) | | | | | | |
| | Common Mode Small Signal Bandwidth | | | 170 | | MHz |

(1) Electrical Table values apply only for factory testing conditions at the temperature indicated. Factory testing conditions result in very limited self-heating of the device such that $T_J = T_A$. No specification of parametric performance is indicated in the electrical tables under conditions of internal self-heating where $T_J > T_A$.

(2) Limits are 100% production tested at 25°C. Limits over the operating temperature range are ensured through correlation using Statistical Quality Control (SQC) methods.

(3) Typical numbers are the most likely parametric norm.

(4) Slew Rate is the average of the rising and falling edges.

5V Electrical Characteristics ⁽¹⁾ (continued)

Single ended in differential out, $T_A = 25^\circ\text{C}$, $G = +1$, $V_S = 5\text{V}$, $V_{CM} = 2.5\text{V}$, $R_F = R_G = 365\Omega$, $R_L = 500\Omega$; Unless specified **Boldface** limits apply at the temperature extremes.

| Symbol | Parameter | Conditions | Min ⁽²⁾ | Typ ⁽³⁾ | Max ⁽²⁾ | Units |
|---|--|---|--------------------|--------------------|--------------------------------------|------------------------------|
| Distortion and Noise Response | | | | | | |
| HD2 | 2 nd Harmonic Distortion | $V_O = 2 V_{PP}$, $f = 5\text{ MHz}$, $R_L = 800\Omega$ | | -84 | | dBc |
| HD2 | | $V_O = 2 V_{PP}$, $f = 20\text{ MHz}$, $R_L = 800\Omega$ | | -69 | | dBc |
| HD3 | 3 rd Harmonic Distortion | $V_O = 2 V_{PP}$, $f = 5\text{ MHz}$, $R_L = 800\Omega$ | | -93 | | dBc |
| HD3 | | $V_O = 2 V_{PP}$, $f = 20\text{ MHz}$, $R_L = 800\Omega$ | | -67 | | dBc |
| e_n | Input Referred Noise Voltage | Freq $\geq 1\text{ MHz}$ | | 6.0 | | nV/ $\sqrt{\text{Hz}}$ |
| i_n | Input Referred Noise Current | Freq $\geq 1\text{ MHz}$ | | 1.5 | | pA/ $\sqrt{\text{Hz}}$ |
| Input Characteristics (Differential) | | | | | | |
| V_{OSD} | Input Offset Voltage | Differential Mode, $V_{ID} = 0$, $V_{CM} = 0$ | | 0.5 | ± 4 ± 6 | mV |
| | Input Offset Voltage Average Temperature Drift | ⁽⁵⁾ | | -0.8 | | $\mu\text{V}/^\circ\text{C}$ |
| I_{BIAS} | Input Bias Current | ⁽⁶⁾ | | -4 | 0 -10 | μA |
| | Input Bias Current Average Temperature Drift | ⁽⁵⁾ | | -3 | | nA/ $^\circ\text{C}$ |
| | Input Bias Current Difference | Difference in Bias currents between the two inputs | | 0.03 | | μA |
| CMRR | Common-Mode Rejection Ratio | DC, $V_{ID} = 0\text{V}$ | 70 | 78 | | dBc |
| | Input Resistance | Differential | | 5 | | M Ω |
| | Input Capacitance | Differential | | 1 | | pF |
| V_{ICM} | Input Common Mode Range | CMRR > 53 dB | +3.1 +0.4 | +3.2 +0.3 | | |
| V_{CM} Pin Input Characteristics (Common Mode Feedback Amplifier) | | | | | | |
| | Input Offset Voltage | Common Mode, $V_{ID} = 0$ | | 0.5 | ± 5 ± 8 | mV |
| | Input Offset Voltage Average Temperature Drift | | | 5.8 | | $\mu\text{V}/^\circ\text{C}$ |
| | Input Bias Current | | | 3 | | μA |
| | V_{CM} CMRR | $V_{ID} = 0$, 1V step on V_{CM} pin, measure V_{OD} | 70 | 75 | | dB |
| | Input Resistance | V_{CM} pin to ground | | 25 | | k Ω |
| | Common Mode Gain | $\Delta V_{O,CM}/\Delta V_{CM}$ | 0.995 | 0.999 | 1.005 | V/V |
| Output Performance | | | | | | |
| V_{OUT} | Output Voltage Swing | Single Ended, Peak to Peak, $V_S = \pm 2.5\text{V}$, $V_{CM} = 0\text{V}$ | ± 2.4 | ± 2.8 | | V |
| I_{OUT} | Linear Output Current | $V_{OUT} = 0\text{V}$ Differential | ± 45 | ± 60 | | mA |
| I_{SC} | Output Short Circuit Current | Output Shorted to Ground $V_{IN} = 3\text{V}$ Single Ended ⁽⁷⁾ | | 230 | | mA |
| CMVR | Output Common Mode Voltage Range | $V_{ID} = 0$, $V_{CMpin} = 1.2\text{V}$ and 3.8V | 1.23 3.72 | 1.20 3.80 | | V |
| | Output Balance Error | $\Delta V_{OUT-Common Mode} / \Delta V_{OUT-Differential}$, $V_{OUT} = 1\text{Vpp}$ Differential, $f = 10\text{ MHz}$ | | -65 | | dB |
| Miscellaneous Performance | | | | | | |
| | Open Loop Gain | DC, Differential | | 70 | | dB |
| PSRR | Power Supply Rejection Ratio | DC, $\Delta V_S = \pm 0.5\text{V}$ | 71 | 88 | | dB |
| I_S | Supply Current | $R_L = \infty$ | 10 | 11.5 | 13.5 15.5 | mA |

(5) Drift determined by dividing the change in parameter at temperature extremes by the total temperature change.

(6) Negative input current implies current flowing out of the device.

(7) The maximum output current (I_{OUT}) is determined by device power dissipation limitations.

3.3V Electrical Characteristics ⁽¹⁾

Single ended in differential out, $T_A = 25^\circ\text{C}$, $G = +1$, $V_S = 3.3\text{V}$, $V_{CM} = 1.65\text{V}$, $R_F = R_G = 365\Omega$, $R_L = 500\Omega$; Unless specified **Boldface** limits apply at the temperature extremes.

| Symbol | Parameter | Conditions | Min ⁽²⁾ | Typ ⁽³⁾ | Max ⁽²⁾ | Units |
|--|-------------------------------------|---|--------------------|--------------------|--------------------|------------------|
| SSBW | Small Signal -3 dB Bandwidth | $R_L = 500\Omega$, $V_{OUT} = 0.5 V_{PP}$ | | 320 | | MHz |
| LSBW | Large Signal -3 dB Bandwidth | $R_L = 500\Omega$, $V_{OUT} = 1 V_{PP}$ | | 300 | | MHz |
| | Slew Rate | 1V Step ⁽⁴⁾ | | 700 | | V/ μs |
| | Rise/Fall Time, 10% to 90% | 1V Step | | 2 | | ns |
| V_{CM} Pin AC Performance (Common Mode Feedback Amplifier) | | | | | | |
| | Common Mode Small Signal Bandwidth | | | 95 | | MHz |
| Distortion and Noise Response | | | | | | |
| HD2 | 2 nd Harmonic Distortion | $V_O = 1 V_{PP}$, $f = 5 \text{ MHz}$, $R_L = 800\Omega$ | | -93 | | dBc |
| HD2 | | $V_O = 1 V_{PP}$, $f = 20 \text{ MHz}$, $R_L = 800\Omega$ | | -74 | | dBc |
| HD3 | 3 rd Harmonic Distortion | $V_O = 1 V_{PP}$, $f = 5 \text{ MHz}$, $R_L = 800\Omega$ | | -85 | | dBc |
| HD3 | | $V_O = 1 V_{PP}$, $f = 20 \text{ MHz}$, $R_L = 800\Omega$ | | -69 | | dBc |

- (1) Electrical Table values apply only for factory testing conditions at the temperature indicated. Factory testing conditions result in very limited self-heating of the device such that $T_J = T_A$. No specification of parametric performance is indicated in the electrical tables under conditions of internal self-heating where $T_J > T_A$.
- (2) Limits are 100% production tested at 25°C . Limits over the operating temperature range are ensured through correlation using Statistical Quality Control (SQC) methods.
- (3) Typical numbers are the most likely parametric norm.
- (4) Slew Rate is the average of the rising and falling edges.

3.3V Electrical Characteristics ⁽¹⁾ (continued)

Single ended in differential out, $T_A = 25^\circ\text{C}$, $G = +1$, $V_S = 3.3\text{V}$, $V_{CM} = 1.65\text{V}$, $R_F = R_G = 365\Omega$, $R_L = 500\Omega$; Unless specified **Boldface** limits apply at the temperature extremes.

| Symbol | Parameter | Conditions | Min ⁽²⁾ | Typ ⁽³⁾ | Max ⁽²⁾ | Units |
|---|--|--|--------------------|--------------------|--------------------|------------------------------|
| Input Characteristics (Differential) | | | | | | |
| V_{OSD} | Input Offset Voltage | Differential Mode, $V_{ID} = 0$, $V_{CM} = 0$ | | 1 | | mV |
| | Input Offset Voltage Average Temperature Drift | ⁽⁵⁾ | | 1.6 | | $\mu\text{V}/^\circ\text{C}$ |
| I_{BIAS} | Input Bias Current | ⁽⁶⁾ | | -8 | | μA |
| | Input Bias Current Average Temperature Drift | ⁽⁵⁾ | | 9.5 | | $\text{nA}/^\circ\text{C}$ |
| | Input Bias Current Difference | Difference in Bias currents between the two inputs | | 0.3 | | μA |
| CMRR | Common-Mode Rejection Ratio | DC, $V_{ID} = 0\text{V}$ | | 78 | | dBc |
| | Input Resistance | Differential | | 5 | | M Ω |
| | Input Capacitance | Differential | | 1 | | pF |
| V_{ICM} | Input Common Mode Range | CMRR > 53 dB | | +1.5 +0.3 | | |
| V_{CM} Pin Input Characteristics (Common Mode Feedback Amplifier) | | | | | | |
| | Input Offset Voltage | Common Mode, $V_{ID} = 0$ | | 1 | ± 5 | mV |
| | Input Offset Voltage Average Temperature Drift | | | 18.6 | | $\mu\text{V}/^\circ\text{C}$ |
| | Input Bias Current | | | 3 | | μA |
| | V_{CM} CMRR | $V_{ID} = 0$, 1V step on V_{CM} pin, measure V_{OD} | | 60 | | dB |
| | Input Resistance | V_{CM} pin to ground | | 25 | | k Ω |
| | Common Mode Gain | $\Delta V_{O,CM}/\Delta V_{CM}$ | | 0.999 | | V/V |
| Output Performance | | | | | | |
| V_{OUT} | Output Voltage Swing | Single Ended, Peak to Peak, $V_S = 3.3\text{V}$, $V_{CM} = 1.65\text{V}$ | ± 0.75 | ± 0.9 | | V |
| I_{OUT} | Linear Output Current | $V_{OUT} = 0\text{V}$ Differential | ± 30 | ± 40 | | mA |
| I_{SC} | Output Short Circuit Current | Output Shorted to Ground $V_{IN} = 2\text{V}$ Single Ended ⁽⁷⁾ | | 200 | | mA |
| CMVR | Output Common Mode Voltage Range | $V_{ID} = 0$, $V_{CMpin} = 1.2\text{V}$ and 2.1V | | 2.1 1.2 | | V |
| | Output Balance Error | $\Delta V_{OUT-Common Mode} / \Delta V_{OUT-Differential}$, $V_{OUT} = 1\text{Vpp}$ Differential, $f = 10\text{MHz}$ | | -65 | | dB |
| Miscellaneous Performance | | | | | | |
| | Open Loop Gain | DC, Differential | | 70 | | dB |
| PSRR | Power Supply Rejection Ratio | DC, $\Delta V_S = \pm 0.5\text{V}$ | | 75 | | dB |
| I_S | Supply Current | $R_L = \infty$ | | 8 | | mA |

(5) Drift determined by dividing the change in parameter at temperature extremes by the total temperature change.

(6) Negative input current implies current flowing out of the device.

(7) The maximum output current (I_{OUT}) is determined by device power dissipation limitations.

Typical Performance Characteristics

($T_A = 25^\circ\text{C}$, $V_S = \pm 5\text{V}$, $R_L = 500\Omega$, $R_F = R_G = 365\Omega$; Unless Specified).

Frequency Response vs. Supply Voltage

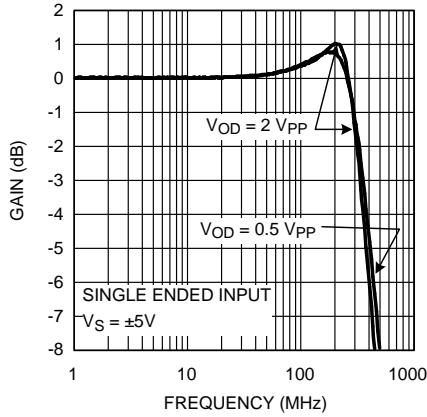


Figure 2.

Frequency Response

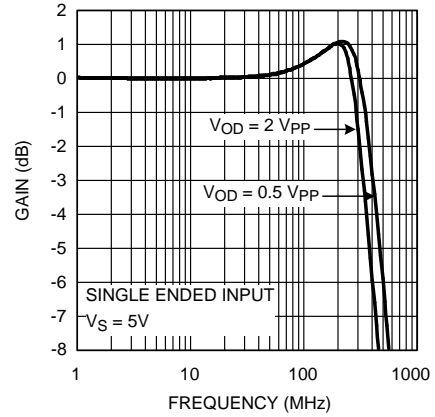


Figure 3.

Frequency Response vs. V_OUT

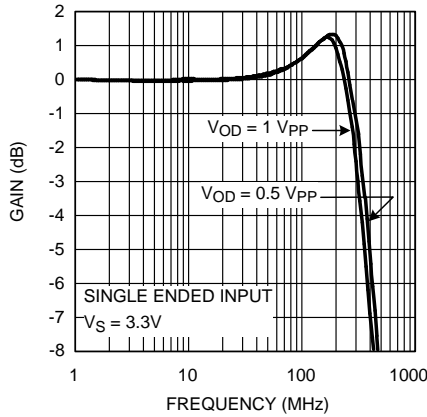


Figure 4.

Frequency Response vs. Capacitive Load

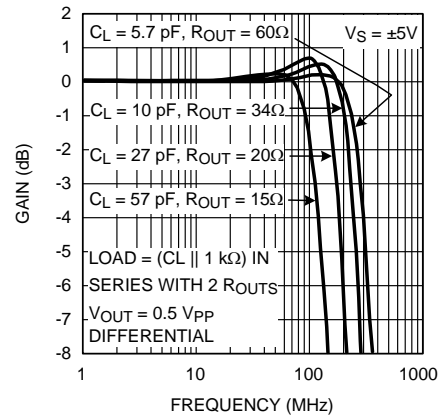


Figure 5.

Suggested R_OUT vs. Cap Load

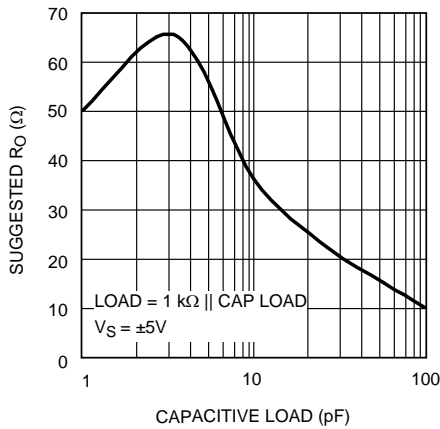


Figure 6.

Suggested R_OUT vs. Cap Load

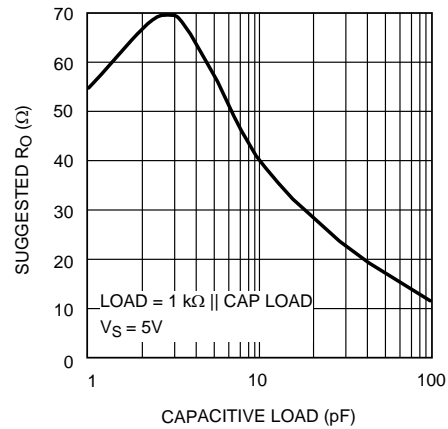


Figure 7.

Typical Performance Characteristics (continued)

($T_A = 25^\circ\text{C}$, $V_S = \pm 5\text{V}$, $R_L = 500\Omega$, $R_F = R_G = 365\Omega$; Unless Specified).

1 V_{PP} Pulse Response Single Ended Input

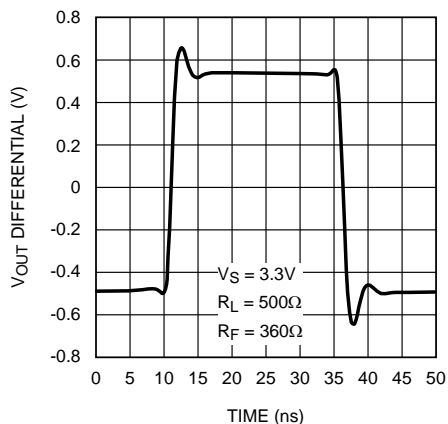


Figure 8.

2 V_{PP} Pulse Response Single Ended Input

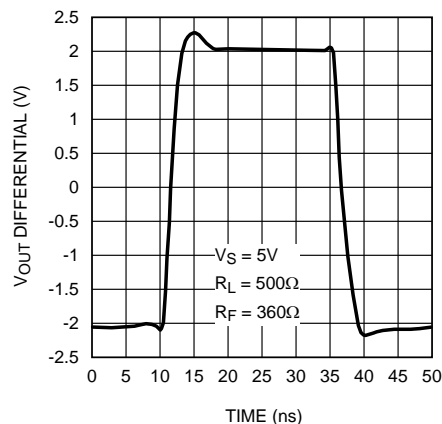


Figure 9.

Large Signal Pulse Response

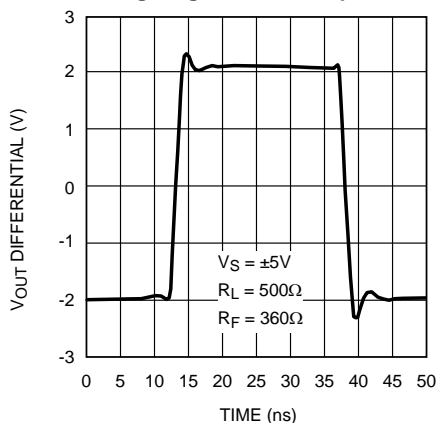


Figure 10.

Output Common Mode Pulse Response

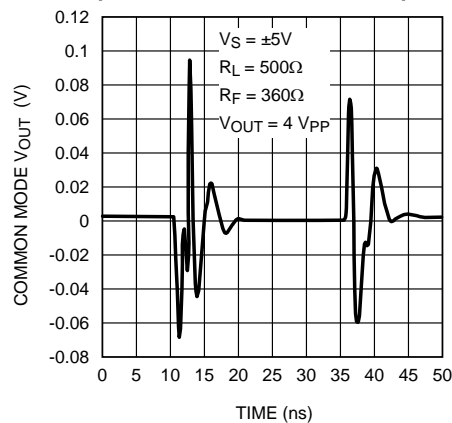


Figure 11.

Distortion vs. Frequency

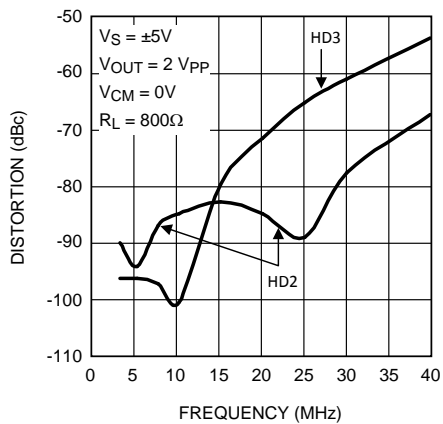


Figure 12.

Distortion vs. Frequency

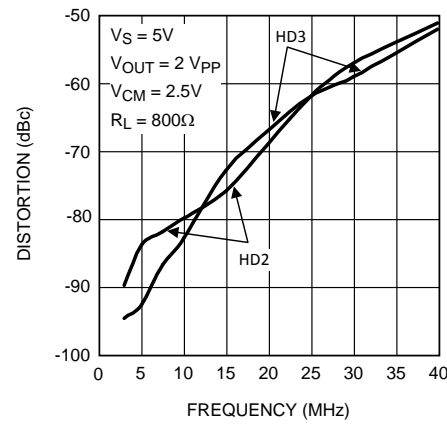


Figure 13.

Typical Performance Characteristics (continued)

($T_A = 25^\circ\text{C}$, $V_S = \pm 5\text{V}$, $R_L = 500\Omega$, $R_F = R_G = 365\Omega$; Unless Specified).

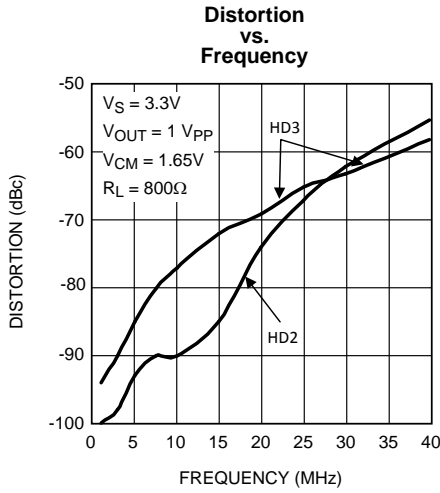


Figure 14.

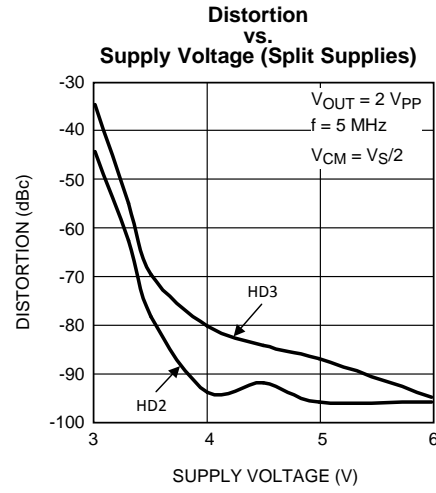


Figure 15.

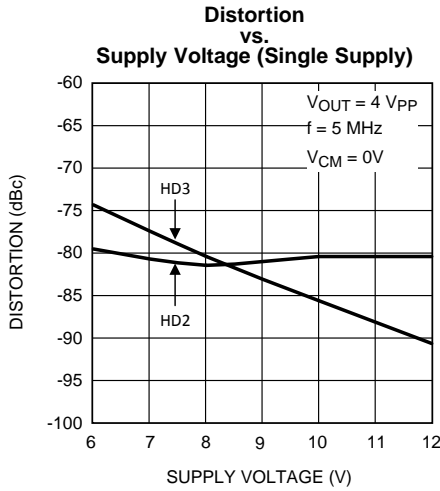


Figure 16.

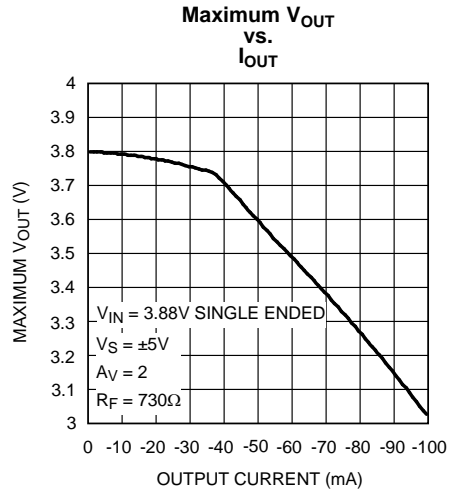


Figure 17.

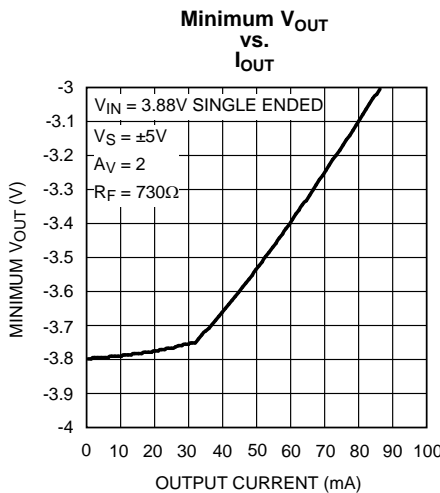


Figure 18.

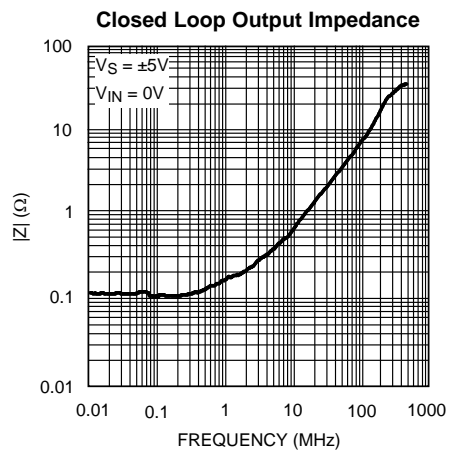


Figure 19.

Typical Performance Characteristics (continued)

($T_A = 25^\circ\text{C}$, $V_S = \pm 5\text{V}$, $R_L = 500\Omega$, $R_F = R_G = 365\Omega$; Unless Specified).

Closed Loop Output Impedance

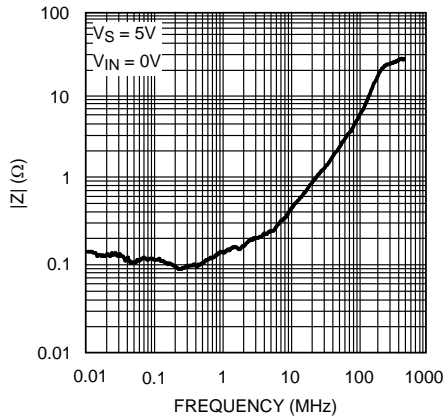


Figure 20.

Closed Loop Output Impedance

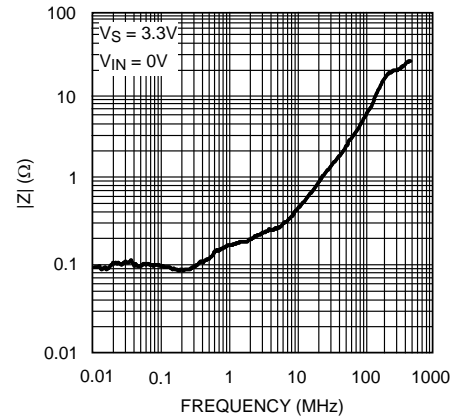


Figure 21.

PSRR

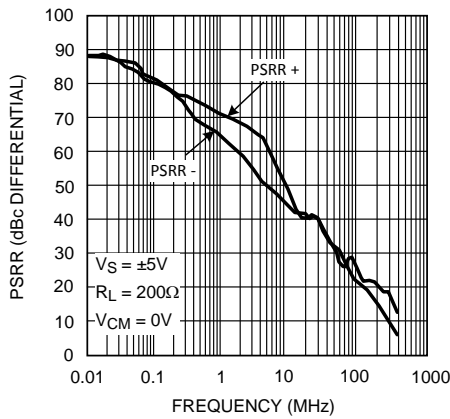


Figure 22.

PSRR

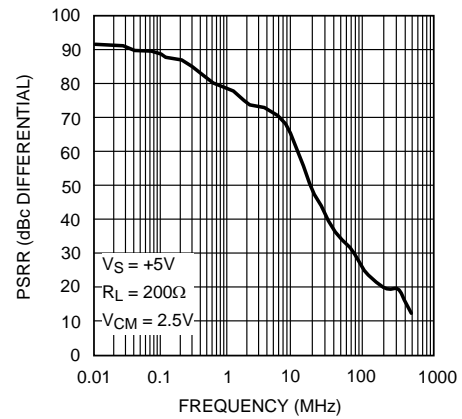


Figure 23.

CMRR

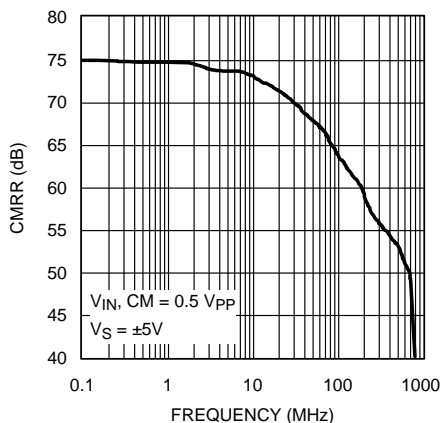


Figure 24.

Balance Error

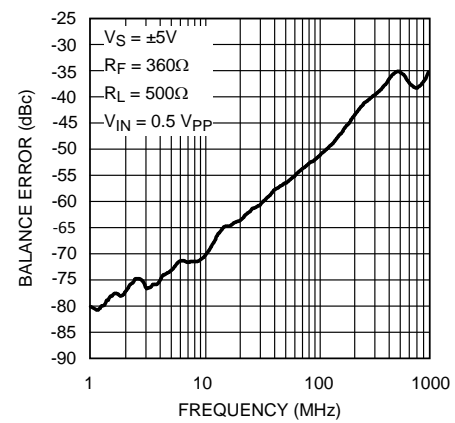


Figure 25.

APPLICATION SECTION

The LMH6551Q is a fully differential amplifier designed to provide low distortion amplification to wide bandwidth differential signals. The LMH6551Q, though fully integrated for ultimate balance and distortion performance, functionally provides three channels. Two of these channels are the V^+ and V^- signal path channels, which function similarly to inverting mode operational amplifiers and are the primary signal paths. The third channel is the common mode feedback circuit. This is the circuit that sets the output common mode as well as driving the V^+ and V^- outputs to be equal magnitude and opposite phase, even when only one of the two input channels is driven. The common mode feedback circuit allows single ended to differential operation.

The LMH6551Q is a voltage feedback amplifier with gain set by external resistors. Output common mode voltage is set by the V_{CM} pin. This pin should be driven by a low impedance reference and should be bypassed to ground with a 0.1 μF ceramic capacitor. Any signal coupling into the V_{CM} will be passed along to the output and will reduce the dynamic range of the amplifier.

FULLY DIFFERENTIAL OPERATION

The LMH6551Q will perform best when used with split supplies and in a fully differential configuration. See [Figure 26](#) and [Figure 27](#) for recommended circuits.

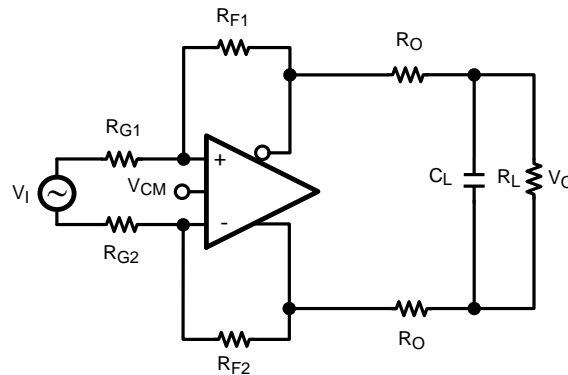
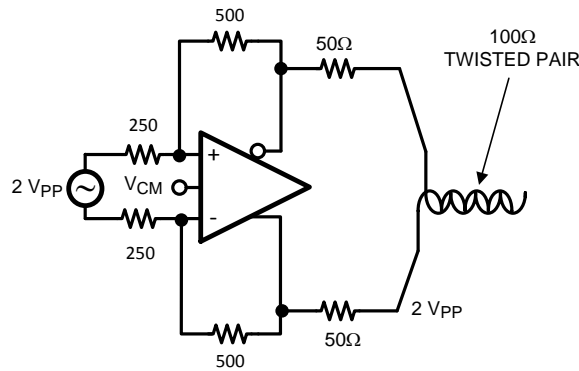


Figure 26. Typical Application

The circuit shown in [Figure 26](#) is a typical fully differential application as might be used to drive an ADC. In this circuit closed loop gain, $(A_V) = V_{OUT}/V_{IN} = R_F/R_G$. For all the applications in this data sheet V_{IN} is presumed to be the voltage presented to the circuit by the signal source. For differential signals this will be the difference of the signals on each input (which will be double the magnitude of each individual signal), while in single ended inputs it will just be the driven input signal.

The resistors R_O help keep the amplifier stable when presented with a load C_L as is typical in an analog to digital converter (ADC). When fed with a differential signal, the LMH6551 provides excellent distortion, balance and common mode rejection provided the resistors R_F , R_G and R_O are well matched and strict symmetry is observed in board layout. With a DC CMRR of over 80dB, the DC and low frequency CMRR of most circuits will be dominated by the external resistors and board trace resistance. At higher frequencies board layout symmetry becomes a factor as well. Precision resistors of at least 0.1% accuracy are recommended and careful board layout will also be required.



GAIN = 2

Figure 27. Fully Differential Cable Driver

With up to 15 V_{PP} differential output voltage swing and 80 mA of linear drive current the LMH6551Q makes an excellent cable driver as shown in Figure 27. The LMH6551Q is also suitable for driving differential cables from a single ended source.

The LMH6551Q requires supply bypassing capacitors as shown in Figure 28 and Figure 29. The 0.01 μF and 0.1 μF capacitors should be leadless SMT ceramic capacitors and should be no more than 3 mm from the supply pins. The SMT capacitors should be connected directly to a ground plane. Thin traces or small vias will reduce the effectiveness of bypass capacitors. Also shown in both figures is a capacitor from the V_{CM} pin to ground. The V_{CM} pin is a high impedance input to a buffer which sets the output common mode voltage. Any noise on this input is transferred directly to the output. Output common mode noise will result in loss of dynamic range, degraded CMRR, degraded Balance and higher distortion. The V_{CM} pin should be bypassed even if the pin is not used. There is an internal resistive divider on chip to set the output common mode voltage to the mid point of the supply pins. The impedance looking into this pin is approximately 25 kΩ. If a different output common mode voltage is desired drive this pin with a clean, accurate voltage reference.

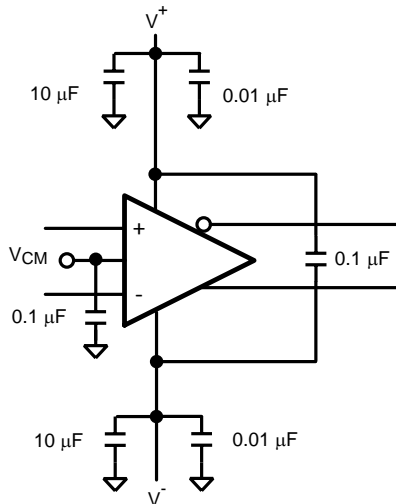


Figure 28. Split Supply Bypassing Capacitors

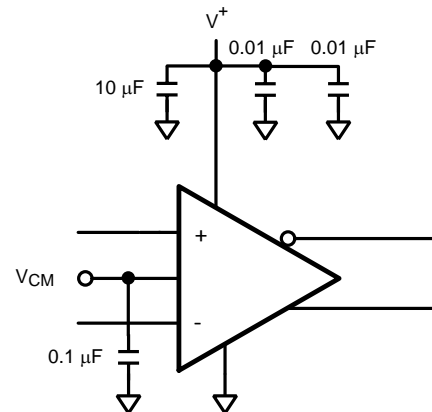


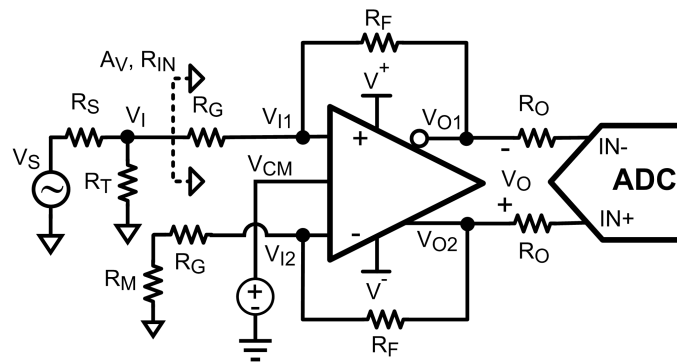
Figure 29. Single Supply Bypassing Capacitors

SINGLE ENDED INPUT TO DIFFERENTIAL OUTPUT

The LMH6551Q provides excellent performance as an active balun transformer. Figure 30 shows a typical application where an LMH6551Q is used to produce a differential signal from a single ended source.

In single ended input operation the output common mode voltage is set by the V_{CM} pin as in fully differential mode. Also, in this mode the common mode feedback circuit must recreate the signal that is not present on the unused differential input pin. Figure 25 is the measurement of the effectiveness of this process. The common mode feedback circuit is responsible for ensuring balanced output with a single ended input. Balance error is defined as the amount of input signal that couples into the output common mode. It is measured as a the undesired output common mode swing divided by the signal on the input. Balance error can be caused by either a channel to channel gain error, or phase error. Either condition will produce a common mode shift. Figure 25 measures the balance error with a single ended input as that is the most demanding mode of operation for the amplifier.

Supply and V_{CM} pin bypassing are also critical in this mode of operation. See the above section on FULLY DIFFERENTIAL OPERATION for bypassing recommendations and also see Figure 28 and Figure 29 for recommended supply bypassing configurations.



Conditions :

$$R_S = R_T \parallel R_{IN}$$

$$R_M = R_T \parallel R_S$$

Definitions :

$$\beta_1 = \frac{R_G}{R_G + R_F}$$

$$\beta_2 = \frac{R_G + R_M}{R_G + R_M + R_F}$$

$$A_v = \frac{V_O}{V_I} = \frac{2(1 - \beta_1)}{\beta_1 + \beta_2} \cong \frac{R_F}{R_G} \text{ for } R_M \ll R_G$$

$$R_{IN} = \frac{2R_G + R_M(1 - \beta_2)}{1 + \beta_2} = \frac{R_G(1 + \frac{\beta_2}{\beta_1})}{1 + \beta_2} \cong \frac{2R_G(1 + A_v)}{2 + A_v} \text{ for } R_M \ll R_G$$

$$V_{OCM} = V_{CM} = \frac{V_{O1} + V_{O2}}{2} \text{ (by design)}$$

$$V_{ICM} = \frac{V_{I1} + V_{I2}}{2} = V_{OCM} \cdot \beta_2 \cong \frac{V_{OCM}}{1 + A_v} \text{ for } R_M \ll R_G$$

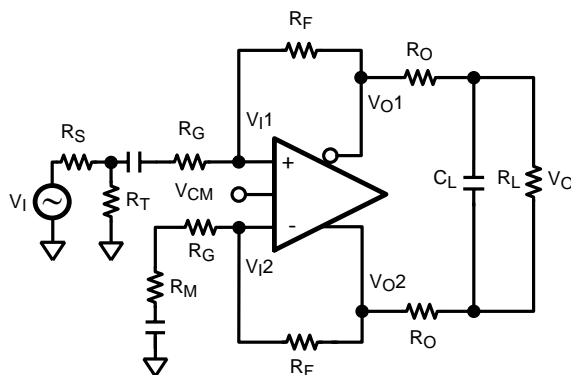
Figure 30. Single Ended In to Differential Out

SINGLE SUPPLY OPERATION

The input stage of the LMH6551Q has a built in offset of 0.7V towards the lower supply to accommodate single supply operation with single ended inputs. As shown in Figure 30, the input common mode voltage is less than the output common mode voltage. It is set by current flowing through the feedback network from the device output. The input common mode range of 0.4V to 3.2V places constraints on gain settings. Possible solutions to this limitation include AC coupling the input signal, using split power supplies and limiting stage gain. AC coupling with single supply is shown in Figure 31.

In Figure 30 closed loop gain = $V_O / V_I \approx R_F / R_G$, where $V_I = V_S / 2$, as long as $R_M \ll R_G$. Note that in single ended to differential operation V_I is measured single ended while V_O is measured differentially. This means that gain is really 1/2 or 6 dB less when measured on either of the output pins separately. Additionally, note that the input signal at R_T (labeled as V_I) is 1/2 of V_S when R_T is chosen to match R_S to R_{IN} .

$$V_{ICM} = \text{Input common mode voltage} = (V_{I1} + V_{I2}) / 2.$$



$$*V_{CM} = \frac{V_{O1} + V_{O2}}{2} \quad * \text{BY DESIGN}$$

$$V_{ICM} = V_{OCM}$$

$$V_{ICM} = \frac{V_{I1} + V_{I2}}{2}$$

Figure 31. AC Coupled for Single Supply Operation

DRIVING ANALOG TO DIGITAL CONVERTERS

Analog to digital converters (ADC) present challenging load conditions. They typically have high impedance inputs with large and often variable capacitive components. As well, there are usually current spikes associated with switched capacitor or sample and hold circuits. Figure 32 shows a typical circuit for driving an ADC. The two 56Ω resistors serve to isolate the capacitive loading of the ADC from the amplifier and ensure stability. In addition, the resistors form part of a low pass filter which helps to provide anti alias and noise reduction functions. The two 39 pF capacitors help to smooth the current spikes associated with the internal switching circuits of the ADC and also are a key component in the low pass filtering of the ADC input. In the circuit of Figure 32 the cutoff frequency of the filter is $1 / (2 * \pi * 56\Omega * (39 \text{ pF} + 14\text{pF})) = 53\text{MHz}$ (which is slightly less than the sampling frequency). Note that the ADC input capacitance must be factored into the frequency response of the input filter, and that being a differential input the effective input capacitance is double. Also as shown in Figure 32 the input capacitance to many ADCs is variable based on the clock cycle. See the data sheet for your particular ADC for details.

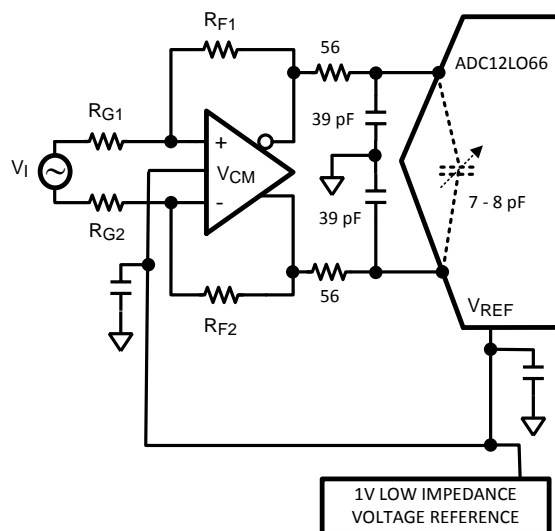


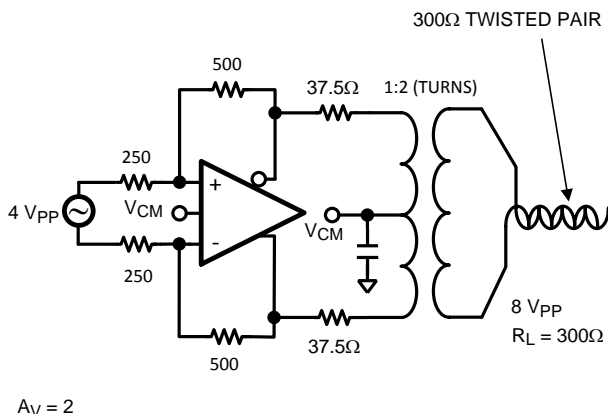
Figure 32. Driving an ADC

The amplifier and ADC should be located as closely together as possible. Both devices require that the filter components be in close proximity to them. The amplifier needs to have minimal parasitic loading on the output traces and the ADC is sensitive to high frequency noise that may couple in on its input lines. Some high performance ADCs have an input stage that has a bandwidth of several times its sample rate. The sampling process results in all input signals presented to the input stage mixing down into the Nyquist range (DC to $F_s/2$). See AN-236 ([SNAA079](#)) for more details on the subsampling process and the requirements this imposes on the filtering necessary in your system.

USING TRANSFORMERS

Transformers are useful for impedance transformation as well as for single to differential, and differential to single ended conversion. A transformer can be used to step up the output voltage of the amplifier to drive very high impedance loads as shown in Figure 33. Figure 35 shows the opposite case where the output voltage is stepped down to drive a low impedance load.

Transformers have limitations that must be considered before choosing to use one. Compared to a differential amplifier, the most serious limitations of a transformer are the inability to pass DC and balance error (which causes distortion and gain errors). For most applications the LMH6551Q will have adequate output swing and drive current and a transformer will not be desirable. Transformers are used primarily to interface differential circuits to 50Ω single ended test equipment to simplify diagnostic testing.



$A_V = 2$

Figure 33. Transformer Out High Impedance Load

$$V_L = \frac{V_{IN} * A_V * N}{\left(\frac{2 R_{OUT} * N^2}{R_L} + 1 \right)}$$

WHERE V_{IN} = DIFFERENTIAL INPUT VOLTAGE

N = TRANSFORMER TURNS RATIO = $\left(\frac{\text{SECONDARY}}{\text{PRIMARY}} \right)$

A_V = CLOSED LOOP AMPLIFIER GAIN

R_{OUT} = SERIES OUTPUT MATCHING RESISTOR

R_L = LOAD RESISTOR

V_L = VOLTAGE ACROSS LOAD RESISTOR

Figure 34. Calculating Transformer Circuit Net Gain

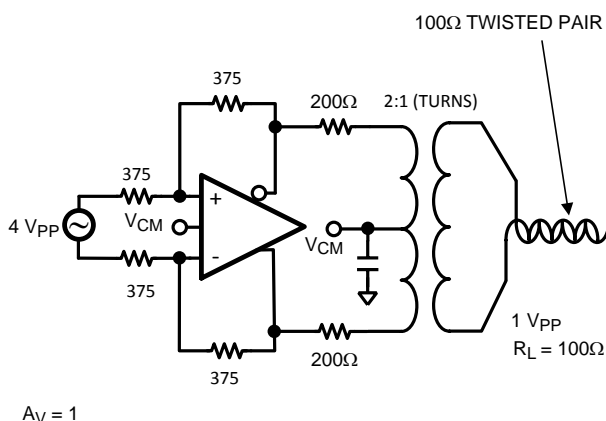


Figure 35. Transformer Out Low Impedance Load

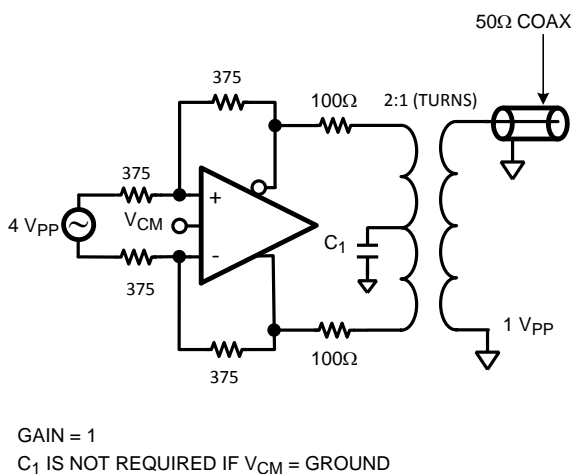


Figure 36. Driving 50Ω Test Equipment

CAPACITIVE DRIVE

As noted in [DRIVING ANALOG TO DIGITAL CONVERTERS](#), capacitive loads should be isolated from the amplifier output with small valued resistors. This is particularly the case when the load has a resistive component that is 500Ω or higher. A typical ADC has capacitive components of around 10 pF and the resistive component could be 1000Ω or higher. If driving a transmission line, such as 50Ω coaxial or 100Ω twisted pair, using matching resistors will be sufficient to isolate any subsequent capacitance. For other applications see [Figure 6](#) and [Figure 7](#) in [Typical Performance Characteristics](#).

POWER DISSIPATION

The LMH6551Q is optimized for maximum speed and performance in the small form factor of the standard VSSOP package, and is essentially a dual channel amplifier. To ensure maximum output drive and highest performance, thermal shutdown is not provided. Therefore, it is of utmost importance to make sure that the T_{JMAX} of 150°C is never exceeded due to the overall power dissipation.

Follow these steps to determine the Maximum power dissipation for the LMH6551Q:

1. Calculate the quiescent (no-load) power:

$$P_{AMP} = I_{CC} * (V_S)$$

where

- $V_S = V^+ - V^-$. (Be sure to include any current through the feedback network if V_{OCM} is not mid rail.) (1)

2. Calculate the RMS power dissipated in each of the output stages:

$$P_D (rms) = rms ((V_S - V_{OUT}^+) * I_{OUT}^+) + rms ((V_S - V_{OUT}^-) * I_{OUT}^-)$$

where

- V_{OUT} and I_{OUT} are the voltage and the current measured at the output pins of the differential amplifier as if they were single ended amplifiers and V_S is the total supply voltage (2)

3. Calculate the total RMS power:

$$P_T = P_{AMP} + P_D \quad (3)$$

The maximum power that the LMH6551Q package can dissipate at a given temperature can be derived with the following equation:

$$P_{MAX} = (150^\circ - T_{AMB}) / \theta_{JA}$$

where

- T_{AMB} = Ambient temperature (°C)
- θ_{JA} = Thermal resistance, from junction to ambient, for a given package (°C/W)
- θ_{JA} is 159 °C/W for the VSSOP-8 package (4)

NOTE

If V_{CM} is not 0V then there will be quiescent current flowing in the feedback network. This current should be included in the thermal calculations and added into the quiescent power dissipation of the amplifier.

Figure 37 shows the maximum power dissipation vs. ambient temperature for the VSSOP-8 package when mounted on a 4 layer JEDEC board.

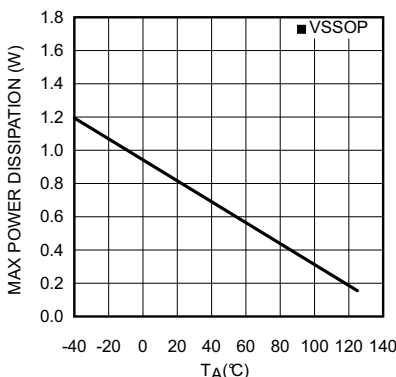


Figure 37. Maximum Power Dissipation vs. Ambient Temperature

At high ambient temperatures, the LMH6551Q's quiescent power dissipation approaches the maximum power shown in Figure 37, when operated close to the maximum operating supply voltage of 11V. This leaves little room for additional load power dissipation. In such applications, any of the following steps can be taken to alleviate any junction temperature concerns:

- Reduce the total supply voltage
- Reduce θ_{JA} by increasing heatsinking possibly by either increasing the PC board area devoted to heatsinking or forced air cooling or both
- Reduce maximum ambient temperature

ESD PROTECTION

The LMH6551Q is protected against electrostatic discharge (ESD) on all pins. The LMH6551Q will survive 2000V Human Body model and 200V Machine model events. Under normal operation the ESD diodes have no effect on circuit performance. There are occasions, however, when the ESD diodes will be evident. If the LMH6551Q is driven by a large signal while the device is powered down the ESD diodes will conduct. The current that flows through the ESD diodes will either exit the chip through the supply pins or will flow through the device, hence it is possible to power up a chip with a large signal applied to the input pins.

BOARD LAYOUT

The LMH6551Q is a very high performance amplifier. In order to get maximum benefit from the differential circuit architecture board layout and component selection is very critical. The circuit board should have low a inductance ground plane and well bypassed broad supply lines. External components should be leadless surface mount types. The feedback network and output matching resistors should be composed of short traces and precision resistors (0.1%). The output matching resistors should be placed within 3-4 mm of the amplifier as should the supply bypass capacitors.

The LMH6551Q is sensitive to parasitic capacitances on the amplifier inputs and to a lesser extent on the outputs as well. Ground and power plane metal should be removed from beneath the amplifier and from beneath R_F and R_G .

With any differential signal path symmetry is very important. Even small amounts of asymmetry will contribute to distortion and balance errors.

EVALUATION BOARD

Texas Instruments offers evaluation board(s) to aid in device testing and characterization and as a guide for proper layout. Generally, a good high frequency layout will keep power supply and ground traces away from the inverting input and output pins. Parasitic capacitances on these nodes to ground will cause frequency response peaking and possible circuit oscillations (see Application Note OA-15 for more information).

REVISION HISTORY

| Changes from Revision D (March 2013) to Revision E | Page |
|--|--------------------|
| • Changed layout of National Data Sheet to TI format | 19 |

PACKAGING INFORMATION

| Orderable Device | Status (1) | Package Type | Package Drawing | Pins | Package Qty | Eco Plan (2) | Lead finish/ Ball material (6) | MSL Peak Temp (3) | Op Temp (°C) | Device Marking (4/5) | Samples |
|------------------|---------------|--------------|-----------------|------|-------------|-----------------|--------------------------------------|----------------------|--------------|-------------------------|-------------------------|
| LMH6551QMM/NOPB | ACTIVE | VSSOP | DGK | 8 | 1000 | RoHS & Green | SN | Level-1-260C-UNLIM | -40 to 125 | AU1Q | Samples |
| LMH6551QMME/NOPB | ACTIVE | VSSOP | DGK | 8 | 250 | RoHS & Green | SN | Level-1-260C-UNLIM | -40 to 125 | AU1Q | Samples |
| LMH6551QMMX/NOPB | ACTIVE | VSSOP | DGK | 8 | 3500 | RoHS & Green | SN | Level-1-260C-UNLIM | -40 to 125 | AU1Q | Samples |

(1) The marketing status values are defined as follows:

ACTIVE: Product device recommended for new designs.

LIFEBUY: TI has announced that the device will be discontinued, and a lifetime-buy period is in effect.

NRND: Not recommended for new designs. Device is in production to support existing customers, but TI does not recommend using this part in a new design.

PREVIEW: Device has been announced but is not in production. Samples may or may not be available.

OBSOLETE: TI has discontinued the production of the device.

(2) **RoHS:** TI defines "RoHS" to mean semiconductor products that are compliant with the current EU RoHS requirements for all 10 RoHS substances, including the requirement that RoHS substance do not exceed 0.1% by weight in homogeneous materials. Where designed to be soldered at high temperatures, "RoHS" products are suitable for use in specified lead-free processes. TI may reference these types of products as "Pb-Free".

RoHS Exempt: TI defines "RoHS Exempt" to mean products that contain lead but are compliant with EU RoHS pursuant to a specific EU RoHS exemption.

Green: TI defines "Green" to mean the content of Chlorine (Cl) and Bromine (Br) based flame retardants meet JS709B low halogen requirements of <=1000ppm threshold. Antimony trioxide based flame retardants must also meet the <=1000ppm threshold requirement.

(3) MSL, Peak Temp. - The Moisture Sensitivity Level rating according to the JEDEC industry standard classifications, and peak solder temperature.

(4) There may be additional marking, which relates to the logo, the lot trace code information, or the environmental category on the device.

(5) Multiple Device Markings will be inside parentheses. Only one Device Marking contained in parentheses and separated by a "~" will appear on a device. If a line is indented then it is a continuation of the previous line and the two combined represent the entire Device Marking for that device.

(6) Lead finish/Ball material - Orderable Devices may have multiple material finish options. Finish options are separated by a vertical ruled line. Lead finish/Ball material values may wrap to two lines if the finish value exceeds the maximum column width.

Important Information and Disclaimer:The information provided on this page represents TI's knowledge and belief as of the date that it is provided. TI bases its knowledge and belief on information provided by third parties, and makes no representation or warranty as to the accuracy of such information. Efforts are underway to better integrate information from third parties. TI has taken and continues to take reasonable steps to provide representative and accurate information but may not have conducted destructive testing or chemical analysis on incoming materials and chemicals. TI and TI suppliers consider certain information to be proprietary, and thus CAS numbers and other limited information may not be available for release.

In no event shall TI's liability arising out of such information exceed the total purchase price of the TI part(s) at issue in this document sold by TI to Customer on an annual basis.

TAPE AND REEL INFORMATION

QUADRANT ASSIGNMENTS FOR PIN 1 ORIENTATION IN TAPE


*All dimensions are nominal

| Device | Package Type | Package Drawing | Pins | SPQ | Reel Diameter (mm) | Reel Width W1 (mm) | A0 (mm) | B0 (mm) | K0 (mm) | P1 (mm) | W (mm) | Pin1 Quadrant |
|------------------|--------------|-----------------|------|------|--------------------|--------------------|---------|---------|---------|---------|--------|---------------|
| LMH6551QMM/NOPB | VSSOP | DGK | 8 | 1000 | 178.0 | 12.4 | 5.3 | 3.4 | 1.4 | 8.0 | 12.0 | Q1 |
| LMH6551QMME/NOPB | VSSOP | DGK | 8 | 250 | 178.0 | 12.4 | 5.3 | 3.4 | 1.4 | 8.0 | 12.0 | Q1 |
| LMH6551QMMX/NOPB | VSSOP | DGK | 8 | 3500 | 330.0 | 12.4 | 5.3 | 3.4 | 1.4 | 8.0 | 12.0 | Q1 |

TAPE AND REEL BOX DIMENSIONS


*All dimensions are nominal

| Device | Package Type | Package Drawing | Pins | SPQ | Length (mm) | Width (mm) | Height (mm) |
|------------------|--------------|-----------------|------|------|-------------|------------|-------------|
| LMH6551QMM/NOPB | VSSOP | DGK | 8 | 1000 | 208.0 | 191.0 | 35.0 |
| LMH6551QMME/NOPB | VSSOP | DGK | 8 | 250 | 208.0 | 191.0 | 35.0 |
| LMH6551QMMX/NOPB | VSSOP | DGK | 8 | 3500 | 367.0 | 367.0 | 35.0 |

DGK0008A



PACKAGE OUTLINE

VSSOP - 1.1 mm max height

SMALL OUTLINE PACKAGE



4214862/A 04/2023

NOTES:

PowerPAD is a trademark of Texas Instruments.

1. All linear dimensions are in millimeters. Any dimensions in parenthesis are for reference only. Dimensioning and tolerancing per ASME Y14.5M.
2. This drawing is subject to change without notice.
3. This dimension does not include mold flash, protrusions, or gate burrs. Mold flash, protrusions, or gate burrs shall not exceed 0.15 mm per side.
4. This dimension does not include interlead flash. Interlead flash shall not exceed 0.25 mm per side.
5. Reference JEDEC registration MO-187.

EXAMPLE BOARD LAYOUT

DGK0008A

™ VSSOP - 1.1 mm max height

SMALL OUTLINE PACKAGE



LAND PATTERN EXAMPLE
EXPOSED METAL SHOWN
SCALE: 15X



SOLDER MASK DETAILS

4214862/A 04/2023

NOTES: (continued)

6. Publication IPC-7351 may have alternate designs.
7. Solder mask tolerances between and around signal pads can vary based on board fabrication site.
8. Vias are optional depending on application, refer to device data sheet. If any vias are implemented, refer to their locations shown on this view. It is recommended that vias under paste be filled, plugged or tented.
9. Size of metal pad may vary due to creepage requirement.

EXAMPLE STENCIL DESIGN

DGK0008A

TM VSSOP - 1.1 mm max height

SMALL OUTLINE PACKAGE



SOLDER PASTE EXAMPLE
SCALE: 15X

4214862/A 04/2023

NOTES: (continued)

11. Laser cutting apertures with trapezoidal walls and rounded corners may offer better paste release. IPC-7525 may have alternate design recommendations.
12. Board assembly site may have different recommendations for stencil design.

IMPORTANT NOTICE AND DISCLAIMER

TI PROVIDES TECHNICAL AND RELIABILITY DATA (INCLUDING DATA SHEETS), DESIGN RESOURCES (INCLUDING REFERENCE DESIGNS), APPLICATION OR OTHER DESIGN ADVICE, WEB TOOLS, SAFETY INFORMATION, AND OTHER RESOURCES "AS IS" AND WITH ALL FAULTS, AND DISCLAIMS ALL WARRANTIES, EXPRESS AND IMPLIED, INCLUDING WITHOUT LIMITATION ANY IMPLIED WARRANTIES OF MERCHANTABILITY, FITNESS FOR A PARTICULAR PURPOSE OR NON-INFRINGEMENT OF THIRD PARTY INTELLECTUAL PROPERTY RIGHTS.

These resources are intended for skilled developers designing with TI products. You are solely responsible for (1) selecting the appropriate TI products for your application, (2) designing, validating and testing your application, and (3) ensuring your application meets applicable standards, and any other safety, security, regulatory or other requirements.

These resources are subject to change without notice. TI grants you permission to use these resources only for development of an application that uses the TI products described in the resource. Other reproduction and display of these resources is prohibited. No license is granted to any other TI intellectual property right or to any third party intellectual property right. TI disclaims responsibility for, and you will fully indemnify TI and its representatives against, any claims, damages, costs, losses, and liabilities arising out of your use of these resources.

TI's products are provided subject to [TI's Terms of Sale](#) or other applicable terms available either on [ti.com](https://www.ti.com) or provided in conjunction with such TI products. TI's provision of these resources does not expand or otherwise alter TI's applicable warranties or warranty disclaimers for TI products.

TI objects to and rejects any additional or different terms you may have proposed.

Mailing Address: Texas Instruments, Post Office Box 655303, Dallas, Texas 75265
Copyright © 2024, Texas Instruments Incorporated

Looking for pricing, stock, or lifecycle information?

Click below to explore more details on WIN SOURCE:

 [View LMH6551QMMX/NOPB on WIN SOURCE](#)

 [Texas Instruments](#) Information

Optimize Your Supply Chain with WIN SOURCE Solutions

-  Global Sourcing Solution
-  Obsolete Management
-  Cost Control Management
-  Shortage Management
-  Alternative Solution
-  Excess Inventory Management