



**THE DATASHEET OF  
LM3658SD-AEV/NOPB**



## **AN-1517 LM3658 Evaluation Kit**

---

---

---

### **1 LM3658 Overview**

The LM3658 is a single chip charger IC designed for handheld applications. LM3658 can safely charge and maintain a single cell Li-Ion/Polymer battery operating off an AC wall adapter or the USB power (VBUS). Input power source selection of USB/AC is automatic. With both power sources present, the AC power source has priority. Charge current is programmed through an external resistor when operating from a wall AC adapter allowing charge currents from 50 mA to 1000 mA. When the battery is charged using USB power, charge currents of 100 mA or 500 mA are pin selectable. The termination voltage is controlled to within  $\pm 0.35\%$  of 4.2V. The LM3658 requires few external components and integrates internal Power FETs, reverse current protection and current sensing. The internal power FETs are thermally regulated to obtain the most efficient charging rate for a given ambient temperature.

The LM3658 operates in five phases: pre-qualification mode, constant-current mode, constant-voltage mode, toff mode and maintenance mode. Additionally, the LM3658-B charger IC operates as a linear Regulator or in “LDO mode” when the AC wall adapter is connected and no battery is present. Optimal battery management is obtained through the integration of thermal protection, battery temperature measurement and a multi-mode safety timer. The LM3658 provides two open-drain outputs for LED status indication or connection to a GPIO.

For more information, please refer to *LM3658 Dual Source USB/AC Li Chemistry Charger IC for Portable Applications* ([SNVS328](#)).

### **2 Evaluation Kit Overview**

LM3658 evaluation kit supports complete functional evaluation of the battery charger IC. All user accessible functions of the circuit can be controlled through jumpers. The evaluation kits are available in three options: LM3658SDEV, LM3658SD-AEV, and LM3658SD-BEV. For detail of the various options, please refer to order information table.

### **3 Getting Started**

The following instructions show how to use the LM3658 evaluation kit. Please use the ESD protection (ground cable) to prevent any unwanted damaging ESD events.

1. Connect a power supply (4.5V to 6.0V) to the “CHG-IN” and the “GND” pins. Power supply’s negative terminal should be connected to “GND” and positive to “CHG-IN.” Alternatively, power supply can be connected to the “USBpwr” pin and the “GND” pin.
2. Connect a Li-Ion battery pack to “BATT” and “GND” pins. The battery pack’s negative terminal should be connected to “GND” and positive to “BATT.”
3. Check to make sure that “EN\_b” pin has a jumper in place. This pulls the pin low, enabling the LM3658.
4. Check to make sure there is a jumper in place for R7. R7 is a 5 k $\Omega$  resistor connected to the “I<sub>SET</sub>” pin which will program the full-rate charge current to 500 mA.
5. Check to make sure there is a jumper in place for R8. This jumper connects a 10 k $\Omega$  resistor across the “T<sub>S</sub>” pin and the “GND” pin.
6. The evaluation board is now ready for operation. Turning on the power supply will start the charge cycle if battery is not fully charged.

## 4 Jumper Functions

Table 1 describes the functionality associated with each jumper found on the LM3658 evaluation board.

**Table 1. Jumper Functions**

Jumper Name	Default Position	Jumper Functionality
R8	Jumper in place	Connects 10 kΩ from T <sub>S</sub> to GND pins
R7	Jumper in place	Connects 5 kΩ from I <sub>SET</sub> to GND pins
R6	Open	Connects 10 kΩ from I <sub>SET</sub> to GND pins
R5	Open	Connects 25 kΩ from I <sub>SET</sub> to GND pins
BATT	Jumper in place	Provides LED bias from BATT pin
CHG-IN	Open	Provides LED bias from CHG-IN pin
EN	Jumper in place	Shorts EN_b pin to GND, enabling charging
DISBL	Jumper to CHG-IN	Connects EN_b pullup resistor to CHG-IN or USB <sub>PWR</sub>
I <sub>USB</sub>	Jumper in place	Shorts USB_sel to GND, setting USB current to 90 mA

## 5 Detailed Operation of the Evaluation Board

The LM3658 is capable of accepting charge from either an AC adaptor or a USB port. When both are connected at the same time, the LM3658 will choose the AC adaptor as the power source.

### 5.1 Charging from AC Adaptor

When the LM3658 is accepting charge from the AC adaptor, the “I<sub>SET</sub>” pin is used to program the full-rate charge current. On the evaluation board, there is space for three separate external resistors, providing up to seven different selections for charge current. Charge current can be calculated using this equation:

$$I_{\text{CHG}} = \frac{K_{\text{ISET}}}{R_{\text{ISET}}}$$

Where  $K_{\text{ISET}} = 2500$ . The evaluation board is assembled with the following resistors.

I <sub>SET</sub> Resistor	Value (kΩ)	Charge Current (mA)
R5	25	100
R6	10	250
R7	5	500

### 5.2 Charging from USB Port

When the LM3658 is accepting charge from the USB port, the “USB\_sel” pin sets the full-rate charge current, not the “I<sub>SET</sub>” pin. Pulling the “USB\_sel” pin low will set the charge current to 100 mA; pulling this pin high will set it to 500 mA. On the LM3658 evaluation board, a 10 kΩ resistor pulls this pin high to the “USB<sub>PWR</sub>” voltage. By placing a jumper on I<sub>USB</sub>, the pin is pulled low to ground.

### 5.3 Enabling/Disabling the LM3658

The “EN\_b” pin is used to enable and disable the LM3658. Pulling this pin low by placing a jumper on EN enables the LM3658. Pulling this pin high through the 10 kΩ resistor to the “CHG-IN” voltage disables the LM3658 on the evaluation board.

#### 5.4 STAT-1 and STAT-2 Indicators

The LM3658 has two open-drain outputs to indicate the charge status of the LM3658, as shown in [Table 2](#).

These two outputs can be connected to LEDs or to General Purpose I/Os (GPIO). On the LM3658 evaluation board, STAT-1 is connected to a red LED and STAT-2 is connected to a green LED.

**Table 2. STAT-1 and STAT-2 Indicators**

STAT-1 (CHG)	STAT-2 (EOC)	Condition
Off	Off	Power-down, charging is suspended or interrupted
On	Off	Pre-qualification mode, CC and CV charging
Off	On	Charge is completed
On	On	Bad battery (Safety timer expired) or LDO mode

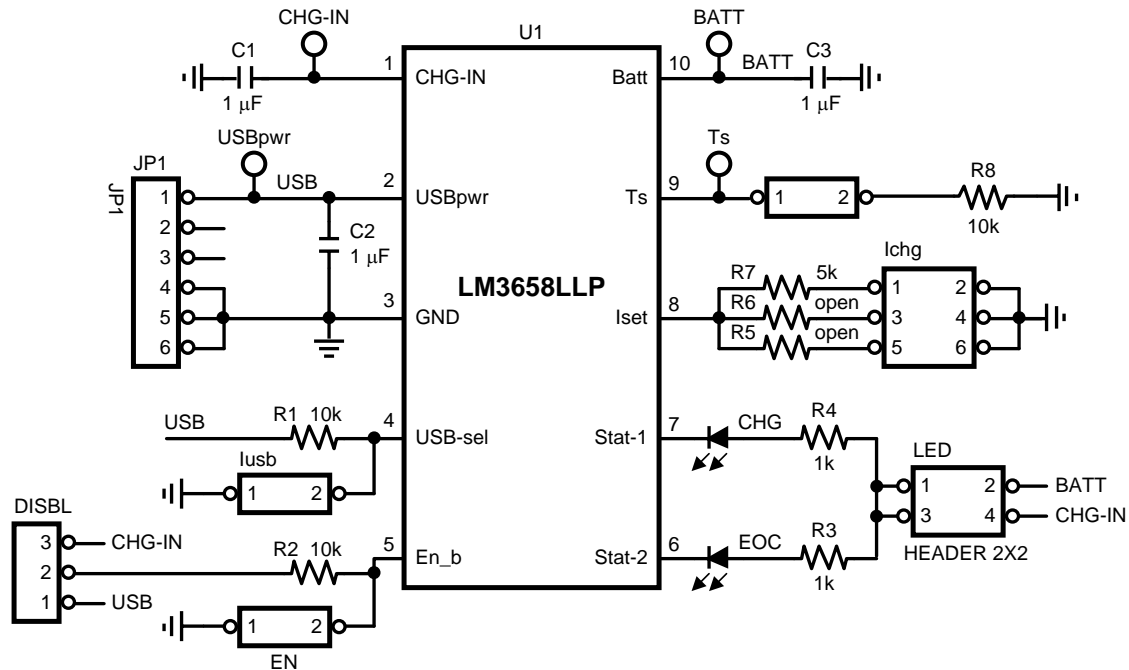
#### 5.5 Battery Temperature Monitoring

The LM3658 is equipped with a battery thermistor interface to continuously monitor the battery temperature by measuring the voltage between the  $T_S$  pin and ground. Internal to the LM3658 are two comparators that set an upper limit of 2.5V and a lower limit of 0.5V in which charging is allowed. If the voltage at  $T_S$  pin is outside of this window, charging is suspended. On the LM3658 evaluation board, the  $T_S$  pin is connected to a 10 k $\Omega$  resistor.

#### 5.6 LDO Mode of the LM3658-B

By removing the 10 k $\Omega$  resistor and leaving the  $T_S$  pin floating, the LM3658-B assumes there is no battery present and goes into LDO mode if CHG-IN pin is connected to an AC adaptor. In LDO mode, the LM3658 provides up to 1A of current at BATT pin. The LDO mode is not possible when operating from the USB<sub>PWR</sub> input. The jumper located next to R8 can be removed to observe the LDO mode function on the LM3658-B eval board. Note that removing the R8 jumper on the LM3658 and LM3658-A evaluation board causes an effective battery overtemperature condition and the charge current will turn off.

## 6 LM3658 Evaluation Board Schematic



## 7 Bill of Materials for LM3658 Evaluation Board

Designator	Description	Footprint	Comment
C1, C2, C3	1 $\mu$ F, ceramic	0805	TDK
R1, R2, R8	10k $\Omega$	0805	Vishay
R3, R4	1k $\Omega$	0805	Vishay
R5	25k $\Omega$	0805	Vishay
R6	10k $\Omega$	0805	Vishay
R7	5k $\Omega$	0805	Vishay
CHG	Red LED	0805 2x	Vishay TLMT3100
EOC	Green LED	0805 2x	Vishay TLMC3100
JP1	USB Connector		Not assembled
I <sub>USB</sub> , DISBL, EN, LED, I <sub>CHG</sub>	Headers		
CHG_IN, USB <sub>PWR</sub> , BATT, T <sub>S</sub> , GND	Contact posts		
U1	LM3658	SDA10A	Texas Instruments

## IMPORTANT NOTICE

Texas Instruments Incorporated and its subsidiaries (TI) reserve the right to make corrections, enhancements, improvements and other changes to its semiconductor products and services per JESD46, latest issue, and to discontinue any product or service per JESD48, latest issue. Buyers should obtain the latest relevant information before placing orders and should verify that such information is current and complete. All semiconductor products (also referred to herein as "components") are sold subject to TI's terms and conditions of sale supplied at the time of order acknowledgment.

TI warrants performance of its components to the specifications applicable at the time of sale, in accordance with the warranty in TI's terms and conditions of sale of semiconductor products. Testing and other quality control techniques are used to the extent TI deems necessary to support this warranty. Except where mandated by applicable law, testing of all parameters of each component is not necessarily performed.

TI assumes no liability for applications assistance or the design of Buyers' products. Buyers are responsible for their products and applications using TI components. To minimize the risks associated with Buyers' products and applications, Buyers should provide adequate design and operating safeguards.

TI does not warrant or represent that any license, either express or implied, is granted under any patent right, copyright, mask work right, or other intellectual property right relating to any combination, machine, or process in which TI components or services are used. Information published by TI regarding third-party products or services does not constitute a license to use such products or services or a warranty or endorsement thereof. Use of such information may require a license from a third party under the patents or other intellectual property of the third party, or a license from TI under the patents or other intellectual property of TI.

Reproduction of significant portions of TI information in TI data books or data sheets is permissible only if reproduction is without alteration and is accompanied by all associated warranties, conditions, limitations, and notices. TI is not responsible or liable for such altered documentation. Information of third parties may be subject to additional restrictions.

Resale of TI components or services with statements different from or beyond the parameters stated by TI for that component or service voids all express and any implied warranties for the associated TI component or service and is an unfair and deceptive business practice. TI is not responsible or liable for any such statements.

Buyer acknowledges and agrees that it is solely responsible for compliance with all legal, regulatory and safety-related requirements concerning its products, and any use of TI components in its applications, notwithstanding any applications-related information or support that may be provided by TI. Buyer represents and agrees that it has all the necessary expertise to create and implement safeguards which anticipate dangerous consequences of failures, monitor failures and their consequences, lessen the likelihood of failures that might cause harm and take appropriate remedial actions. Buyer will fully indemnify TI and its representatives against any damages arising out of the use of any TI components in safety-critical applications.

In some cases, TI components may be promoted specifically to facilitate safety-related applications. With such components, TI's goal is to help enable customers to design and create their own end-product solutions that meet applicable functional safety standards and requirements. Nonetheless, such components are subject to these terms.

No TI components are authorized for use in FDA Class III (or similar life-critical medical equipment) unless authorized officers of the parties have executed a special agreement specifically governing such use.

Only those TI components which TI has specifically designated as military grade or "enhanced plastic" are designed and intended for use in military/aerospace applications or environments. Buyer acknowledges and agrees that any military or aerospace use of TI components which have **not** been so designated is solely at the Buyer's risk, and that Buyer is solely responsible for compliance with all legal and regulatory requirements in connection with such use.

TI has specifically designated certain components as meeting ISO/TS16949 requirements, mainly for automotive use. In any case of use of non-designated products, TI will not be responsible for any failure to meet ISO/TS16949.

### Products

Audio	<a href="http://www.ti.com/audio">www.ti.com/audio</a>
Amplifiers	<a href="http://amplifier.ti.com">amplifier.ti.com</a>
Data Converters	<a href="http://dataconverter.ti.com">dataconverter.ti.com</a>
DLP® Products	<a href="http://www.dlp.com">www.dlp.com</a>
DSP	<a href="http://dsp.ti.com">dsp.ti.com</a>
Clocks and Timers	<a href="http://www.ti.com/clocks">www.ti.com/clocks</a>
Interface	<a href="http://interface.ti.com">interface.ti.com</a>
Logic	<a href="http://logic.ti.com">logic.ti.com</a>
Power Mgmt	<a href="http://power.ti.com">power.ti.com</a>
Microcontrollers	<a href="http://microcontroller.ti.com">microcontroller.ti.com</a>
RFID	<a href="http://www.ti-rfid.com">www.ti-rfid.com</a>
OMAP Applications Processors	<a href="http://www.ti.com/omap">www.ti.com/omap</a>
Wireless Connectivity	<a href="http://www.ti.com/wirelessconnectivity">www.ti.com/wirelessconnectivity</a>

### Applications



Automotive and Transportation	<a href="http://www.ti.com/automotive">www.ti.com/automotive</a>
Communications and Telecom	<a href="http://www.ti.com/communications">www.ti.com/communications</a>
Computers and Peripherals	<a href="http://www.ti.com/computers">www.ti.com/computers</a>
Consumer Electronics	<a href="http://www.ti.com/consumer-apps">www.ti.com/consumer-apps</a>
Energy and Lighting	<a href="http://www.ti.com/energy">www.ti.com/energy</a>
Industrial	<a href="http://www.ti.com/industrial">www.ti.com/industrial</a>
Medical	<a href="http://www.ti.com/medical">www.ti.com/medical</a>
Security	<a href="http://www.ti.com/security">www.ti.com/security</a>
Space, Avionics and Defense	<a href="http://www.ti.com/space-avionics-defense">www.ti.com/space-avionics-defense</a>
Video and Imaging	<a href="http://www.ti.com/video">www.ti.com/video</a>

### TI E2E Community

[e2e.ti.com](http://e2e.ti.com)

## Looking for pricing, stock, or lifecycle information?

Click below to explore more details on WIN SOURCE:

-  [View LM3658SD-AEV/NOPB on WIN SOURCE](#)
-  [Texas Instruments](#) Information

## Optimize Your Supply Chain with WIN SOURCE Solutions

-  Global Sourcing Solution
-  Obsolete Management
-  Cost Control Management
-  Shortage Management
-  Alternative Solution
-  Excess Inventory Management