



**THE DATASHEET OF
LM2661/3/4EVAL/NOPB**



AN-1142 LM2661/3/4 Evaluation Board

1 Introduction

The LM2661, LM2663, and LM2664 are part of a family of CMOS charge-pump voltage converters (Table 3). Each uses two small capacitors to achieve voltage inversion or voltage doubling without the cost, size, and EMI of inductor based converters. Each device has a shutdown feature and the LM2661 and LM2663 also provide the ability to run the clock oscillator from an external source. You may also slow the clock with an external capacitor on the LM2661 and LM2663. The small size and low profile of these circuits makes them attractive for cellular phones, laptop computers, Op Amp power supplies, interface power supplies, medical instruments, PDAs, and handheld instruments.

The LM2661 comes in SOIC-8 and VSSOP-8 packages and requires only an extra diode to double the input voltage and provide up to 100mA of output current. It has a typical efficiency of 88% at 100mA output and a typical output resistance of 6.5 Ω . This circuit typically draws only 500 nA of supply current in shutdown mode and 120 μ A when operating. The internal oscillator frequency is 80 kHz and the input voltage range is +2.5 V to +5.5 V. The LM2661 is also capable of inverting an input voltage from +1.5 V to +5.5 V when used in a different configuration.

The LM2663 comes in a SOIC-8 package and inverts the input voltage to provide up to 200mA of output current. It has a typical efficiency of 86% at 200 mA output and a typical output resistance of 3.5 Ω . This circuit draws only 10 μ A of supply current in shutdown and 300 μ A when operating. The internal oscillator frequency is 150 kHz and the input voltage range is +1.5 V to +5.5 V. The LM2663 is also capable of doubling an input voltage from +2.5 V to +5.5 V when used in a different configuration.

The LM2664 comes in a SOT23-6 package and inverts the input voltage to provide up to 40 mA of output current. It has a typical efficiency of 91% at 40 mA output and a typical output resistance of 12 Ω . This circuit draws only 1 μ A of supply current in shutdown and 220 μ A when on. The oscillator frequency is 160 kHz and the input voltage range is +1.8 V to +5.5 V ⁽¹⁾

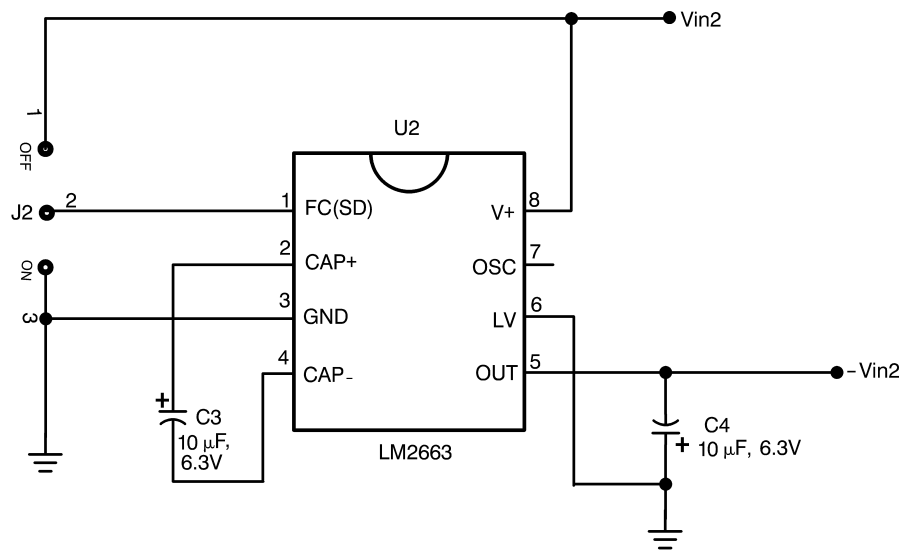
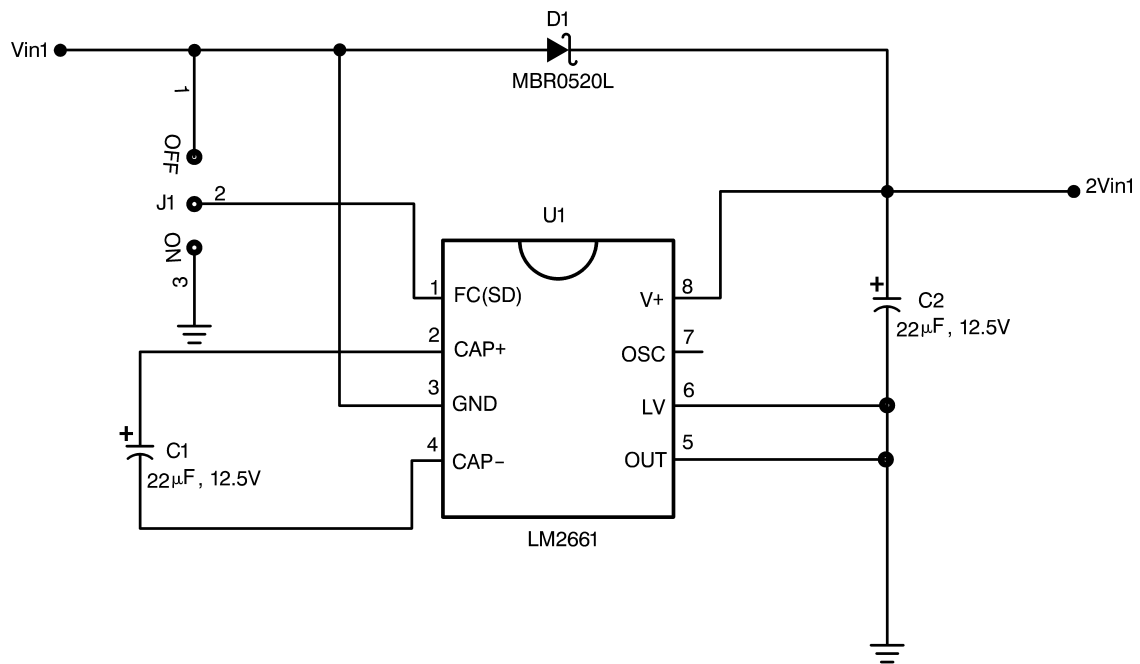
Figure 1 contains the schematic for each circuit used.

A silkscreen for the evaluation board is shown in Figure 2.

A listing of the products used is shown in Table 1.

A listing of the switched capacitor family is given in Table 3.

⁽¹⁾ Maximum input voltage for any input on this evaluation board is +5.5 V.
All trademarks are the property of their respective owners.



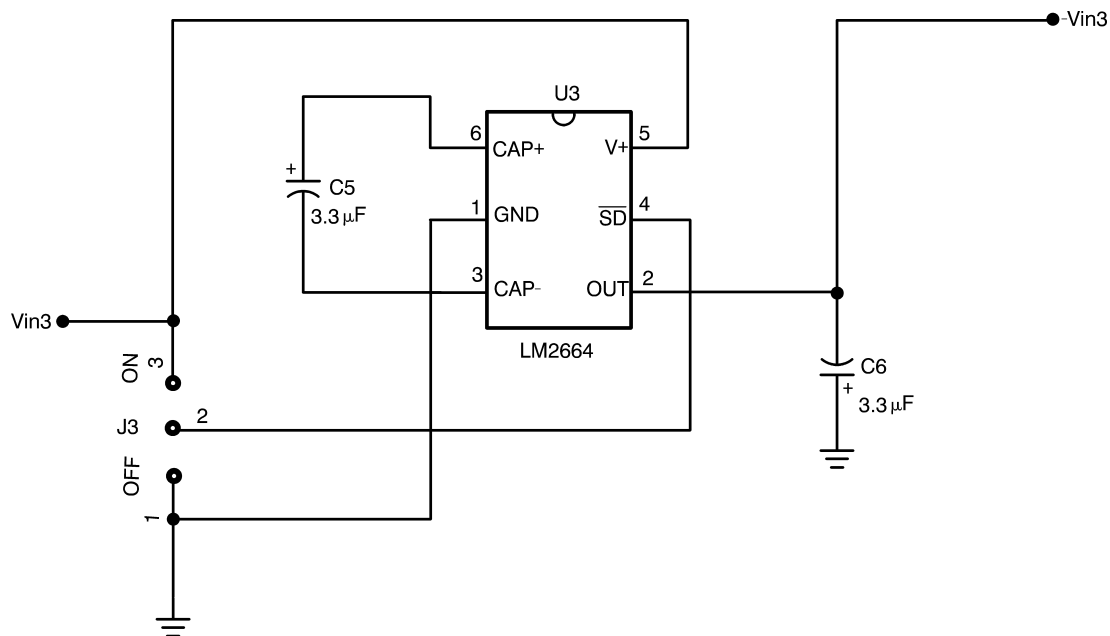


Figure 1. Schematics

2 Discussion and Component Selection

On this evaluation board, the LM2661 is used in the doubling configuration. This configuration uses only two capacitors and one diode. There is a manual shutdown jumper designated as J1 included. The internal oscillator is used with a frequency of 80 kHz. In doubling mode, the oscillator frequency can only be modified using an external capacitor and cannot be driven by an external clock. The Schottky diode D1 is needed only for start-up but should be able to handle the current required to charge the output capacitor ($I=C \cdot dV/dt$). An MBR0520LT1 20 V, 0.5A diode is used on this board. Capacitor selection is very important. The capacitors chosen determine the output voltage ripple as well as the output resistance (Equation 1 and Equation 2). From these equations it is easy to see how capacitor value and ESR help determine the output resistance and output voltage ripple. For this circuit Taiyo-Yuden type 22 μ F ceramic capacitors are used (Model EMK432BJ226MM). These capacitors are used because of their low ESR as well as stable temperature and frequency characteristics. Therefore, they enhance the parts performance. Tantalum and ceramic capacitors and other values may be used as well to fit different performance, size, or cost requirements. Universal pads have been put on the evaluation board so that the capacitors can be replaced with those of a different size.

The LM2663 is configured as an inverter on this board. A manual shutdown is included and designated J2. The internal oscillator frequency of 150 kHz is used. The capacitor selection here is important as well since the output resistance and voltage ripple equations are the same as they are for the LM2661 (Equation 1 and Equation 2). This circuit runs at a higher frequency than the LM2661 so smaller capacitor values can be used. For this circuit Taiyo-Yuden type 10 μ F ceramic capacitors are used (Model JMK316BJ106ML-T). Once again the low ESR and stable characteristics of these capacitors are the reasons they were chosen. Other types and sizes of capacitors may be used here as well for different performance, size, or cost requirements.

The LM2664 is also used as an inverter on this board. A manual shutdown designated as J3 is included. The LM2664 does not have an adjustable frequency; it is fixed at 160 kHz. This circuit has the same equations for output resistance and output voltage ripple as the previous two circuits and the capacitor selection is once again important (Equation 1 and Equation 2). Taiyo Yuden multi-layer ceramic chip 3.3 μ F capacitors are used for this circuit (Model LMK316BJ335ML-T). These capacitors are chosen for their low ESR (measured \approx 25 m Ω) and small (1206) case size. They show the high performance of the LM2664 as well as the small size for the complete circuit. The output voltage ripple was measured to be less than 75mV peak to peak with a 40 mA load. Again other types and sizes of capacitors may be used for different performance and/or size requirements.

In these equations C_2 is always the output capacitor of the circuit.

$$R_{OUT} \cong 2 R_{SW} + \frac{2}{f_{OSC} \times C_1} + 4 ESR_{C1} + ESR_{C2} \quad (1)$$

where R_{SW} is the sum of the ON resistance of the internal switches. R_{SW} is typically 1.4 Ω for the LM2661, 0.9 Ω for the LM2663, and 4 Ω for the LM2664.

$$V_{RIPPLE} = \frac{I_L}{f_{OSC} \times C_2} + 2 \times I_L \times ESR_{C2} \quad (2)$$

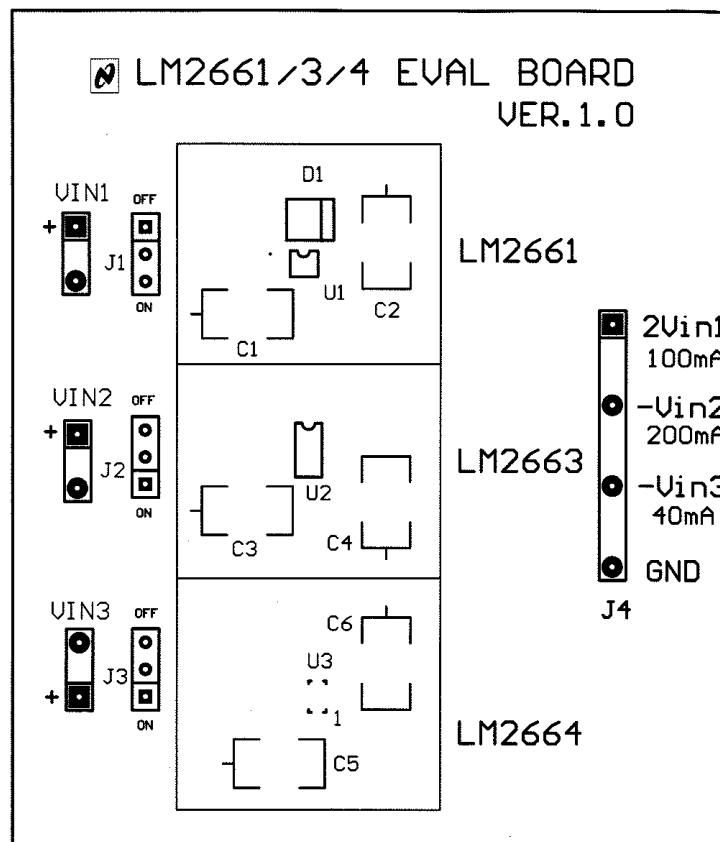


Figure 2. Silkscreen

Table 1. Components List

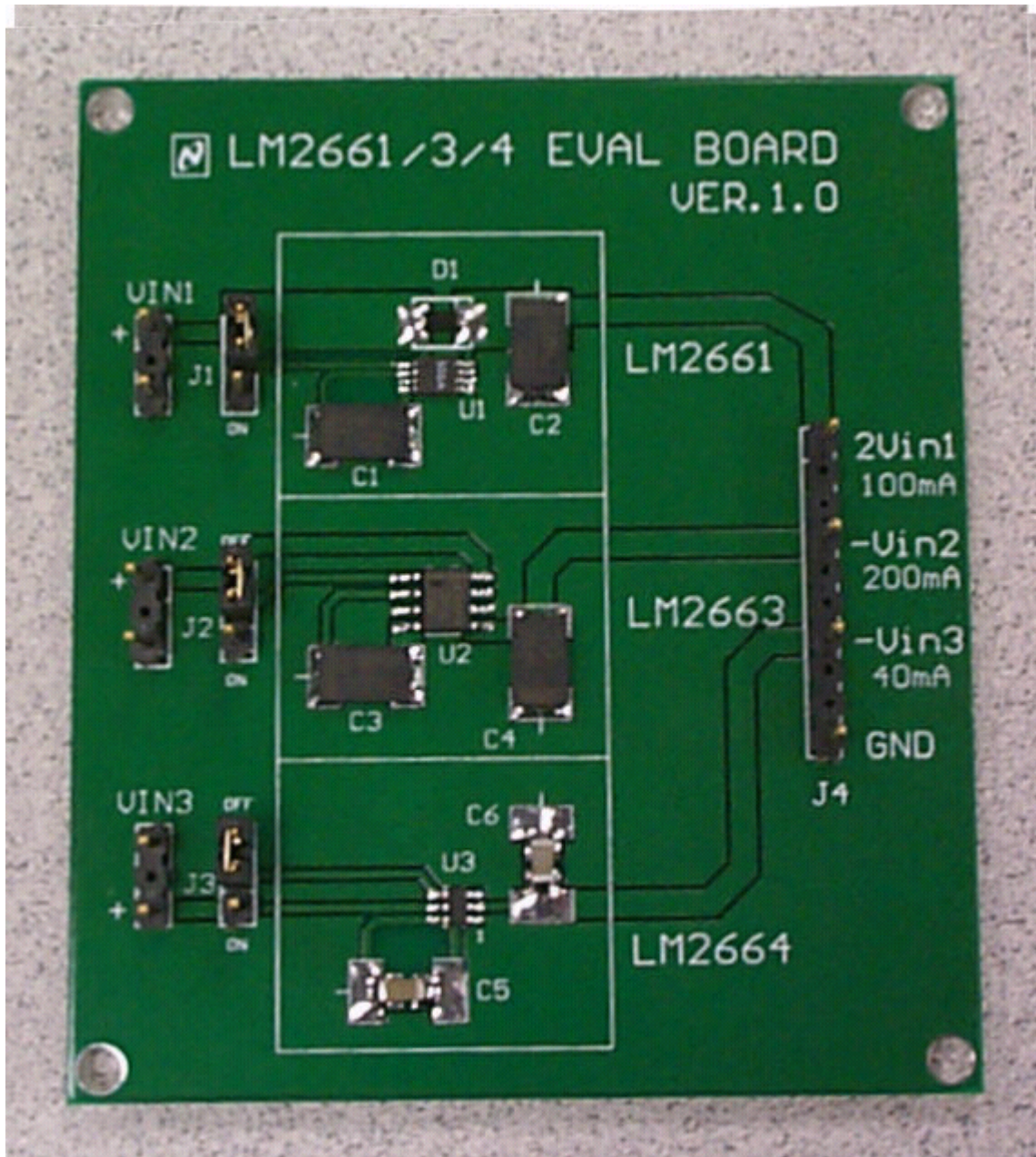
Designator	Part Type	Manufacturer and Model No	Footprint	Description
U1	LM2661	Texas Instruments	VSSOP-8	Charge-pump voltage converter
D1	Diode	Motorola (MBR0520LT1)	SOD123	20 V, 0.5A Start-up diode
C1	22 μ F	Taiyo-Yuden (EMK432BJ226MM)	1206	Low ESR charge-pump capacitor, MLCC
C2	22 μ F	Taiyo-Yuden (EMK432BJ226MM)	1206	Low ESR charge-pump capacitor, MLCC
U2	LM2663	Texas Instruments	SO-8	Charge-pump voltage converter
C3	10 μ F	Taiyo-Yuden (JMK316BJ106ML-T)	1206	Low ESR charge-pump capacitor, MLCC
C4	10 μ F	Taiyo-Yuden (JMK316BJ106ML-T)	1206	Low ESR charge-pump capacitor, MLCC
U3	LM2664	Texas Instruments	SOT23-6	Charge-pump voltage converter
C5	3.3 μ F	Taiyo Yuden (LMK316BJ335ML-T)	1206	Low ESR charge-pump capacitor, MLCC
C6	3.3 μ F	Taiyo Yuden (LMK316BJ335ML-T)	1206	Low ESR charge-pump capacitor, MLCC
VIN1, VIN2, VIN3, J1, J2, J3, J4	Headers (36 posts per strip)	Amphenol (842-800-272-015) Newark stock # 87F6830	0.1" spacing	Connectors for input voltage, output voltage, and ON/OFF jumpers (2/3 strip used, 22 posts used, 19 actual pins used per board)
J1, J2, J3	Shunts	Circuit Assembly Corp. (CA-02SJC-B) Newark stock # 90F9279		Shunts for ON/OFF jumpers, shorts 2 pins, 3 shunts used per board

Table 2. Contact Information

Texas Instruments	www.ti.com	1-800-272-9959
Motorola	www.mot.com	1-800-521-6274
Taiyo Yuden	www.T-Yuden.com	1-800-348-2496
Newark	www.Newark.com	1-800-298-3133

Table 3. Switched Capacitor Family

Product	Function	R _o (Ω)	I _{OUT} (mA)	V _{IN} Range	f _{osc} kHz	I _q (μ A)	Shut down	Freq. Control	Freq. Sync	Package
LM2660	-V _{IN} or 2 V _{IN}	6.5	100	1.5 to 5.5	10/80	120/400	No	Yes	Yes	VSSOP-8, SOIC-8
LM2661	-V _{IN} or 2 V _{IN}	6.5	100	1.5 to 5.5	80	1000	Yes	No	Yes	VSSOP-8, SOIC-8
LM2662	-V _{IN} or 2 V _{IN}	3.5	200	1.5 to 5.5	20/150	300/1300	No	Yes	Yes	SOIC-8
LM2663	-V _{IN} or 2 V _{IN}	3.5	200	1.5 to 5.5	150	1300	Yes	No	Yes	SOIC-8
LM2664	-V _{IN}	12	40	1.8 to 5.5	160	220	Yes	No	No	SOT23-6
LM2665	2 V _{IN}	12	40	1.8 to 5.5	160	550	Yes	No	No	SOT23-6
LM3350	3/2 V _{IN} or 2/3 V _{IN}	4.2/1.8	50	1.5 to 5.5	1600	3750	Yes	No	No	VSSOP-8
LM3351	3/2 V _{IN} or 2/3 V _{IN}	4.2/1.8	50	1.5 to 5.5	400	1110	Yes	No	No	VSSOP-8



IMPORTANT NOTICE

Texas Instruments Incorporated and its subsidiaries (TI) reserve the right to make corrections, enhancements, improvements and other changes to its semiconductor products and services per JESD46, latest issue, and to discontinue any product or service per JESD48, latest issue. Buyers should obtain the latest relevant information before placing orders and should verify that such information is current and complete. All semiconductor products (also referred to herein as "components") are sold subject to TI's terms and conditions of sale supplied at the time of order acknowledgment.

TI warrants performance of its components to the specifications applicable at the time of sale, in accordance with the warranty in TI's terms and conditions of sale of semiconductor products. Testing and other quality control techniques are used to the extent TI deems necessary to support this warranty. Except where mandated by applicable law, testing of all parameters of each component is not necessarily performed.

TI assumes no liability for applications assistance or the design of Buyers' products. Buyers are responsible for their products and applications using TI components. To minimize the risks associated with Buyers' products and applications, Buyers should provide adequate design and operating safeguards.

TI does not warrant or represent that any license, either express or implied, is granted under any patent right, copyright, mask work right, or other intellectual property right relating to any combination, machine, or process in which TI components or services are used. Information published by TI regarding third-party products or services does not constitute a license to use such products or services or a warranty or endorsement thereof. Use of such information may require a license from a third party under the patents or other intellectual property of the third party, or a license from TI under the patents or other intellectual property of TI.

Reproduction of significant portions of TI information in TI data books or data sheets is permissible only if reproduction is without alteration and is accompanied by all associated warranties, conditions, limitations, and notices. TI is not responsible or liable for such altered documentation. Information of third parties may be subject to additional restrictions.

Resale of TI components or services with statements different from or beyond the parameters stated by TI for that component or service voids all express and any implied warranties for the associated TI component or service and is an unfair and deceptive business practice. TI is not responsible or liable for any such statements.

Buyer acknowledges and agrees that it is solely responsible for compliance with all legal, regulatory and safety-related requirements concerning its products, and any use of TI components in its applications, notwithstanding any applications-related information or support that may be provided by TI. Buyer represents and agrees that it has all the necessary expertise to create and implement safeguards which anticipate dangerous consequences of failures, monitor failures and their consequences, lessen the likelihood of failures that might cause harm and take appropriate remedial actions. Buyer will fully indemnify TI and its representatives against any damages arising out of the use of any TI components in safety-critical applications.

In some cases, TI components may be promoted specifically to facilitate safety-related applications. With such components, TI's goal is to help enable customers to design and create their own end-product solutions that meet applicable functional safety standards and requirements. Nonetheless, such components are subject to these terms.

No TI components are authorized for use in FDA Class III (or similar life-critical medical equipment) unless authorized officers of the parties have executed a special agreement specifically governing such use.

Only those TI components which TI has specifically designated as military grade or "enhanced plastic" are designed and intended for use in military/aerospace applications or environments. Buyer acknowledges and agrees that any military or aerospace use of TI components which have **not** been so designated is solely at the Buyer's risk, and that Buyer is solely responsible for compliance with all legal and regulatory requirements in connection with such use.

TI has specifically designated certain components as meeting ISO/TS16949 requirements, mainly for automotive use. In any case of use of non-designated products, TI will not be responsible for any failure to meet ISO/TS16949.

Products

Audio	www.ti.com/audio
Amplifiers	amplifier.ti.com
Data Converters	dataconverter.ti.com
DLP® Products	www.dlp.com
DSP	dsp.ti.com
Clocks and Timers	www.ti.com/clocks
Interface	interface.ti.com
Logic	logic.ti.com
Power Mgmt	power.ti.com
Microcontrollers	microcontroller.ti.com
RFID	www.ti-rfid.com
OMAP Applications Processors	www.ti.com/omap
Wireless Connectivity	www.ti.com/wirelessconnectivity

Applications



Automotive and Transportation	www.ti.com/automotive
Communications and Telecom	www.ti.com/communications
Computers and Peripherals	www.ti.com/computers
Consumer Electronics	www.ti.com/consumer-apps
Energy and Lighting	www.ti.com/energy
Industrial	www.ti.com/industrial
Medical	www.ti.com/medical
Security	www.ti.com/security
Space, Avionics and Defense	www.ti.com/space-avionics-defense
Video and Imaging	www.ti.com/video

TI E2E Community

e2e.ti.com

Looking for pricing, stock, or lifecycle information?

Click below to explore more details on WIN SOURCE:

-  [View LM2661/3/4EVAL/NOPB on WIN SOURCE](#)
-  [Texas Instruments](#) Information

Optimize Your Supply Chain with WIN SOURCE Solutions

-  Global Sourcing Solution
-  Obsolete Management
-  Cost Control Management
-  Shortage Management
-  Alternative Solution
-  Excess Inventory Management