



**THE DATASHEET OF
LH52256CN-70LL**



LH52256C/CH

CMOS 256K (32K × 8) Static RAM

FEATURES

- 32,768 × 8 bit organization
- Access time: 70 ns (MAX.)
- Supply current:
 - Operating: 45 mA (MAX.)
 - 10 mA (MAX.) (t_{RC} , $t_{WC} = 1 \mu s$)
 - Standby: 40 μA (MAX.)
- Data retention current: 1.0 μA (MAX.)
 - ($V_{CCDR} = 3 V$, $T_A = 25^\circ C$)
- Wide operating voltage range:
 - 4.5 V \pm 5.5 V
- Operating temperature:
 - Commerical temperature 0°C to +70°C
 - Industrial temperature -40° to +85°C
- Fully-static operation
- Three-state outputs
- Not designed or rated as radiation hardened
- Package:
 - 28-pin, 600-mil DIP
 - 28-pin, 450-mil SOP
 - 28-pin, 300-mil SK-DIP
 - 28-pin, 8 × 3 mm² TSOP (Type I)
- N-type bulk silicon

DESCRIPTION

The LH52256C is a Static RAM organized as 32,768 × 8 bits which provides low-power standby mode. It is fabricated using silicon-gate CMOS process technology.

PIN CONNECTIONS

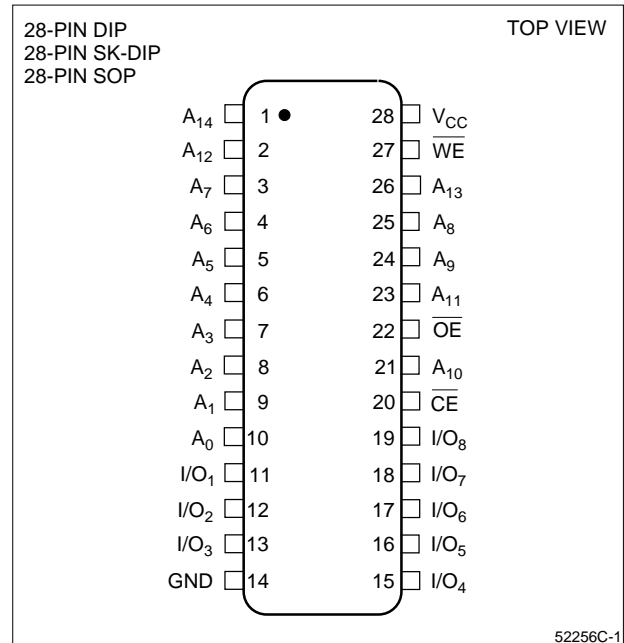


Figure 1. Pin Connections

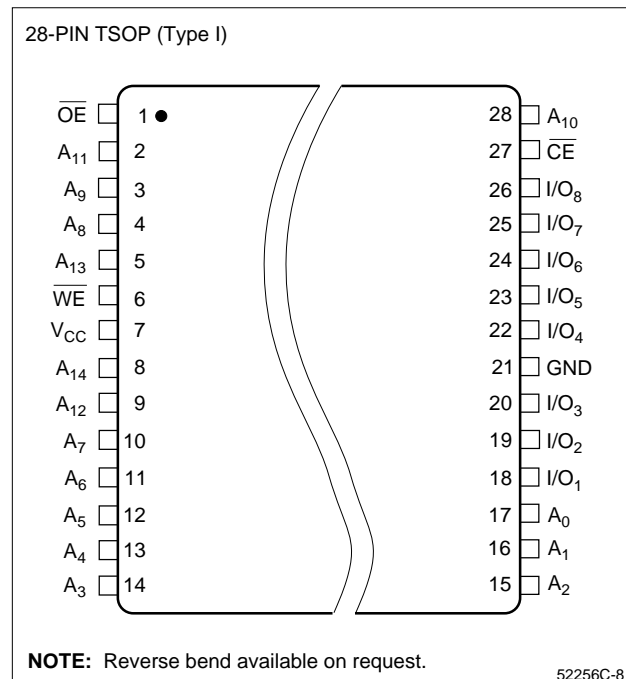


Figure 2. TSOP (Type I) Pin Connections

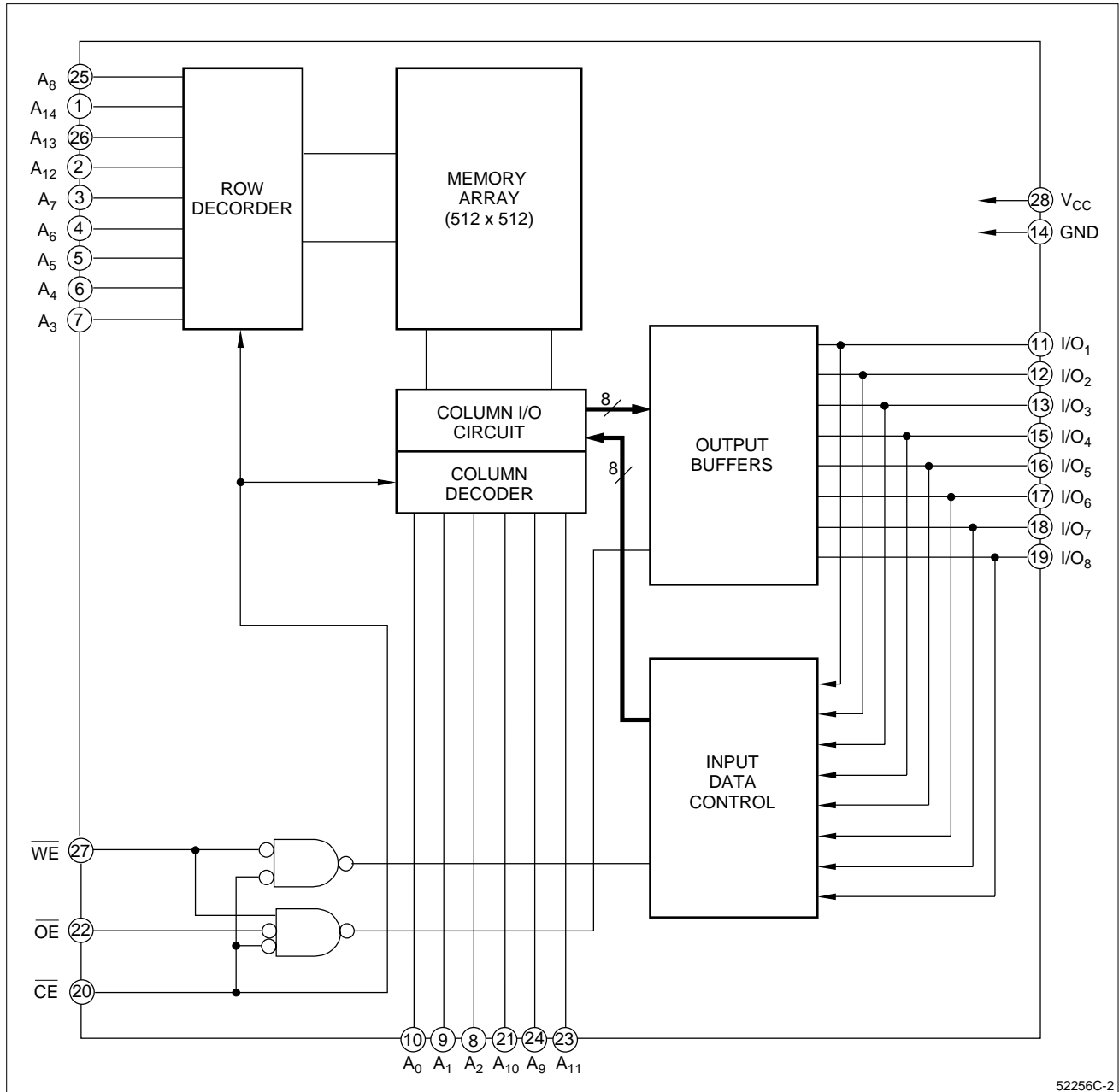


Figure 3. LH52256C Block Diagram

PIN DESCRIPTION

SIGNAL	PIN NAME
A ₀ - A ₁₄	Address inputs
CE	Chip enable
WE	Write enable
OE	Output enable

SIGNAL	PIN NAME
I/O ₁ - I/O ₈	Data inputs and outputs
V _{CC}	Power supply
GND	Ground

TRUTH TABLE

\overline{CE}	\overline{WE}	\overline{OE}	MODE	I/O ₁ - I/O ₈	SUPPLY CURRENT	NOTE
H	X	X	Standby	High impedance	Standby (I _{SB})	1
L	H	L	Read	Data output	Active (I _{CC})	1
L	H	H	Output disable	High impedance	Active (I _{CC})	1
L	L	X	Write	Data input	Active (I _{CC})	1

NOTE:

1. X = Don't care, L = Low, H = High

ABSOLUTE MAXIMUM RATINGS

PARAMETER	SYMBOL	RATING	UNIT	NOTE
Supply voltage	V _{CC}	-0.5 to +7.0	V	1
Input voltage	V _{IN}	-0.5 to V _{CC} + 0.5	V	1, 2
Operating temperature	T _{OPR}	0 to +70	°C	—
Storage temperature	T _{STG}	-65 to +150	°C	—

NOTES:

1. The maximum applicable voltage on any pin with respect to GND.
2. Undershoot of -3.0 V is allowed width of pulse below 50 ns.

RECOMMENDED DC OPERATING CONDITIONS (T_A = 0°C to +70°C)

PARAMETER	SYMBOL	MIN.	TYP.	MAX.	UNIT	NOTE
Supply voltage	V _{CC}	4.5	5.0	5.5	V	—
Input voltage	V _{IH}	2.2	—	V _{CC} + 0.5	V	—
	V _{IL}	-0.5	—	0.8	V	1

NOTE:

1. Undershoot of -3.0 V is allowed width of pulse below 50 ns.

DC ELECTRICAL CHARACTERISTICS (T_A = 0°C to +70°C, V_{CC} = 4.5 V to 5.5 V)

PARAMETER	SYMBOL	CONDITIONS	MIN.	TYP.	MAX.	UNIT
Input leakage current	I _{LI}	V _{IN} = 0 V to V _{CC}	-1.0	—	1.0	μA
Output leakage current	I _{LO}	CE = V _{IH} or OE = V _{IH} V _{IO} = 0 V to V _{CC}	-1.0	—	1.0	μA
Operating supply current	I _{CC}	Minimum cycle, V _{IN} = V _{IL} or V _{IH} I _{IO} = 0 mA, CE = V _{IL}	—	25	45.0	mA
	I _{CC1}	t _{RC} , t _{WC} = 1 μs, V _{IN} = V _{IL} or V _{IH} , I _{IO} = 0 mA, CE = V _{IL}	—	—	10.0	
Standby current	I _{SB}	CE ≥ V _{CC} - 0.2 V	—	0.6	40.0	μA
	I _{SB1}	CE = V _{IH}	—	—	3.0	mA
Output voltage	V _{OL}	I _{OL} = 2.1 mA	—	—	0.4	V
	V _{OH}	I _{OH} = -1.0 mA	2.4	—	—	

NOTE:

Typical values at V_{CC} = 5.0 V, T_A = 25°C

**AC ELECTRICAL CHARACTERISTICS
AC Test Conditions**

PARAMETER	MODE	NOTE
Input pulse level	0.6 V to 2.4 V	—
Input rise and fall time	10 ns	—
Input and output timing Ref. level	1.5 V	—
Output load	1 TTL + C _L (100 pF)	1

NOTE:

1. Including scope and jig capacitance.

READ CYCLE (T_A = 0°C to +70°C, V_{CC} = 4.5 V to 5.5 V)

PARAMETER	SYMBOL	MIN.	MAX.	UNIT	NOTE
Read cycle time	t _{RC}	70	—	ns	—
Address access time	t _{AA}	—	70	ns	—
CE access time	t _{ACE}	—	70	ns	—
Output enable to output valid	t _{OE}	—	35	ns	—
Output hold from address change	t _{OH}	10	—	ns	—
CE Low to output active	t _{LZ}	10	—	ns	1
OE Low to output active	t _{OLZ}	5	—	ns	1
CE High to output in High impedance	t _{HZ}	0	30	ns	1
OE High to output in High impedance	t _{OHZ}	0	30	ns	1

NOTES:

1. Active output to high-impedance and high-impedance to output active tests specified for a ±200 mV transition from steady state levels into the test load.

WRITE CYCLE ($T_A = 0^\circ\text{C}$ to $+70^\circ\text{C}$, $V_{CC} = 4.5\text{ V}$ to 5.5 V)

PARAMETER	SYMBOL	MIN.	MAX.	UNIT	NOTE
Write cycle time	t_{WC}	70	—	ns	—
CE Low to end of write	t_{CW}	45	—	ns	—
Address valid to end of write	t_{AW}	45	—	ns	—
Address setup time	t_{AS}	0	—	ns	—
Write pulse width	t_{WP}	35	—	ns	—
Write recovery time	t_{WR}	0	—	ns	—
Input data setup time	t_{DW}	30	—	ns	—
Input data hold time	t_{DH}	0	—	ns	—
\overline{WE} High to output active	t_{OW}	5	—	ns	1
\overline{WE} Low to output in High impedance	t_{WZ}	0	30	ns	1
\overline{OE} High to output in High impedance	t_{OHZ}	0	30	ns	1

NOTE:

- Active output to high-impedance and high-impedance to output active tests specified for a $\pm 200\text{ mV}$ transition from steady state levels into the test load.

CAPACITANCE ($T_A = 25^\circ\text{C}$, $f = 1\text{ MHz}$)

PARAMETER	SYMBOL	CONDITIONS	MIN.	TYP.	MAX.	UNIT	NOTE
Input capacitance	C_{IN}	$V_{IN} = 0\text{ V}$	—	—	7	pF	1
I/O capacitance	$C_{I/O}$	$V_{I/O} = 0\text{ V}$	—	—	10	pF	1

NOTE:

- This parameter is sampled and not production tested.

DATA RETENTION CHARACTERISTICS ($T_A = 0^\circ\text{C}$ to $+70^\circ\text{C}$)

PARAMETER	SYMBOL	CONDITIONS	MIN.	TYP.	MAX.	UNIT	NOTE	
Data retention supply voltage	V_{CCDR}	$\overline{CE} \geq V_{CCDR} - 0.2\text{ V}$	2.0	—	5.5	V	—	
Data retention supply current	I_{CCDR}	$V_{CCDR} = 3.0\text{ V}$	$T_A = 25^\circ\text{C}$	—	0.3	1.0	μA	—
			$T_A = 40^\circ\text{C}$	—	—	3.0		—
		$\overline{CE} \geq V_{CCDR} - 0.2\text{ V}$					15	
Chip enable setup time	t_{CDR}	—	0	—	—	ns	—	
Chip enable hold time	t_R	—	t_{RC}	—	—	ns	1	

NOTE:

- t_{RC} = Read cycle time.
- Typical values at $T_A = 25^\circ\text{C}$

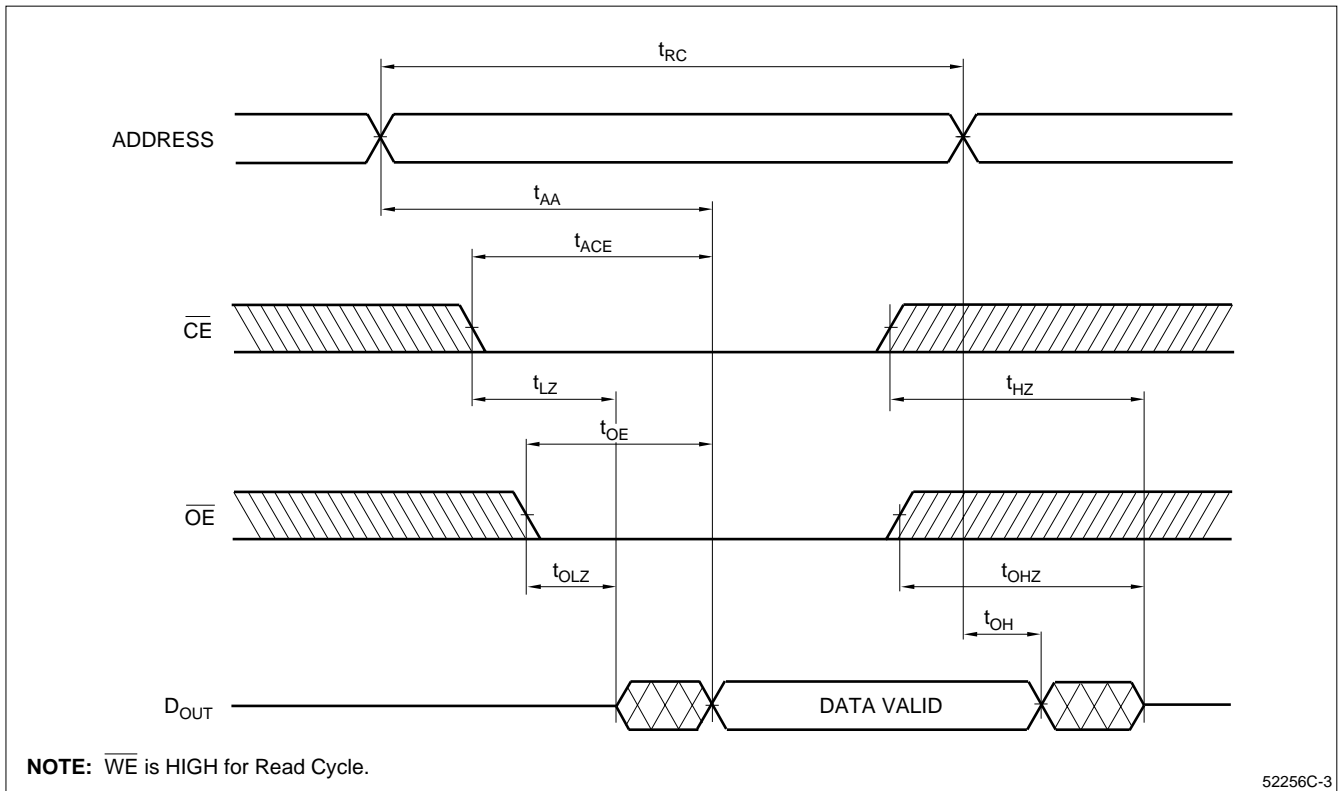
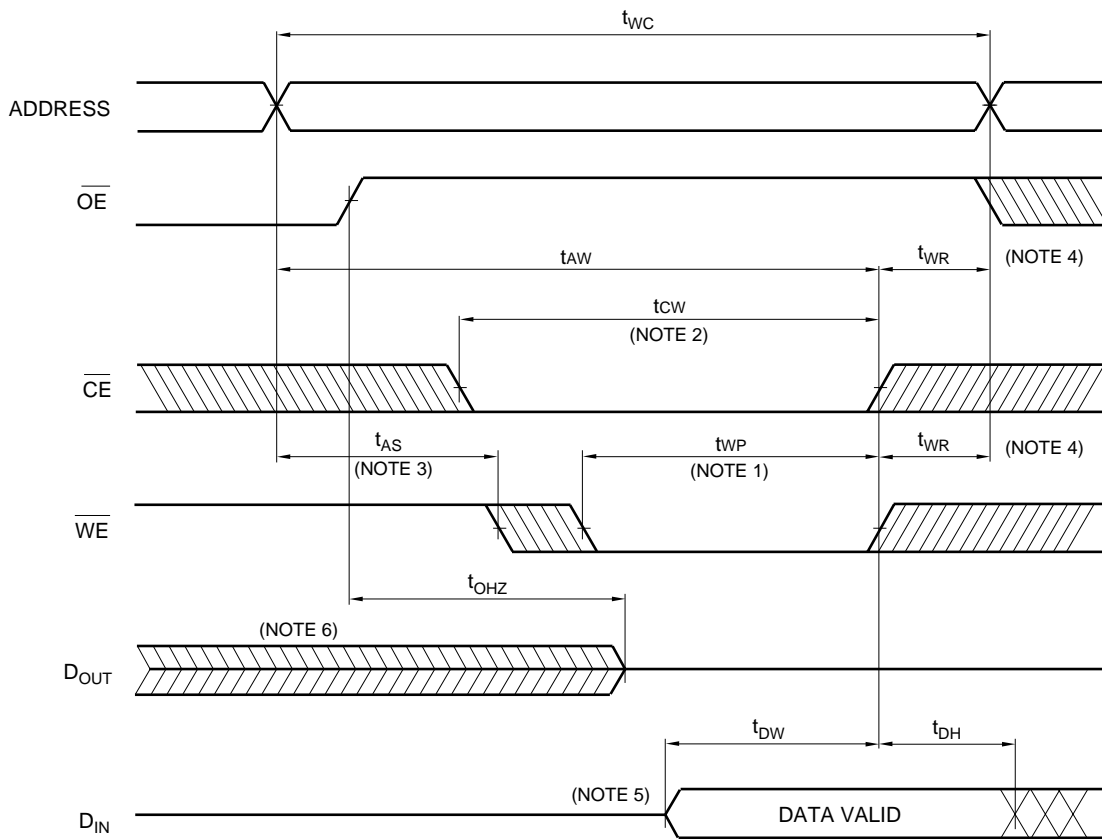


Figure 4. Read Cycle

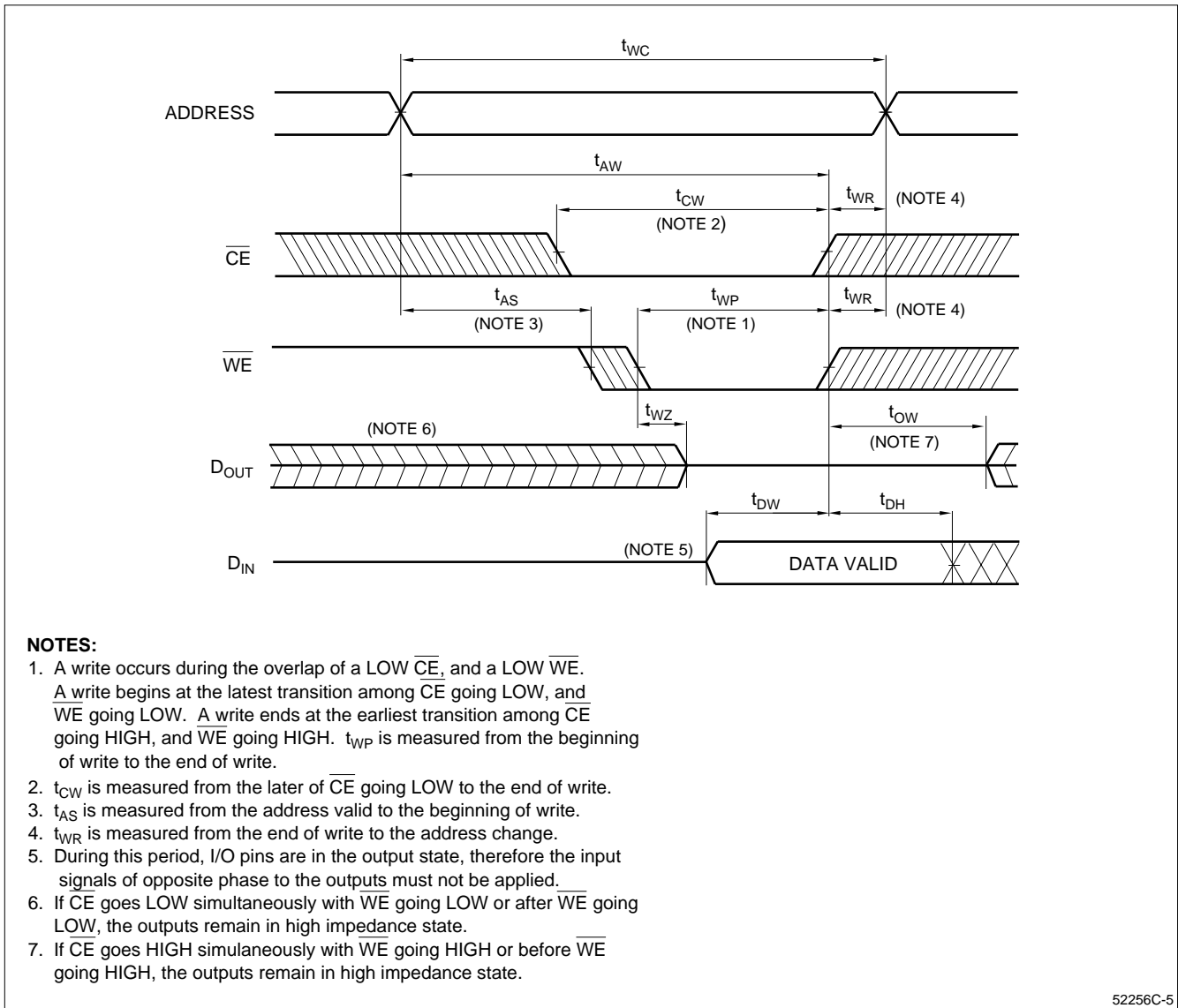


NOTES:

1. A write occurs during the overlap of a LOW \overline{CE} , and a LOW \overline{WE} .
A write begins at the latest transition among \overline{CE} going LOW, and \overline{WE} going LOW. A write ends at the earliest transition among \overline{CE} going HIGH, and \overline{WE} going HIGH. t_{WP} is measured from the beginning of write to the end of write.
2. t_{CW} is measured from the later of \overline{CE} going LOW to the end of write.
3. t_{AS} is measured from the address valid to the beginning of write.
4. t_{WR} is measured from the end of write to the address change.
5. During this period, I/O pins are in the output state, therefore the input signals of opposite phase to the outputs must not be applied.
6. If \overline{CE} goes LOW simultaneously with \overline{WE} going LOW or after \overline{WE} going LOW, the outputs remain in high impedance state.
7. If \overline{CE} goes HIGH simultaneously with \overline{WE} going HIGH or before \overline{WE} going HIGH, the outputs remain in high impedance state.

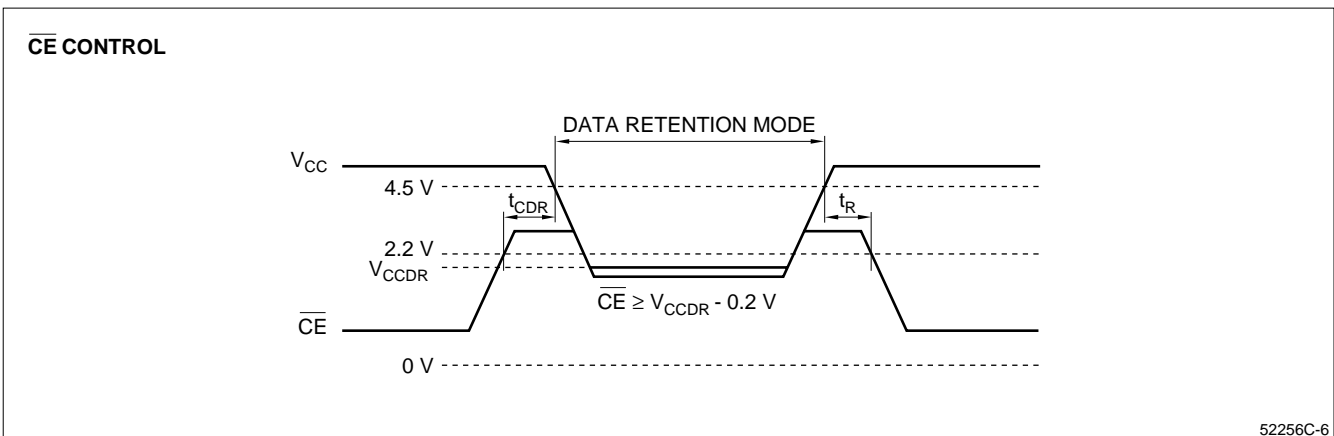
52256C-4

Figure 5. Write Cycle (OE Controlled)



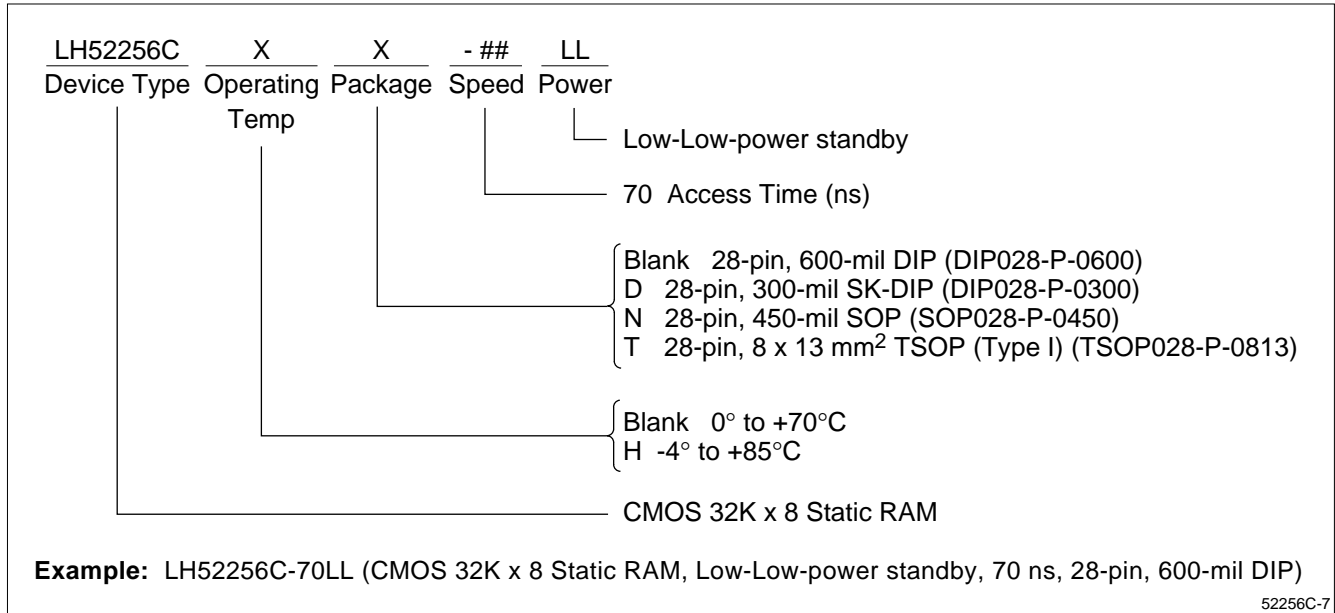
52256C-5

Figure 6. Write Cycle (\overline{OE} Low Fixed)



52256C-6

ORDERING INFORMATION



SPECIFICATIONS ARE SUBJECT TO CHANGE WITHOUT NOTICE.

Suggested applications (if any) are for standard use; See Important Restrictions for limitations on special applications. See Limited Warranty for SHARP's product warranty. The Limited Warranty is in lieu, and exclusive of, all other warranties, express or implied. ALL EXPRESS AND IMPLIED WARRANTIES, INCLUDING THE WARRANTIES OF MERCHANTABILITY, FITNESS FOR USE AND FITNESS FOR A PARTICULAR PURPOSE, ARE SPECIFICALLY EXCLUDED. In no event will SHARP be liable, or in any way responsible, for any incidental or consequential economic or property damage.

SHARP®

NORTH AMERICA

SHARP Microelectronics
of the Americas
5700 NW Pacific Rim Blvd.
Camas, WA 98607, U.S.A.
Phone: (360) 834-2500
Fax: (360) 834-8903
<http://www.sharpsma.com>

EUROPE

SHARP Microelectronics Europe
Sonninstraße 3
20097 Hamburg, Germany
Phone: (49) 40 2376-2286
Fax: (49) 40 2376-2232
<http://www.sharpsme.com>

ASIA

SHARP Corporation
Integrated Circuits Group
2613-1 Ichinomoto-Cho
Tenri-City, Nara, 632, Japan
Phone: +81-743-65-1321
Fax: +81-743-65-1532
<http://www.sharp.co.jp>

Looking for pricing, stock, or lifecycle information?

Click below to explore more details on WIN SOURCE:

- ⊖ [View LH52256CN-70LL on WIN SOURCE](#)
- ⊖ [Sharp Microelectronics Information](#)

Optimize Your Supply Chain with WIN SOURCE Solutions

- ✓ Global Sourcing Solution
- ✓ Obsolete Management
- ✓ Cost Control Management
- ✓ Shortage Management
- ✓ Alternative Solution
- ✓ Excess Inventory Management