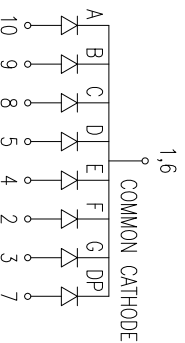
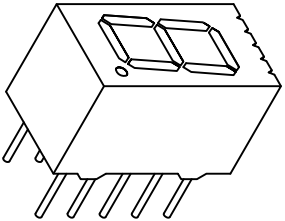
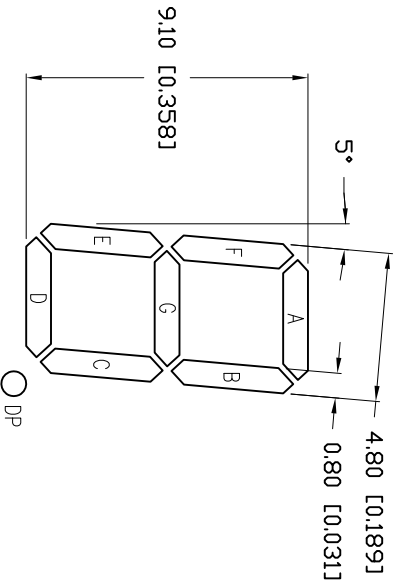
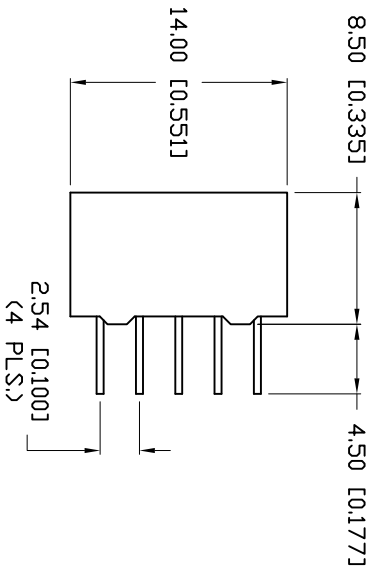




THE DATASHEET OF LDS-C322RI



PART NUMBER	LDS-C322R1		REV.	D
DATE	E.C.N. NUMBER AND REVISION COMMENTS		REV.	
08.31.93	REDRAWN.		A	
11.09.98	E.C.N. #10BRDR.		B	
03.23.03	E.C.N. #10BRDR. & REDRAWN.		C	
03.21.13	E.C.N. #10BRDR. & REDRAWN.		D	



ELECTRO-OPTICAL CHARACTERISTICS TA=25°C If=10mA



PARAMETER	MIN	TYP	MAX	UNITS	TEST COND
PEAK WAVELENGTH		565		nm	
FORWARD VOLTAGE		2.2	2.6	Vf	If=100µA
REVERSE VOLTAGE		5.0		Vr	If=10mA
AXIAL INTENSITY			2500	µcd	
EMITTED COLOR:		GREEN			
FACE COLOR:		GRAY			
SEGMENT COLOR:		MILKY WHITE DIFFUSED			

LIMITS OF SAFE OPERATION AT 25°C PER DIE

PARAMETER	MAX	UNITS
PEAK FORWARD CURRENT*	150	mA
STEADY CURRENT	25	mA
POWER DISSIPATION	105	mW
DERATE FROM 25°C	-1.6	mW/°C
OPERATING, STORAGE TEMP.	-40 TO +85	°C
SOLDERING TEMP.	+260	°C
2.0mm FROM BODY		3 SEC. MAX
* If<10µS		

Looking for pricing, stock, or lifecycle information?

Click below to explore more details on WIN SOURCE:

-  [View LDS-C322RI on WIN SOURCE](#)
-  [Lumex Opto/Components Inc. Information](#)

Optimize Your Supply Chain with WIN SOURCE Solutions

-  Global Sourcing Solution
-  Obsolete Management
-  Cost Control Management
-  Shortage Management
-  Alternative Solution
-  Excess Inventory Management