



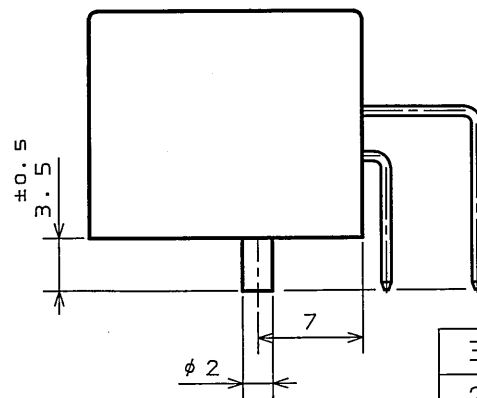
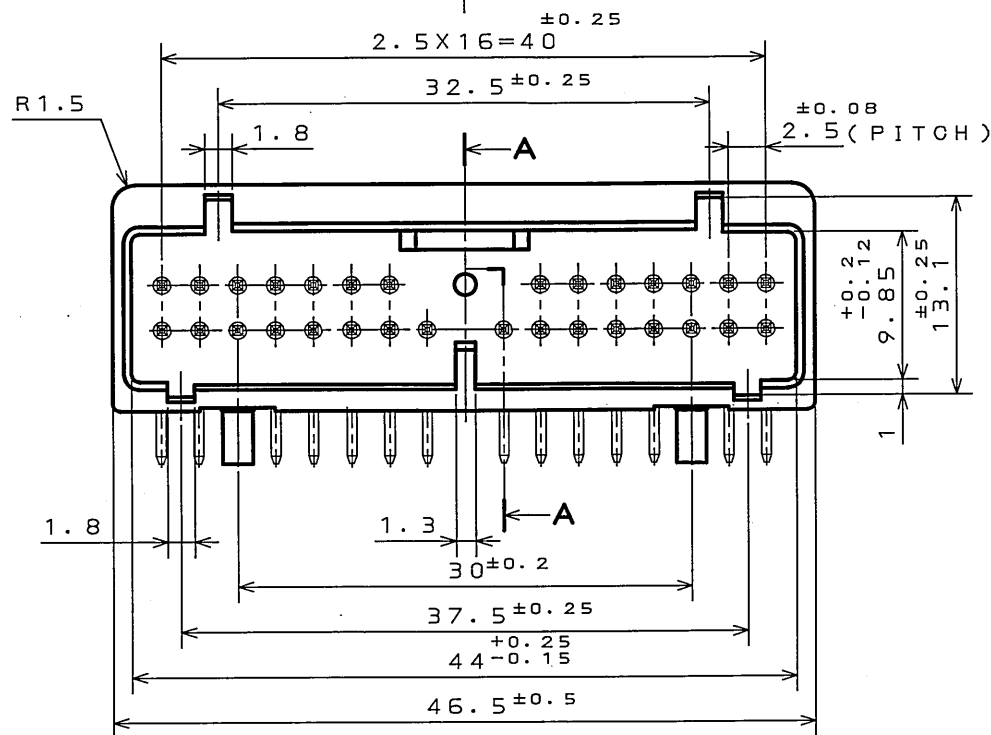
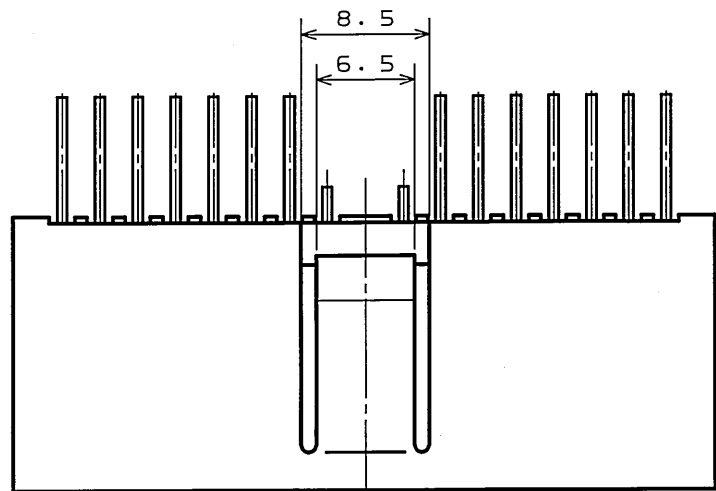
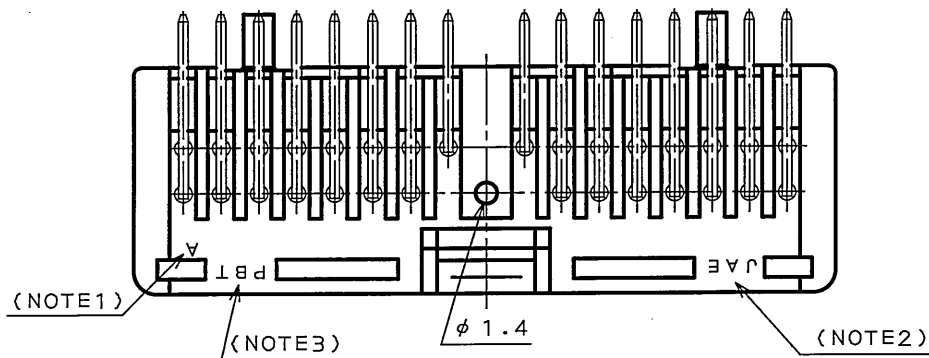
**THE DATASHEET OF
IL-AG5-30P-D3L2**



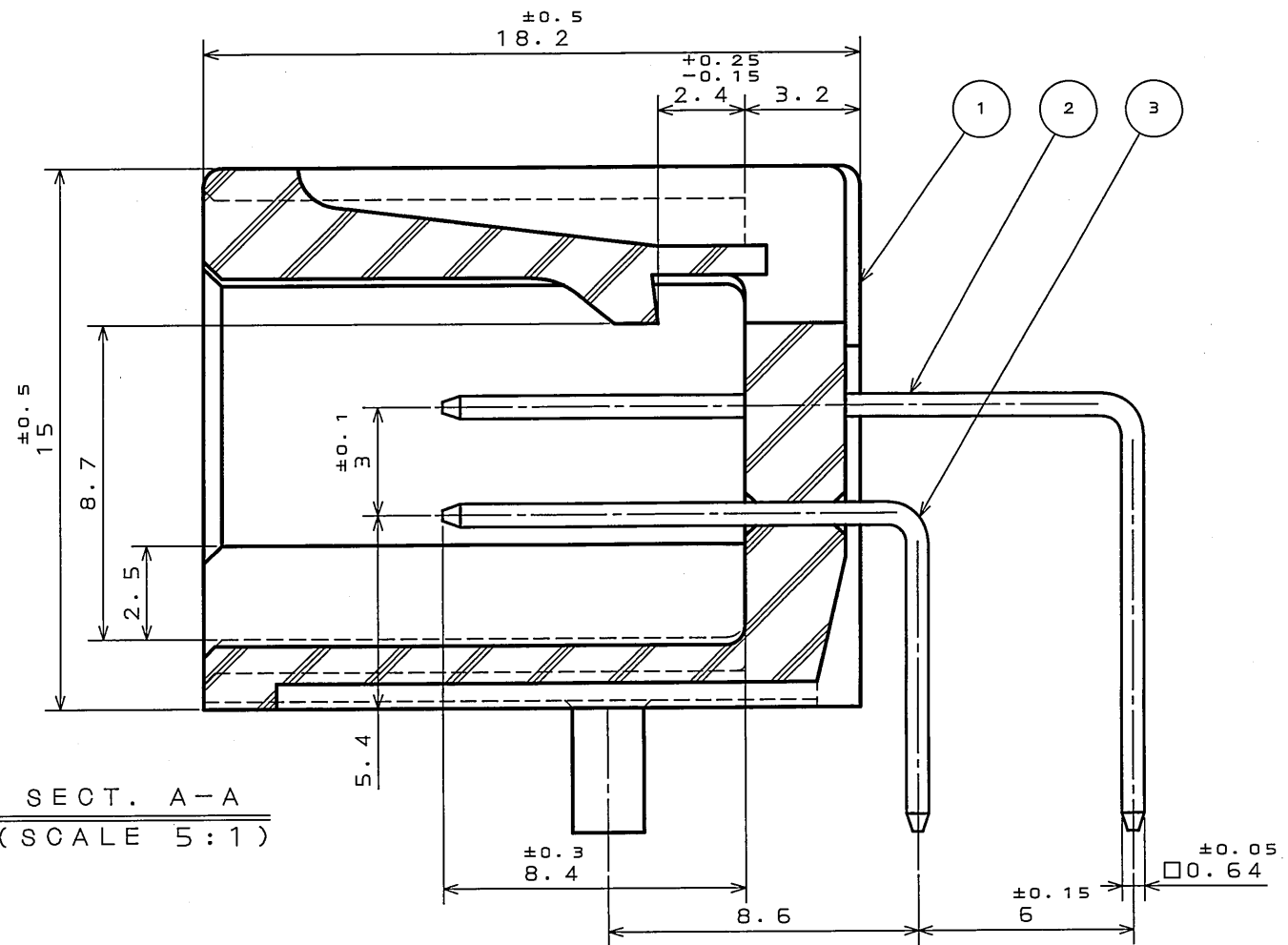
L9ZEZ0RS

(ON 0NIMVHD)台景图

版数 REV.	年月日 DATE	DCN NO.	変更内容 DESCRIPTION	製図 DR.	担当 CHK.	査閲 APPD.	承認 APPD.
5	8.Sep.2003	053208	REDRAWN AND CHANGED ENGLISH NOTES		S.HARA	T. Ohno	H. Higashi



SECT. A-A
(SCALE 5:1)



- △ NOTE1. MOLD CAVITY DESIGNATOR APPEARS IN RAISED LETTERS.
 2. COMPANY LOGO "JAE" APPEARS IN RAISED LETTERS.
 3. MATERIAL MARK APPEARS IN RAISED LETTERS.
 △ 4. CONTACT TIP IS NOT PLATED AT POINT OF BREAK OFF.
 注1. 金型マークを浮き出す。
 2. 社標を浮き出す。
 3. 材料マークを浮き出す。
 4. コンタクト先端部に、めっきは付かない。

符号 NO.	名称 DESCRIPTION	個数 QTY.	材料 MATERIAL	仕上 FINISH	備考 REMARKS
3	CONTACT B	16	BRASS	TIN PLATING	
2	CONTACT A	14	BRASS	TIN PLATING	
1	INSULATOR	1	P B T		COLOR: GREEN

仕様書 (SPECIFICATION)	第1版 (ORIGINAL DATE)	尺度 (SCALE)	社名 (COMPANY)
JACS-1309-*	11.Nov.1988	2:1	IL-A05 日本航空電子工業株式会社
公差 (GENERAL TOLERANCE)	製図 (DRAWING)	名称 (TITLE)	Reference Only
寸法 (DIMENSION)	担当 (CHK.)	IL-A05-30P-D3L2	JAPAN AVIATION ELECTRONICS INDUSTRY, LTD.
角度 (ANGLES)	査閲 (APPD.)		
. ± 0.2 X° ±	承認 (APPD.)		
.X ± 0.2 X°X ±		重量 (WEIGHT)	図面番号 (DRAWING NO.)
.XX ±			SJ023261
.XXX ±			版数 (REV.)
			5

DOF-0-212E(03.08)



Looking for pricing, stock, or lifecycle information?

Click below to explore more details on WIN SOURCE:

 [View IL-AG5-30P-D3L2 on WIN SOURCE](#)

 [JAE Electronics](#) Information

Optimize Your Supply Chain with WIN SOURCE Solutions

-  Global Sourcing Solution
-  Obsolete Management
-  Cost Control Management
-  Shortage Management
-  Alternative Solution
-  Excess Inventory Management