

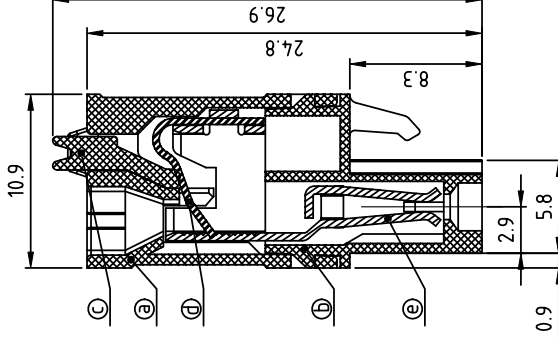
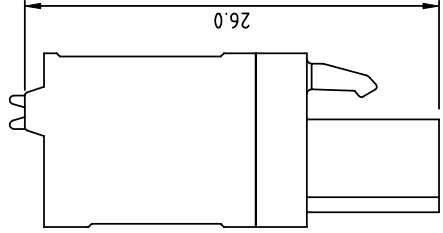
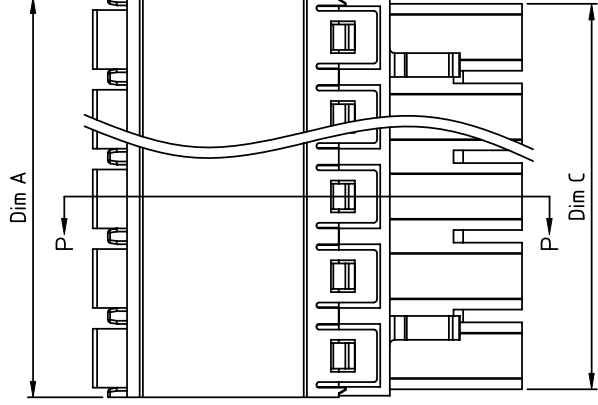
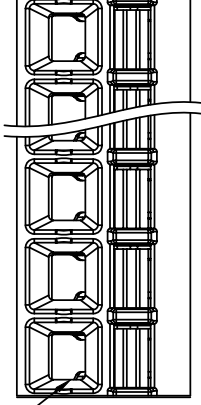


**THE DATASHEET OF
KD167050000G**

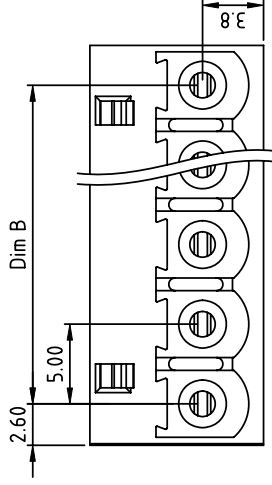


PRODUCT NUMBER	PITCH
KDxx70x000J0G	5.00 mm

□ 3.0x2.3



SECTION P-P



PART NO.: KD xx 7 0 x 0 00J

- Solid block 0
- No. of poles 02
- 2 poles 03
- 3 poles ...
- 24 poles 24

Color

- Black (RAL9005) 0
- Red (RAL3001/D) 2
- Orange(RAL2011//) 3
- Yellow(RAL1018//) 4
- Green(RAL6018//T) 5
- Blue (RAL5015//A) 6
- Grey(RAL7035//D) 8
- White(RAL1102) 9
- Green(RAL6018//U) C

Material:

- Item@Top bo
- Item@Bottom
- Item@Termin
- Item@Spring
- Item@Female

Electrical:

- Voltage ratin
- Current ratin
- Wire range:
- Solid wire(AW
- Stranded wire
- Wire strip ler
- Withstanding
- Operating tem
- Safety Appra

mat'l. code	surface	tolerances unless oth
ltr	ecn no	dr date
	angles	>
	X	X
	X	X
	X	X
	dr	EVIN ZHON
	engr	EVIN ZHON
	chr	HANKE FEI
	appd	SHI JUN
sheet index	revision sheet	A 1

form: A4mmXLc

Looking for pricing, stock, or lifecycle information?

Click below to explore more details on WIN SOURCE:

-  [View KD167050000G on WIN SOURCE](#)
-  [Amphenol Anytek Information](#)

Optimize Your Supply Chain with WIN SOURCE Solutions

-  Global Sourcing Solution
-  Obsolete Management
-  Cost Control Management
-  Shortage Management
-  Alternative Solution
-  Excess Inventory Management