



THE DATASHEET OF
887577810



6

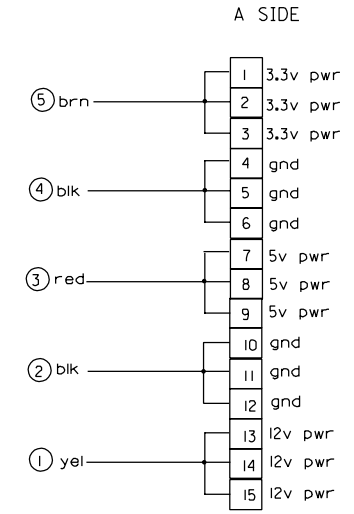
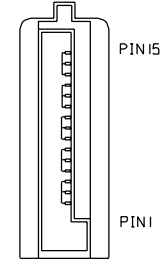
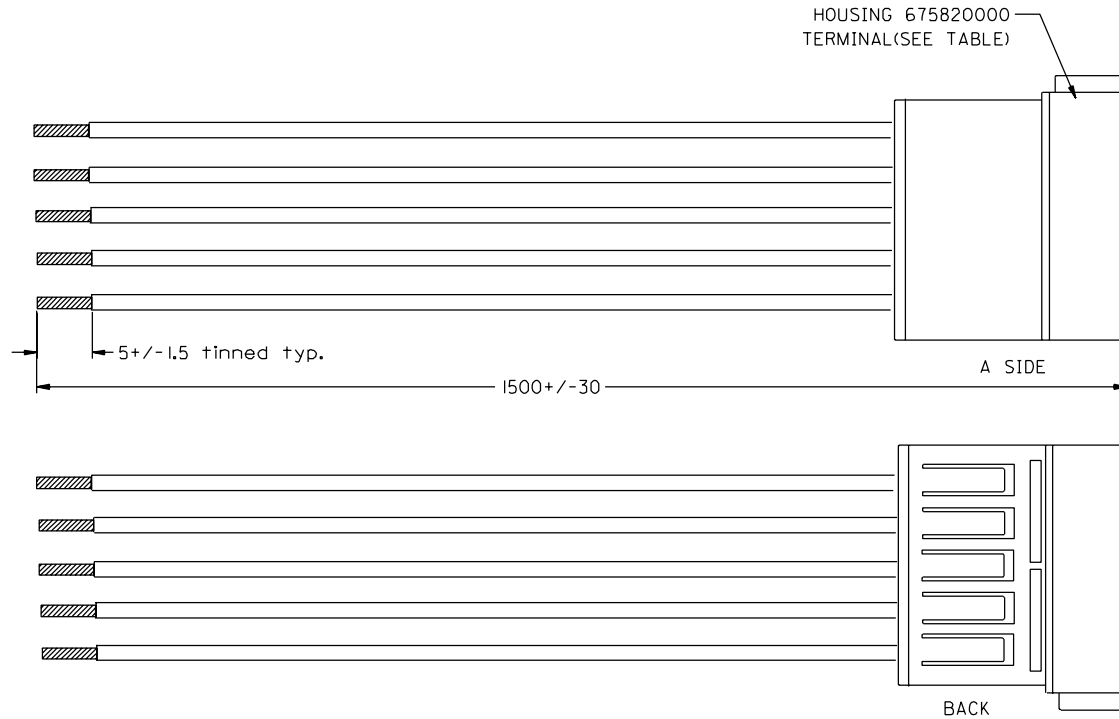
5

4

3

2

1



8875778 II	6758 10001 30u'
8875778 IO	6758 10000 GOLD FLASH
MATERIAL NO.	TERMINAL

5	UL 1007 #18 BRN 887711305
4	UL 1007 #18 BLK 887711300
3	UL 1007 #18 RED 887711301
2	UL 1007 #18 BLK 887711300
1	UL 1007 #18 YEL 887711303
Item	WIRE TYPE

NOTE: 1. ELECTRIC PERFORMANCE:
 ▽ DIELECTRIC STRENGTH: 500 V DC/0.01Sec.
 INSULATION RESISTANCE: 100M OHMS Min.
 CONDUCTIVE RESISTANCE: 2 OHMS Max.
 2. HOUSING 675820000:
 POLYESTER(PBT), UL94V-0(BLACK)

EC NO. A1	DRWN: BENTZ 02/08/08 CHK: APPR:	DESCRIPTION REV	QUALITY SYMBOLS MAJOR ▽ = CRITICAL ▽ = I	GENERAL TOLERANCES: (UNLESS SPECIFIED)		SCALE	DESIGN UNITS <input type="checkbox"/> mm <input type="checkbox"/> INCH	THIRD ANGLE PROJECTION	DIMENSIONS: <input type="checkbox"/> mm <input type="checkbox"/> INCH <input type="checkbox"/> mm ONLY		SHT	REV
				4 PLACES ±0.	±.	DRAWN BY & DATE BENTZ 02/08/08	TITLE: S-ATA POWER CABLE ASSEMBLY					
				3 PLACES ±0.	±.	CHECKED BY & DATE Tony Wong 02/08/08	MATERIAL NO. SEE TABLE		DRAWING NO. SD-88755-005	SHEET NO. 1 OF 1		
				2 PLACES ±0.	±.	APPROVED BY & DATE Tony Wong 02/08/08	CAD FILENAME S88755AE.S01		THIS DRAWING CONTAINS INFORMATION THAT IS PROPRIETARY TO MOLEX INCORPORATED AND SHOULD NOT BE USED WITHOUT WRITTEN PERMISSION.		SIZE A4	
				1 PLACE ±0.	±.	ANGULAR: ± °		MOLEX INCORPORATED				

6

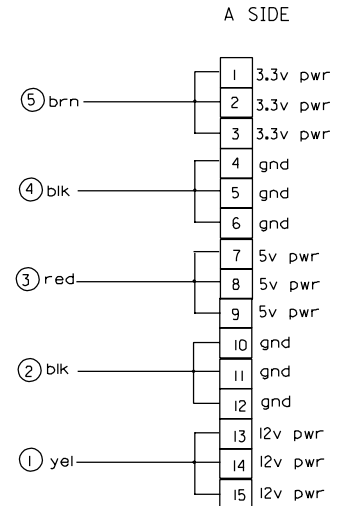
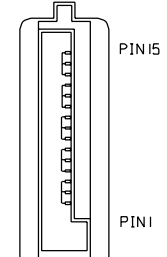
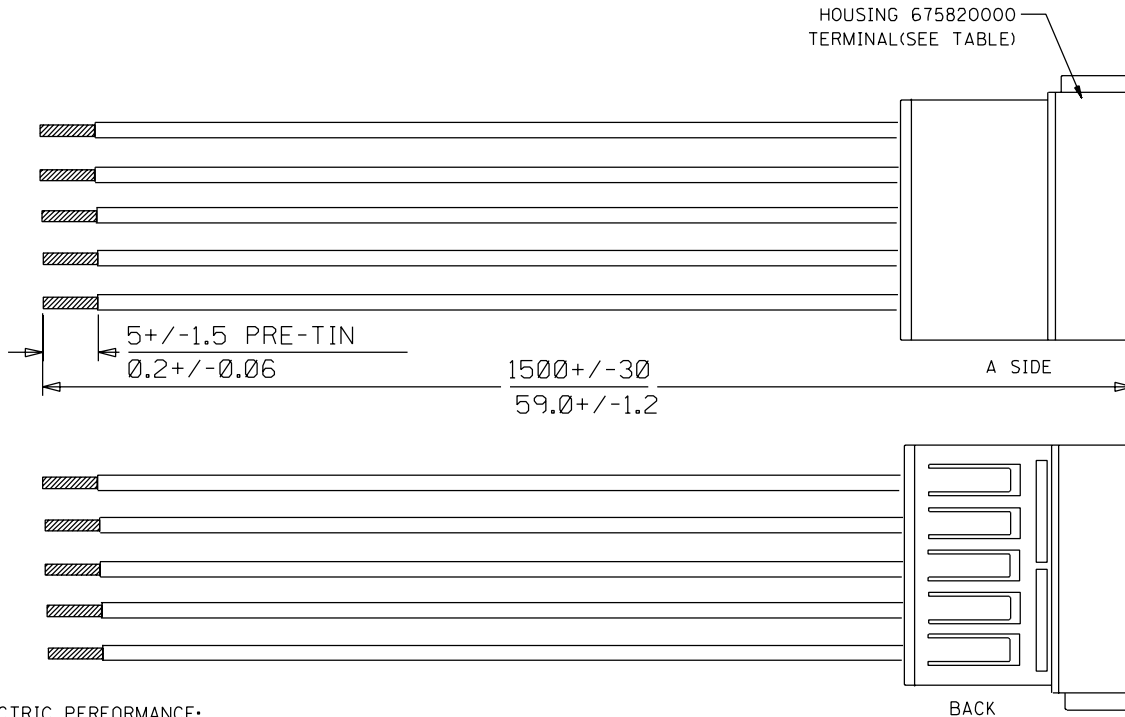
5

4

3

2

1



NOTE: 1. ELECTRIC PERFORMANCE:
 DIELECTRONIC STRENGTH: 500 V DC/0.01Sec.
 INSULATION RESISTANCE: 100M OHMS Min.
 CONDUCTIVE RESISTANCE: 2 OHMS Max.
 2. HOUSING 675820000:
 POLYESTER(PBT), UL94V-0(BLACK)

887577811	675810001 30u" Gold-plated
887577810	675810000 GOLD FLASH
MATERIAL NO.	TERMINAL

TABLE

5	UL1007 #18 BRN 887711305
4	UL1007 #18 BLK 887711300
3	UL1007 #18 RED 887711301
2	UL1007 #18 BLK 887711300
1	UL1007 #18 YEL 887711303
Item	WIRE TYPE

CONNECTION DIAGRAM

EC NO. DRWN: Louis 04/03/23 CHK: APPR:	EC NO. DRWN: BENITZ 02/08/08 CHK: APPR:	DESCRIPTION REV	QUALITY SYMBOLS MAJOR ▼ = 0 CRITICAL ▽ = 0	GENERAL TOLERANCES: (UNLESS SPECIFIED)		SCALE	DESIGN UNITS <input checked="" type="checkbox"/> mm <input type="checkbox"/> INCH	THIRD ANGLE <input checked="" type="checkbox"/> mm <input type="checkbox"/> INCH PROJECTION	DIMENSIONS: <input type="checkbox"/> mm <input type="checkbox"/> INCH <input checked="" type="checkbox"/> mm <input type="checkbox"/> ONLY		SHT	REV
				4 PLACES ±0.	±.	DRAWN BY & DATE BENTZ 02/08/08	TITLE: S-ATA POWER TO PIGTAIL CABLE ASSEMBLY 1.5M (3.3V+5V+12V)					
				3 PLACES ±0.	±.	CHECKED BY & DATE Tony Wong 02/08/08	MOLEX INCORPORATED					
				2 PLACES ±0.	±.	APPROVED BY & DATE Tony Wong 02/08/08	MATERIAL NO. SEE TABLE	DRAWING NO. SD-88755-005	SHEET NO. 1 OF 1			
				1 PLACE ±0.	±.	ANGULAR: ± °	CAD FILENAME S88755AE.S01	THIS DRAWING CONTAINS INFORMATION THAT IS PROPRIETARY TO MOLEX INCORPORATED AND SHOULD NOT BE USED WITHOUT WRITTEN PERMISSION.		SIZE A4		

Looking for pricing, stock, or lifecycle information?

Click below to explore more details on WIN SOURCE:

 [View 887577810 on WIN SOURCE](#)

 [Molex, LLC Information](#)

Optimize Your Supply Chain with WIN SOURCE Solutions

-  Global Sourcing Solution
-  Obsolete Management
-  Cost Control Management
-  Shortage Management
-  Alternative Solution
-  Excess Inventory Management