



**THE DATASHEET OF  
JX00-0027NL**

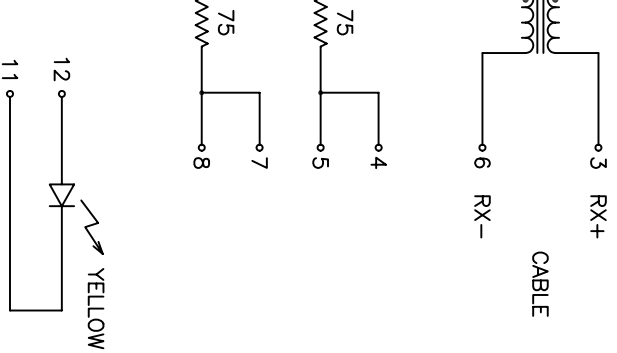




ELECTRICAL CHARACTERISTICS AT +25°C UNLESS OTHER SPECIFIED  
MEETS IEEE 802.3 SPECIFICATION

PARAMETER	SPECIFICATIONS	
OPERATING TEMP	-40°C - +85°C	
TURNS RATIO	1 : 1 ±2%	
POLARITY	PER SCHEMATIC	
INSERTION LOSS	100 KHz	1-125 MHz
	-1.2 DB MAX	-0.2-0.002*f <sup>1.4</sup> DB MAX
RETURN LOSS (Z OUT = 100 OHM±15%)	.1-30 MHz	30-60 MHz
	-16 DB MIN	-10+20*LOG <sub>10</sub> (f/60 MHz) DB MIN
INDUCTANCE (OCL) (MEDIA SIDE, -40°C~+85°C)	350 uH MIN	(MEASURED AT 100 KHz, 100 mV <sub>RMS</sub> ) (AND WITH 8 mA DC BIAS)
	1 MHz	10-100 MHz
CROSSTALK, ADJACENT CHANNELS	-50 DB MIN	-50+17*LOG <sub>10</sub> (f/10) DB MIN
	2 MHz	30-200 MHz
COMMON MODE REJECTION RATIO	-50 DB MIN	-15+20*LOG <sub>10</sub> (f/200) DB MIN
DC RESISTANCE 1/2 WINDING	.60 OHMS MAX	
DC RESISTANCE IMBALANCE	±.065 OHMS MAX (CENTER TAP SYMMETRY)	
INPUT - OUTPUT ISOLATION	1500 VRMS MIN @ 60 SECONDS	

NOTE: f IS FREQUENCY IN MHZ.

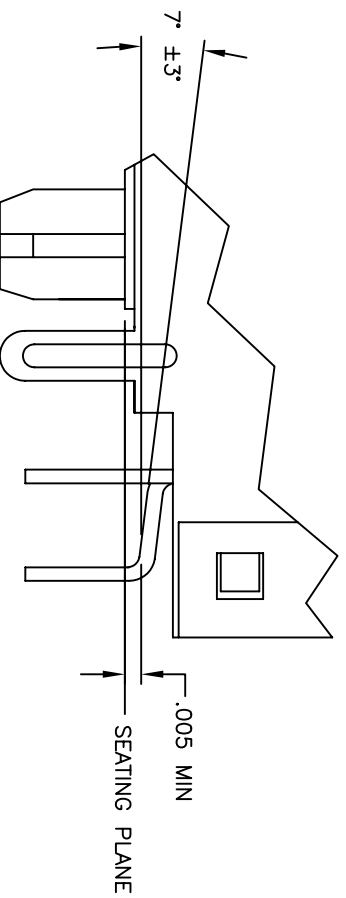
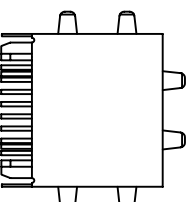
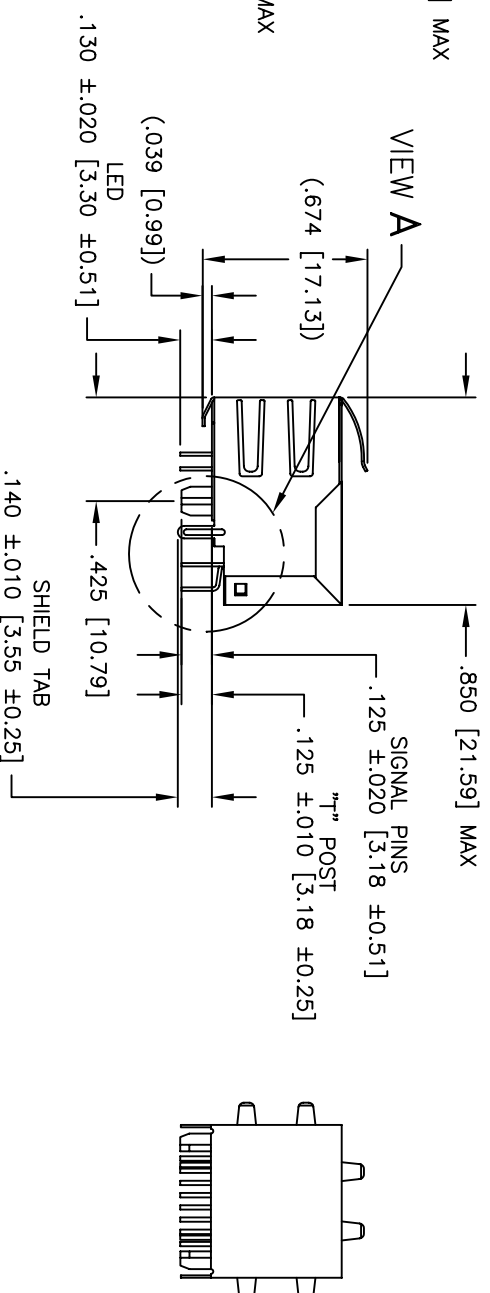


EMMITTED COLOR	GREEN	YELLOW
WAVELENGTH (nm)	565 nm	586 nm
BRIGHTNESS (mcd)	6 TO 8 TYP. @ 10mA	5 TO 7 TYP. @ 10mA
VIEWING ANGLE	85 - 100°	85 - 100°
POWER DISSIPATION (Pd)	80 mW MAX	105 mW MAX
PEAK FORWARD CURRENT	150 mA MAX	150 mA MAX
FORWARD VOLTAGE (Vf)	2.1 TO 2.6 V	2.1 TO 2.6 V

NOTE: PER VENDOR'S SPECIFICATIONS

All rights reserved. Pulse confidential & proprietary. (05/13/14)

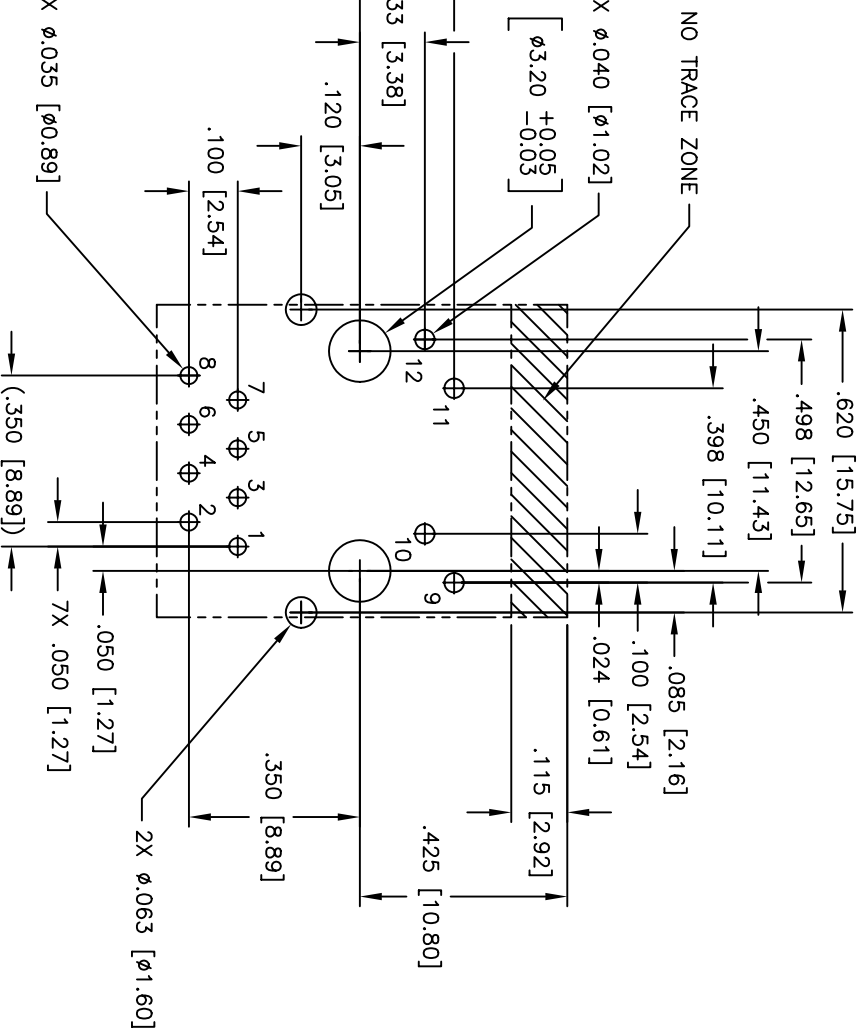
TLA DRAWING	PS DRAWING	SHEET	PART NO.	DATASHEET REV.
00-0027NL-11	PS-2163.001-G	2 OF 4	JX00-0027NL	A



WITH THE FOLLOWING  
REFERENCE ONLY.

All rights reserved. Pulse confidential & proprietary. (05/13/14)

PS DRAWING	PS DRAWING	SHEET	PART NO.	DATASHEET REV.
00-0027NL-11	PS-2163.001-G	3 OF 4	JX00-0027NL	A
ELECTRONICS.COM(Asia) PHONE: USA:858 674 8100, GERMANY:49 7032 78060, SINGAPORE:65 6287 8998, SHANGHAI:86 21 62787060, TAIWAN:886 3 4356768				



SUGGESTED PC BOARD LAYOUT VIEWED FROM COMPONENT SIDE

WITH THE FOLLOWING  
REFERENCE ONLY.

All rights reserved. Pulse confidential & proprietary. (05/13/14)


TI TLA DRAWING	PS DRAWING	SHEET	PART NO.	DATASHEET REV.
000-0027NL-11	PS-2163.001-G	4 OF 4	JX00-0027NL	A

ELECTRONICS.COM(Asia) PHONE: USA:858 674 8100, GERMANY:49 7032 78060, SINGAPORE:65 6287 8998, SHANGHAI:86 21 62787060, TAIWAN:886 3 4356768

## Looking for pricing, stock, or lifecycle information?

Click below to explore more details on WIN SOURCE:

 [View JX00-0027NL on WIN SOURCE](#)

 [Pulse Information](#)

## Optimize Your Supply Chain with WIN SOURCE Solutions

-  Global Sourcing Solution
-  Obsolete Management
-  Cost Control Management
-  Shortage Management
-  Alternative Solution
-  Excess Inventory Management