

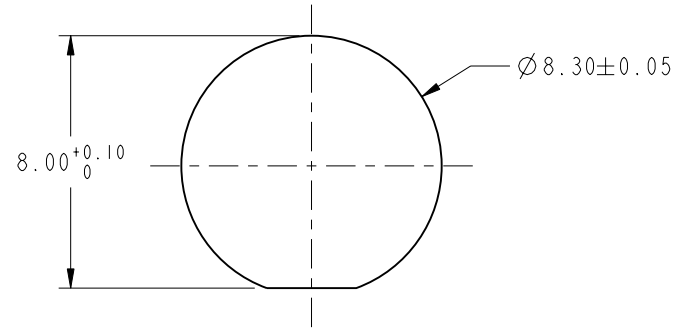


# THE DATASHEET OF APH-HD-ISO-1023

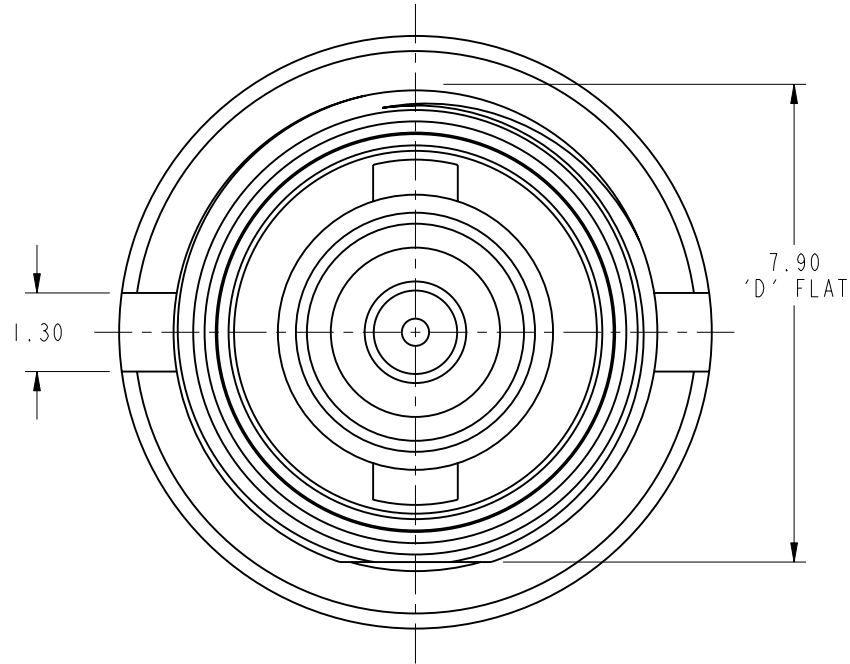


NOTES:

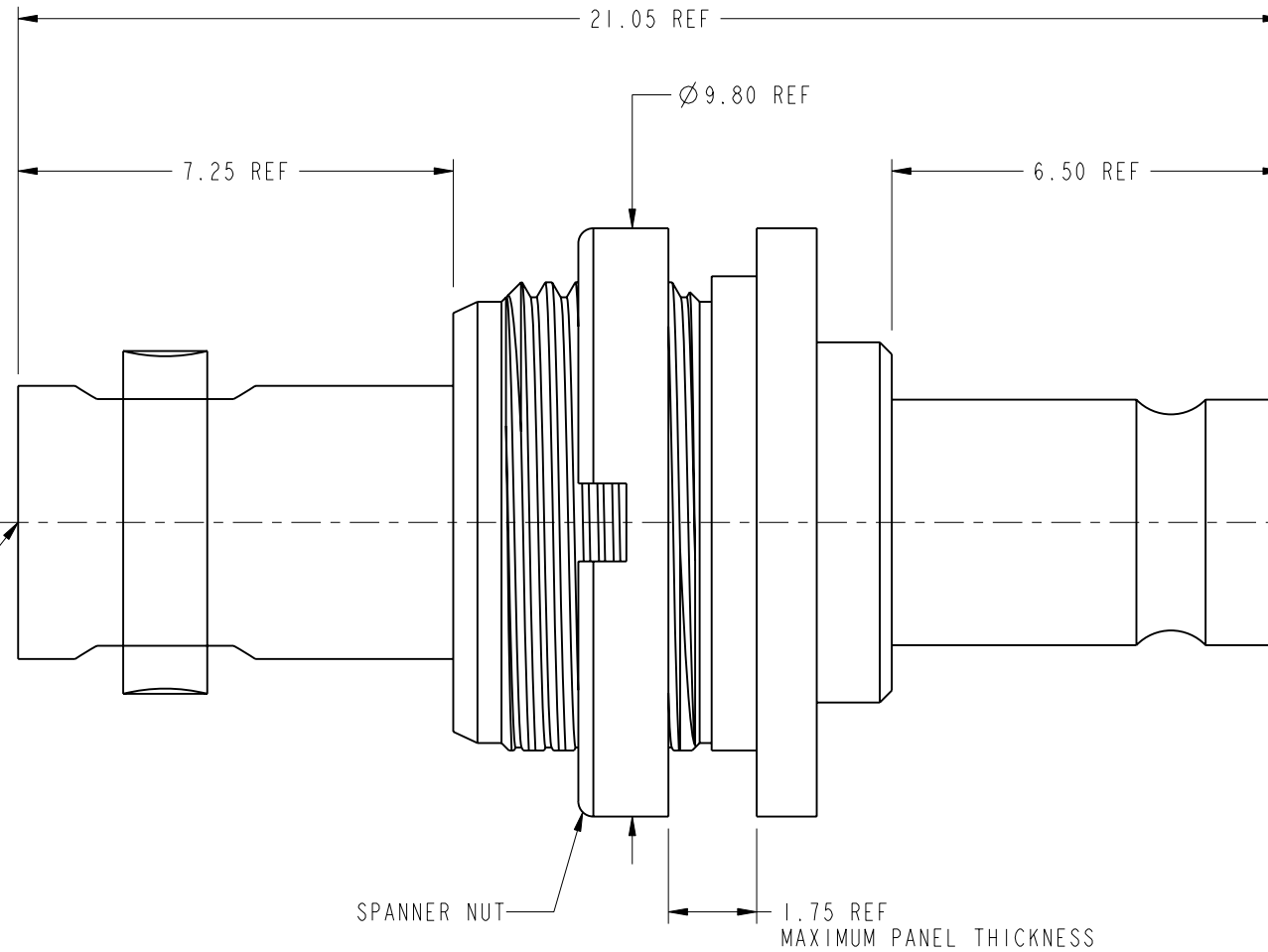
1. MATERIALS AND FINISHES:  
 BODIES - BRASS, NICKEL PLATING  
 CONTACT - BeCu, GOLD PLATING  
 SLEEVE - DELRIN  
 INSULATOR - PTFE
2. ELECTRICAL:  
 A. IMPEDANCE: 75 OHM  
 B. FREQUENCY RANGE: DC - 3 GHz  
 C. RETURN LOSS: -25 dB MIN @ 3 GHz
3. MECHANICAL:  
 A. DURABILITY: 500 CYCLES MIN.  
 B. TEMPERATURE RANGE: +65° C TO -165° C
4. PACKAGING:  
 A. QUANTITY: SINGLE PACK  
 B. MARKING: BAG TO BE MARKED  
 "AMPHENOLRF,APH-HD-ISO-1023 AND DATE CODE"



**SCALE 4.200**  
**RECOMMENDED MOUNTING**  
**HOLE DIMENSIONS**

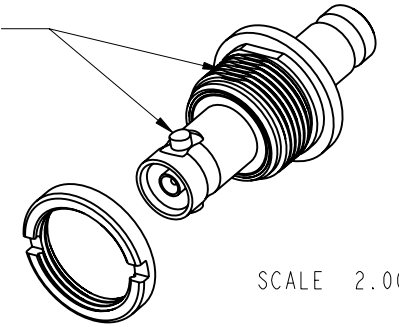


INTERFACE PER  
 349-50820  
 SERIES: HD-BNC JACK



INTERFACE PER  
 CECC 22 230  
 SERIES: 1.0/2.3

ORIENT STUDS AXIS  
 WITH RESPECT TO 'D' FLAT  
 AS SHOWN



SCALE 2.000

THIRD ANGLE PROJ.

REVISIONS

REV	DESCRIPTION	DATE	ECO	APPR
A	RELEASE TO MFG.	30-Mar-11	48505	CL
B	'D' FLAT WAS 7.80	25-Jul-11	48638	SCOTT

**CUSTOMER OUTLINE DRAWING**  
 ALL OTHER SHEETS ARE FOR INTERNAL USE ONLY

UNLESS OTHERWISE SPECIFIED, DIMENSIONS ARE IN METRIC AND TOLERANCES ARE:  
 <0.5mm ±0.05mm    0.5 - 6mm ±0.1mm    6 - 30mm ±0.2mm    30 - 120mm ±0.3mm    ANGLES ±1°

NOTICE - These drawings, specifications, or other data (1) are, and remain the property of Amphenol corp. (2) must be returned upon request; and (3) are confidential and not to be disclosed to any person other than those to whom they are given by Amphenol Corp. the finishing of these drawings, specifications, or other data by Amphenol Corp., or to any other person to anyone for any purpose is not to be regarded by implication or otherwise in any manner licensing, granting rights to permitting such holder or any other person to manufacture, use or sell any product, process or design, patented or otherwise, that may in any way be related to or disclosed by said drawings, specifications, or other data.

MATERIAL	SEE NOTES
REFERENCE	EAR # 4295 AND EXP:615X-2759-100
CONFIGURATION LEVEL:	<input type="checkbox"/> <input type="checkbox"/> <input type="checkbox"/>
FINISH	

DRAWN	I.XU	DATE	19-Jul-11
ENGINEER	A ARUN PRABU	DATE	14-Jan-11
APPROVED	S.HSIEH	DATE	25-Jul-11
CAD FILE			

TITLE	
ISOLATED ADAPTER HD BNC STR JACK TO 1.0/2.3 JACK	
SCALE: 8.0:1.0	SHEET 2 OF 2
DWG SIZE	REV
B	B

Amphenol RF	
www.amphenolrf.com	
DRAWING NO. APH-HD-ISO-1023	
ITEM NO. APH-HD-ISO-1023	
PART NO. APH-HD-ISO-1023	

## Looking for pricing, stock, or lifecycle information?

Click below to explore more details on WIN SOURCE:

- ⊖ [View APH-HD-ISO-1023 on WIN SOURCE](#)
- ⊖ [Amphenol-RF Division Information](#)

## Optimize Your Supply Chain with WIN SOURCE Solutions

- ✓ Global Sourcing Solution
- ✓ Obsolete Management
- ✓ Cost Control Management
- ✓ Shortage Management
- ✓ Alternative Solution
- ✓ Excess Inventory Management