



**THE DATASHEET OF  
IPD1-05-D-K**

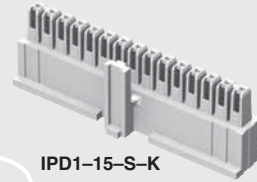
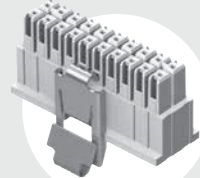




miniMATE®

(2.54 mm) .100"

IPD1-10-D-K-M



IPD1-15-S-K

CC79L-2630-01-L



IPD1, CC79L, CC79R, PK-79 SERIES

# DISCRETE WIRE CABLE COMPONENTS

## SPECIFICATIONS

For complete specifications see [www.samtec.com?IPD1](http://www.samtec.com?IPD1), [www.samtec.com?CC79L](http://www.samtec.com?CC79L), or [www.samtec.com?CC79R](http://www.samtec.com?CC79R)

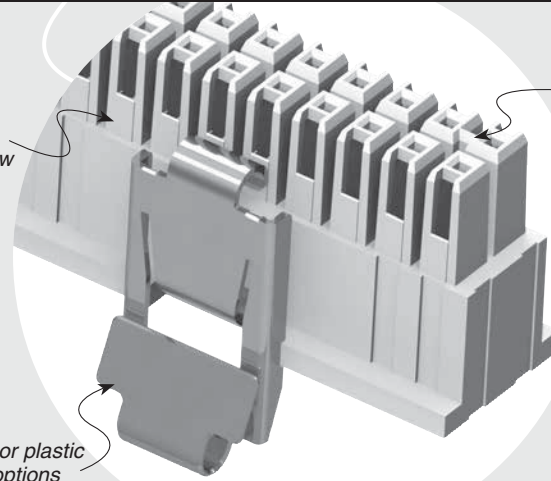
## TOOLING

- Hand Tool (20-30 AWG): CAT-HT-179-2030-13
- Mini Applicator (20-24 AWG): CAT-MC-179-2024-XX-01
- Mini Applicator (26-30 AWG): CAT-MC-179-2630-XX-01
- Extraction Tool: CAT-EX-179-01

Single or double row

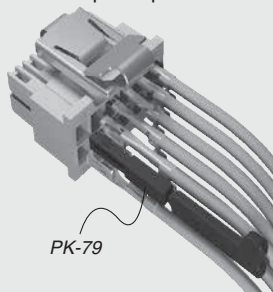
Keyed polarization

Metal or plastic latch options



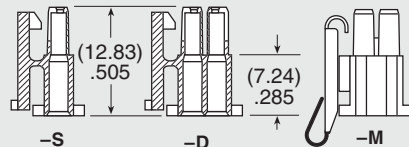
## PK-79

- Replaces the CC79 contact in the Mini Mate® housing (IPD1) for customizable polarization
- Plugs are molded black for better visibility against the white Mini Mate® housing
- PK-79 plugs are packaged in standard 50 pcs/bulk bag
- Handle is easily removed after insertion
- See [www.samtec.com?PK79](http://www.samtec.com?PK79) for complete specifications

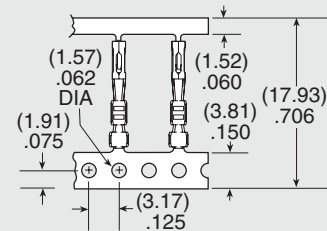


PK-79

TYPE	POSITIONS PER ROW	ROW OPTION	K	LATCH OPTION	TYPE	WIRE GAUGE	01	PLATING OPTION
IPD1 = Body, Loose	-02, -03, -04, -05, -06, -08, -10, -12, -15, -16, -20, -25 (Standard sizes)	-S = Single Row  -D = Double Row	-K = Keyed Polarization	-M = Metal Latch (Metal for more rugged environments) (-02, -05 & -10 positions only) (Leave blank for plastic latch)	CC79L = Contact, Loose  CC79R = Contact, Full Reel (12,000 Parts per Reel)	-2630 = 26 to 30 AWG  -2024 = 20 to 24 AWG		-L = 10 μ" (0.25 μm) Gold on contact, Tin on tail



Insulator Material: Nylon 66



Contact Material: Phosphor Bronze

Due to technical progress, all designs, specifications and components are subject to change without notice.

[WWW.SAMTEC.COM](http://WWW.SAMTEC.COM)

All parts within this catalog are built to Samtec's specifications. Customer specific requirements must be approved by Samtec and identified in a Samtec customer-specific drawing to apply.

## Looking for pricing, stock, or lifecycle information?

Click below to explore more details on WIN SOURCE:

 [View IPD1-05-D-K on WIN SOURCE](#)

 [Samtec Inc. Information](#)

## Optimize Your Supply Chain with WIN SOURCE Solutions

-  Global Sourcing Solution
-  Obsolete Management
-  Cost Control Management
-  Shortage Management
-  Alternative Solution
-  Excess Inventory Management