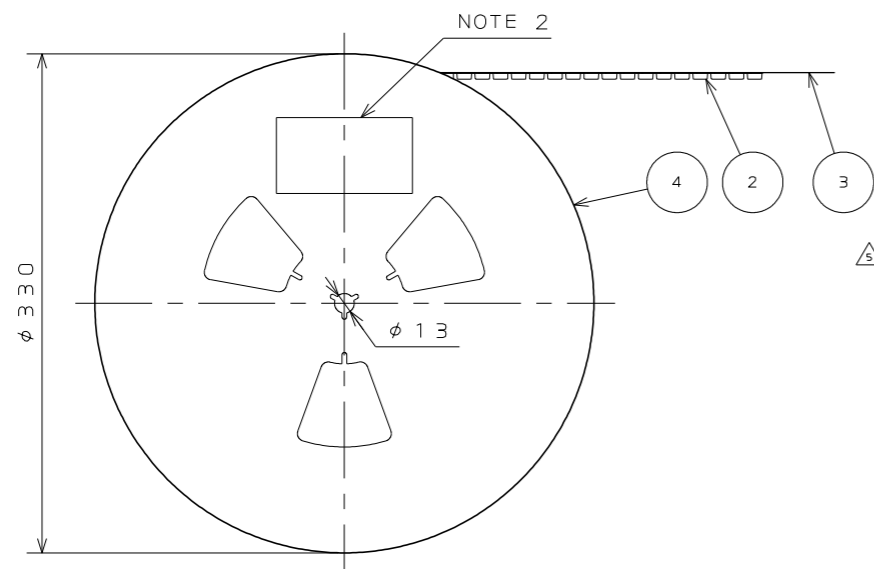
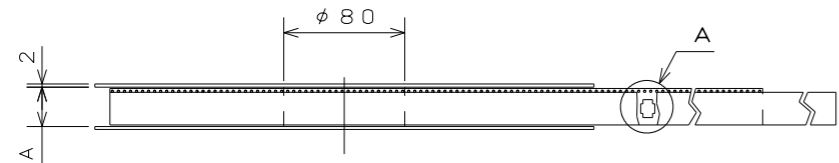


EEZZEOPS  
( 'ON ENIMVARD) 台巻理図



- NOTE1.SUFFIX "E1000" OF PART NUMBER "IL-WX-\*S\*-VF-\*E1000E" INDICATES 1000PCS.IN REEL.  
 2.THE LABEL IN WHICH PART NO.,NUMBER OF CONNECTORS LOT NO., TAPE WIDTH AND FEED PITCH ARE MARKED, AS INDICATED  
 3.REFER TO THE DRAWING.SJ037730(IL-WX-\*S\*-VF-\*E1000E) FOR THE DIMENSIONS.  
 4.IN CASE THAT DIMENSIONS B (TAPE WIDTH) IS 16,24mm, THERE IS PILOT HOLE AT ONE SIDE ONLY.

- 注1. "IL-WX-\*S\*-VF-\*E1000E" は収納数1000個入りのリールに収納された品名を表す。  
 2. 図示の位置に下記のシールを貼り、品名、収納数、ロットNo. 及びテープの幅と送りピッチを記入する。

△ 現品ラベル/ARTICLE LABEL  
 品名(DESCRIPTION) IL-WX-\*S\*-VF-\*E1000E  
 図番(PART No.) SJ037733  
 数量(Q'ty) 1,000  
 ITEM NO \*\*\*\*\*  
 Lot No. \*\*\*\*\*  
 E.Code. TB\*\*12

2014/01/17  
 MADE IN JAPAN  
 JAE Japan Aviation Electronics Industry, Ltd. QCF-C-0676(1201)/JAPS-9006-2

3. コネクタ寸法はSJ037730(IL-WX-\*S\*-VF-\*E)参照。  
 4. B寸法(テープ幅)が16,24の場合、パイロット穴は片側のみである。

版数 VER.	年月日 DATE	CN NO.	変更内容 DESCRIPTION	製図 DR.	担当 CHK.	査閲 APPD.	承認 APPD.
2	15.Feb.2005	056726	REDRAWN	H.SAKURADA	N.UCHIYAMA	Y.YAHIRO	K.HISATOMI
3	30.May.2014	009317	REVISED ARTICLE LABEL	M.SAITOU	N.UCHIYAMA		T.KUDO
4	30.Jun.2014	010228	CHANGE CARRIER TAPE MATERIAL AND THICKNESS		N.UCHIYAMA		T.KUDO
5	24.May.2016	014046	ERROR CORRECTION		N.UCHIYAMA		T.KUDO

DETAIL A  
(SCALE 2:1)

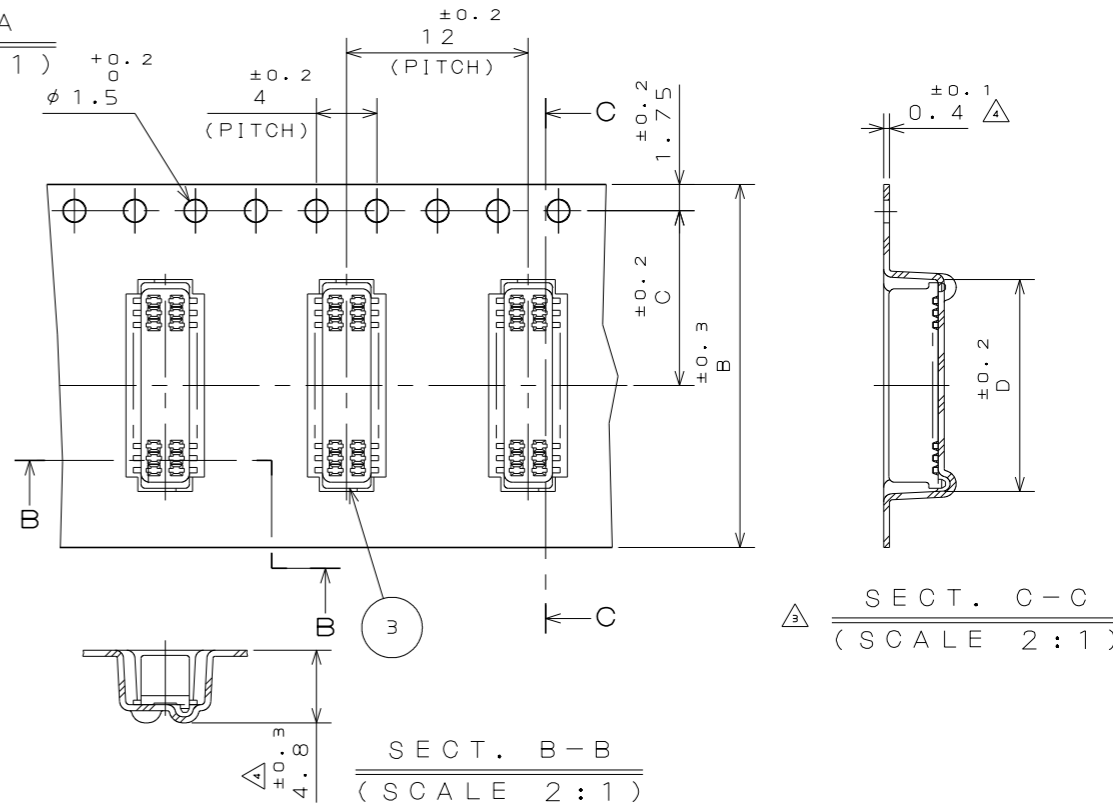
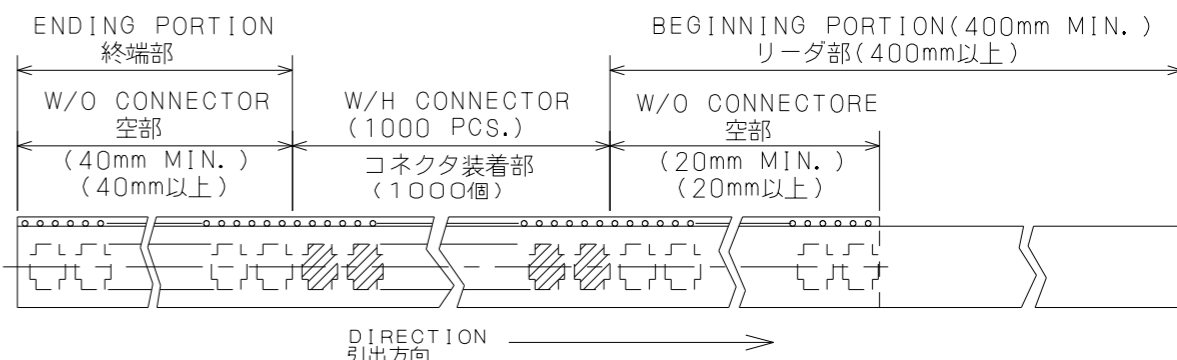


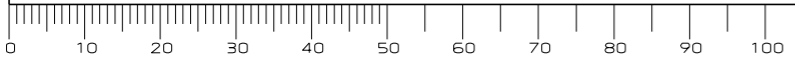
TABLE 1 △

PART NUMBER 品名	A	B	C	D
IL-WX- 6S*-VF-*E1000E	18	16	7.5	4.4
IL-WX- 8S*-VF-*E1000E	18	16	7.5	5.2
IL-WX-10S*-VF-*E1000E	18	16	7.5	6.0
IL-WX-12S*-VF-*E1000E	18	16	7.5	6.65
IL-WX-14S*-VF-*E1000E	18	16	7.5	7.6
IL-WX-16S*-VF-*E1000E	18	16	7.5	8.4
IL-WX-18S*-VF-*E1000E	18	16	7.5	9.2
IL-WX-20S*-VF-*E1000E	18	16	7.5	10.0
IL-WX-22S*-VF-*E1000E	26	24	11.5	10.8
IL-WX-24S*-VF-*E1000E	26	24	11.5	11.6
IL-WX-26S*-VF-*E1000E	26	24	11.5	12.4
IL-WX-28S*-VF-*E1000E	26	24	11.5	13.2
IL-WX-30S*-VF-*E1000E	26	24	11.5	14.0
IL-WX-32S*-VF-*E1000E	26	24	11.5	14.8
IL-WX-34S*-VF-*E1000E	26	24	11.5	15.6
IL-WX-36S*-VF-*E1000E	26	24	11.5	16.4



4	REEL	—	PAPER		
3	COVER TAPE	—	POLYESTER		
2	CARRIER TAPE	—	POLYSTYRENE △		
1	CONNECTOR	1000			IL-WX-*S*-VF-*E SJ037730(NOTE 3)
符号 NO.	名称 DESCRIPTION	個数 QTY.	材料 MATERIAL	仕上 FINISH	備考 REMARKS
仕様書(SPECIFICATION)		第1版(ORIGINAL DATE) 3.Mar.2003		尺度(SCALE)	シリーズ(SERIES) IL-WX
一般公差(GENERAL TOLERANCE)		製図 DR. H.SAKURADA		名称(TITLE) IL-WX-*S*-VF -*E1000E	
寸法(DIMENSION)		担当 CHK. T.MORITAKE		日本航空電子工業株式会社 JAPAN AVIATION ELECTRONICS INDUSTRY, LTD.	
角度(ANGLES)		査閲 APPD.		図面番号(DRAWING NO.) SJ037733	
. ±0.8		承認 APPD. T.MORINO		版数 (VER.) 5	
.x ±0.4		質量(MASS)		JAE CONNECTOR DIV. PROPRIETARY. COPYRIGHT(C) 2003, JAPAN AVIATION ELECTRONICS INDUSTRY, LTD.	
.xx ±0.1					
.xxx ±		単位(UNIT): mm			

DCF-C-212H(12.08)




WISDOM承認 2016/05/26

SIZE A3


## Looking for pricing, stock, or lifecycle information?

Click below to explore more details on WIN SOURCE:

 [View IL-WX-6S-VF-B-E1000E on WIN SOURCE](#)

 [JAE Electronics](#) Information

## Optimize Your Supply Chain with WIN SOURCE Solutions

-  Global Sourcing Solution
-  Obsolete Management
-  Cost Control Management
-  Shortage Management
-  Alternative Solution
-  Excess Inventory Management