



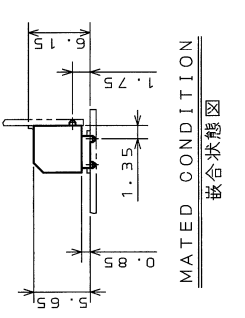
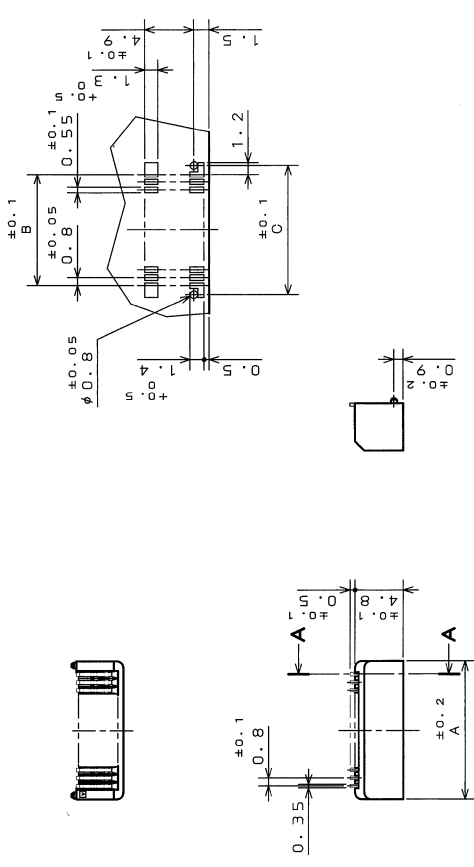
**THE DATASHEET OF
IL-WX-6P-HF-B-E1000E**



1E7E0E SJO37731
(CON DRAWING NO.)

原教 REV. 年月日 DATE 変更内容 DESCRIPTION 製図 DR. 担当 GUK. 査問 APPD. 承認 APPD.

P.C.B. HOLE PATTERNS (REF.)
基板取付寸法 (参考)

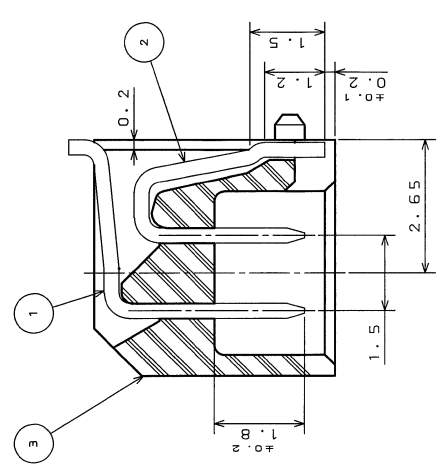


NOTE1. WITHOUT BOSS... IL-WX-**-P-HF-**E
WITH BOSS... IL-WX-**-PB-HF-**E
2. IL-WX-**-P-HF-**E INSULATOR COLOR
(NO ENTRY: LIGHT GRAY)
(B: BLACK)

注1. ボス無し品名... IL-WX-**-P-HF-**E
ボス有り品名... IL-WX-**-PB-HF-**E
2. IL-WX-**-P-HF-**E インシュレーター色相
(淡灰は無記入Bは黒)

TABLE 1

MS. OF CONTACT N 部品名	A	B	C
6	4.2	1.6	3.4
8	5	2.4	4.2
10	5.8	3.2	5
12	6.6	4	5.8
14	7.4	4.8	6.6
16	8.2	5.6	7.4
18	9	6.4	8.2
20	9.8	7.2	9
22	10.6	8	9.8
24	11.4	8.8	10.6
26	12.2	9.6	11.4
28	13	10.4	12.2
30	13.8	11.2	13
32	14.6	12	13.8
34	15.4	12.8	14.6
36	16.2	13.6	15.4



SECT. A-A
(SCALE 10:1)

3	INSULATOR	1	GLASS FILLED PPS	COLOR: LIGHT GRAY
2	CONTACT B	N/2	COPPER ALLOY (LEAD FREE)/TIN ALLOY	
1	CONTACT A	N/2	COPPER ALLOY (LEAD FREE)/TIN ALLOY	
符号 NO.	名称 DESCRIPTION	個数 QTY.	材料 MATERIAL	備考 REMARKS
	仕様書 (SPECIFICATION)		原簿 (ORIGINAL DATE) 3.MAR.2003	仕上 FINISH
公差 (GENERAL TOLERANCE)		製図 DR.	H.SAKURADA	JAE-CONNECTOR.COM 名称 (TITLE) Reference JAE AVIATION ELECTRONICS INDUSTRY, LTD. I L-WX-**-P-HF-**-E 重量 (WEIGHT) SJO37731 図面番号 (DRAWING NO.)
寸法 (DIMENSION) 角度 (ANGLES)		担当 GUK.	T.MORITAKE	
. ± 0.8 X° ±		査問 APPD.		
.X ± 0.4 X% ±		承認 APPD.		
.XX ± 0.1 .XXX ±				

LEAD FREE この製品は鉛フリー品です

JAE CONNECTOR DIV. PROPRIETARY.
COPYRIGHT (C) 2003, JAPAN AVIATION ELECTRONICS INDUSTRY, LTD.

Looking for pricing, stock, or lifecycle information?

Click below to explore more details on WIN SOURCE:

 [View IL-WX-6P-HF-B-E1000E on WIN SOURCE](#)

 [JAE Electronics](#) Information

Optimize Your Supply Chain with WIN SOURCE Solutions

-  Global Sourcing Solution
-  Obsolete Management
-  Cost Control Management
-  Shortage Management
-  Alternative Solution
-  Excess Inventory Management