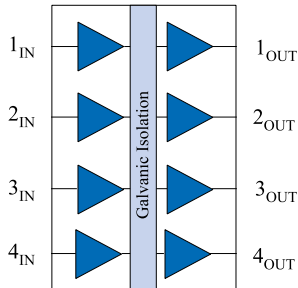




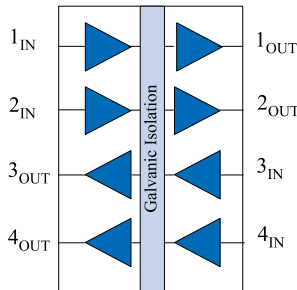
## High Speed Four Channel Digital Coupler

### Functional Diagram

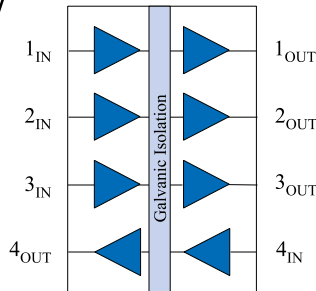
#### IL715



#### IL716

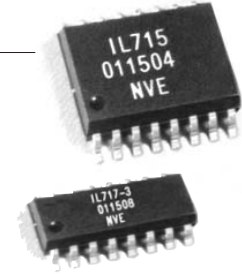


#### IL717



### Features

- +5/3.3V or 5V CMOS/TTL Compatible
- High Speed: 110 MBaud
- 2500 V<sub>RMS</sub> Isolation (1 min)
- 2 ns Typical Pulse Width Distortion
- 4 ns Typical Propagation Delay s Skew
- 10 ns Typical Propagation Delay
- 30 kV/μs Typical Transient Immunity
- 2 ns Channel to Channel Skew
- 0.3" and 0.15" 16-Pin SOIC Packages
- UL1577 Approved (File # E207481)
- IEC 61010-1 Approved (Report # 607057)



### Isolation Applications

- ADCs and DACs
- Digital Fieldbus
- RS485 and RS422
- Multiplexed Data Transmission
- Data Interfaces
- Board-To-Board Communication
- Digital Noise Reduction
- Operator Interface
- Ground Loop Elimination
- Peripheral Interfaces
- Parallel Bus
- Logic Level Shifting

### Description

NVE's family of high-speed digital isolators are CMOS devices created by integrating active circuitry and our GMR-based and patented<sup>®</sup> IsoLoop<sup>®</sup> technology. The IL715, IL716 and IL717 are four channel versions of the world's fastest digital isolator with a 110 Mbaud data rate. These devices provide the designer with the most compact isolated logic devices yet available. All transmit and receive channels operate at 110 Mbd over the full temperature and supply voltage range. The symmetric magnetic coupling barrier provides a typical propagation delay of only 10 ns and a pulse width distortion of 2 ns achieving the best specifications of any isolator device. Typical transient immunity of 30 kV/μs is unsurpassed. The IL715 has four transmit channels; the IL716 has two transmit channels and two receive channels; the IL717 has three transmit channels and one receive channel. The IL715, IL716 and IL717 high channel density make them ideally suited to isolating ADCs and DACs, parallel buses and peripheral interfaces.

The IL715, IL716 and IL717 are available in 0.3" and 0.15" 16-pin SOIC packages and performance is specified over the temperature range of -40°C to +100°C without any derating.

IsoLoop<sup>®</sup> is a registered trademark of NVE Corporation  
\* US Patent number 5,831,426; 6,300,617 and others.

# IL715/6/7<sup>ISOLOOP®</sup>

## Absolute Maximum Ratings

Parameters	Symbol	Min.	Max.	Units
Storage Temperature	T <sub>S</sub>	-55	175	°C
Ambient Operating Temperature <sup>(1)</sup>	T <sub>A</sub>	-55	125	°C
Supply Voltage	V <sub>DD1</sub> , V <sub>DD2</sub>	-0.5	7	Volts
Input Voltage	V <sub>I</sub>	-0.5	V <sub>DD</sub> +0.5	Volts
Output Voltage	V <sub>O</sub>	-0.5	V <sub>DD</sub> +0.5	Volts
Output Current Drive Channel	I <sub>O</sub>		10	mA
Lead Solder Temperature (10s)			280	°C
ESD	2kV Human Body Model			

## Recommended Operating Conditions

Parameters	Symbol	Min.	Max.	Units
Ambient Operating Temperature	T <sub>A</sub>	-40	100	°C
Supply Voltage (3.3/5.0 V operation)	V <sub>DD1</sub> , V <sub>DD2</sub>	3.0	5.5	Volts
Supply Voltage (5.0 V operation)	V <sub>DD1</sub> , V <sub>DD2</sub>	4.5	5.5	Volts
Logic High Input Voltage	V <sub>IH</sub>	2.4	V <sub>DD</sub>	Volts
Logic Low Input Voltage	V <sub>IL</sub>	0	0.8	Volts
Minimum Signal Rise and Fall Times	t <sub>IR</sub> , t <sub>IF</sub>		1	µsec

## Insulation Specifications

Parameter	Symbol	Min	Typ.	Max.	Units	Test Condition
Barrier Impedance				>10 <sup>11</sup>   7		Ω    pF
Creepage Distance (External)		8.077 (0.3" SOIC) 4.026 (0.15" SOIC)			mm	
Leakage Current			0.2		µA	240 V <sub>RMS</sub>
Capacitance (Input-Output) <sup>(5)</sup>	C <sub>I-O</sub>		4.0		pF	f = 1MHz

## IEC61010-1

TUV Certificate Numbers: B 01 07 44230 003

Classification as Table 1.

Model	Pollution Degree	Material Group	Max Working Voltage	Package Type	
				16-SOIC (0.3")	16-SOIC (0.15")
IL715, IL716, IL717	II	III	300 V <sub>RMS</sub>	✓	
IL715-3, IL716-6, IL717-3	II	III	150 V <sub>RMS</sub>		✓

## UL 1577

Component Recognition program. File # E207481

Rated 2500Vrms for 1min.

\* UL & IEC approval is pending for the 16-SOIC (0.15") parts.

# IL715/6/7 <sup>IsoLoop®</sup>

## Electrical Specifications

Electrical Specifications are  $T_{\min}$  to  $T_{\max}$

Parameter	Symbol	3.3 Volt Specifications			5.0 Volt Specifications			Units	Test Conditions
		Min.	Typ.	Max.	Min.	Typ.	Max.		
<b>DC Specifications</b>									
Input Quiescent Supply Current									
IL715	$I_{DD1}$		16	20		24	30	$\mu\text{A}$	
IL716	$I_{DD1}$		3.3	4		5	6	$\text{mA}$	
IL717	$I_{DD1}$		1.5	2.0		2.5	3.0	$\text{mA}$	
Output Quiescent Supply Current									
IL715	$I_{DD2}$		5.5	8		8	12	$\text{mA}$	
IL716	$I_{DD2}$		3.3	4		5	6	$\text{mA}$	
IL717	$I_{DD2}$		3	6		6	9	$\text{mA}$	
Logic Input Current	$I_I$	-10		10	-10		10	$\mu\text{A}$	
Logic High Output Voltage	$V_{OH}$	$V_{DD}-0.1$ $0.8*V_{DD}$	$V_{DD}$ $V_{DD}-0.5$		$V_{DD}-0.1$ $0.8*V_{DD}$	$V_{DD}$ $V_{DD}-0.5$		V	$I_O = -20 \mu\text{A}, V_I = V_{IH}$ $I_O = -4 \text{mA}, V_I = V_{IH}$
Logic Low Output Voltage	$V_{OL}$		0 0.5	0.1 0.8		0 0.5	0.1 0.8	V	$I_O = 20 \mu\text{A}, V_I = V_{IL}$ $I_O = 4 \text{mA}, V_I = V_{IL}$
<b>Switching Parameters</b>									
Maximum Data Rate		100	110		100	110		MBd	$C_L = 15 \text{pF}$
Minimum Pulse Width	PW	10			10			ns	50% Points, $V_O$
Propagation Delay Input to Output (High to Low)	$t_{PHL}$		12	18		10	15	ns	$C_L = 15 \text{pF}$
Propagation Delay Input to Output (Low to High)	$t_{PLH}$		12	18		10	15	ns	$C_L = 15 \text{pF}$
Pulse Width Distortion <sup>(2)</sup>   $t_{PHL} - t_{PLH}$	PWD		2	3		2	3	ns	$C_L = 15 \text{pF}$
Propagation Delay Skew <sup>(3)</sup>	$t_{PSK}$		4	6		4	6	ns	$C_L = 15 \text{pF}$
Output Rise Time (10-90%)	$t_R$		2	4		1	3	ns	$C_L = 15 \text{pF}$
Output Fall Time (10-90%)	$t_F$		2	4		1	3	ns	$C_L = 15 \text{pF}$
Common Mode Transient Immunity (Output Logic High or Logic Low) <sup>(4)</sup>	CMH   CML	20	30		20	30		$\text{kV}/\mu\text{s}$	$V_{cm} = 300\text{V}$
Channel to Channel Skew	$t_{CSK}$		2	3		2	3	ns	$C_L = 15 \text{pF}$

## Notes:

1. Absolute Maximum ambient operating temperature means the device will not be damaged if operated under these conditions. It does not guarantee performance.
2. PWD is defined as  $|t_{PHL} - t_{PLH}|$ . %PWD is equal to the PWD divided by the pulse width.
3.  $t_{PSK}$  is equal to the magnitude of the worst case difference in  $t_{PHL}$  and/or  $t_{PLH}$  that will be seen between units at 25°C.
4.  $CM_H$  is the maximum common mode voltage slew rate that can be sustained while maintaining  $V_O > 0.8 V_{DD}$ .  $CM_L$  is the maximum common mode input voltage that can be sustained while maintaining  $V_O < 0.8 V$ . The common mode voltage slew rates apply to both rising and falling common mode voltage edges.
5. Device is considered a two terminal device:  
pins 1-8 shorted and pins 9-16 shorted.

# IL715/6/7<sup>IsoLoop®</sup>

## Application Notes:

### Dynamic Power Consumption

IsoLoop® devices achieve their low power consumption from the manner by which they transmit data across the isolation barrier. By detecting the edge transitions of the input logic signal and converting these to narrow current pulses, a magnetic field is created around the GMR Wheatstone bridge. Depending on the direction of the magnetic field, the bridge causes the output comparator to switch following the input logic signal. Since the current pulses are narrow, about 2.5ns wide, the power consumption is independent of mark-to-space ratio and solely dependent on frequency. This has obvious advantages over optocouplers whose power consumption is heavily dependent on its on-state and frequency.

The approximate power supply current per channel for IsoLoop® is:

$$I(\text{input}) = 40 \left( \frac{f}{f_{\text{max}}} \right) \left( \frac{1}{4} \right) \text{ mA}$$

where  $f$  = operating frequency  
 $f_{\text{max}}$  = 50 MHz

### Power Supply Decoupling

Both power supplies to these devices should be decoupled with low ESR 47 nF ceramic capacitors. For data rates in excess of 10MBd, use of ground planes for both GND1 and GND2 is highly recommended. Capacitors should be located as close as possible to the device.

### Signal Status on Start-up and Shut Down

To minimize power dissipation, the input signals are differentiated and then latched on the output side of the isolation barrier to reconstruct the signal. This could result in an ambiguous output state depending on power up, shutdown and power loss sequencing. Therefore, the designer should consider the inclusion of an initialization signal in his start-up circuit. Initialization consists of toggling each channel either high then low or low then high, depending on the desired state.

### Electrostatic Discharge Sensitivity

This product has been tested for electrostatic sensitivity to the limits stated in the specifications. However, NVE recommends that all integrated circuits be handled with appropriate care to avoid damage. Damage caused by inappropriate handling or storage could range from performance degradation to complete failure.

### Data Transmission Rates

The reliability of a transmission system is directly related to the accuracy and quality of the transmitted digital information. For a digital system, those parameters which determine the limits of the data transmission are *pulse width distortion* and *propagation delay skew*.

Propagation delay is the time taken for the signal to travel through the device. This is usually different when sending a low-to-high than when sending a high-to-low signal. This difference, or error, is called pulse width distortion (PWD) and is usually in ns. It may also be expressed as a percentage:

$$\text{PWD}\% = \frac{\text{Maximum Pulse Width Distortion (ns)}}{\text{Signal Pulse Width (ns)}} \times 100\%$$

For example: For data rates of 12.5 Mb

$$\text{PWD}\% = \frac{3 \text{ ns}}{80 \text{ ns}} \times 100\% = 3.75\%$$

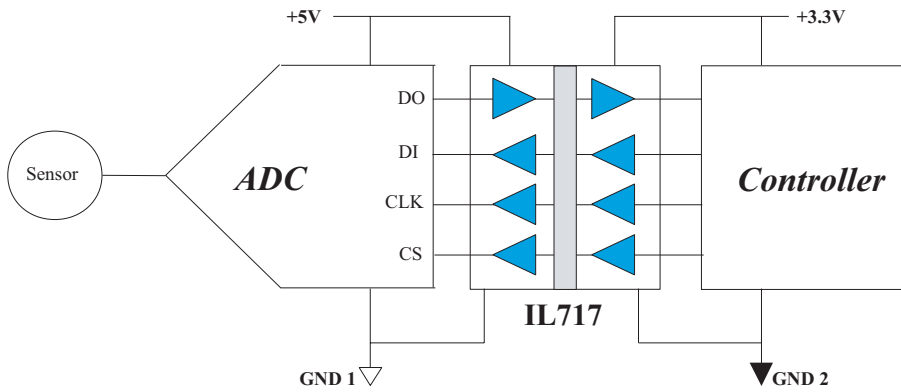
This figure is almost **three times** better than for any available optocoupler with the same temperature range, and **two times** better than any optocoupler regardless of published temperature range. The *IsoLoop®* range of isolators surpasses the 10% maximum PWD recommended by PROFIBUS, and will run at almost 35 Mb before reaching the 10% limit.

Propagation delay skew is the difference in time taken for two or more channels to propagate their signals. This becomes significant when clocking is involved since it is undesirable for the clock pulse to arrive before the data has settled. A short propagation delay skew is therefore critical, especially in high data rate parallel systems, to establish and maintain accuracy and repeatability. The *IsoLoop®* range of isolators all have a maximum propagation delay skew of 6 ns, which is **five times** better than any optocoupler. The maximum channel to channel skew in the *IsoLoop®* coupler is only 3 ns which is **ten times** better than any optocoupler.

# IL715/6/7<sup>isoLoop®</sup>

## Applications:

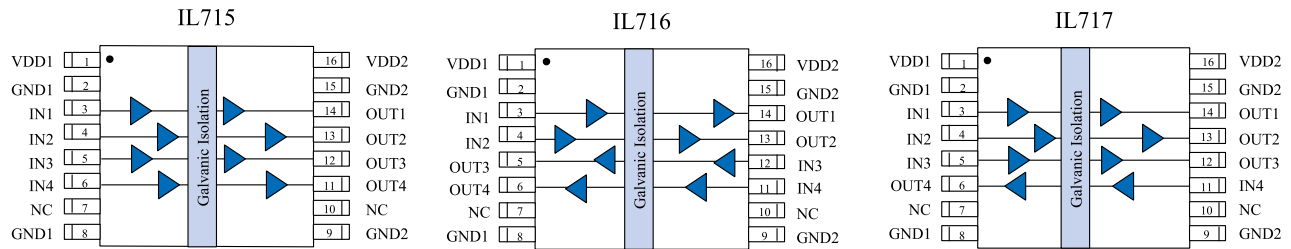
## Isolated Logic Level Shifters



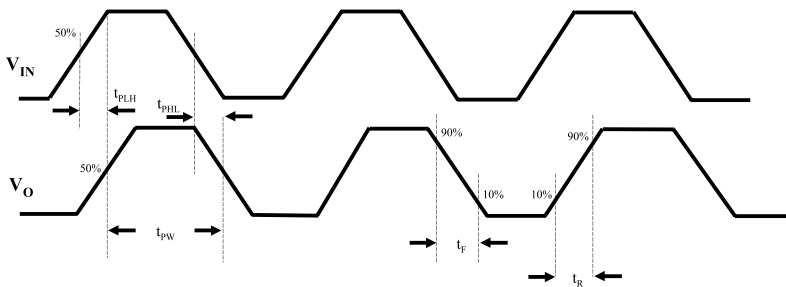
# IL715/6/7 <sup>IsoLoop®</sup>

## Pin Configurations IL715, IL716, IL717

Note: Connected Internally  
 Pins 2 & 8  
 Pins 9 & 15



## Timing Diagram

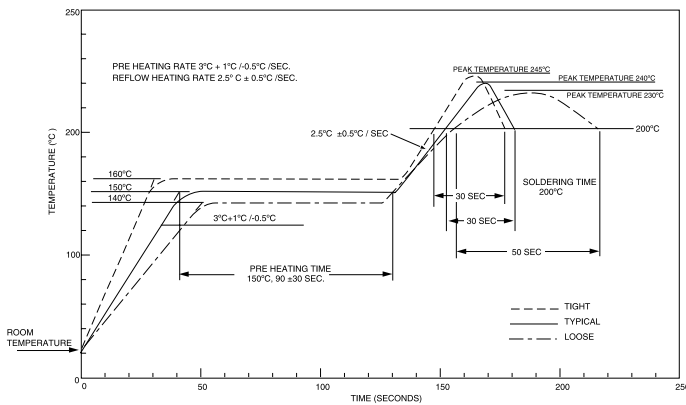


### Legend

$t_{PLH}$	Propagation Delay, Low to High
$t_{PHL}$	Propagation Delay, High to Low
$t_{PW}$	Minimum Pulse Width
$t_R$	Rise Time
$t_F$	Fall Time

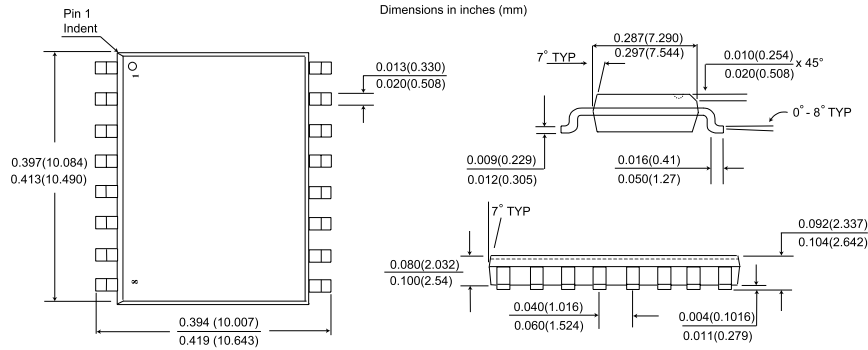
## IR Soldering Profile

Recommended profile shown. Maximum temperature allowed on any profile is 260° C.

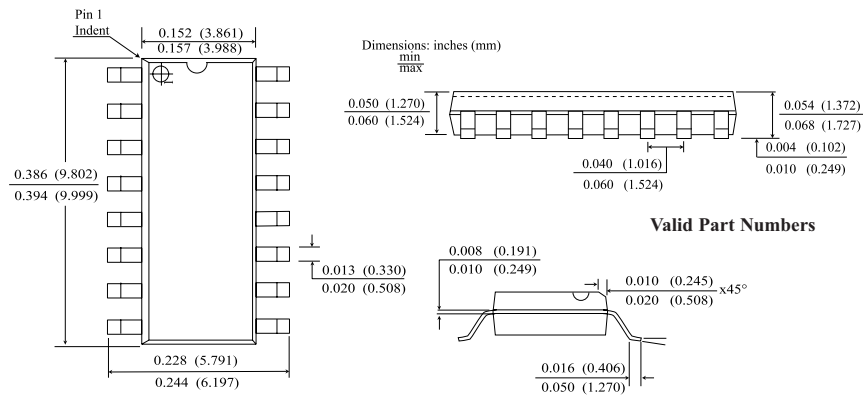


# IL715/6/7 <sup>ISOLOOP®</sup>

## 0.3" SOIC-16 Package



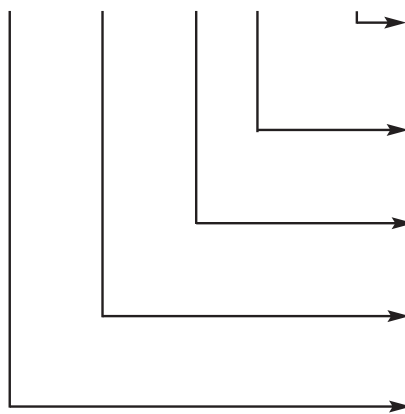
## 0.15" SOIC-16 Package



### Valid Part Numbers

**Ordering Information:** use the following format to order these devices

**IL 715 -3 B TR13**



**Bulk Package**  
 Blank = Tube  
 TR7 = 7" Tape and Reel  
 TR13 = 13" Tape and Reel

**Supply Voltage**  
 Blank = 3.3/5.0 VDC  
 B = 5.0 VDC

**Package**  
 Blank = SOIC (0.3")  
 -3 = SOIC (0.15")

**Base Part Number**  
 715 = 4 drive channels  
 716 = 2 drive and 2 receive channels  
 717 = 3 drive and 1 receive channels

**Product Family**  
 IL = Isolators

### Valid Part Numbers

IL 715	IL 716	IL 717
IL 715-3	IL 716-3	IL 717-3
IL 715-3B	IL 716-3B	IL 717-3B
IL 715-3BTR13	IL 716-3BTR13	IL 717-3BTR13
IL 715-3BTR7	IL 716-3BTR7	IL 717-3BTR7
IL 715-3TR13	IL 716-3TR13	IL 717-3TR13
IL 715-3TR7	IL 716-3TR7	IL 717-3TR7
IL 715B	IL 716B	IL 717B
IL 715BTR13	IL 716BTR13	IL 717BTR13
IL 715TR13	IL 716TR13	IL 717TR13



## About NVE

NVE Corporation is a world leader in the practical commercialization of "spintronics," which many experts believe represents the next generation of microelectronics — the successor to the transistor. Unlike conventional electronics, which rely on electron charge, spintronics uses electron spin to store and transmit information. Spintronics devices are smaller, faster, and more accurate, compared to charge-based microelectronics.

It is the spin of electrons that causes magnetism. NVE's products use proprietary spintronic materials called Giant Magnetoresistors (GMR). These materials are made of exotic alloys a few atoms thick, and provide very large signals (the "Giant" in "Giant Magnetoresistor"). NVE has the unique capability to combine leading edge GMR materials with integrated circuits to make high performance electronic components.

We are pioneers in creating practical products using this revolutionary technology and introduced the world's first GMR products in 1994. We also license spintronics/Magnetic Random Access Memory (MRAM) designs to world-class memory manufacturers.


Our products include:

- Digital Signal Isolators
- Isolated Bus Transceivers
- Magnetic Field Sensors
- Magnetic Field Gradient Sensors (Gradiometer)
- Digital Magnetic Field Sensors.

NVE Corporation  
11409 Valley View Road  
Eden Prairie, Mn 55344-3617 USA  
Telephone: (952) 829-9217  
Fax: (952) 829-9189  
Internet: [www.nve.com](http://www.nve.com)  
e-mail: [isoinfo@nve.com](mailto:isoinfo@nve.com)

*The information provided by NVE Corporation is believed to be accurate. However, no responsibility is assumed by NVE Corporation for its use, nor for any infringement of patents, nor rights or licenses granted to third parties, which may result from its use. No license is granted by implication, or otherwise, under any patent or patent rights of NVE Corporation. NVE Corporation does not authorize, nor warrant, any NVE Corporation product for use in life support devices or systems or other critical applications. The use of NVE Corporation's products in such applications is understood to be entirely at the customer's own risk.*


***Specifications shown are subject to change without notice.***



ISB-DS-001-IL715/6/7-F  
July 2002

## Looking for pricing, stock, or lifecycle information?

Click below to explore more details on WIN SOURCE:

 [View IL715B on WIN SOURCE](#)

 [NVE Corp Information](#)

## Optimize Your Supply Chain with WIN SOURCE Solutions

-  Global Sourcing Solution
-  Obsolete Management
-  Cost Control Management
-  Shortage Management
-  Alternative Solution
-  Excess Inventory Management