
Features

- Frequency Range 2.4 GHz to 2.5 GHz
- Supply Voltage 2.7V to 3.6V
- 32 dB Power Gain
- 23 dBm Linear Output Power for IEEE 802.11b Mode Operation
- EVM < 2.0% at 19 dBm Output Power for IEEE 802.11g Mode Operation
- On-chip Power Detector with 20 dB Dynamic Range
- Power-down Mode and Biasing Control
- Input and Interstage Matching Fully On-chip
- Low Profile Lead-free Plastic Package QFN16 (3 mm × 3 mm × 0.9 mm)

Applications

- IEEE 802.11b DSSS WLAN
- IEEE 802.11g OFDM WLAN
- Bluetooth 2.0 Enhanced Data Rate
- PC Cards, PCMCIA, Access Points
- 2.4 GHz ISM Band Application

1. Description

This power amplifier (PA) is designed for high-performance 802.11b and 802.11g multi-mode applications such as Mini PCI and PCMCIA for portable devices and access points. The low profile plastic package with internal input matching to 50Ω and on-chip interstage matching minimizes the PCB board-space and allows simplified integration with very few passive components. The on-chip power detector provides a voltage linear to the output power, while the standby/bias control logic provides power-saving and shutdown options. The PA is realized as a three stage PA with internal interstage matching and an open-collector output structure.

The power amplifier is designed using Atmel®'s Silicon-Germanium (SiGe2) process and provides excellent linearity and noise performance, high gain, and good power-added efficiency.

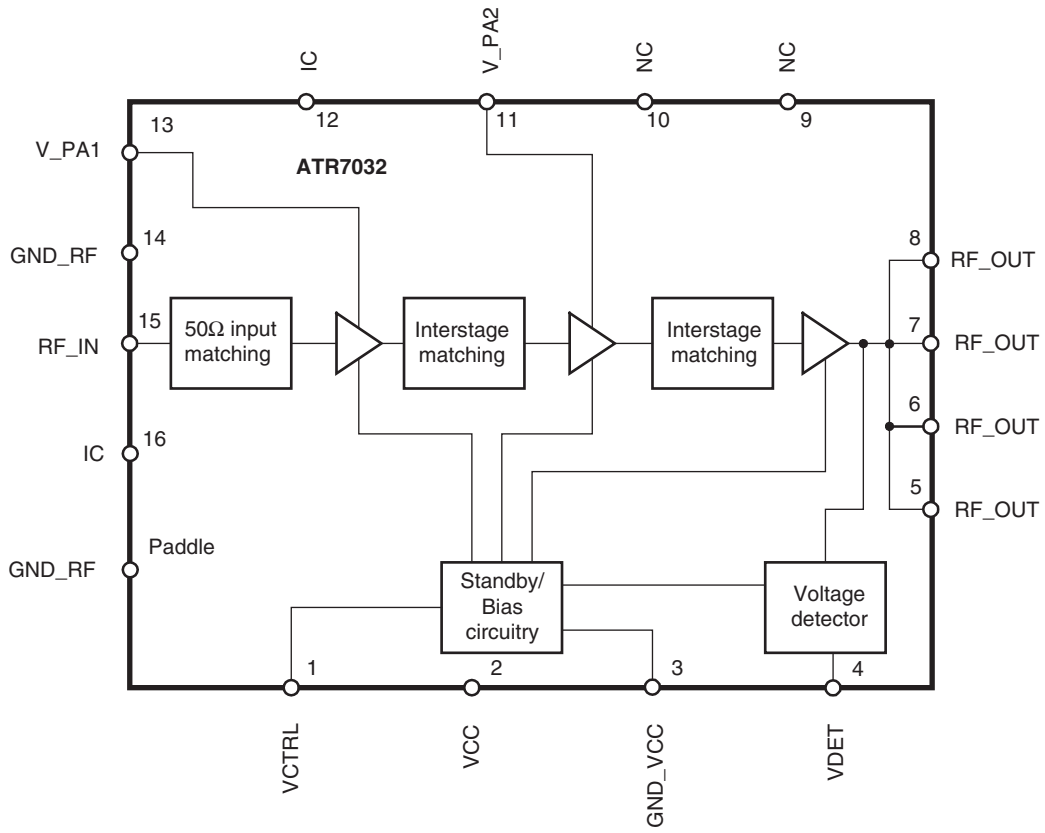


High Gain Power Amplifier for 802.11b/g WLAN Systems

ATR7032



Figure 1-1. Block Diagram



2. Pin Configuration

Figure 2-1. Pinning QFN16

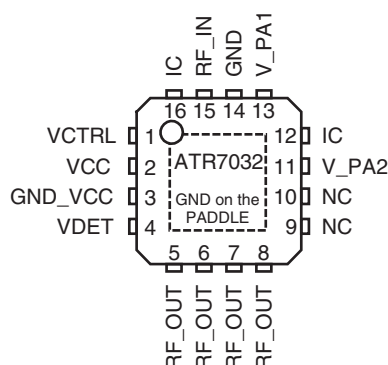


Table 2-1. Pin Description

Pin	Symbol	Function
1	VCTRL	Power-up/biasing control voltage
2	VCC	Supply voltage
3	GND_VCC	Ground
4	VDET	Power detector voltage
5	RF_OUT	RF output
6	RF_OUT	RF output
7	RF_OUT	RF output
8	RF_OUT	RF output
9	NC	Not connected
10	NC	Not connected
11	V_PA2	Supply voltage PA stage 2
12	IC	Internally connected, on-chip matching; must not be externally connected
13	V_PA1	Supply voltage PA stage 1
14	GND	Ground
15	RF_IN	RF input
16	IC	Internally connected, on-chip matching; must not be externally connected
PADDLE	GND	Ground on the PADDLE

3. Absolute Maximum Ratings

Stresses beyond those listed under “Absolute Maximum Ratings” may cause permanent damage to the device. This is a stress rating only and functional operation of the device at these or any other conditions beyond those indicated in the operational sections of this specification is not implied. Exposure to absolute maximum rating conditions for extended periods may affect device reliability.

Parameters	Test Conditions	Symbol	Value	Unit
Supply voltage	Without RF	V_{CC}	5	V
Supply current		I_{CC}	600	mA
Junction temperature		T_j	150	°C
Storage temperature		T_{Stg}	-40 to +125	°C
Input RF power		P_{IN}	12	dBm
Control voltage power up/down and biasing		V_{VCTRL}	0 to +3.0	V
ESD protection, all pins	EIA/JESD22-A114-B	V_{ESD}	500	V

Note: 1. The part may not survive all maximums applied simultaneously.

4. Operating Range

Parameters	Symbol	Value	Unit
Supply voltage range	V_{CC}	2.7 to 3.6	V
Ambient temperature range	T_{amb}	-40 to +85	°C
Frequency range	f	2400 to 2500	MHz

5. Electrical Characteristics

Test Conditions measured on Atmel's evaluation board (unless otherwise stated): $V_{CC} = 3.3V$, Frequency = 2.45 GHz, $T_{amb} = 25^\circ C$

No.	Parameters	Test Conditions	Pin	Symbol	Min.	Typ.	Max.	Unit	Type*
1.0	Control voltage range	PA operating mode		V_{VCTRL}	1		2	V	A
1.1		Power down mode		V_{VCTRL}			0.2		A
1.2	Current consumption	Quiescent		I_{CC_Q}		90		mA	A
1.3		Power down mode		I_{CC_PD}			10	μA	A
1.4		PA operating mode		I_{VCTRL}			100	μA	A

*) Type means: A = 100% tested, B = 100% correlation tested, C = Characterized on samples, D = Design parameter

6. Electrical Characteristics – Unmodulated Carrier

Test Conditions measured on Atmel's evaluation board (unless otherwise stated): $V_{CC} = 3.3V$, Frequency = 2.45 GHz, $T_{amb} = 25^{\circ}C$

No.	Parameters	Test Conditions	Pin	Symbol	Min.	Typ.	Max.	Unit	Type*
2.0	Saturated output power	For reference		P_{SAT}		28.5		dBm	C
2.1	P1dB output power			P1dB		27		dBm	A
2.2	Harmonic rejection	$P_{OUT} = 23$ dBm		2f _{out} 3f _{out}		-45 -30		dBc dBc	C C
2.3	Small signal gain	I_{CC_Q} , small signal condition		GL		32		dB	A
2.4	Gain variation	2.4 to 2.5 GHz, I_{CC_Q} , small signal condition -40 to +85°C, I_{CC_Q} , small signal condition		$G_{varfreq}$		±1.5		dB	C
				$G_{vartemp}$		±1.5		dB	C
2.5	Reverse isolation	I_{CC_Q} , small signal condition		ISOr		40		dB	C
2.6	Input 50Ω VSWR	I_{CC_Q} , small signal condition		VSWR _{IN}		2:1			C
2.7	Output 50Ω VSWR	I_{CC_Q} , small signal condition, with external matching		VSWR _{OUT}		2:1			C

*) Type means: A = 100% tested, B = 100% correlation tested, C = Characterized on samples, D = Design parameter

7. Electrical Characteristics – 11 Mbps CCK Modulation

Test Conditions measured on Atmel's evaluation board (unless otherwise stated): $V_{CC} = 3.3V$, Frequency = 2.45 GHz, $T_{amb} = 25^{\circ}C$, 11 Mbps CCK modulation with Gaussian transmit filtering of BT = 0.4, conforming to IEEE 802.11b

No.	Parameters	Test Conditions	Pin	Symbol	Min.	Typ.	Max.	Unit	Type*
3.0	Maximum linear output power	ACPR1 ≥ 33 dBc, ACPR2 ≥ 55 dBc		P_{LIN}		23		dBm	C
3.1	Linear power gain	$P_{OUT} = 23$ dBm		GL		32		dB	A
3.2	Current consumption	$P_{OUT} = 23$ dBm		I_{CC}		220		mA	A

*) Type means: A = 100% tested, B = 100% correlation tested, C = Characterized on samples, D = Design parameter

8. Electrical Characteristics – 54 Mbps OFDM Modulation

Test Conditions measured on Atmel's evaluation board (unless otherwise stated): $V_{CC} = 3.3V$, Frequency = 2.45 GHz, $T_{amb} = 25^{\circ}C$, 54 Mbps OFDM modulation, conforming to IEEE 802.11g; 0.7% EVM measurement equipment noise floor is included in the EVM measurement result.

No.	Parameters	Test Conditions	Pin	Symbol	Min.	Typ.	Max.	Unit	Type*
4.0	Error vector magnitude	$P_{OUT} = 19$ dBm		EVM		2.0		%	C
4.1	Linear power gain	$P_{OUT} = 19$ dBm		GL		32		dB	A
4.2	Current consumption	$P_{OUT} = 19$ dBm		I_{CC}		150		mA	A

*) Type means: A = 100% tested, B = 100% correlation tested, C = Characterized on samples, D = Design parameter

9. Power Detector

Test Conditions measured on Atmel's evaluation board (unless otherwise stated): $V_{CC} = 3.3V$, Frequency = 2.45 GHz, $T_{amb} = 25^{\circ}C$

No.	Parameters	Test Conditions	Pin	Symbol	Min.	Typ.	Max.	Unit	Type*
5.0	Detector voltage range	$P_{OUT} = 5$ to 25 dBm		V_{DET}	0		2	V	A
5.1	Settling time	$P_{OUT} = 5$ to 25 dBm		t_{SET}		0.5		μs	C
5.2	Detector accuracy	$P_{OUT} = 5$ to 25 dBm $V_{CC} = 2.7$ to 3.6V $T_{amb} = -40$ to $+85^{\circ}C$		ΔP_{OUT}		± 0.7		dB	C

*) Type means: A = 100% tested, B = 100% correlation tested, C = Characterized on samples, D = Design parameter

10. Application Circuit

Figure 10-1. Application Board Schematic

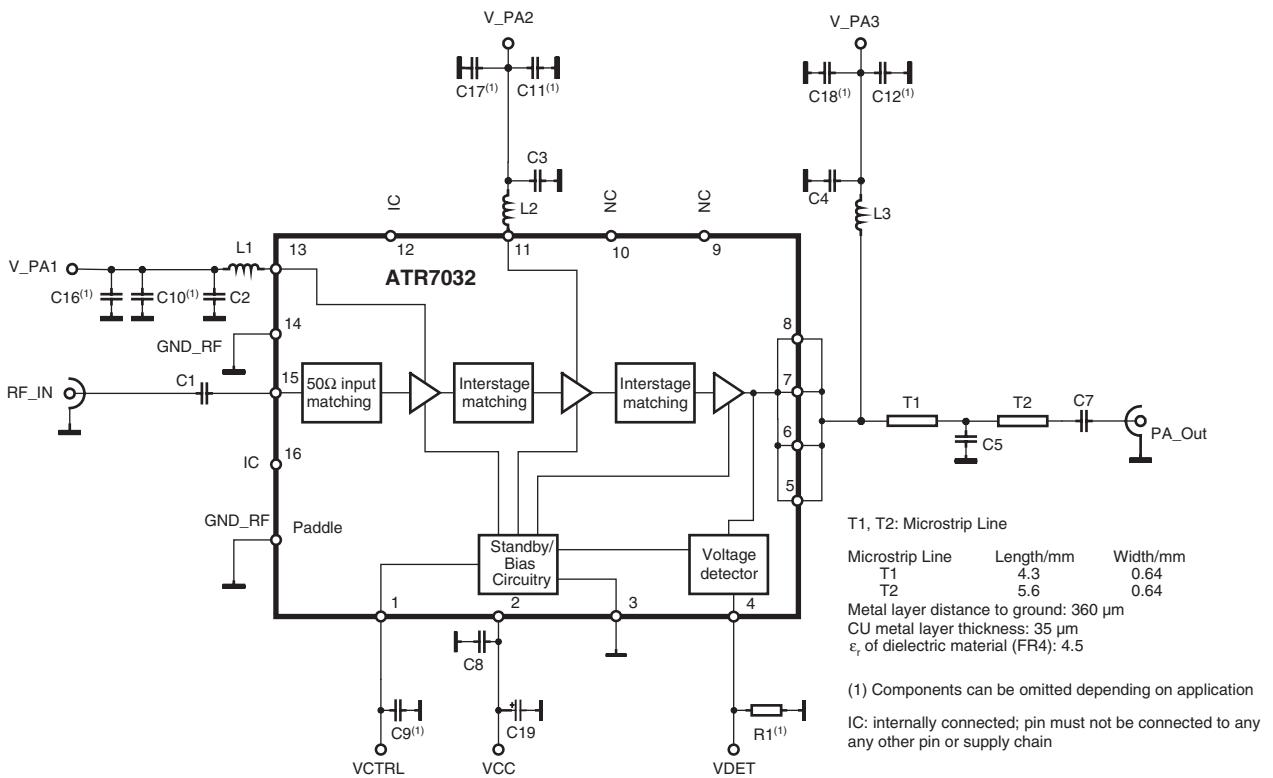


Figure 10-2. Application Board Layout

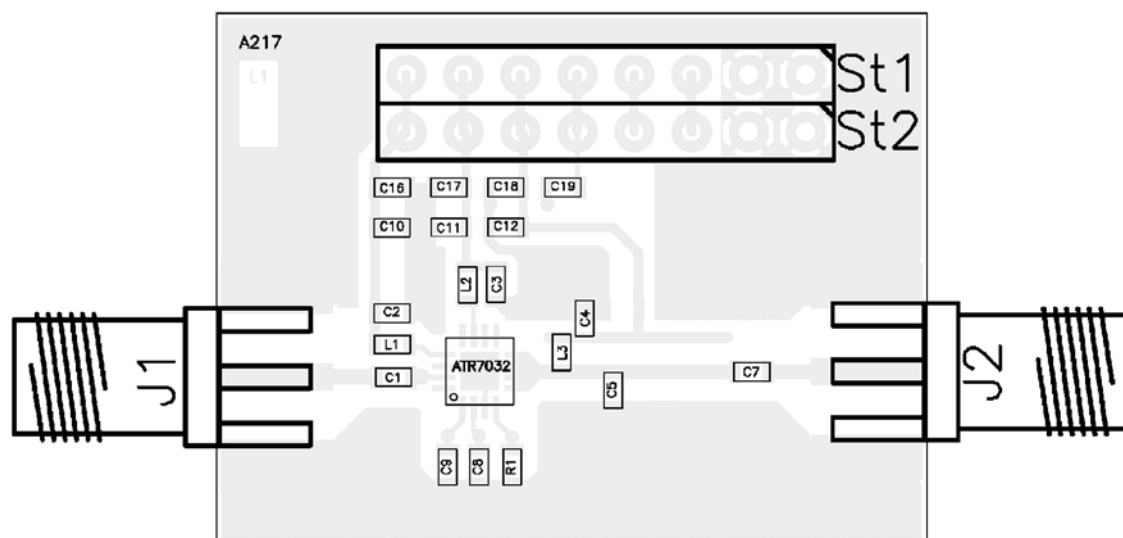


Table 10-1. Bill of Materials for Application Board

Component	Reference	Value	Size
Capacitor	C ₁	4p7	0603
Capacitor	C ₂	56p	0603
Capacitor	C ₃	56p	0603
Capacitor	C ₄	56p	0603
Capacitor	C ₅	1p8	0603
Capacitor	C ₇	4p7	0603
Capacitor	C ₈	4p7	0603
Capacitor	C ₉	4p7	0603
Capacitor	C ₁₀ ⁽¹⁾	10n	0603
Capacitor	C ₁₁ ⁽¹⁾	10n	0603
Capacitor	C ₁₂ ⁽¹⁾	10n	0603
Capacitor	C ₁₆ ⁽¹⁾	1μ	0603
Capacitor	C ₁₇ ⁽¹⁾	1μ	0603
Capacitor	C ₁₈ ⁽¹⁾	1μ	0603
Capacitor	C ₁₉ ⁽¹⁾	1μ	0603
Resistor	R ₁	22k	0603
Inductor	L ₁	15n	0603
Inductor	L ₂	15n	0603
Inductor	L ₃	15n	0603

Note: 1. Components can be omitted depending on application

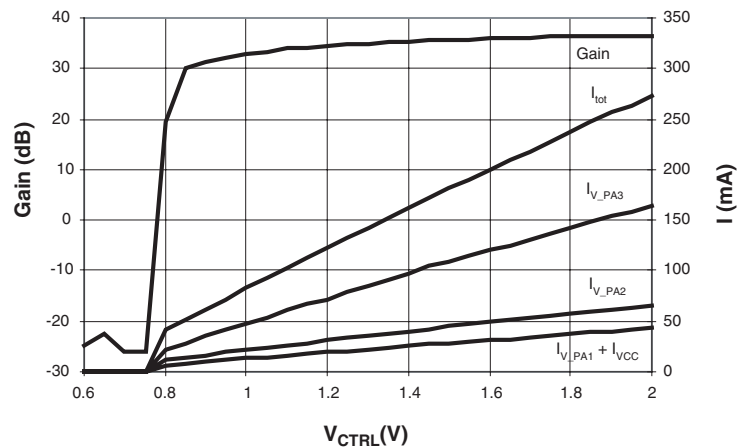
10.1 Evaluation Board Set-up Instructions

After connection of all cables (RF and DC):

- V_{CC} , V_{V_PA1} , V_{V_PA2} , $V_{RF_Out} = 3.3V$
- Increase V_{CTRL} until 90 mA quiescent current without RF signal is reached (~ 1.05V)
- Increase input power until desired linear output power is reached

11. Typical Operating Characteristics

Figure 11-1. Typical Gain and Current versus Control Voltage:



Frequency = 2450 MHz; $P_{In} = -40$ dBm; $V_{V_PA1} = V_{V_PA2} = V_{RF_Out} = V_{CC} = 3.3V$

Figure 11-2. Typical Operating Point for 54 Mbps OFDM Modulation: Frequency = 2450 MHz; $P_{Out} = 19$ dBm; $V_{V_PA1} = V_{V_PA2} = V_{RF_Out} = V_{CC} = 3.3V$

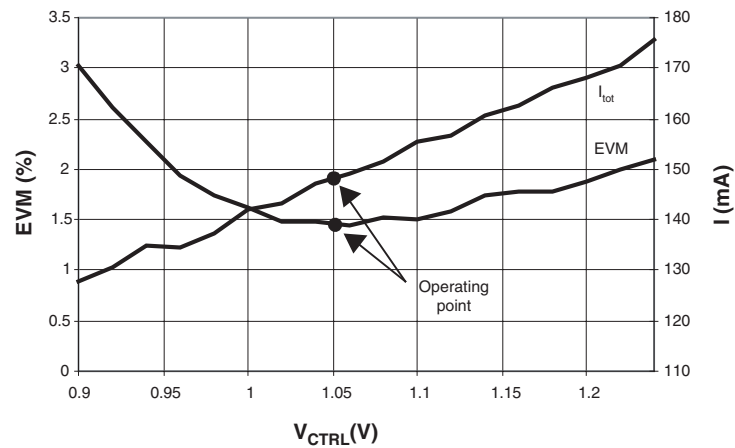


Figure 11-3. Typical S-Parameter at Operating Point: $V_{VCTRL} = 1.05V$; $I_{CC_Q} = 90\text{ mA}$;
 $V_{V_PA1} = V_{V_PA2} = V_{RF_Out} = V_{CC} = 3.3V$

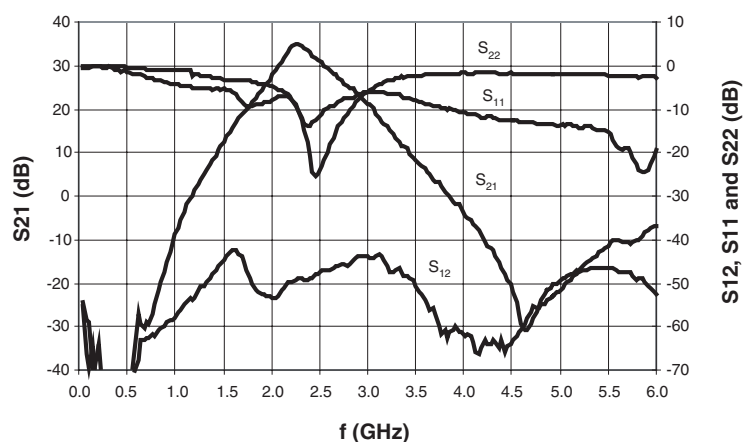


Figure 11-4. Typical S-Parameter at Operating Point (Detail): $V_{VCTRL} = 1.05V$; $I_{CC_Q} = 90\text{ mA}$;
 $V_{V_PA1} = V_{V_PA2} = V_{RF_Out} = V_{CC} = 3.3V$

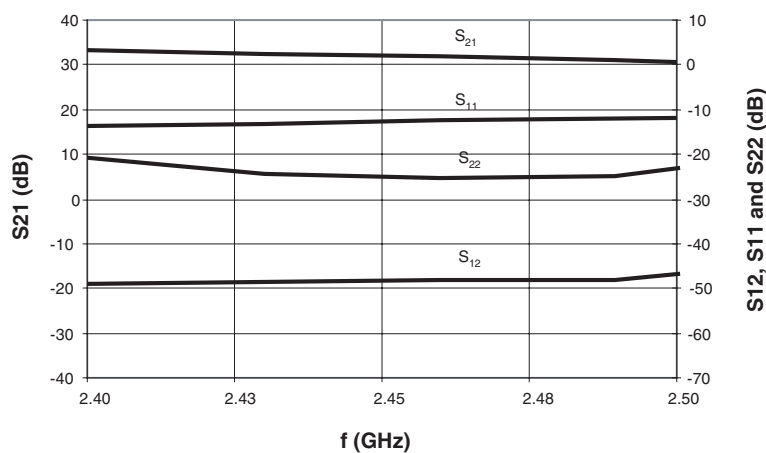


Figure 11-5. Typical Power-sweep with Unmodulated Carrier at Operating Point:
 Frequency = 2450 MHz; $V_{VCTRL} = 1.05V$; $I_{CC_Q} = 90\text{ mA}$;
 $V_{V_PA1} = V_{V_PA2} = V_{RF_Out} = V_{CC} = 3.3V$

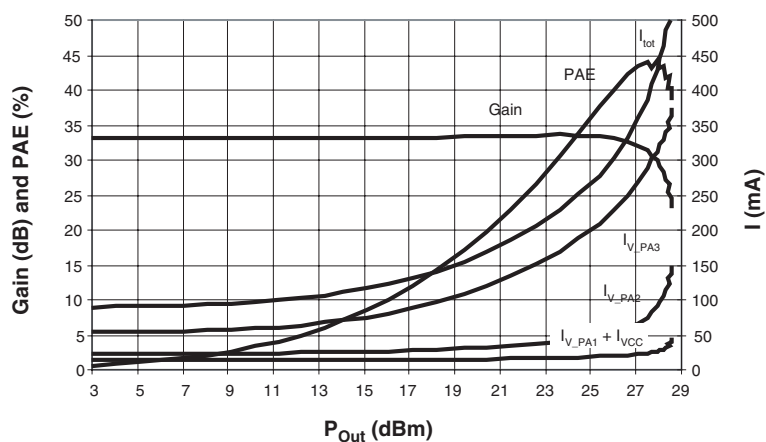


Figure 11-6. Typical Power-sweep with Unmodulated Carrier at Operating Point (Temperature Behavior): Frequency = 2450 MHz; $V_{VCTRL} = 1.05V$; $I_{CC_Q} = 90\text{ mA}$; $V_{V_PA1} = V_{V_PA2} = V_{RF_Out} = V_{CC} = 3.3V$

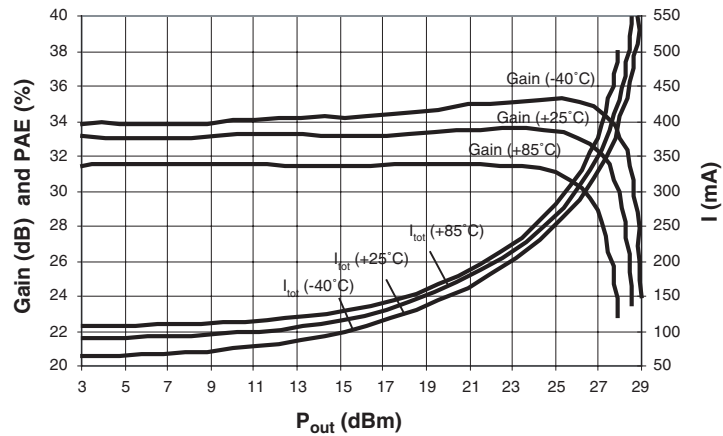


Figure 11-7. Typical Spectral Plot Conforming Compliance to 802.11b Spectral Mask for 11 Mbps CCK Modulation at Operating Point: $P_{Out} = 23\text{ dBm}$; Frequency = 2450 MHz; $V_{VCTRL} = 1.05V$; $I_{CC} = 220\text{ mA}$; $V_{V_PA1} = V_{V_PA2} = V_{RF_Out} = V_{CC} = 3.3V$

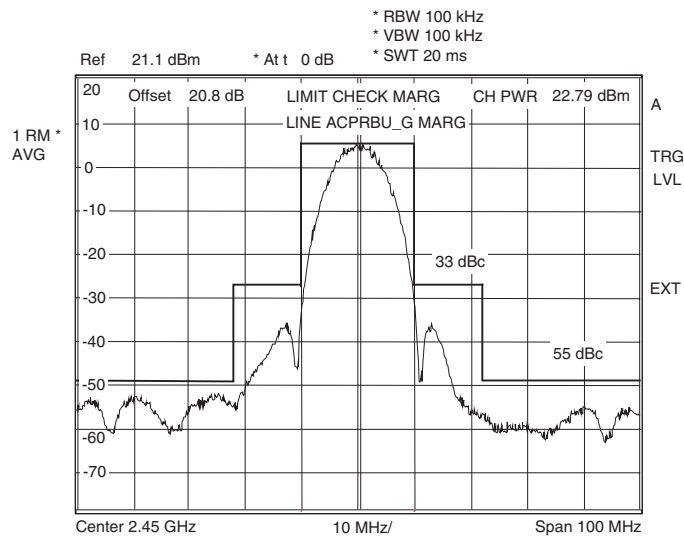


Figure 11-8. Typical Power-sweep with 54 Mbps OFDM Modulation at Operating Point:
 Frequency = 2450 MHz; $V_{VCTRL} = 1.05V$; $I_{CC_Q} = 90\text{ mA}$;
 $V_{V_PA1} = V_{V_PA2} = V_{RF_Out} = V_{CC} = 3.3V$

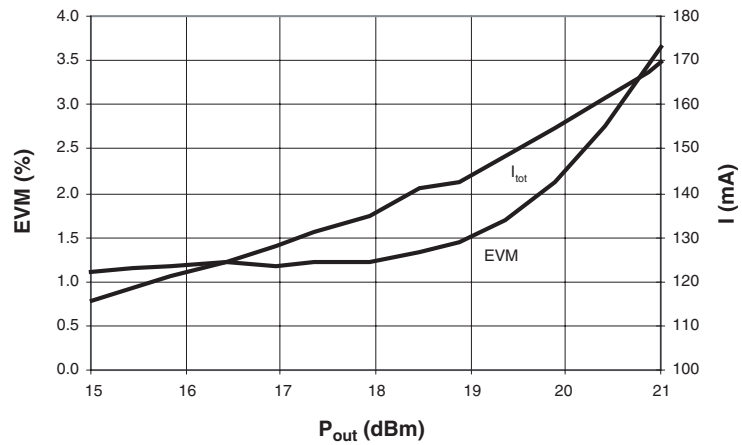


Figure 11-9. Typical Spectral Plot Conforming Compliance to 802.11g Spectral Mask for 54 Mbps OFDM Modulation at Operating Point:
 $P_{Out} = 19\text{ dBm}$; Frequency = 2450 MHz; $V_{VCTRL} = 1.05V$; $I_{CC} = 150\text{ mA}$;
 $V_{V_PA1} = V_{V_PA2} = V_{RF_Out} = V_{CC} = 3.3V$

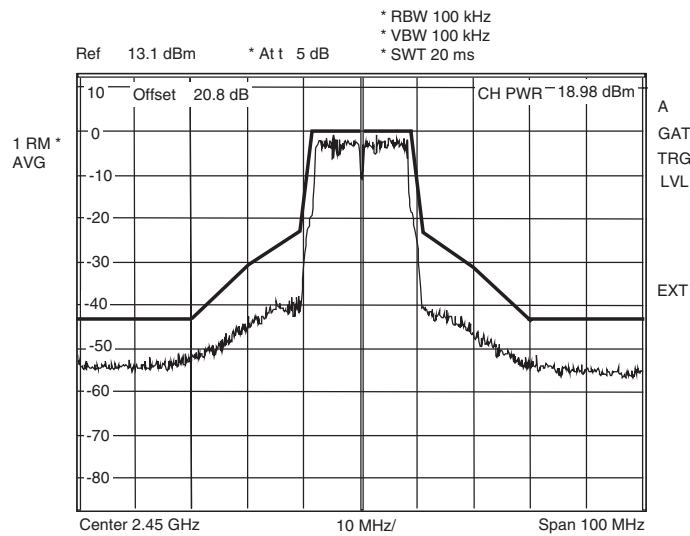


Figure 11-10. Typical Detector Voltage versus P_{Out} for Unmodulated Carrier (Temperature and VCC parameterized): Frequency = 2450 MHz; $V_{VCTRL} = 1.05V$; $I_{CC_Q} = 90\text{ mA}$; $V_{V_PA1} = V_{V_PA2} = V_{RF_Out} = V_{CC} = 2.7V, 3.3V, 3.6V$; $T_{amb} = -40^{\circ}C, 25^{\circ}C, 85^{\circ}C$

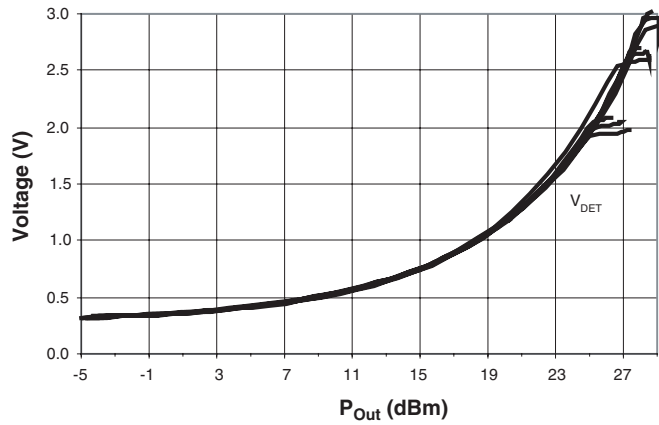


Figure 11-11. Power Detector Response (Rising Edge):

$P_{Out} = 23\text{ dBm}$; Frequency = 2450 MHz; $V_{VCTRL} = 1.05V$; $I_{CC_Q} = 90\text{ mA}$;
 $V_{V_PA1} = V_{V_PA2} = V_{RF_Out} = V_{CC} = 3.3V$

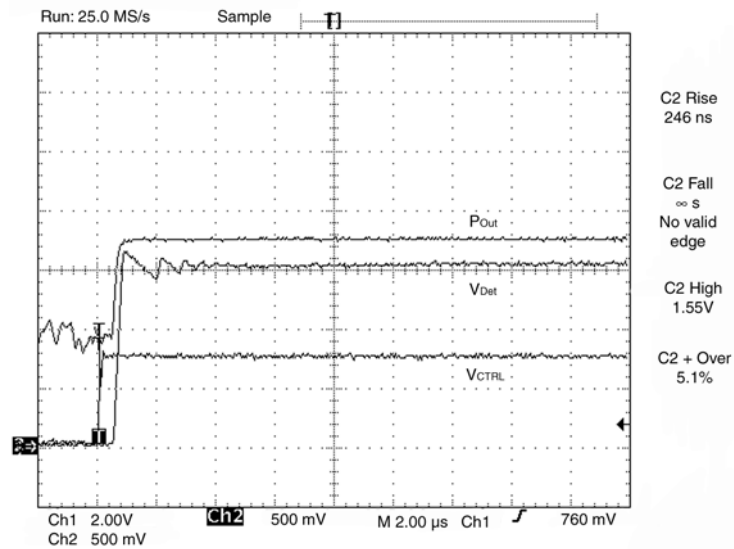
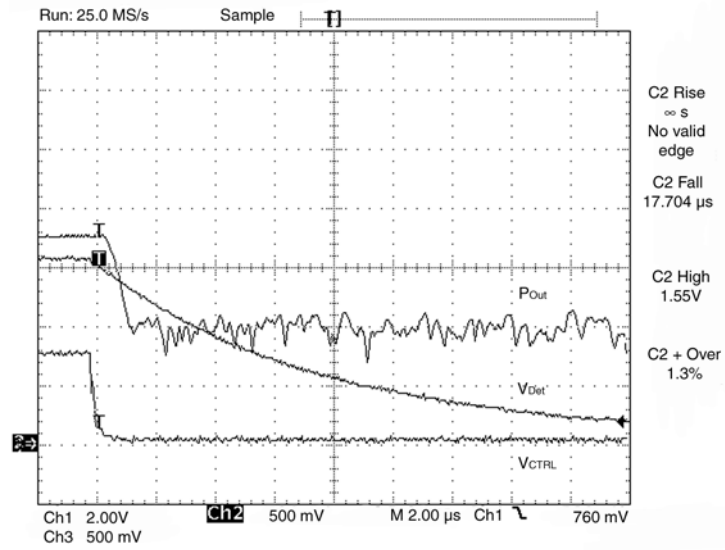


Figure 11-12. Power Detector Response (Falling Edge):

$P_{Out} = 23 \text{ dBm}$; Frequency = 2450 MHz; $V_{VCTRL} = 1.05\text{V}$; $I_{CC_Q} = 90 \text{ mA}$;
 $V_{V_PA1} = V_{V_PA2} = V_{RF_Out} = V_{CC} = 3.3\text{V}$



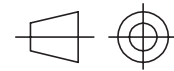
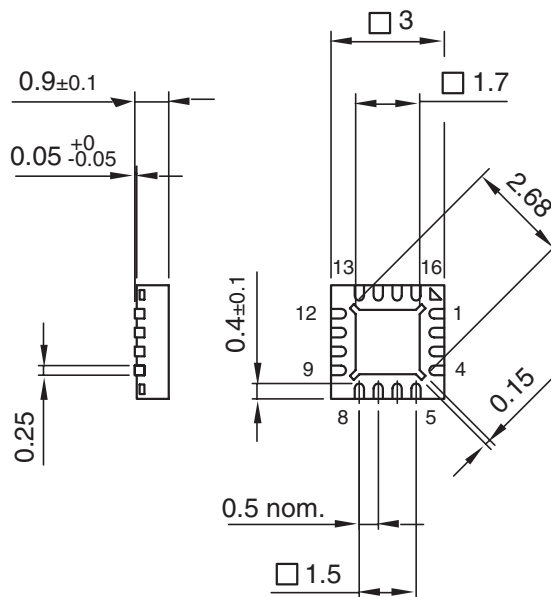
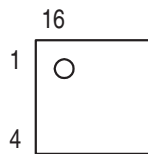
12. Ordering Information

Extended Type Number	Package	Remarks	MOQ
ATR7032-PVPW	QFN16, 3 × 3	Taped and 80 mm reeled, RoHs compliant	2000 pcs.
ATR7032-PVQW	QFN16, 3 × 3	Taped and 330 mm reeled, RoHs compliant	8000 pcs.
ATR7032-DEV-BOARD	–	Evaluation board	1

13. Package Information

Package: QFN 16 - 3x3
Exposed pad 1.7x1.7
(acc. JEDEC OUTLINE No. MO-220)
Dimensions in mm

Not indicated tolerances ± 0.05



technical drawings
according to DIN
specifications

Drawing-No.: 6.543-5115.01-4

Issue: 1; 07.03.05

Assembly Chip PAC

14. Revision History

Please note that the following page numbers referred to in this section refer to the specific revision mentioned, not to this document.

Revision No.	History
4846D-WLAN-10/07	<ul style="list-style-type: none"> Put datasheet in a new template Section 12 "Ordering Information" on page 14 changed



Headquarters

Atmel Corporation
2325 Orchard Parkway
San Jose, CA 95131
USA
Tel: 1(408) 441-0311
Fax: 1(408) 487-2600

International

Atmel Asia
Room 1219
Chinachem Golden Plaza
77 Mody Road Tsimshatsui
East Kowloon
Hong Kong
Tel: (852) 2721-9778
Fax: (852) 2722-1369

Atmel Europe
Le Krebs
8, Rue Jean-Pierre Timbaud
BP 309
78054
Saint-Quentin-en-Yvelines Cedex
France
Tel: (33) 1-30-60-70-00
Fax: (33) 1-30-60-71-11

Atmel Japan
9F, Tonetsu Shinkawa Bldg.
1-24-8 Shinkawa
Chuo-ku, Tokyo 104-0033
Japan
Tel: (81) 3-3523-3551
Fax: (81) 3-3523-7581

Product Contact

Web Site
www.atmel.com

Technical Support
broadcast@atmel.com

Sales Contact
www.atmel.com/contacts

Literature Requests
www.atmel.com/literature

Disclaimer: The information in this document is provided in connection with Atmel products. No license, express or implied, by estoppel or otherwise, to any intellectual property right is granted by this document or in connection with the sale of Atmel products. **EXCEPT AS SET FORTH IN ATMEL'S TERMS AND CONDITIONS OF SALE LOCATED ON ATMEL'S WEB SITE, ATMEL ASSUMES NO LIABILITY WHATSOEVER AND DISCLAIMS ANY EXPRESS, IMPLIED OR STATUTORY WARRANTY RELATING TO ITS PRODUCTS INCLUDING, BUT NOT LIMITED TO, THE IMPLIED WARRANTY OF MERCHANTABILITY, FITNESS FOR A PARTICULAR PURPOSE, OR NON-INFRINGEMENT. IN NO EVENT SHALL ATMEL BE LIABLE FOR ANY DIRECT, INDIRECT, CONSEQUENTIAL, PUNITIVE, SPECIAL OR INCIDENTAL DAMAGES (INCLUDING, WITHOUT LIMITATION, DAMAGES FOR LOSS OF PROFITS, BUSINESS INTERRUPTION, OR LOSS OF INFORMATION) ARISING OUT OF THE USE OR INABILITY TO USE THIS DOCUMENT, EVEN IF ATMEL HAS BEEN ADVISED OF THE POSSIBILITY OF SUCH DAMAGES.** Atmel makes no representations or warranties with respect to the accuracy or completeness of the contents of this document and reserves the right to make changes to specifications and product descriptions at any time without notice. Atmel does not make any commitment to update the information contained herein. Unless specifically provided otherwise, Atmel products are not suitable for, and shall not be used in, automotive applications. Atmel's products are not intended, authorized, or warranted for use as components in applications intended to support or sustain life.

© 2007 Atmel Corporation. All rights reserved. Atmel®, logo and combinations thereof, and others are registered trademarks or trademarks of Atmel Corporation or its subsidiaries. Other terms and product names may be trademarks of others.

Looking for pricing, stock, or lifecycle information?

Click below to explore more details on WIN SOURCE:

- ⊖ [View ATR7032-PVQW](#) on WIN SOURCE
- ⊖ [Atmel](#) Information

Optimize Your Supply Chain with WIN SOURCE Solutions

- ✓ Global Sourcing Solution
- ✓ Obsolete Management
- ✓ Cost Control Management
- ✓ Shortage Management
- ✓ Alternative Solution
- ✓ Excess Inventory Management