



**THE DATASHEET OF  
HD3SS3220RNHT**



# HD3SS3220 USB Type-C DRP Port Controller with SuperSpeed 2:1 MUX

## 1 Features

- USB Type-C Port Controller with Integrated 2:1 SuperSpeed Mux
- Compatible to USB Type-C™ Specifications
- Supports USB 3.1 G1 and G2 up to 10 Gbps
- Supports up to 15 W of Power Delivery with 3-A Current Advertisement and Detection
- Mode Configuration
  - Host Only – DFP/Source
  - Device Only – UFP/Sink
  - Dual Role Port - DRP
- Channel Configuration (CC)
  - Attach of USB Port Detection
  - Cable Orientation Detection
  - Role Detection
  - Type-C Current Mode (Default, Mid, High)
- $V_{(BUS)}$  Detection and VCONN Support for Active Cables
- Audio and Debug Accessory Support
- Supports for Try.SRC and Try.SNK DRP Modes
- Configuration Control through GPIO and I<sup>2</sup>C
- Low Active and Standby Current Consumptions
- Industrial Temperature Range of –40 to 85°C

## 2 Applications

- USB Host, Device, Hub
- Mobile Phones, Tablets and Notebooks
- USB Peripherals such as Thumb Drives, Portable Hard Disks, Set Top Box

## 3 Description

HD3SS3220 is a USB SuperSpeed (SS) 2:1 mux with DRP port controller. The device provides Channel Configuration (CC) logic and 5V VCONN sourcing for ecosystems implementing USB Type-C. The HD3SS3220 can be configured as a Downstream Facing Port (DFP), Upstream Facing Port (UFP) or a Dual Role Port (DRP) making it ideal for any application.

The HD3SS3220, in DRP mode, alternates presenting itself as a DFP or UFP according to the Type-C specifications. The CC logic block monitors the CC1 and CC2 pins for pull-up or pull-down resistances to determine when a USB port has been attached and its port role. Once a USB port has been attached, the CC logic also determines the orientation of the cable and configures the USB SS mux accordingly. Finally, CC logic advertises or detects Type-C current mode – Default, Mid, or High in DFP and UFP modes respectively.

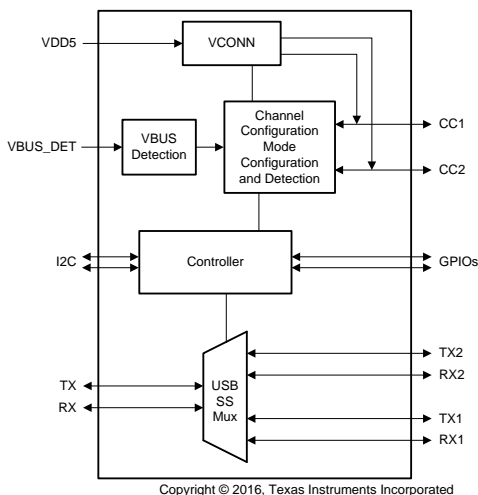
Excellent dynamic characteristics of the integrated mux allow switching with minimum attenuation to the SS signal eye diagram and very little added jitter. The device's switch paths deploy adaptive common mode voltage tracking resulting identical channel despite different common mode voltage for RX and TX channels.

### Device Information<sup>(1)</sup>

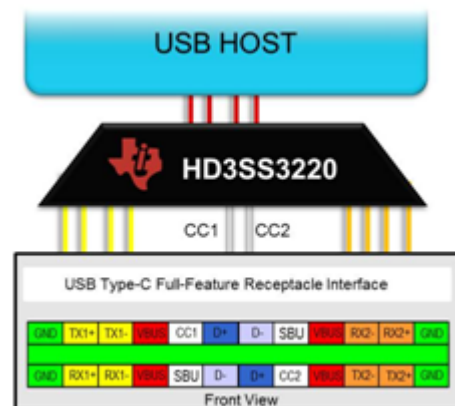
PART NUMBER	PACKAGE	BODY SIZE (NOM)
HD3SS3220	VQFN RNH (30)	2.50 mm x 4.50 mm
HD3SS3220I		

(1) For all available packages, see the orderable addendum at the end of the data sheet.

### Simplified Schematic



### Typical Application



## Table of Contents

<b>1 Features</b> .....	<b>1</b>	7.5 Programming.....	<b>18</b>
<b>2 Applications</b> .....	<b>1</b>	7.6 Register Maps .....	<b>19</b>
<b>3 Description</b> .....	<b>1</b>	<b>8 Application and Implementation</b> .....	<b>23</b>
<b>4 Revision History</b> .....	<b>2</b>	8.1 Application Information.....	<b>23</b>
<b>5 Pin Configuration and Functions</b> .....	<b>3</b>	8.2 Typical Application, DRP Port .....	<b>24</b>
<b>6 Specifications</b> .....	<b>5</b>	<b>9 Power Supply Recommendations</b> .....	<b>29</b>
6.1 Absolute Maximum Ratings .....	<b>5</b>	<b>10 Layout</b> .....	<b>30</b>
6.2 ESD Ratings.....	<b>5</b>	10.1 Layout Guidelines .....	<b>30</b>
6.3 Recommended Operating Conditions.....	<b>5</b>	10.2 Layout .....	<b>36</b>
6.4 Thermal Information .....	<b>6</b>	<b>11 Device and Documentation Support</b> .....	<b>37</b>
6.5 Electrical Characteristics.....	<b>6</b>	11.1 Receiving Notification of Documentation Updates	<b>37</b>
6.6 Timing Requirements .....	<b>8</b>	11.2 Community Resources.....	<b>37</b>
<b>7 Detailed Description</b> .....	<b>10</b>	11.3 Trademarks .....	<b>37</b>
7.1 Overview .....	<b>10</b>	11.4 Electrostatic Discharge Caution.....	<b>37</b>
7.2 Functional Block Diagram .....	<b>12</b>	11.5 Glossary .....	<b>37</b>
7.3 Feature Description.....	<b>13</b>	<b>12 Mechanical, Packaging, and Orderable Information</b> .....	<b>37</b>
7.4 Device Functional Modes.....	<b>16</b>		

## 4 Revision History

### Changes from Revision B (September 2016) to Revision C Page

- Added R<sub>VBUS</sub> values: MIN = 855, TYP = 887, MAX = 920 KΩ ..... **7**

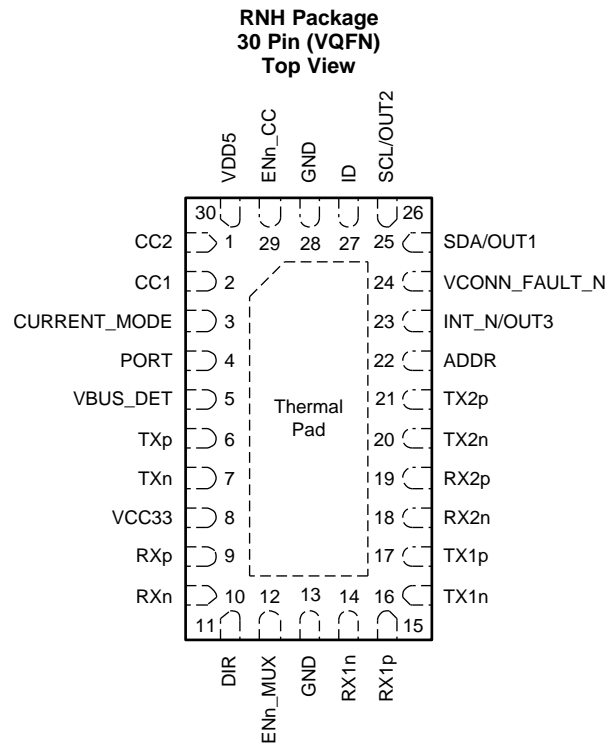
### Changes from Revision A (August 2016) to Revision B Page

- Changed pins CC1 and CC2 values From: MIN = -0.3 MAX = VDD5 +0.3 To: MIN -0.3 MAX = 6 in the *Absolute Maximum Ratings*..... **5**

### Changes from Original (December 2016) to Revision A Page

- *Absolute Maximum Ratings*, Deleted "ENn\_MUX" from the Control Pins..... **5**
- *ESD Ratings*, Deleted text "Pins listed as ±XXX V may actually have higher performance." from Note 1..... **5**
- *Recommended Operating Conditions*, Added "VDD5 supply ramp time" .....

## 5 Pin Configuration and Functions



### Pin Functions

PIN		I/O	DESCRIPTION
NAME	NO.		
CC2	1	I/O	Type-C Configuration channel signal 2
CC1	2	I/O	Type-C Configuration channel signal 1
CURRENT_MODE	3	I	Tri-level input pin to indicate current advertisement in DFP (or DFP in DRP) mode while in GPIO mode. Don't care in UFP mode. Provides the flexibility to advertise higher current without I <sup>2</sup> C. The pin has 250 K internal pull-down. L - Low - Default - 900 mA M - Medium (Install 500 K to VDD on the PCB) - 1.5 A H - High (Install 10 K to VDD on the PCB) - 3 A
PORT	4	I	Tri-level input pin to indicate port mode. The state of this pin is sampled when HD3SS3220's ENn_CC is asserted low, and VDD is active. This pin is also sampled following a I2C_SOFT_RESET. H - DFP (Pull-up to VDD if DFP mode is desired) NC - DRP (Leave unconnected if DRP mode is desired) L - UFP (Pull-down or tie to GND if UFP mode is desired)
VBUS_DET	5	I	5-28V VBUS input voltage. VBUS detection determines UFP attachment. One 900K external resistor required between system VBUS and VBUS_DET pin.
TXp	6	I/O	Host/Device USB SuperSpeed differential Signal TX positive
TXn	7	I/O	Host/Device USB SuperSpeed differential Signal TX negative
VCC33	8	P	3.3-V Power supply
RXp	9	I/O	Host/Device USB SuperSpeed differential Signal RX positive
RXn	10	I/O	Host/Device USB SuperSpeed differential Signal RX negative
DIR	11	O	Type-C plug orientation. Open drain output. A pull-up resistor (that is, 200 K) must be installed for proper operation of the device.
ENn_MUX	12	I	Active Low MUX Enable: L - Normal operation, and H - Shutdown.
GND	13, 28	G	Ground
RX1n	14	I/O	Type-C Port - USB SuperSpeed differential Signal RX1 negative
RX1p	15	I/O	Type-C Port - USB SuperSpeed differential Signal RX1 positive

**Pin Functions (continued)**

PIN		I/O	DESCRIPTION
NAME	NO.		
TX1n	16	I/O	Type-C Port - USB SuperSpeed differential Signal TX1 negative
TX1p	17	I/O	Type-C Port - USB SuperSpeed differential Signal TX1 positive
RX2n	18	I/O	Type-C Port - USB SuperSpeed differential Signal RX2 negative
RX2p	19	I/O	Type-C Port - USB SuperSpeed differential Signal RX2 positive
TX2n	20	I/O	Type-C Port - USB SuperSpeed differential Signal TX2 negative
TX2p	21	I/O	Type-C Port - USB SuperSpeed differential Signal TX2 positive
ADDR	22	I	Tri-level input pin to indicate I <sup>2</sup> C address or GPIO mode: H (connect to VDD5) - I <sup>2</sup> C is enabled and I2C 7-bit address is 0x67. NC - GPIO mode (I2C is disabled) L (connect to GND) - I <sup>2</sup> C is enabled and I2C 7-bit address is 0x47. ADDR pin should be pulled up to VDD if high configuration is desired
INT_N/OUT3	23	O	The INT_N/OUT3 is a dual-function pin. When used as the INT_N, the pin is an open drain output in I <sup>2</sup> C control mode and is an active low interrupt signal for indicating changes in I <sup>2</sup> C registers. When used as OUT3, the pin is in audio accessory detect in GPIO mode: H - no detection, and L - audio accessory connection detected.
VCONN_FAULT_N	24	O	Open drain output. Asserted low when VCONN overcurrent detected.
SDA/OUT1	25	I/O	The SDA/OUT1 is a dual-function pin. When I2C is enabled (ADDR pin is high or low), this pin is the I <sup>2</sup> C communication data signal. When in GPIO mode (ADDR pin is NC), this pin is an open drain output for communicating Type-C current mode detect when the device is in UFP mode: H – Default (900 mA) current mode detected, and L – Medium (1.5 A) or High (3 A) Current Mode detected.
SCL/OUT2	26	I/O	The SCL/OUT2 is a dual function pin. When I <sup>2</sup> C is enabled (ADDR pin is high or low), this pin is the I <sup>2</sup> C communication clock signal. When in GPIO mode (ADDR pin is NC), this pin is an open drain output for communicating Type-C current mode detect when the device is in UFP mode: H – Default or Medium current mode detected, and L – High current mode detected.
ID	27	O	Open drain output. Asserted low when CC pin detected device attachment when port is a source (DFP), or dual-role (DRP) acting as source (DFP).
ENn_CC	29	I	Enable signal for CC controller. Enable is active low.
VDD5	30	P	5-V Power supply
Thermal Pad	–	–	The thermal PAD must be connected to GND, see the Thermal Pad connection techniques (SLMA002).

## 6 Specifications

### 6.1 Absolute Maximum Ratings

over operating free-air temperature range (unless otherwise noted)<sup>(1)</sup>

		MIN	MAX	UNIT
5-V Supply Voltage	VDD5	-0.3	6	V
3.3-V Supply Voltage	VCC33	-0.3	4	V
Control Pins	ADDR, PORT, ID, DIR, INT_N/OUT3, ENn_CC, SDA/OUT1, SCL/OUT2	-0.3	VDD5 +0.3	V
	CC1, CC2	-0.3	6	V
	ENn_MUX, DIR	-0.3	VCC33 +0.3	V
	VBUS_DET	-0.3	4	V
Super-speed Differential Signal Pins	[RX/TX] [p/n], [RX/TX][2/1][p/n]	-0.3	2.5	V
Storage temperature, T <sub>stg</sub>		-65	150	°C

- (1) Stresses beyond those listed under *Absolute Maximum Ratings* may cause permanent damage to the device. These are stress ratings only, which do not imply functional operation of the device at these or any other conditions beyond those indicated under *Recommended Operating Conditions*. Exposure to absolute-maximum-rated conditions for extended periods may affect device reliability.

### 6.2 ESD Ratings

		VALUE	UNIT
V <sub>(ESD)</sub> Electrostatic discharge	Human-body model (HBM), per ANSI/ESDA/JEDEC JS-001 <sup>(1)</sup>	±2000	V
	Charged-device model (CDM), per JEDEC specification JESD22-C101 <sup>(2)</sup>	±1500	

- (1) JEDEC document JEP155 states that 500-V HBM allows safe manufacturing with a standard ESD control process. Manufacturing with less than 500-V HBM is possible with the necessary precautions.  
(2) JEDEC document JEP157 states that 250-V CDM allows safe manufacturing with a standard ESD control process..

### 6.3 Recommended Operating Conditions

over operating free-air temperature range (unless otherwise noted)

		MIN	NOM	MAX	UNIT
V <sub>DD5</sub>	5-V Supply Voltage range	4.5 <sup>(1)</sup>		5.5	V
V <sub>CC33</sub>	3.3-V Supply Voltage range	3		3.6	V
V <sub>DD</sub>	Supply range for I2C (SDA, SCL) pins	1.65		3.6	V
V <sub>DD5(ramp)</sub>	VDD5 supply ramp time			25	ms
V <sub>(diff)</sub>	High speed signal pins differential voltage	0		1.8	V <sub>PP</sub>
V <sub>(cm)</sub>	High speed signal pins common mode voltage	0		2	V
T <sub>A</sub>	Operating free-air/ambient temperature (HD3SS3220)	0		70	°C
T <sub>A</sub>	Operating free-air/ambient temperature (HD3SS3220I)	-40		85	°C
V <sub>(BUS)</sub>	System V <sub>(BUS)</sub> input voltage through 900-K resistor	4	5	28	V
C <sub>(BULK)</sub>	Bulk capacitance on VCONN. Only when VCONN is on. Disconnected when VCONN is off. Shall be placed on VDD5.	10		200	μF
R <sub>(p_ODext)</sub>	External Pull up resistor on Open Drain IOs (OUT1, OUT2, INT/OUT3, ID, VCONN_FAULT_N, and DIR pins)		200		KΩ
R <sub>(p_TLext)</sub>	Tri-level input external pull-up resistor (PORT and ADDR pins)		4.7		KΩ
R <sub>(p_15A)</sub>	External pull up resistor to advertise 1.5 A (CURRENT_MODE pin)		500		KΩ
R <sub>(p_3A)</sub>	External pull up resistor to advertise 3 A (CURRENT_MODE pin)		10		KΩ
R <sub>(p_i2c_ext)</sub>	External Pull up resistance on I <sup>2</sup> C bus (Could be 4.7 K or higher. Nominal value listed)		2.2		KΩ
R <sub>(VBUS)</sub>	External resistor on VBUS_DET pin	880	900	910	KΩ
C <sub>(bus,i2c)</sub>	Total capacitive load for each I <sup>2</sup> C bus line			400	pF

- (1) With 200 mA VCONN current for VCONN ≥ 4.75 V at connector, VDD5 ≥ 5 V is recommended

## 6.4 Thermal Information

THERMAL METRIC <sup>(1)</sup>		HD3SS3220	UNIT
		RNH (VQFN)	
		30 PINS	
$R_{\theta JA}$	Junction-to-ambient thermal resistance	60.9	°C/W
$R_{\theta JC(top)}$	Junction-to-case (top) thermal resistance	50.4	°C/W
$R_{\theta JB}$	Junction-to-board thermal resistance	22.8	°C/W
$\Psi_{JT}$	Junction-to-top characterization parameter	1.7	°C/W
$\Psi_{JB}$	Junction-to-board characterization parameter	22.6	°C/W
$R_{\theta JC(bot)}$	Junction-to-case (bottom) thermal resistance	12.1	°C/W

(1) For more information about traditional and new thermal metrics, see the [Semiconductor and IC Package Thermal Metrics](#) application report.

## 6.5 Electrical Characteristics

over operating free-air temperature range (unless otherwise noted)

PARAMETER	TEST CONDITIONS	MIN	TYP	MAX	UNIT	
<b>Power Consumption</b>						
$I_{(ACTIVE)}$	Current consumption in active mode- both CC controller and SS mux on	ENn_CC/Mux = L		0.7	0.9	mA
$I_{CC}$	Current consumption in active mode – CC controller on and SS mux off	ENn_CC = L, ENn_Mux = H		0.2		mA
$I_{(SHUTDOWN)}$	Current consumption in shutdown mode	ENn_CC/Mux = H		5		µA
<b>CC PINS</b>						
$R_{(CC\_DB)}$	Pulldown resistor when in dead-battery mode.	4.1	5.1	6.1	kΩ	
$R_{(CC\_D)}$	Pulldown resistor when in UFP or DRP mode.	4.6	5.1	5.6	kΩ	
$V_{(UFP\_CC\_USB)}$	Voltage level for detecting a DFP attach when configured as a UFP and DFP is advertising default current source capability.	0.25		0.61	V	
$V_{(UFP\_CC\_MED)}$	Voltage level for detecting a DFP attach when configured as a UFP and DFP is advertising medium (1.5 A) current source capability.	0.7		1.16	V	
$V_{(UFP\_CC\_HIGH)}$	Voltage level for detecting a DFP attach when configured as a UFP and DFP is advertising high (3 A) current source capability.	1.31		2.04	V	
$V_{(DFP\_CC\_USB)}$	Voltage level for detecting a UFP attach when configured as a DFP and advertising default current source capability.	1.51	1.6	1.64	V	
$V_{(DFP\_CC\_MED)}$	Voltage level for detecting a UFP attach when configured as a DFP and advertising 1.5-A current source capability.	1.51	1.6	1.64	V	
$V_{(DFP\_CC\_HIGH)}$	Voltage level for detecting a UFP attach when configured as a DFP and advertising 3-A current source capability.	2.46	2.6	2.74	V	
$V_{(AC\_CC\_USB)}$	Voltage level for detecting an active cable attach when configured as a DFP and advertising default current source capability.	0.15	0.2	0.25	V	
$V_{(AC\_CC\_MED)}$	Voltage level for detecting an active cable attach when configured as a DFP and advertising 1.5-A current source capability.	0.35	0.4	0.45	V	
$V_{(DFP\_CC\_HIGH)}$	Voltage level for detecting an active cable attach when configured as a DFP and advertising 3-A current source capability.	0.75	0.8	0.84	V	
$I_{CC(DEFAULT\_P)}$	Default mode pull-up current source when operating in DFP or DRP mode.	64	80	96	µA	
$I_{CC(MED\_P)}$	Medium (1.5 A) mode pull-up current source when operating in DFP or DRP mode.	166	180	194	µA	
$I_{CC(HIGH\_P)}$	High (3 A) mode pull-up current source when operating in DFP or DRP mode.	34	330	356	µA	
<b>3-Level Input Pins: PORT, ADDR, ENn_CC and CURRENT_MODE</b>						
$V_{IL}$	Low-level input voltage			0.4	V	

## Electrical Characteristics (continued)

over operating free-air temperature range (unless otherwise noted)

PARAMETER		TEST CONDITIONS	MIN	TYP	MAX	UNIT
V <sub>M</sub>	Mid-Level (Floating) voltage (PORT, ADDR and CURRENT_MODE pins)		0.28 x VDD5		0.56 x VDD5	V
V <sub>IH</sub>	High-level input voltage		VDD5 - 0.3		VDD5	V
I <sub>IH</sub>	High-level input current		20		20	μA
I <sub>IL</sub>	Low-level input current		-10		10	μA
I <sub>ID(LKG)</sub>	Current Leakage on ID pin	VDD5 = 0 V, ID = 5 V			10	μA
R <sub>(pu)</sub>	Internal pull-up resistance (PORT and ADDR pins)			588		kΩ
R <sub>(pd)</sub>	Internal pull-down resistance (PORT and ADDR pins)			1.1		MΩ
R <sub>(pd_CURRENT)</sub>	Internal pull-down resistance (CURRENT_MODE pin)			275		kΩ
R <sub>(ENn_CC)</sub>	Internal pull-up resistance (ENn_CC pin)			1.1		MΩ
<b>Input Pins: ENn_MUX</b>						
V <sub>IL</sub>	Low-level input voltage				0.3 x VCC33	V
V <sub>IH</sub>	High-level input voltage		0.7 x VCC33			V
I <sub>IH</sub>	High-level input current		-1		1	μA
I <sub>IL</sub>	Low-level input current		-1		1	μA
<b>Open Drain Output Pins: OUT1, OUT2, INT_N/OUT3, ID, VCONN_FAULT_N, DIR</b>						
V <sub>OL</sub>	Low-level signal output voltage	I <sub>OL</sub> = -1.6 mA			0.4	V
<b>I2C– SDA/OUT1, SCL/OUT2 can Operate from 1.8/3.3 V (±10%)<sup>(1)</sup></b>						
V <sub>IH</sub>	High-level input voltage		1.05			V
V <sub>IL</sub>	Low-level input voltage				0.4	V
V <sub>OL</sub>	Low-level output voltage (open-drain)	I <sub>OL</sub> = -1.6 mA			0.4	V
<b>VBUS_DET IO Pin (Connected to System VBUS Signal)</b>						
V <sub>(BUS_THR)</sub>	VBUS threshold range		2.95	3.3	3.8	V
R <sub>VBUS</sub>	External resistor between V <sub>BUS</sub> and VBUS_DET pin		855	887	920	KΩ
R <sub>(VBUS_DET_INT)</sub>	Internal pull-down resistor at VBUS_DET pin			95		kΩ
<b>VCONN</b>						
R <sub>ON</sub>	On resistance of the VCONN power FET				1.25	Ω
V <sub>(TOL)</sub>	Voltage tolerance on VCONN power FET				5.5	V
V <sub>(PASS)</sub>	Voltage to pass through VCONN power FET				5.5	V
I <sub>(VCONN)</sub>	VCONN current limit. VCONN will be disconnected above this value		225	300	375	mA
<b>MUX High Speed Performance Parameters</b>						
I <sub>L</sub>	Differential Insertion Loss	f = 0.3 Mhz		-0.43		dB
		f = 2.5 Ghz		-1.07		
		f = 5 Ghz		-1.42		
BW	Bandwidth			8		Ghz
R <sub>L</sub>	Differential return loss	f = 0.3 Mhz		-27		dB
		f = 2.5 Ghz		-9		
		f = 5 Ghz		-9		
O <sub>IRR</sub>	Differential OFF isolation	f = 0.3 Mhz		-79		dB
		f = 2.5 Ghz		-23		
		f = 5 Ghz		-20		
X <sub>TALK</sub>	Differential Cross Talk	f = 0.3 Mhz		-89		dB
		f = 2.5 Ghz		-34		
		f = 5 Ghz		-30		
R <sub>ON</sub>	On resistance				8	Ω

 (1) When using 3.3 V for I<sup>2</sup>C, customer must ensure VDD is above 3 V at all times.

### 6.6 Timing Requirements

		MIN	NOM	MAX	UNIT
<b>I2C (SDA, SCL)</b>					
$t_{SU:DAT}$	Data setup time	250			ns
$t_{SU:STA}$	Set-up time, SCL to start condition	4.7			$\mu$ s
$t_{HD:STA}$	Hold time,(repeated) start condition to SCL	0.4			$\mu$ s
$t_{SU:STO}$	Set up time for STOP condition	0.4			$\mu$ s
$t_{BUF}$	Bus free time between a STOP and START condition	4.7			$\mu$ s
$f_{SCL}$	SCL clock frequency; I <sup>2</sup> C mode for local I <sup>2</sup> C control			100	ns
$t_r$	Rise time of both SDA and SCL signals			1000	ns
$t_f$	Fall time of both SDA and SCL signals			300	ns
<b>SS MUX</b>					
$t_{PD}$	Switch propagation delay See <a href="#">Figure 3</a>			80	ps
$t_{SW\_ON}$	Switching time DIR-to-Switch ON See <a href="#">Figure 2</a>			0.5	$\mu$ s
$t_{SW\_OFF}$	Switching time DIR-to-Switch OFF See <a href="#">Figure 2</a>			0.5	$\mu$ s
$t_{SK\_INTRA}$	Intra-pair output skew See <a href="#">Figure 3</a>			5	ps
$t_{SK\_INTER}$	Inter-pair output skew See <a href="#">Figure 3</a>			20	ps

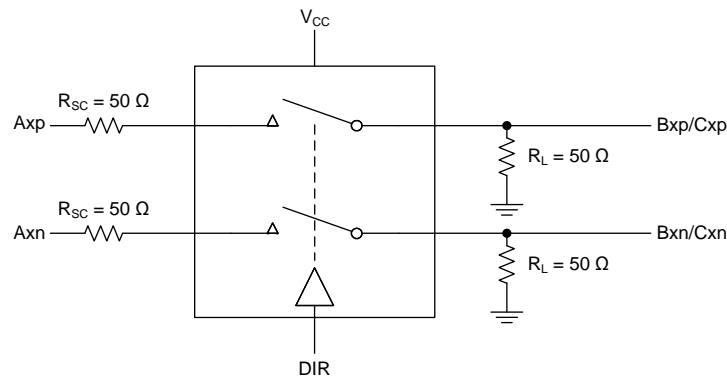


Figure 1. Test Setup

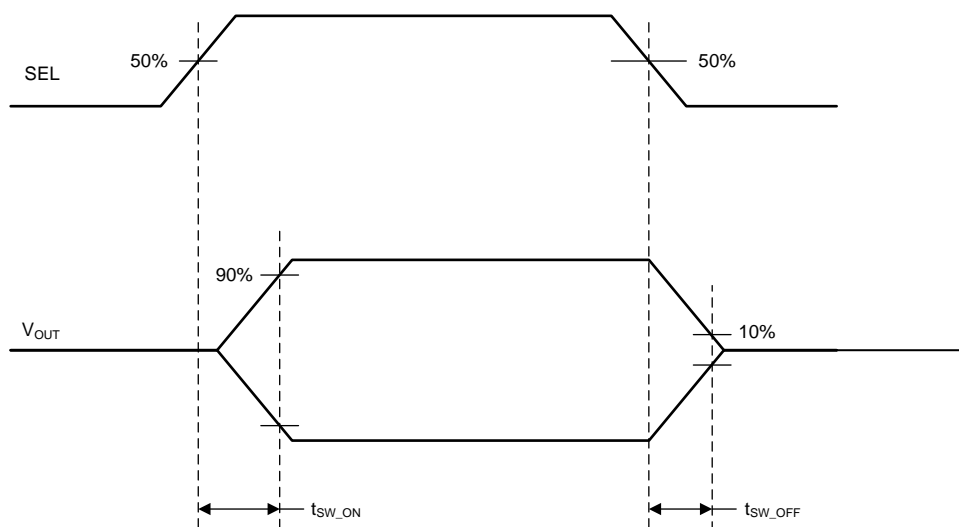
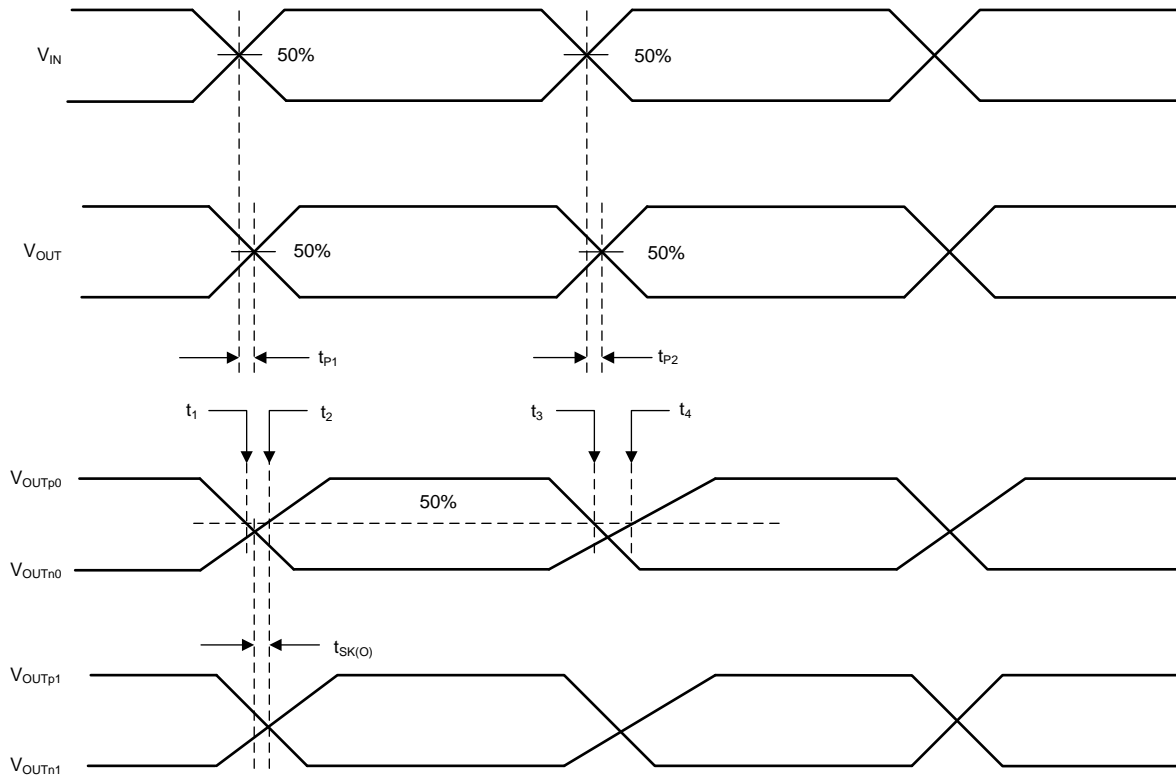


Figure 2. Switch On and Off Timing Diagram



**Figure 3. Timing Diagrams and Test Setup**

## 7 Detailed Description

### 7.1 Overview

The USB Type-C ecosystem operates around a small form factor connector and cable that is flippable and reversible. Due to the nature of the connector, a scheme is needed to determine the connector orientation. Additional schemes are needed to determine when a USB port is attached, determine the acting role of the USB port (DFP, UFP, DRP), and communicate Type-C current capabilities. These schemes are implemented over the CC pins according to the USB Type-C specifications. The HD3SS3220 provides Configuration Channel (CC) logic for determining USB port attach/detach, role detection, cable orientation, and Type-C current mode. The HD3SS3220 also contains several features such as VCONN sourcing, audio and debug accessory modes, Try.SRC and Try.SNK DRP configurations which make this device ideal for source, sink or dual role applications with USB 2.0 or USB 3.1.

HD3SS3220 has integrated USB 3.0/3.1 SS/SS+ MUX with 2 channel 2:1 switching required to handle cable flips. The CC controller determines the orientation of the cable and controls the MUX selection. The device also provides this orientation signal as a GPIO signal DIR that can be used in the system for increased flexibility and features.

#### 7.1.1 Cables, Adapters, and Direct Connect Devices

Type-C Specification defines several cables, plugs and receptacles to be used to attach ports. The HD3SS3220 supports all cables, receptacles, and plugs. The HD3SS3220 device does not support any USB feature which requires USB Power Delivery (PD) communications over CC lines, such as e-marking or alternate mode.

##### 7.1.1.1 USB Type-C receptacles and Plugs

The following is a list of Type-C receptacles and plugs supported by the HD3SS3220 device:

- USB Type-C receptacle for USB2.0 and USB3.1 and full-featured platforms and devices
- USB Full-Featured Type-C plug
- USB2.0 Type-C Plug

##### 7.1.1.2 USB Type-C Cables

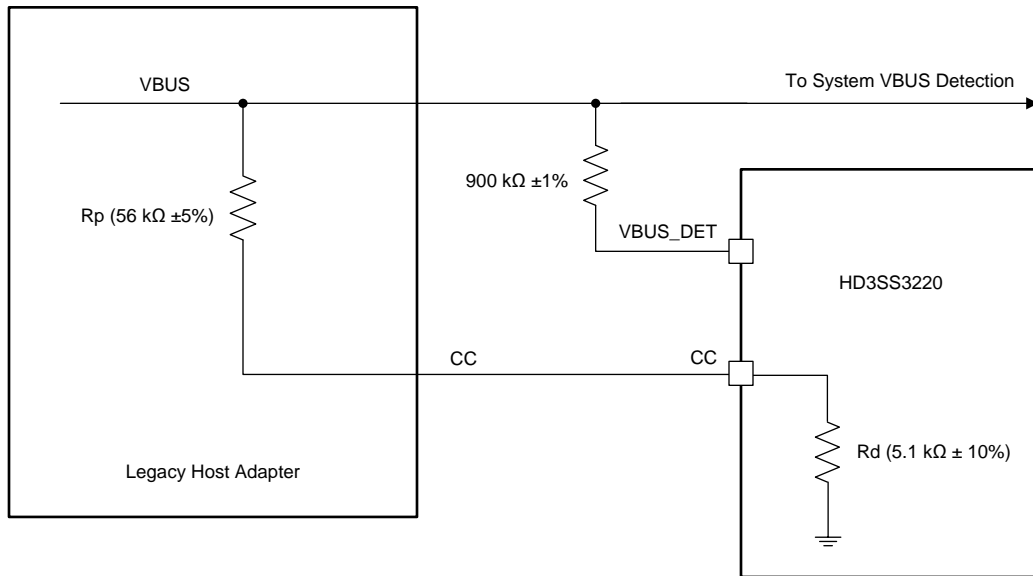
The following is a list of Type-C cables supported by the HD3SS3220 device:

- USB Full-featured Type-C cable with USB3.1 full featured plug
- USB2.0 Type-C cable with USB2.0 plug
- Captive cable with either a USB Full featured plug or USB2.0 plug

##### 7.1.1.3 Legacy Cables and Adapters

The HD3SS3220 supports legacy cable adapters as defined by the Type-C specifications. The cable adapter must correspond to the mode configuration of the HD3SS3220 device.

Overview (continued)



Copyright © 2016, Texas Instruments Incorporated

Figure 4. Legacy Adapter Implementation Circuit

7.1.1.4 Direct Connect Device

HD3SS3220 supports the attaching and detaching of a direct connect device such as cradle dock.

7.1.1.5 Audio Adapters

Additionally, HD3SS3220 supports audio adapters for audio accessory mode, including:

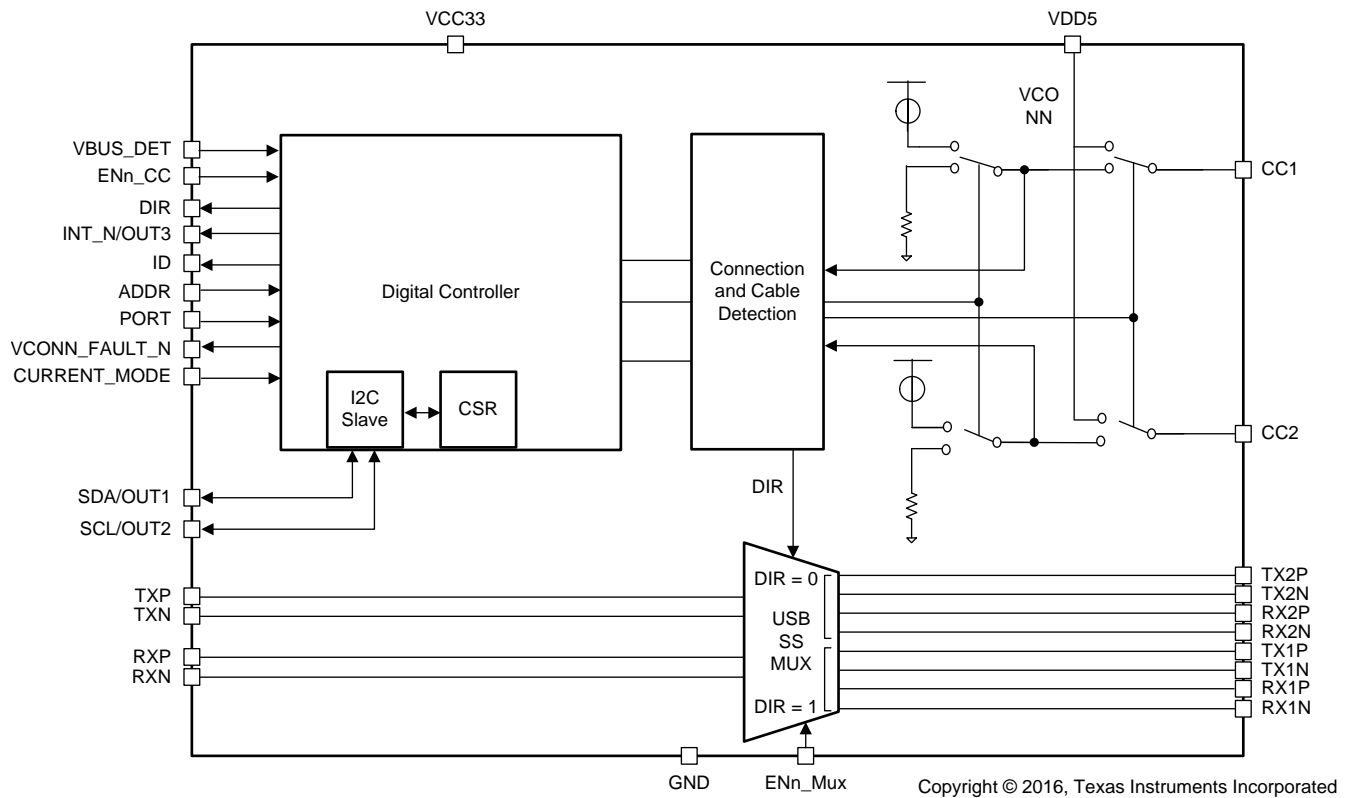
- Passive Audio Adapter
- Charge Through Audio Adapter

**HD3SS3220**

SLLSES1C – DECEMBER 2015 – REVISED MAY 2017

www.ti.com

**7.2 Functional Block Diagram**



Copyright © 2016, Texas Instruments Incorporated

### 7.3 Feature Description

The HD3SS3220 can be configured as a DFP, UFP, or DRP using the 3-level PORT pin. The PORT pin should be strapped high to VDD5 using a pull-up resistance to achieve DFP mode, low to GND for UFP mode or left floating for DRP mode on the PCB. This flexibility allows the HD3SS3220 to be used in a variety of applications. The HD3SS3220 samples the PORT pin after reset and maintains the desired mode until the HD3SS3220 is reset again. It shall be static. [Table 1](#) shows the supported features in each mode.

**Table 1. Supported Features for HD3SS3220 by Mode**

PORT PIN	High	Low	NC
Supported Features	DFP Only	UFP Only	DRP
Port Attach/Detach	√	√	√
Cable Orientation	√	√	√
Current Advertisement	√		√(DFP)
Current Detection		√	√(UFP)
Audio Accessory	√	√	√
Debug Accessory Modes	√	√	√
Active Cable Detection	√		√(DFP)
Try.SRC			√
Try.SNK			√
I2C/GPIO	√	√	√
Legacy Cables	√	√	√
VBUS Detection		√	√(UFP)
VCONN	√		√(DFP)
USB 3.1 G1 and G2 SS mux	√	√	√
Adaptive common mode tracking for SS channels	√	√	√

#### 7.3.1 DFP/Source – Downstream Facing Port

The HD3SS3220 can be configured as a DFP only by pulling the PORT pin high through a resistance to VDD. The HD3SS3220 device can also be configured as a DFP-only device by changing the MODE\_SELECT register default setting with PORT pin left floating. In DFP mode, the HD3SS3220 constantly presents  $R_{(p)}$  on both CC lines. In this mode, the HD3SS3220 will initially advertise default USB Type-C current. The Type-C current can be adjusted through CURRENT\_MODE pin or I<sup>2</sup>C if the system wishes to increase the current advertisement. The HD3SS3220 will adjust the  $R_{(p)}$  resistors to match the desired advertisement.

A DFP monitors the voltage level on the CC pins looking for the  $R_{(d)}$  termination of a UFP. When a UFP is detected and HD3SS3220 is in the attached. SRC state, the HD3SS3220 pulls the ID pin low to indicate to the system the port is attached to a device (UFP). Additionally, when a UFP is detected, the HD3SS3220 supplies VCONN on the unconnected CC pin if  $R_{(a)}$  is also detected.

The following list describes the steps for enabling DFP through I<sup>2</sup>C:

1. Write a 1'b1 to DISABLE\_TERM register (address 0x0A bit 0)
2. Write a 2'b10 to MODE\_SELECT register (address 0x0A bits 5:4)
3. Write a 1'b0 to DISABLE\_TERM register (address 0x0A bit 0)

When configured as a DFP, the HD3SS3220 can operate with older USB Type-C 1.0 devices except for a USB Type-C 1.0 DRP device. The HD3SS3220 cannot operate with a USB Type-C 1.0 DRP device. This limitation is a result of a backwards compatibility problem between USB Type-C 1.1 DFP and a USB Type-C 1.0 DRP.

#### 7.3.2 UFP/Sink – Upstream Facing Port

The HD3SS3220 can be configured as a UFP only by pulling the PORT pin low to GND. In UFP mode, the HD3SS3220 constantly presents  $R_d$  (pull-down resistors) on both CC pins.

In UFP mode, the HD3SS3220 monitors the voltage level at the CC pins for attachment of a DFP and also to determine Type-C current advertisement by the connected DFP. The HD3SS3220 will debounce the CC pins and wait for VBUS detection before successful attachment. As a UFP, the HD3SS3220 will detect and communicate the DFP's advertised current level to the system through the OUT1 and OUT2 pins if in GPIO mode or through the I2C CURRENT\_MODE\_DETECT register once in the Attached.SNK state.

The following list describes the steps for enabling DFP through I<sup>2</sup>C:

1. Write a 1'b1 to DISABLE\_TERM register (address 0x0A bit 0)
2. Write a 2'b10 to MODE\_SELECT register (address 0x0A bits 5:4)
3. Write a 1'b0 to DISABLE\_TERM register (address 0x0A bit 0)

### 7.3.3 DRP – Dual Role Port

The HD3SS3220 can be configured to operate as DRP when the PORT pin is left floating on the PCB. In DRP mode, the HD3SS3220 toggles between presenting as a DFP (Rp on both CC pins) and presenting as a UFP (Rd on both CC pins according to USB Type-C specification).

When presenting as a DFP, the HD3SS3220 monitors the voltage level on the CC pins looking for the R<sub>(d)</sub> termination of a UFP. When a UFP is detected and HD3SS3220 is in the attached.SRC state, the HD3SS3220 pulls the ID pin low to indicate to the system the port is attached to a sink (UFP). Additionally, when a UFP is detected, the HD3SS3220 supplies VCONN on the unconnected CC pin if Ra is also detected. In DFP mode, the HD3SS3220 will initially advertise default USB Type-C current. The Type-C current can be adjusted through I<sup>2</sup>C if the system wishes to increase the amount advertised. HD3SS3220 will adjust the R<sub>(p)</sub> resistors to match the desired Type-C current advertisement.

When presenting as a UFP, the HD3SS3220 monitors the CC pins for the voltage level corresponding to the Type-C current advertisement by the connected DFP. The HD3SS3220 will debounce the CC pins and wait for VBUS detection before successfully attaching. As a UFP, the HD3SS3220 detects and communicate the DFP advertised current level to the system through the OUT1 and OUT2 pins if in GPIO mode or through the I2C CURRENT\_MODE\_DETECT register once in the attached.SNK state.

The HD3SS3220 supports two optional Type-C DRP features called Try.SRC and Try.SNK. Products supporting dual-role functionality may have a requirement to be a source (DFP) or a sink (UFP) when connected to another dual-role capable product. For example, a dual-role capable notebook can be used as a source when connected to a tablet, or a cell phone could be a sink when connected to a notebook or tablet. When standard DRP products (products which don't support either Try.SRC or Try.SNK) are connected together, the role (UFP or DFP) outcome is not predetermined. These two optional DRP features provide a means for dual-role capable products to connect to another dual-role capable product in the role desired. Try.SRC and Try.SNK are only available when HD3SS3220 is configured in I<sup>2</sup>C mode. When operating in GPIO mode, the HD3SS3220 will always operate as a standard DRP.

The Try.SRC feature of the HD3SS3220 device provides a means for a DRP product to connect as a DFP when connected to another DRP product that doesn't implement Try.SRC. When two products which implement Try.SRC are connected together, the role outcome of either UFP or DFP is the same as a standard DRP. Try.SRC is enabled by changing I<sup>2</sup>C register SOURCE\_PREF to 2'b11. Once the register is changed to 2'b11, the HD3SS3220 will always attempt to connect as a DFP when attached to another DRP capable device.

### 7.3.4 Cable Orientation and Mux Control

The HD3SS3220 detects the cable orientation by monitoring the voltage on the CC pins. When a voltage level within the proper threshold is detected on CC1, the DIR pin is pulled low. When a voltage level within the proper threshold is detected on CC2, the DIR is high. The DIR pin is an open drain output and a pull-up resistor must be installed. The cable orientation status is also be communicated by I<sup>2</sup>C for HD3SS3220. The device also controls the integrated SS mux to switch appropriate SS signals pairs (RX1/TX1 or RX2/TX2).

### 7.3.5 Type-C Current Mode

Once a valid cable detection and attach have been completed, the DFP has the option to advertise the level of Type-C current a UFP can sink. The default current advertisement for HD3SS3220 can be configured using CURRENT\_MODE pin or I2C CURRENT\_MODE\_ADVERTISE register. When a different than default current is chosen, the device adjusts the R<sub>(p)</sub> resistors for the specified current level.

**Table 2. Type-C Current Advertisement for GPIO and I<sup>2</sup>C Modes**

Type-C Current	GPIO Mode (ADDR pin NC)		I <sup>2</sup> C Mode (ADDR pin H, L)	
	UFP (PORT pin L)	DFP (PORT pin H)	UFP	DFP
Default – 500mA for (USB2.0) 900 mA for (USB3.1)	Detected current mode provided through OUT1/OUT2	CURRENT_MODE=L	Detected current mode provided through I <sup>2</sup> C register	Advertisement selected through writing I <sup>2</sup> C register
Mid – 1.5 A		CURRENT_MODE=M		
High – 3 A		CURRENT_MODE=H		

### 7.3.6 Accessory Support

HD3SS3220 supports audio and debug accessories in UFP, DFP and DRP mode. Audio and debug accessory support is provided through reading of I2C registers. Audio accessory is also support through GPIO mode with INT\_N/OUT3 pin (audio accessory has been detected when INT\_N/OUT3 is low).

### 7.3.7 Audio Accessory

Audio accessory mode is supported through two types of adapters. First, the passive audio adapter can be used to convert the Type-C connector into an audio port. In order to effectively detect the passive audio adapter, the HD3SS3220 must detect a resistance  $< R_{(a)}$  on both the CC pins.

Secondly, a charge through audio adapter can be used. The primary difference between a passive and charge through adapter is that the charge through adapter supports supplying 500 mA of current over VBUS. The charge through adapter contains a receptacle and a plug. The plug shall act as a DFP and supply VBUS when it sees it's connected.

When HD3SS3220 is configured in GPIO mode, OUT3 pin shall be used to determine if an Audio Accessory is connected. When an Audio Accessory is detected, the OUT3 pin is pulled low.

### 7.3.8 Debug Accessory

Debug is an additional state supported by USB Type-C. The specification does not define a specific user scenario for this state, but the end user could use debug accessory mode to enter a test state for production specific to the application. Charge through debug accessory is not supported by HD3SS3220 when in DRP or UFP mode. The HD3SS3220 when configured as a DFP-only or as a DRP acting as a DFP detects a debug accessory which presents  $R_{(d)}$  on both CC1 and CC2 pins. The HD3SS3220 sets ACCESSORY\_CONNECTED register to 3'b110 to indicate a UFP debug accessory. The HD3SS3220 when configured as a UFP-only or as a DRP acting as a UFP detects a debug accessory which presents  $R_{(p)}$  on both CC1 and CC2 pins. The HD3SS3220 sets ACCESSORY\_CONNECTED register to 3b'111 to indicate a DFP debug accessory.

### 7.3.9 VCONN support for Active Cables

The HD3SS3220 supplies VCONN to active cables when configured in DFP mode or DRP acting as a DFP. VCONN is provided only when it is determined that the unconnected CC pin is terminated to a resistance,  $R_{(a)}$ , and after a UFP is detected and the attached. SRC state is entered. VCONN is supplied from VDD5 through a low resistance power FET out to the unconnected CC pin. VCONN is removed when a detach event is detected and the active cable is removed.

HD3SS3220 provides a current limiting function which will disconnect VCONN when the current being drawn from a device is above the max allowed for VCONN. When a VCONN fault has occurred, the VCONN flag in the I<sup>2</sup>C register is set and HD3SS3220 stops supplying VCONN (switch turns off), until the register flag has been cleared. If HD3SS3220 is in GPIO mode when a fault occurs, the VCONN switch is turned off and HD3SS3220 will not supply VCONN until a port detach and re-attach occurs.

### 7.3.10 I<sup>2</sup>C and GPIO Control

The HD3SS3220 can be configured for I<sup>2</sup>C or GPIO using the ADDR pin. The ADDR pin is a 3-level control pin. When the ADDR pin is left floating (NC), the HD3SS3220 is in GPIO mode. When the ADDR pin is pulled High, the HD3SS3220 is in I<sup>2</sup>C mode with address bit 6 equal to 1. When the ADDR pin is pulled low, the HD3SS3220 is in I<sup>2</sup>C mode with address bit 6 equal to 0.

All outputs for HD3SS3220 are open drain configuration.

The OUT1 and OUT2 pins are used to output the Type-C current mode when in GPIO mode. Additionally, the OUT3 pin is used to communicate the Audio Accessory mode in GPIO mode. The specifics of the output pins can be found in [Table 3](#).

**Table 3. Simplified Operation for OUT1 and OUT2**

OUT1	OUT2	ADVERTISEMENT
H	H	Default
H	L	Default
L	H	Medium
L	L	High

When operating in I<sup>2</sup>C mode, HD3SS3220 uses the SCL and SDA lines for clock and data and the INT pin. The INT pin communicates an interrupt, or a change in I<sup>2</sup>C registers, to the system. The INT pin will be pulled low when the HD3SS3220 updates the registers with new information. The INT\_N pin is open drain. The INTERRUPT\_STATUS register should be set when the INT pin is pulled low. The customer shall write to I<sup>2</sup>C to clear the INTERRUPT\_STATUS register.

When operating in GPIO mode, the OUT3 pin is used in place of INT pin to determine if an Audio Accessory has been detected and attached. The OUT3 pin is pulled low when an Audio Accessory is detected.

**NOTE**

When using the 3.3-V supply for I<sup>2</sup>C pull-up, the customer must ensure that the VDD is 3 V and above. Otherwise, the I<sup>2</sup>C may back power the device.

### 7.3.11 HD3SS3220 V<sub>(BUS)</sub> Detection

The HD3SS3220 device supports VBUS detection according to the Type-C Specification. VBUS detection is used to determine the attachment and detachment of a UFP and to determine the entering and exiting of accessory modes. VBUS detection is also used to successfully resolve the role in DRP mode. The system VBUS voltage must be routed through a 900-kΩ resistor to the VBUS\_DET pin on the HD3SS3220 device.

## 7.4 Device Functional Modes

The HD3SS3220 has four functional modes. [Table 4](#) lists these modes:

**Table 4. USB Type-C States according to HD3SS3220 Functional Modes**

MODES	GENERAL BEHAVIOR	MODE	STATES <sup>(1)</sup>
Unattached	USB port unattached. ID, PORT operational. I <sup>2</sup> C on.	UFP-Only	Unattached.SNK
			AttachWait.SNK
		DFP	Toggle Unattached.SNK → Unattached.SRC
			AttachedWait.SRC or AttachedWait.SNK
		DFP-Only	Unattached.SRC
			AttachWait.SRC
Active	USB port attached. All GPIOs operational. I <sup>2</sup> C on.	UFP-Only	Attached.SNK
			Audio Accessory
			Debug Accessory
		DRP	Attached.SNK
			Attached.SRC
			Audio accessory
			Debug accessory
		DFP-Only	Attached.SRC
			Audio accessory
			Attached.SRC
			Audio accessory
			Debug accessory

(1) (1) Required; not in sequential order

## Device Functional Modes (continued)

**Table 4. USB Type-C States according to HD3SS3220 Functional Modes (continued)**

MODES	GENERAL BEHAVIOR	MODE	STATES <sup>(1)</sup>
Dead battery	No operation. VDD5 not available.	DRP	Default device state to UFP/SNK with $R_{(d)}$ .
Shutdown	No operation. VDD5 available and EN <sub>N</sub> _CC pin is high	DRP	Default device state to UFP/SNK with $R_{(d)}$ .

### 7.4.1 Unattached Mode

Unattached mode is the primary mode of operation for the HD3SS3220 since a USB port can be unattached for a lengthy period of time. In Unattached mode, VDD5 is available, and all IOs and I<sup>2</sup>C are operational. VCONN is disabled.

After HD3SS3220 are powered up, the part enters unattached mode until a successful attach has been determined. Initially, right after power up, the HD3SS3220 comes up as an unattached.SNK. The HD3SS3220 checks the PORT pin and operate according to the mode configuration. This means that the HD3SS3220 toggle between UFP and DFP if configured as a DRP

### 7.4.2 Active Mode

Active mode is defined as the port being attached. In active mode, all GPIOs are operational, and I<sup>2</sup>C is read / write (R/W). When in active mode, the HD3SS3220 device communicates to the AP that the USB port is attached. This communication happens through the ID pin if HD3SS3220 is configured as a DFP or DRP connect as source. If HD3SS3220 is configured as a UFP or a DRP connected as a sink, the OUT1/OUT2 and INT\_N/OUT3 pins are used. The HD3SS3220 device exits active mode under the following conditions:

- Cable unplug
- VBUS removal if attached as a UFP
- Dead battery; system battery or supply is removed
- EN\_N is floated or pulled high

### 7.4.3 Dead Battery

During Dead battery mode VDD5 is not available. CC pins always default to pull down resistors in dead battery mode. Dead battery mode to means:

- HD3SS3220 in UFP with  $5.1\text{ k}\Omega \pm 20\% R_{(d)}$ ; cable connected and providing charge.
- HD3SS3220 in UFP with  $5.1\text{ k}\Omega \pm 20\% R_{(d)}$ ; nothing connected (application could be off or have a discharged battery)

#### NOTE

When VDD5 is off, the HD3SS3220 non-failsafe pins (DIR, VBUS\_DET, ADDR, OUT[3:1] pins) could back-drive the HD3SS3220 device if not handled properly. When necessary to pull these pins up, it is recommended to pullup DIR, ADDR, and INT\_N/OUT3 to the device's VDD5 supply. The VBUS\_DET must be pulled up to VBUS through a 900-k $\Omega$  resistor.

### 7.4.4 Shutdown Mode

Shutdown mode for HD3SS3220 is defined as follows:

- Supply voltage available and EN\_N pin is high or floating.
- EN\_N pin has internal pullup resistor
- The HD3SS3220 device is off, but still maintains the  $R_{(d)}$  on the CC pins.

## 7.5 Programming

For further programmability, the HD3SS3220 can be controlled using I<sup>2</sup>C. The HD3SS3220 local I<sup>2</sup>C interface is available for reading/writing after x clock cycles when the device is powered up. The SCL and SDA terminals are used for I<sup>2</sup>C clock and I<sup>2</sup>C data respectively. If I<sup>2</sup>C is the preferred method of control, the ADDR pin must be set accordingly.

**Table 5. HD3SS3220 I<sup>2</sup>C Target Address**

ADDR pin	Bit 7 (MSB)	Bit 6	Bit 5	Bit 4	Bit 3	Bit 2	Bit 1	Bit 0 (W/R)
H	1	1	0	0	1	1	1	0/1
L	1	0	0	0	1	1	1	0/1

The following procedure should be followed to write to HD3SS3220 I<sup>2</sup>C registers:

1. The master initiates a write operation by generating a start condition (S), followed by the HD3SS3220 7-bit address and a zero-value R/W bit to indicate a write cycle.
2. The HD3SS3220 device acknowledges the address cycle.
3. The master presents the sub-address (I<sup>2</sup>C register within the HD3SS3220 device) to be written, consisting of one byte of data, MSB-first.
4. The HD3SS3220 device acknowledges the sub-address cycle.
5. The master presents the first byte of data to be written to the I<sup>2</sup>C register.
6. The HD3SS3220 device acknowledges the byte transfer.
7. The master can continue presenting additional bytes of data to be written, with each byte transfer completing with an acknowledge from the HD3SS3220 device.
8. The master terminates the write operation by generating a stop condition (P).

The following procedure should be followed to read the HD3SS3220 I<sup>2</sup>C registers:

1. The master initiates a read operation by generating a start condition (S), followed by the HD3SS3220 7-bit address and a one-value R/W bit to indicate a read cycle.
2. The HD3SS3220 device acknowledges the address cycle.
3. The HD3SS3220 device transmits the contents of the memory registers MSB-first starting at register 00h or last read sub-address+1. If a write to the I<sup>2</sup>C register occurred prior to the read, then the HD3SS3220 device starts at the sub-address specified in the write.
4. The HD3SS3220 device waits for either an acknowledge (ACK) or a not-acknowledge (NACK) from the master after each byte transfer; the I<sup>2</sup>C master acknowledges reception of each data byte transfer.
5. If an ACK is received, the HD3SS3220 device transmits the next byte of data.
6. The master terminates the read operation by generating a stop condition (P).

The following procedure should be followed for setting a starting sub-address for I<sup>2</sup>C reads:

1. The master initiates a write operation by generating a start condition (S), followed by the HD3SS3220 7-bit address and a zero-value R/W bit to indicate a read cycle.
2. The HD3SS3220 device acknowledges the address cycle.
3. The master presents the sub-address (I<sup>2</sup>C register within the HD3SS3220 device) to be read, consisting of one byte of data, MSB-first.
4. The HD3SS3220 device acknowledges the sub-address cycle.
5. The master terminates the read operation by generating a stop condition (P).

### NOTE

If no sub-addressing is included for the read procedure, then the reads start at register offset 00h and continue byte-by-byte through the registers until the I<sup>2</sup>C master terminates the read operation. If a I<sup>2</sup>C address write occurred prior to the read, then the reads start at the sub-address specified by the address write.

## 7.6 Register Maps

**Table 6. CSR Registers**

OFFSET	RESET	REGISTER NAME	SECTION
0x07 through 0x00	[0x00, 0x54, 0x55, 0x53, 0x42, 0x33, 0x32, 0x32]	Device Identification	Device Identification Register
0x08	0x00	Connection Status	Connection Status Register
0x09	0x20	Connection Status and Control	Connection Status and Control Register
0x0A	0x00	General Control	General Control Register
0xA0	0x02	Device Revision	Device Revision Register

### 7.6.1 Device Identification Register (offset = 0x07 through 0x00) [reset = 0x00, 0x54, 0x55, 0x53, 0x42, 0x33, 0x32, 0x32]

**Figure 5. Device Identification Register**

7	6	5	4	3	2	1	0
DEVICE_ID							
R							

LEGEND: R/W = Read/Write; R = Read only; -n = value after reset

**Table 7. Device Identification Register Field Descriptions**

Bit	Field	Type	Reset	Description
7:0	DEVICE_ID	R	0x00	For the HD3SS3220 device these fields return a string of ASCII characters returning HD3SS3220 addresses: 0x07 - 0x00 = {0x00, 0x54, 0x55, 0x53, 0x42, 0x33, 0x32, 0x32}

**7.6.2 Connection Status Register (offset = 0x08) [reset = 0x00]**
**Figure 6. Connection Status Register**

7	6	5	4	3	2	1	0
CURRENT_MODE_ADVERTISE		CURRENT_MODE_DETECT		ACCESSORY_CONNECTED			ACTIVE_CABLE_DETECTION
R/W		R/U		R/U			R/U

LEGEND: R/W = Read/Write; R = Read only; -n = value after reset, R/U = Read/Update

**Table 8. Connection Status Register Field Descriptions**

Bit	Field	Type	Reset	Description
7:6	CURRENT_MODE_ADVERTISE	R/W	2'b00	These bits are programmed by the application to raise the current advertisement from Default. 00 – Default (500mA/900mA) Initial value at startup 01 – Mid (1.5A) 10 – High (3A) 11 – Reserved
5:4	CURRENT_MODE_DETECT	R/U	2'b00	These bits are set when a UFP determines the Type-C current mode. 00 – Default (value at start up) 01 – Medium 10 – Charge Through Accessory – 500mA 11 – High
3:1	ACCESSORY_CONNECTED	R/U	3'b000	These bits are read by the application to determine if an accessory was attached. 000 – No Accessory attached (Default) 001 – Reserved 010 – Reserved 011 – Reserved 100 – Audio Accessory 101 – Charged Thru Audio Accessory 110 – Debug Accessory when HD3SS3220 is connected as a DFP 111 – Debug accessory when HD3SS3220 is connected as a UFP
0	ACTIVE_CABLE_DETECTION	R/U	1'b0	This flag indicates that an active cable has been plugged into the Type-C connector 0 – No active cable 1 – Active Cable Attach

**7.6.3 Connection Status and Control Register (offset = 0x09) [reset = 0x20]**
**Figure 7. Connection Status and Control Register**

7	6	5	4	3	2	1	0
ATTACHED_STATE	CABLE_DIR	INTERRUPT_STATUS	VCONN_FAULT	DRP_DUTY_CYCLE	DISABLE_UFP_ACCESSORY		
R/U	R/U	R/U	R/U	R/W	R/W		R/W

LEGEND: R/W = Read/Write; R = Read only; -n = value after reset, R/U = Read/Update

**Table 9. Connection Status Register Field Descriptions**

Bit	Field	Type	Reset	Description
7:6	ATTACHED_STATE	R/U	2'b00	This is an additional method to communicate attach other than the ID pin. These bits can be read by the application to determine what was attached. 00 – Not Attached (Default) 01 – Attached.SRC (DFP) 10 – Attached.SNK (UFP) 11 – Attached to an Accessory
5	CABLE_DIR	R/U	1'b0	Cable orientation. The application can read these bits for cable orientation information. 0 – CC2 1 – CC1 (Default)
4	INTERRUPT_STATUS	R/U	1'b0	The INT pin will be pulled low whenever a CSR changes. When a CSR change has occurred this bit should be held at 1 until the application clears the bit. 0 – Clear 1 – Interrupt (When INT pulled low, this bit must be 1. This bit will be 1 whenever any CSR have been changed)
3	VCONN_FAULT	R/U	1'b0	Bit is set whenever VCONN overcurrent limit is triggered. 0 – Clear 1 – VCONN fault is detected
2:1	DRP_DUTY_CYCLE	R/W	2'b00	Percentage of time that a DRP shall advertise DFP during $t_{DRP}$ 00 – 30% default 01 – 40% 10 – 50% 11 – 60%
0	DISABLE_UFP_ACCESSORY	R/W	1'b0	Setting this field will disable UFP accessory support 0 – UFP accessory support enabled (Default) 1 – UFP accessory support disabled

**7.6.4 General Control Register (offset = 0x0A) [reset = 0x00]**
**Figure 8. General Control Register**

7	6	5	4	3	2	1	0
DEBOUNCE		MODE_SELECT		I2C_SOFT_RESET	SOURCE_PREF		DISABLE_TERM
R/W		R/W		R/U	R/W		R/W

LEGEND: R/W = Read/Write; R = Read only; -n = value after reset

**Table 10. General Control Register Field Descriptions**

Bit	Field	Type	Reset	Description
7:6	DEBOUNCE	R/W	2'b00	The nominal amount of time the HD3SS3220 debounces the voltages on the CC pins. 00 – 168 ms (Default) 01 – 118 ms 10 – 134 ms 11 – 152 ms
5:4	MODE_SELECT	R/W	2'b00	This register can be written to set the HD3SS3220 mode operation. The ADDR pin must be set to I <sup>2</sup> C mode. If the default is maintained, HD3SS3220 shall operate according to the PORT pin levels and modes. The MODE_SELECT can only be changed when in the unattached state. 00 – DRP mode (start from unattached.SNK) (default) 01 – UFP mode (unattached.SNK) 10 – DFP mode (unattached.SRC) 11 – DRP mode (start from unattached.SNK)
3	I2C_SOFT_RESET	R/U	1'b0	This register resets the digital logic. The bit is self-clearing. A write of 1 starts the reset. The following registers can be affected after setting this bit: CURRENT_MODE_DETECT ACTIVE_CABLE_DETECTION ACCESSORY_CONNECTED ATTACHED_STATE CABLE_DIR
2:1	SOURCE_PREF	R/W	2'b00	This field controls the TUSB3221 behavior when configured as a DRP. 00 – Standard DRP (default) 01 – DRP performs Try.SNK 10 – Reserved 11 – DRP performs Try.SRC
0	DISABLE_TERM	R/W	1'b0	This field disables the termination on CC pins and transition the CC state machine to the disabled state. 0 – Termination enabled according TUSB3221 mode of operation (default) 1 – Termination disabled and state machine held in disable state

**7.6.5 Device Revision Register (offset = 0xA0) [reset = 0x02]**
**Figure 9. Device Revision Register**

7	6	5	4	3	2	1	0
REVISION							
R							

LEGEND: R/W = Read/Write; R = Read only; -n = value after reset

**Table 11. Device Revision Register Field Descriptions**

Bit	Field	Type	Reset	Description
7:0	REVISION	R	'h02	Revision of HD3SS3220. Defaults to 0x02

## 8 Application and Implementation

---

### NOTE

Information in the following applications sections is not part of the TI component specification, and TI does not warrant its accuracy or completeness. TI's customers are responsible for determining suitability of components for their purposes. Customers should validate and test their design implementation to confirm system functionality.

---

### 8.1 Application Information

HD3SS3220 can be used to design USB Type-C systems implementing DRP, DFP and UFP port for applications requiring USB SuperSpeed or SuperSpeedPlus. The device supports native USB-C power handshake for power negotiation up to 15 W. HD3SS3220 can advertise 900 mA, 1.5 A and 3 A current capability as DFP (provider) and detect these settings as UFP (consumer).

Use of I<sup>2</sup>C is optional but strongly encouraged and provides additional control of the device and status of the USB-C interface resulting robust and flexible system implementation. A constant I<sup>2</sup>C polling is not required and device provides an interrupt signal for servicing microprocessor.

HD3SS3220 mux channels have independent adaptive common mode tracking allowing RX and TX paths to have different common mode voltage simplifying system implementation and avoiding inter-op issues.

Layout for SS signals to USB-C connector needs to be adjusted based on receptacle type.

---

### NOTE

HD3SS3220 mux does not provide common mode biasing for the channel. Therefore it is required that the device is biased from either side for all active channels. Also note that mux channels are for differential SS signals only.

If power support larger than 15W is required USBPD function is needed and not supported by this device. If split data/power role is desired such as USB host but power consumer or USB device but power provider, an USBPD function is needed as well.

---



## Typical Application, DRP Port (continued)

### 8.2.1 Design Requirements

For this design example, use the parameters shown in [Table 12](#).

**Table 12. Design Parameters, DRP Port**

PARAMETER	EXAMPLE	COMMENTS
VDD5	5.25 V	VDD5 is used to provide VCONN power to CC pins. Value of this supply should be $\geq 5$ V to keep VCONN $\geq 4.75$ V.
System_VBUS	5.25 V	VDD5 and System_VBUS can be shorted together; however careful consideration is needed to maintain desired VBUS and VCONN for the Type-C port.
I <sup>2</sup> C I/O Supply	3.3 V	1.8 V is also an option. When using the 3.3-V supply, the customer must ensure that the VDD is 3 V and above. Otherwise the I <sup>2</sup> C may back power the device
VCC33	3.3 V	3-3.6 V range allowed.
AC Coupling Capacitors for SS signals	100 nF	75-200 nF range allowed. For TX pairs only, RX pairs will be biased by host Receiver. Note that HD3SS3220 requires a common mode biasing of 0-2 V. If host receiver has bias voltage outside this range, appropriate additional ac coupling caps and biasing of HD3SS3220 RX pairs needed.
Pull-up Resistors: DIR, ID, INT_N, VCONN_FAULT_N	200 K	Smaller values can be used, but leakage needs to be considered for device power budget calculations.
Pull-up Resistors: I <sup>2</sup> C	4.7 K	
Pull-up Resistors: CURRENT_MODE	10 K	Example here is for 3 A. If 1.5 A or 900 mA needed different values are required.
Series resistor: VBUS_DET	900 K	
Decoupling Capacitors: VCONN Bulk	100 $\mu$ F	
Decoupling Capacitors: VBUS Bulk	150 $\mu$ F	As indicated in schematic needs to be switched out when in UFP.

### 8.2.2 Detailed Design Procedure

HD3SS3220 can be used to design a USB Type-C DRP Port. In DRP mode the device alternate itself as DFP and UFP according to USB-C specifications. An example schematic for DRP implementation is illustrated in [Figure 10](#).

### 8.2.3 Typical Application, DFP Port

HD3SS3220 can be used to design a USB Type-C DFP Port. An example schematic for DFP implementation is illustrated in Figure 11.

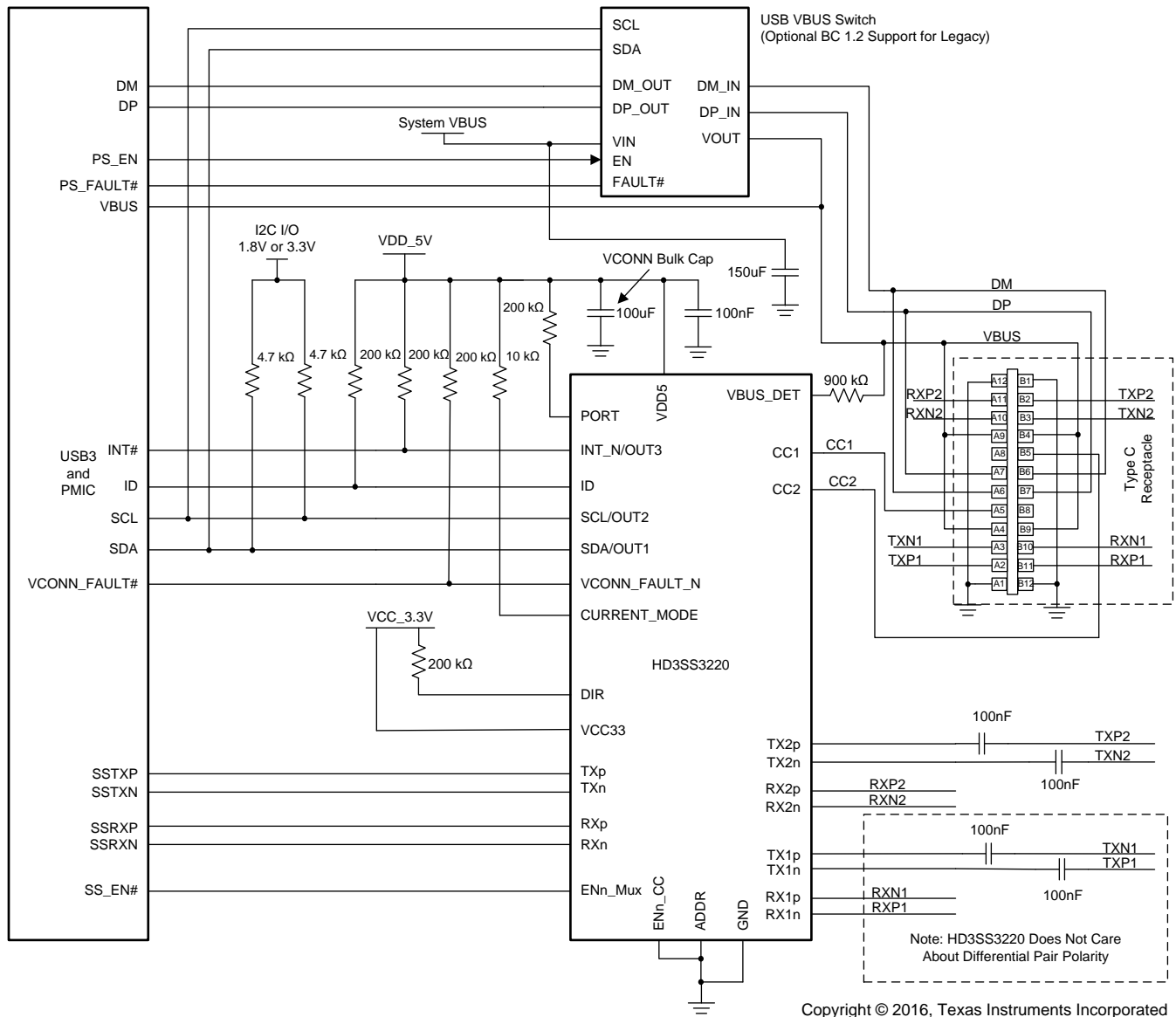


Figure 11. DFP Application Using HD3SS3220DFP

### 8.2.3.1 Design Requirements

For this design example, use the parameters shown in [Table 13](#).

**Table 13. Design Parameters, DFP Port**

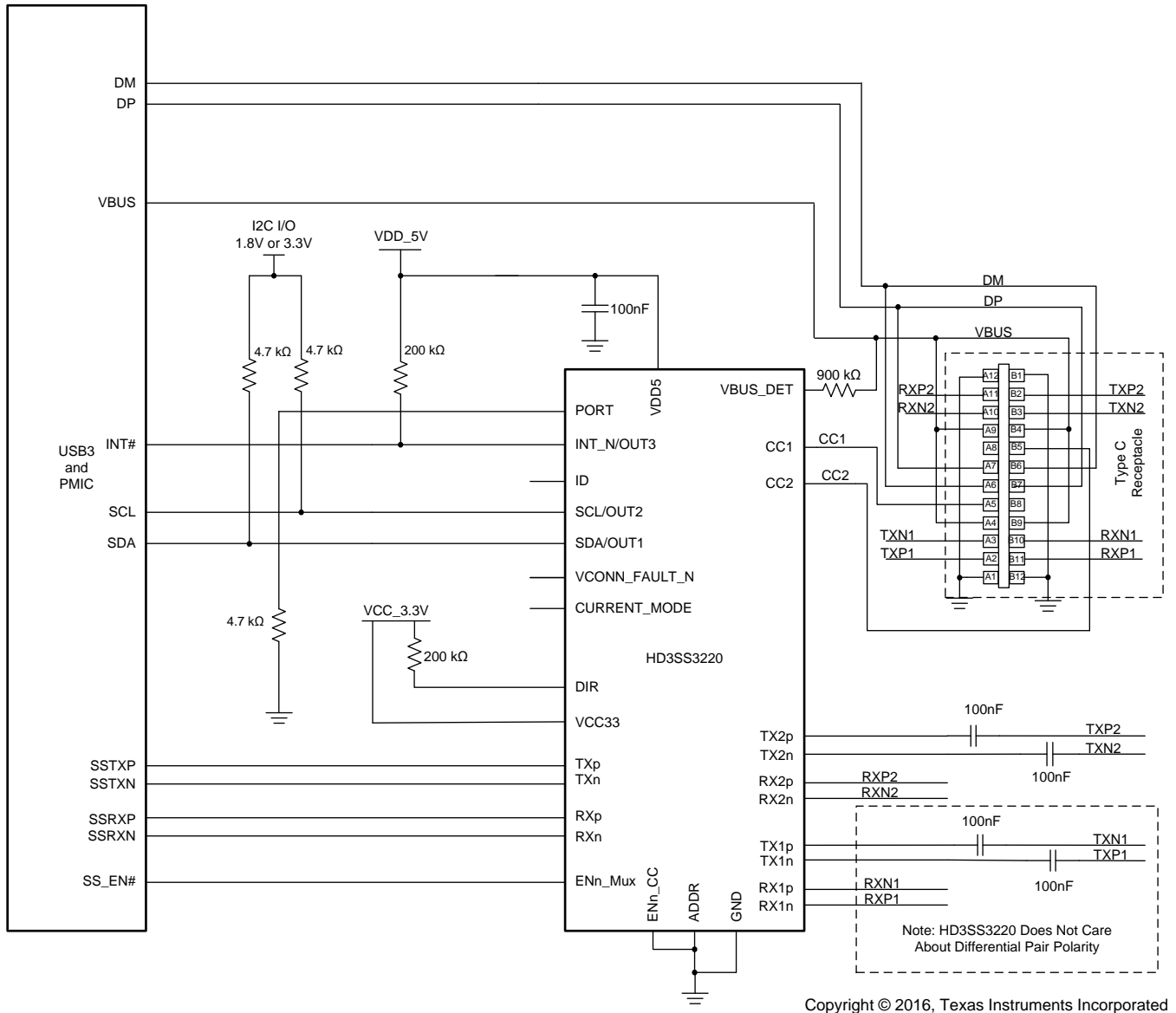
PARAMETER	EXAMPLE	COMMENTS
VDD5	5.25 V	VDD5 is used to provide VCONN power to CC pins. Value of this supply should be $\geq 5$ V to keep VCONN $\geq 4.75$ V.
System_VBUS	5.25 V	VDD5 and System_VBUS can be shorted together; however careful consideration is needed to maintain desired VBUS and VCONN for the Type-C port.
I <sup>2</sup> C I/O Supply	3.3 V	1.8 V is also an option. When using the 3.3-V supply, the customer must ensure that the VDD is 3 V and above. Otherwise the I <sup>2</sup> C may back power the device
VCC33	3.3 V	3-3.6 V range allowed.
AC Coupling Capacitors for SS signals	100 nF	75-200 nF range allowed. For TX pairs only, RX pairs will be biased by host Receiver. Note that HD3SS3220 requires a common mode biasing of 0-2 V. If host receiver has bias voltage outside this range, appropriate additional ac coupling caps and biasing of HD3SS3220 RX pairs needed.
Pull-up Resistors: DIR, ID, INT_N, VCONN_FAULT_N	200 K	Smaller values can be used, but leakage needs to be considered for device power budget calculations.
Pull-up Resistors: I <sup>2</sup> C	4.7 K	
Pull-up Resistors: CURRENT_MODE	10 K	Example here is for 3 A. If 1.5 A or 900 mA needed different values are required.
Decoupling Capacitors: VCONN Bulk	100 $\mu$ F	
Decoupling Capacitors: VBUS Bulk	150 $\mu$ F	

### 8.2.3.2 Detailed Design Procedure

HD3SS3220 can be used to design a USB Type-C DFP Port. An example schematic for DFP implementation is illustrated in [Figure 11](#).

### 8.2.4 Typical Application, UFP Port

HD3SS3220 can be used to design a USB Type-C UFP Port. An example schematic for UFP implementation is illustrated in Figure 12.



Copyright © 2016, Texas Instruments Incorporated

Figure 12. UFP Application Using HD3SS3220DFP

### 8.2.4.1 Design Requirements

For this design example, use the parameters shown in [Table 14](#).

**Table 14. Design Parameters, UFP Port**

PARAMETER	EXAMPLE	COMMENTS
VDD5	5 V	VBUS from Type-C port can be used.
I <sup>2</sup> C I/O Supply	3.3 V	1.8 V is also an option. When using the 3.3-V supply, the customer must ensure that the VDD is 3 V and above. Otherwise the I <sup>2</sup> C may back power the device
VCC33	3.3 V	3-3.6 V range allowed.
AC Coupling Capacitors for SS signals	100 nF	75-200 nF range allowed. For TX pairs only, RX pairs will be biased by host Receiver. Note that HD3SS3220 requires a common mode biasing of 0-2 V. If host receiver has bias voltage outside this range, appropriate additional ac coupling caps and biasing of HD3SS3220 RX pairs needed.
Pull-up Resistors: DIR, INT_N	200 K	Smaller values can be used, but leakage needs to be considered for device power budget calculations.
Pull-up Resistors: I <sup>2</sup> C	4.7 K	
Series resistor: VBUS_DET	900 K	

### 8.2.4.2 Detailed Design Procedure

HD3SS3220 can be used to design a USB Type-C DFP Port. An example schematic for UFP implementation is illustrated in [Figure 12](#).

## 9 Power Supply Recommendations

HD3SS3220 has 4.5 to 5.5-V supply voltage requirement. The device can be powered from the same rail that provides power for  $V_{(BUS)}$ .

## 10 Layout

### 10.1 Layout Guidelines

#### 10.1.1 Suggested PCB Stackups

TI recommends a PCB of at least six layers. [Table 15](#) provides example PCB stackups.

**Table 15. Example PCB Stackups**

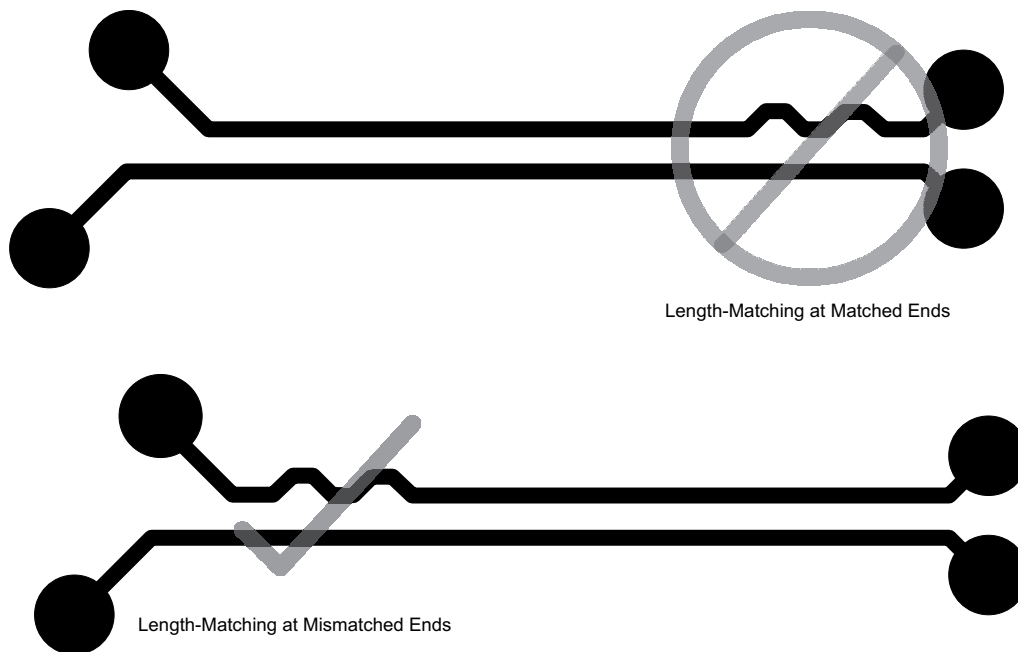
6-LAYER	8-LAYER	10-LAYER
SIGNAL	SIGNAL	SIGNAL
GROUND	GROUND	GROUND
SIGNAL <sup>(1)</sup>	SIGNAL	SIGNAL <sup>(1)</sup>
SIGNAL <sup>(1)</sup>	SIGNAL	SIGNAL <sup>(1)</sup>
POWER/GROUND <sup>(2)</sup>	POWER/GROUND <sup>(2)</sup>	POWER
SIGNAL	SIGNAL	POWER/GROUND <sup>(2)</sup>
	GROUND	SIGNAL <sup>(1)</sup>
	SIGNAL	SIGNAL <sup>(1)</sup>
		GROUND
		SIGNAL

(1) Route directly adjacent signal layers at a 90° offset to each other

(2) Plane may be split depending on specific board considerations. Ensure that traces on adjacent planes do not cross splits.

#### 10.1.2 High-Speed Signal Trace Length Matching

Match the etch lengths of the relevant differential pair traces of each interface. The etch length of the differential pair groups do not need to match (that is, the length of the transmit pair does not need to match the length of the receive pair). When matching the intrapair length of the high-speed signals, add serpentine routing to match the lengths as close to the mismatched ends as possible. See [Figure 13](#) for more details.



**Figure 13. Length Matching**

### 10.1.3 Differential Signal Spacing

To minimize crosstalk in high-speed interface implementations, the spacing between the signal pairs must be a minimum of 5 times the width of the trace. This spacing is referred to as the 5W rule. A PCB design with a calculated trace width of 6 mils requires a minimum of 30 mils spacing between high-speed differential pairs. Also, maintain a minimum keep-out area of 30 mils to any other signal throughout the length of the trace. Where the high-speed differential pairs abut a clock or a periodic signal, increase this keep-out to a minimum of 50 mils to ensure proper isolation. For examples of high-speed differential signal spacing, see [Figure 14](#) and [Figure 15](#).

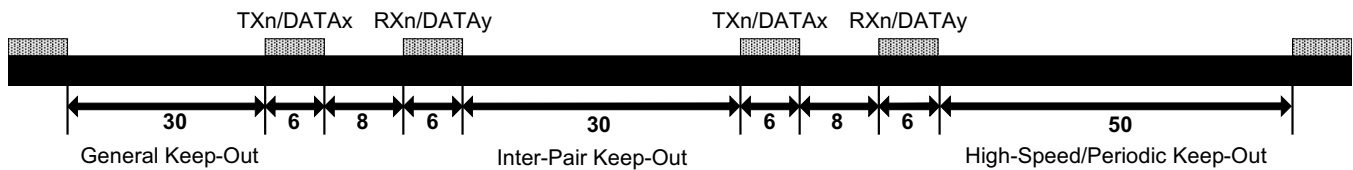


Figure 14. USB3/SATA/PCIe Differential Signal Spacing (mils)

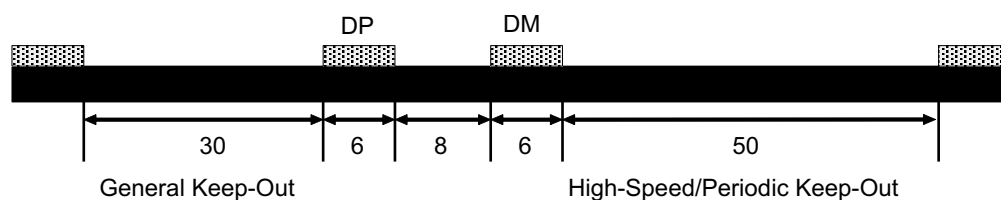


Figure 15. USB2 Differential Signal Spacing (mils)

### 10.1.4 High-Speed Differential Signal Rules

- Do not place probe or test points on any high-speed differential signal.
- Do not route high-speed traces under or near crystals, oscillators, clock signal generators, switching power regulators, mounting holes, magnetic devices, or ICs that use or duplicate clock signals.
- After BGA breakout, keep high-speed differential signals clear of the SoC because high current transients produced during internal state transitions can be difficult to filter out.
- When possible, route high-speed differential pair signals on the top or bottom layer of the PCB with an adjacent GND layer. TI does not recommend stripline routing of the high-speed differential signals.
- Ensure that high-speed differential signals are routed  $\geq 90$  mils from the edge of the reference plane.
- Ensure that high-speed differential signals are routed at least  $1.5W$  (calculated trace-width  $\times 1.5$ ) away from voids in the reference plane. This rule does not apply where SMD pads on high-speed differential signals are voided.
- Maintain constant trace width after the SoC BGA escape to avoid impedance mismatches in the transmission lines.
- Maximize differential pair-to-pair spacing when possible.

### 10.1.5 Symmetry in the Differential Pairs

Route all high-speed differential pairs together symmetrically and parallel to each other. Deviating from this requirement occurs naturally during package escape and when routing to connector pins. These deviations must be as short as possible and package break-out must occur within 0.25 inches of the package.

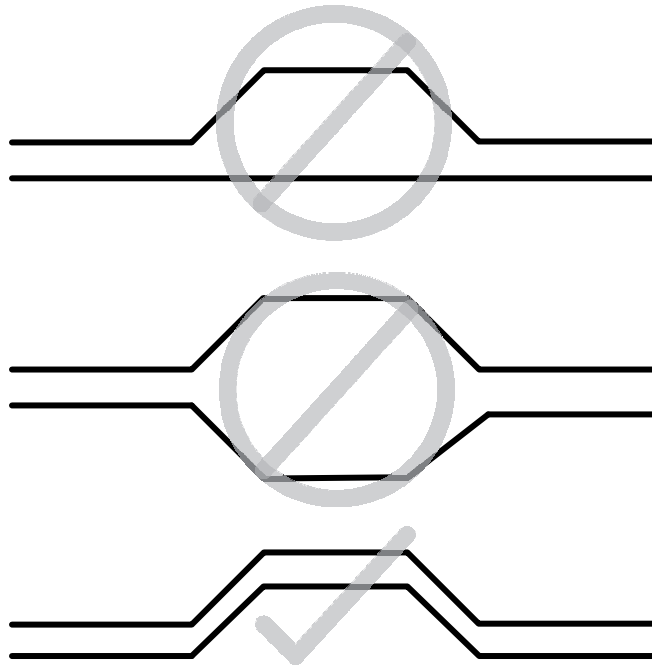


Figure 16. Differential Pair Symmetry

### 10.1.6 Via Discontinuity Mitigation

A via presents a short section of change in geometry to a trace and can appear as a capacitive and/or an inductive discontinuity. These discontinuities result in reflections and some degradation of a signal as it travels through the via. Reduce the overall via stub length to minimize the negative impacts of vias (and associated via stubs).

Because longer via stubs resonate at lower frequencies and increase insertion loss, keep these stubs as short as possible. In most cases, the stub portion of the via present significantly more signal degradation than the signal portion of the via. TI recommends keeping via stubs to less than 15 mils. Longer stubs must be back-drilled. For examples of short and long via lengths, see [Figure 17](#) and [Figure 18](#).

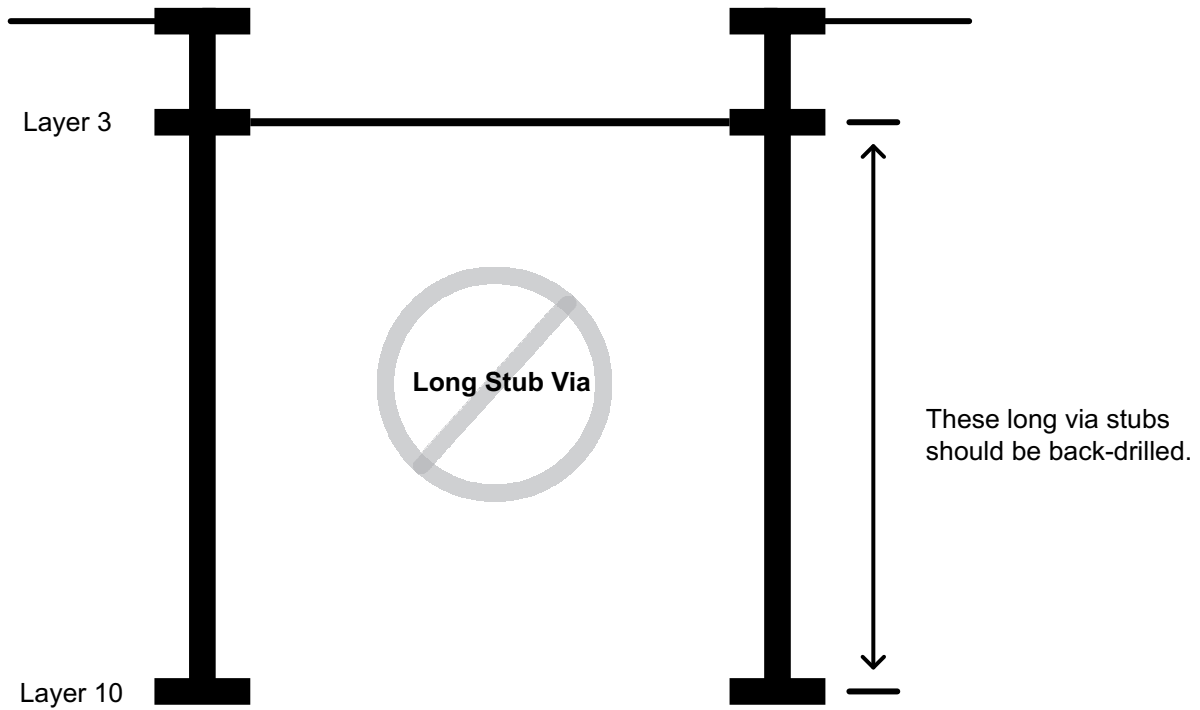


Figure 17. Via Length (Long Stub)

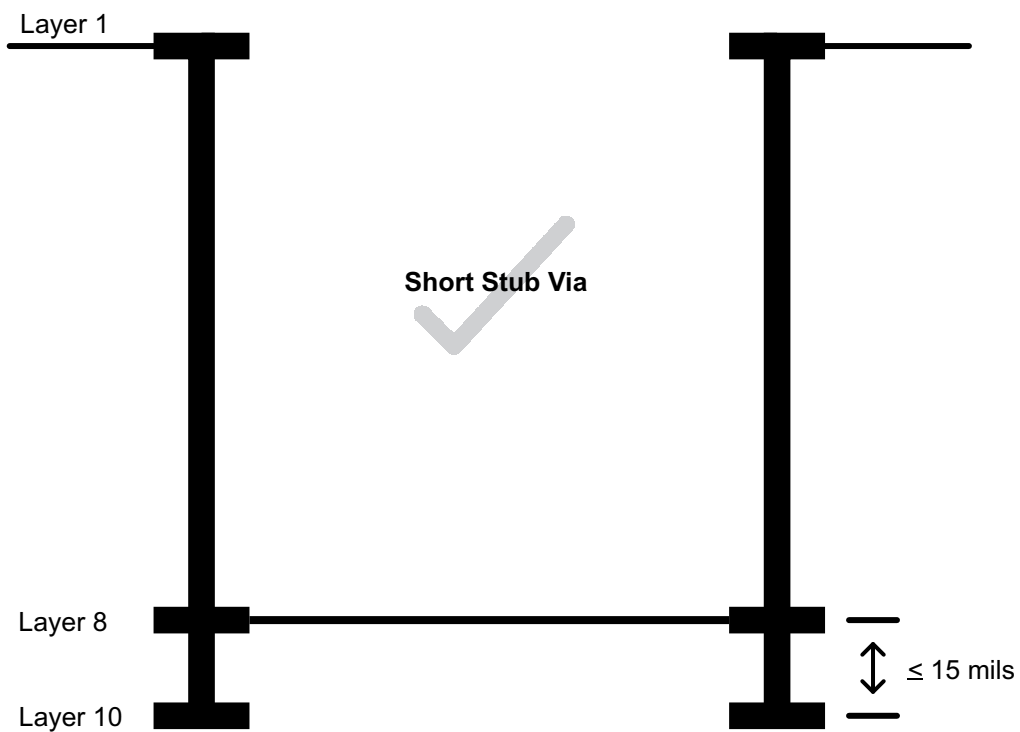
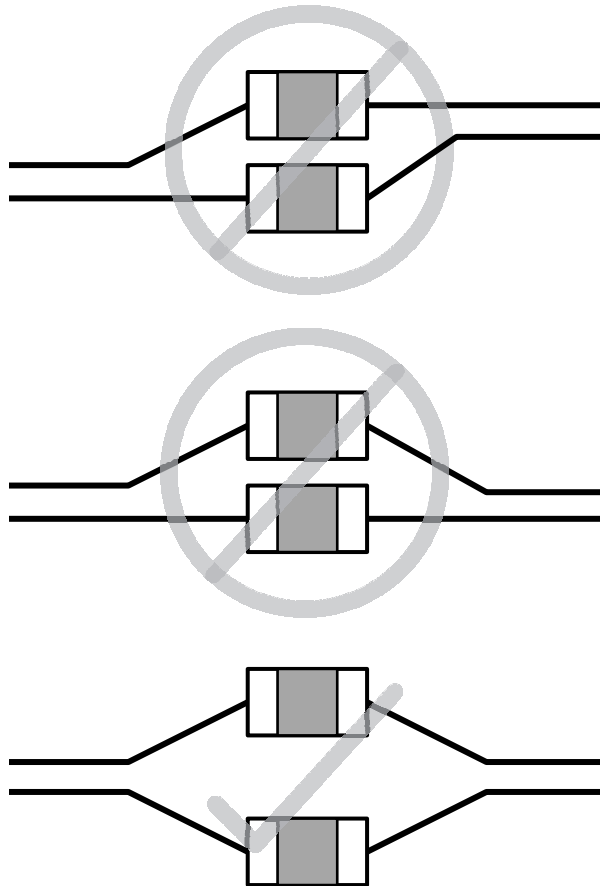


Figure 18. Via Length (Short Stub)

### 10.1.7 Surface-Mount Device Pad Discontinuity Mitigation

Avoid including surface-mount devices (SMDs) on high-speed signal traces because these devices introduce discontinuities that can negatively affect signal quality. When SMDs are required on the signal traces (for example, the USB SuperSpeed transmit AC coupling capacitors) the maximum permitted component size is 0603. TI strongly recommends using 0402 or smaller. Place these components symmetrically during the layout process to ensure optimum signal quality and to minimize reflection. For examples of correct and incorrect AC coupling capacitor placement, see [Figure 19](#).



**Figure 19. AC-Coupling Placement**

To minimize the discontinuities associated with the placement of these components on the differential signal traces, TI recommends partially voiding the SMD mounting pads of the reference plane by approximately 60% because this value strikes a balance between the capacitive effects of a 0% reference void and the inductive effects of a 100% reference void. This void should be at least two PCB layers deep. For an example of a reference plane voiding of surface mount devices, see [Figure 20](#).

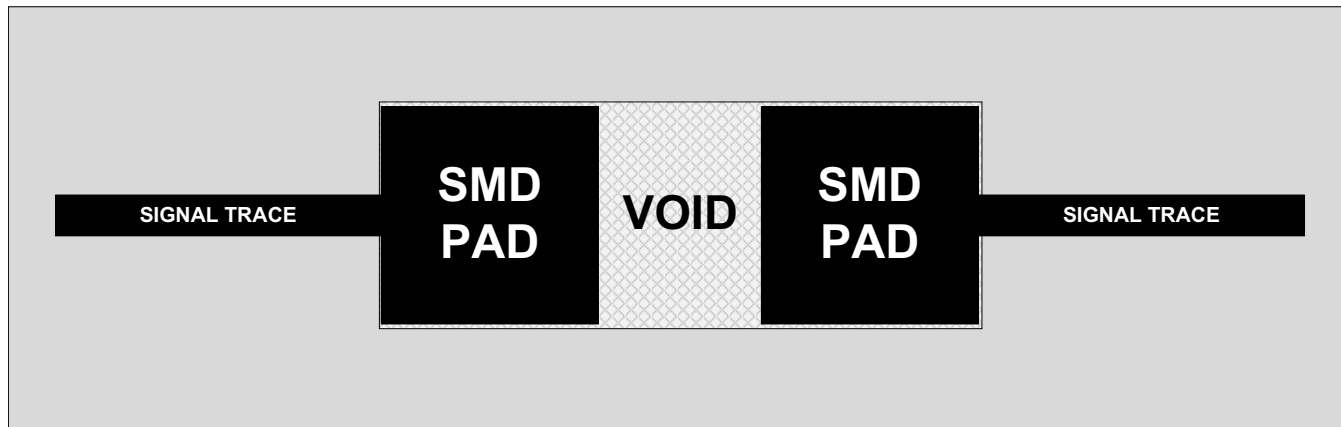


Figure 20. Reference Plane Voiding of Surface-Mount Devices

10.1.8 ESD/EMI Considerations

When choosing ESD/EMI components, TI recommends selecting devices that permit flow-through routing of the USB differential signal pair because they provide the cleanest routing. For example, the TI TPD4EUSB30 can be combined with the TI TPD2EUSB30 to provide flow-through ESD protection for both USB2 and USB3 differential signals without the need for bends in the signal pairs. For an example of flow-through routing, see [Figure 21](#).

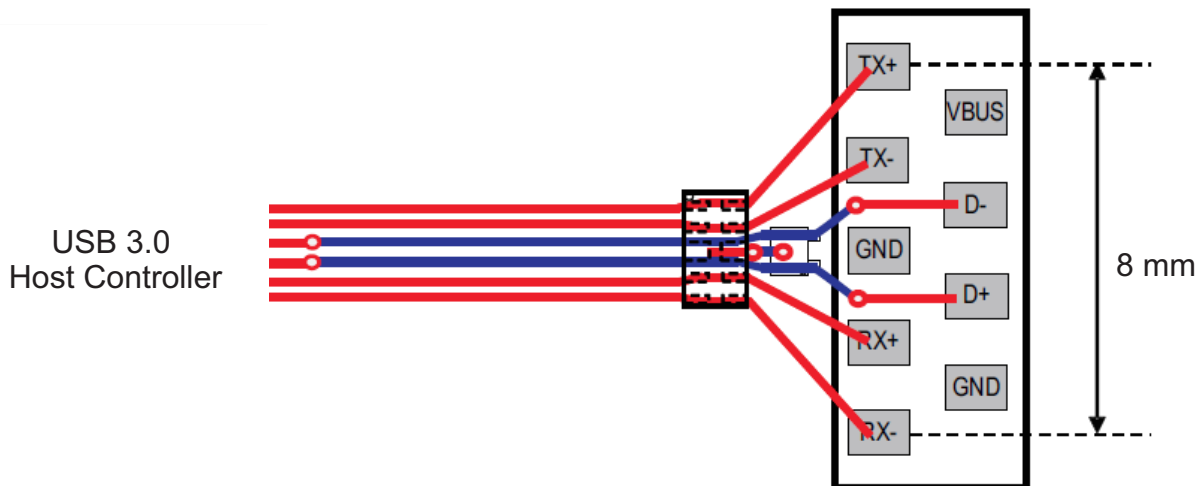


Figure 21. Flow-Through Routing

10.2 Layout

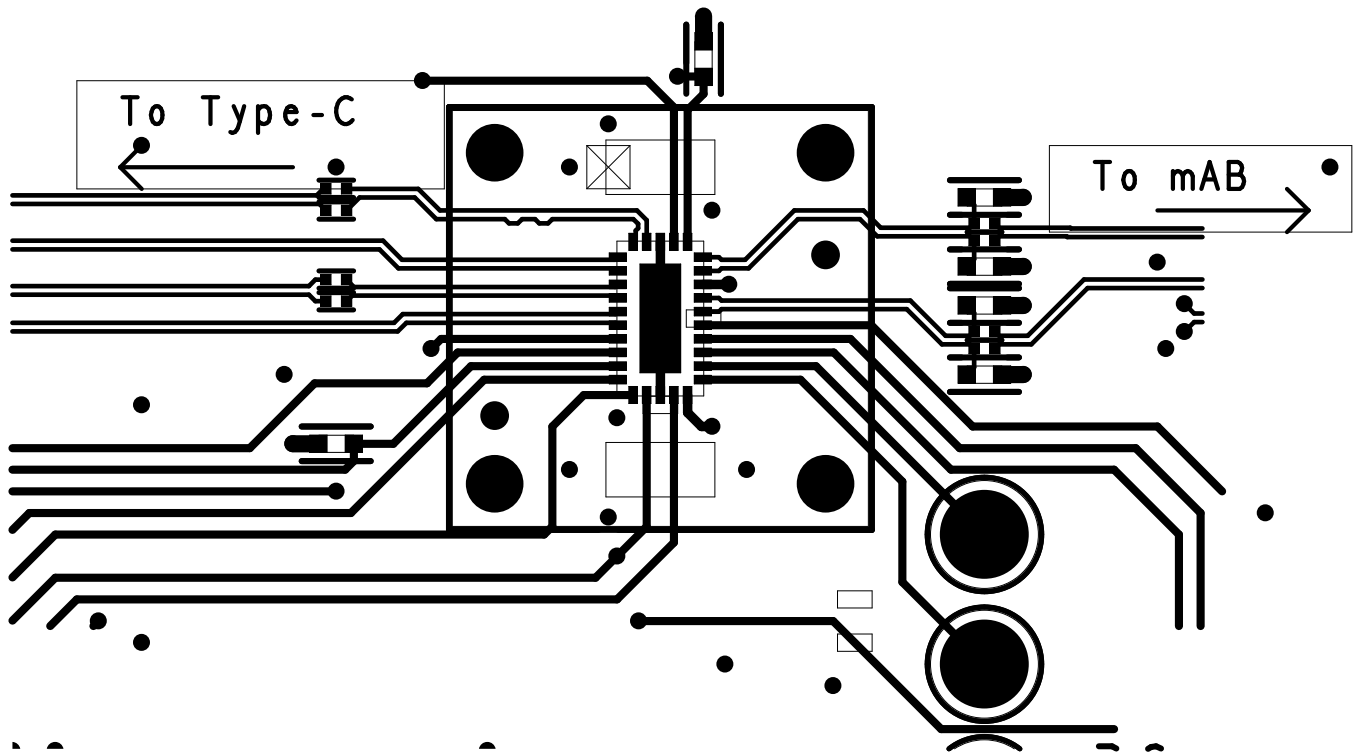


Figure 22. Layout Example

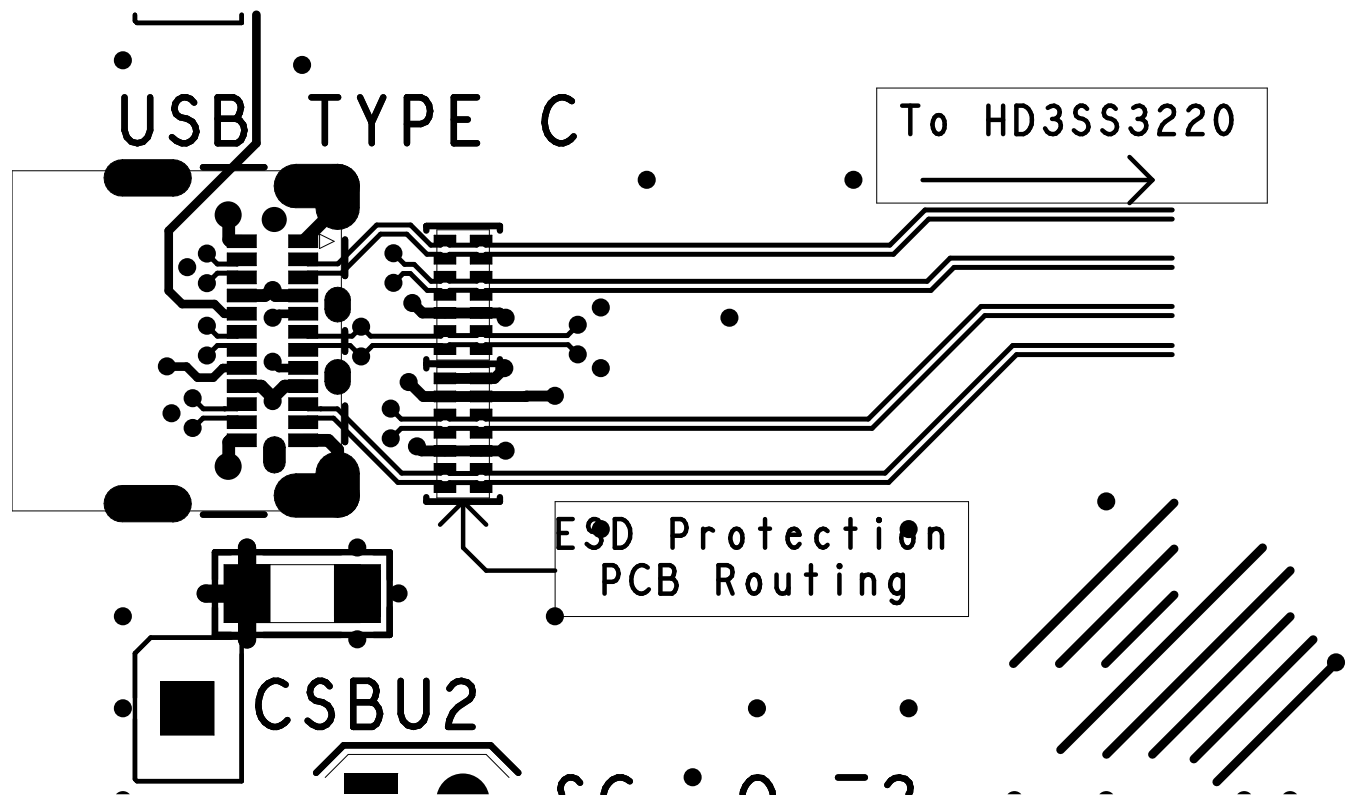


Figure 23. Layout Example 2

## 11 Device and Documentation Support

### 11.1 Receiving Notification of Documentation Updates

To receive notification of documentation updates, navigate to the device product folder on ti.com. In the upper right corner, click on *Alert me* to register and receive a weekly digest of any product information that has changed. For change details, review the revision history included in any revised document.

### 11.2 Community Resources

The following links connect to TI community resources. Linked contents are provided "AS IS" by the respective contributors. They do not constitute TI specifications and do not necessarily reflect TI's views; see TI's [Terms of Use](#).

**TI E2E™ Online Community** *TI's Engineer-to-Engineer (E2E) Community*. Created to foster collaboration among engineers. At e2e.ti.com, you can ask questions, share knowledge, explore ideas and help solve problems with fellow engineers.

**Design Support** *TI's Design Support* Quickly find helpful E2E forums along with design support tools and contact information for technical support.

### 11.3 Trademarks

E2E is a trademark of Texas Instruments.  
All other trademarks are the property of their respective owners.

### 11.4 Electrostatic Discharge Caution



These devices have limited built-in ESD protection. The leads should be shorted together or the device placed in conductive foam during storage or handling to prevent electrostatic damage to the MOS gates.

### 11.5 Glossary

[SLYZ022](#) — *TI Glossary*.

This glossary lists and explains terms, acronyms, and definitions.

## 12 Mechanical, Packaging, and Orderable Information

The following pages include mechanical, packaging, and orderable information. This information is the most current data available for the designated devices. This data is subject to change without notice and revision of this document. For browser-based versions of this data sheet, refer to the left-hand navigation.

## PACKAGING INFORMATION

Orderable Device	Status (1)	Package Type	Package Drawing	Pins	Package Qty	Eco Plan (2)	Lead/Ball Finish (6)	MSL Peak Temp (3)	Op Temp (°C)	Device Marking (4/5)	Samples
HD3SS3220IRNHR	ACTIVE	WQFN	RNH	30	3000	Green (RoHS & no Sb/Br)	CU NIPDAU	Level-2-260C-1 YEAR	-40 to 85	HD3220	<a href="#">Samples</a>
HD3SS3220IRNHT	ACTIVE	WQFN	RNH	30	250	Green (RoHS & no Sb/Br)	CU NIPDAU	Level-2-260C-1 YEAR	-40 to 85	HD3220	<a href="#">Samples</a>
HD3SS3220RNHR	ACTIVE	WQFN	RNH	30	3000	Green (RoHS & no Sb/Br)	CU NIPDAU	Level-2-260C-1 YEAR	0 to 70	HD3220	<a href="#">Samples</a>
HD3SS3220RNHT	ACTIVE	WQFN	RNH	30	250	Green (RoHS & no Sb/Br)	CU NIPDAU	Level-2-260C-1 YEAR	0 to 70	HD3220	<a href="#">Samples</a>

(1) The marketing status values are defined as follows:

**ACTIVE:** Product device recommended for new designs.

**LIFEBUY:** TI has announced that the device will be discontinued, and a lifetime-buy period is in effect.

**NRND:** Not recommended for new designs. Device is in production to support existing customers, but TI does not recommend using this part in a new design.

**PREVIEW:** Device has been announced but is not in production. Samples may or may not be available.

**OBSELETE:** TI has discontinued the production of the device.

(2) Eco Plan - The planned eco-friendly classification: Pb-Free (RoHS), Pb-Free (RoHS Exempt), or Green (RoHS & no Sb/Br) - please check <http://www.ti.com/productcontent> for the latest availability information and additional product content details.

**TBD:** The Pb-Free/Green conversion plan has not been defined.

**Pb-Free (RoHS):** TI's terms "Lead-Free" or "Pb-Free" mean semiconductor products that are compatible with the current RoHS requirements for all 6 substances, including the requirement that lead not exceed 0.1% by weight in homogeneous materials. Where designed to be soldered at high temperatures, TI Pb-Free products are suitable for use in specified lead-free processes.

**Pb-Free (RoHS Exempt):** This component has a RoHS exemption for either 1) lead-based flip-chip solder bumps used between the die and package, or 2) lead-based die adhesive used between the die and leadframe. The component is otherwise considered Pb-Free (RoHS compatible) as defined above.

**Green (RoHS & no Sb/Br):** TI defines "Green" to mean Pb-Free (RoHS compatible), and free of Bromine (Br) and Antimony (Sb) based flame retardants (Br or Sb do not exceed 0.1% by weight in homogeneous material)

(3) MSL, Peak Temp. - The Moisture Sensitivity Level rating according to the JEDEC industry standard classifications, and peak solder temperature.

(4) There may be additional marking, which relates to the logo, the lot trace code information, or the environmental category on the device.

(5) Multiple Device Markings will be inside parentheses. Only one Device Marking contained in parentheses and separated by a "~" will appear on a device. If a line is indented then it is a continuation of the previous line and the two combined represent the entire Device Marking for that device.

(6) Lead/Ball Finish - Orderable Devices may have multiple material finish options. Finish options are separated by a vertical ruled line. Lead/Ball Finish values may wrap to two lines if the finish value exceeds the maximum column width.

**Important Information and Disclaimer:** The information provided on this page represents TI's knowledge and belief as of the date that it is provided. TI bases its knowledge and belief on information provided by third parties, and makes no representation or warranty as to the accuracy of such information. Efforts are underway to better integrate information from third parties. TI has taken and continues to take reasonable steps to provide representative and accurate information but may not have conducted destructive testing or chemical analysis on incoming materials and chemicals. TI and TI suppliers consider certain information to be proprietary, and thus CAS numbers and other limited information may not be available for release.

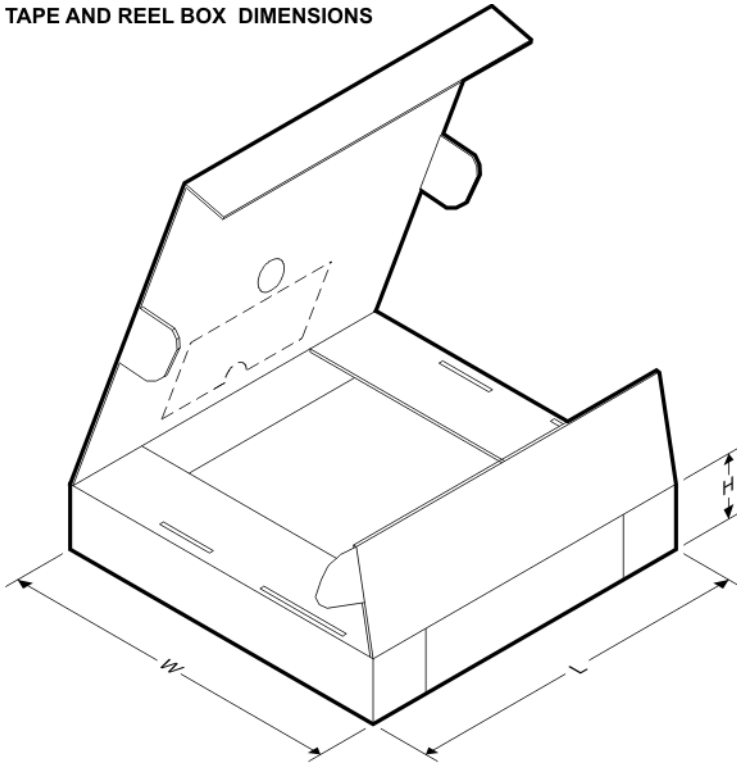
In no event shall TI's liability arising out of such information exceed the total purchase price of the TI part(s) at issue in this document sold by TI to Customer on an annual basis.

**TAPE AND REEL INFORMATION**

**QUADRANT ASSIGNMENTS FOR PIN 1 ORIENTATION IN TAPE**

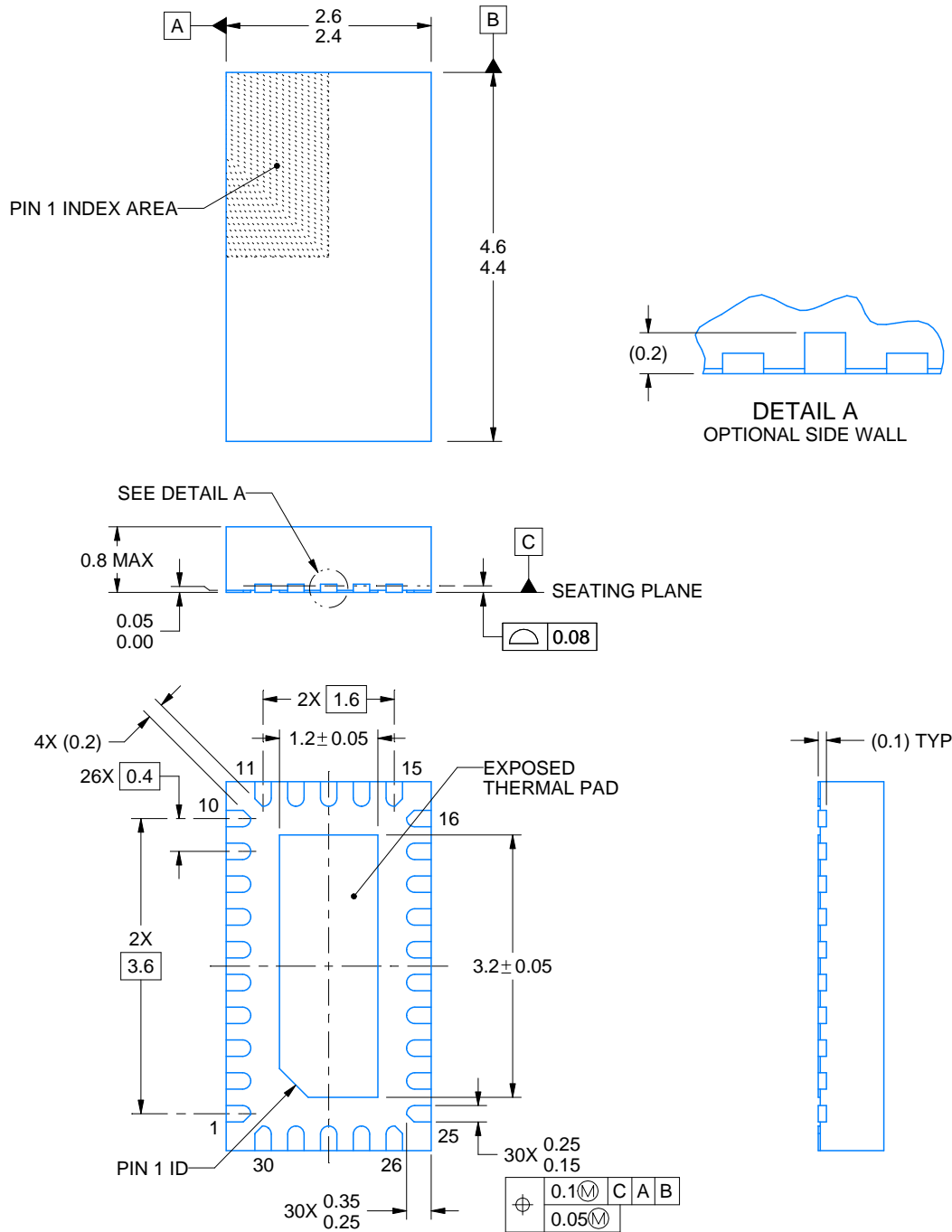
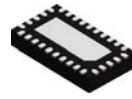

\*All dimensions are nominal

Device	Package Type	Package Drawing	Pins	SPQ	Reel Diameter (mm)	Reel Width W1 (mm)	A0 (mm)	B0 (mm)	K0 (mm)	P1 (mm)	W (mm)	Pin1 Quadrant
HD3SS3220IRNHR	WQFN	RNH	30	3000	330.0	12.4	2.8	4.8	1.2	4.0	12.0	Q1
HD3SS3220IRNHT	WQFN	RNH	30	250	180.0	12.4	2.8	4.8	1.2	4.0	12.0	Q1
HD3SS3220RNHR	WQFN	RNH	30	3000	330.0	12.4	2.8	4.8	1.2	4.0	12.0	Q1
HD3SS3220RNHT	WQFN	RNH	30	250	180.0	12.4	2.8	4.8	1.2	4.0	12.0	Q1

**TAPE AND REEL BOX DIMENSIONS**


\*All dimensions are nominal

Device	Package Type	Package Drawing	Pins	SPQ	Length (mm)	Width (mm)	Height (mm)
HD3SS3220IRNHR	WQFN	RNH	30	3000	367.0	367.0	35.0
HD3SS3220IRNHT	WQFN	RNH	30	250	210.0	185.0	35.0
HD3SS3220RNHR	WQFN	RNH	30	3000	367.0	367.0	35.0
HD3SS3220RNHT	WQFN	RNH	30	250	210.0	185.0	35.0



4221819/B 10/2017

NOTES:

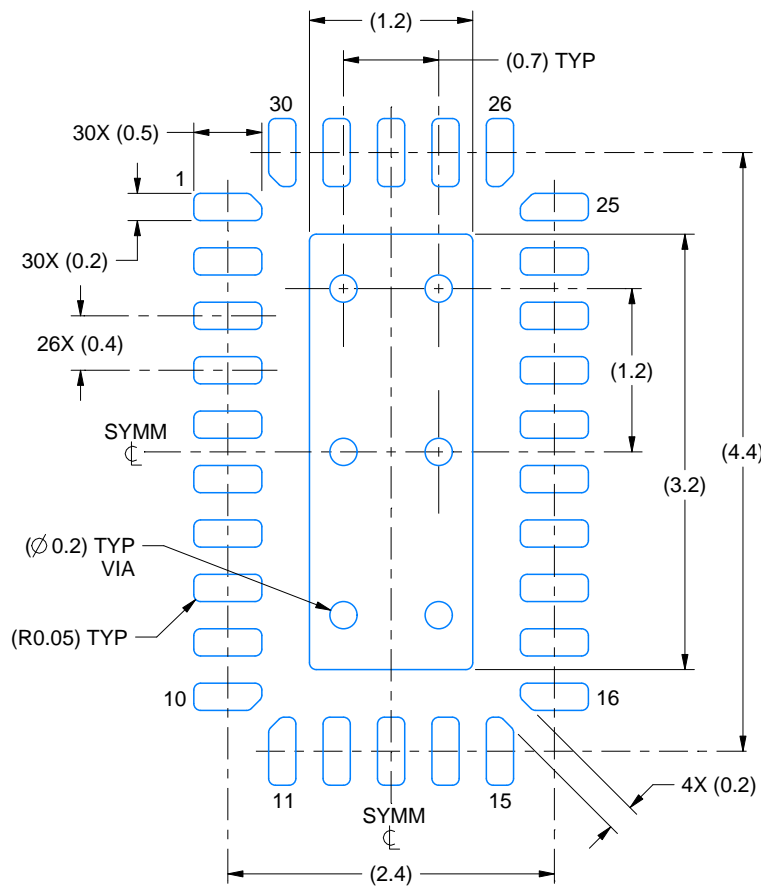
1. All linear dimensions are in millimeters. Any dimensions in parenthesis are for reference only. Dimensioning and tolerancing per ASME Y14.5M.
2. This drawing is subject to change without notice.
3. The package thermal pad must be soldered to the printed circuit board for thermal and mechanical performance.

# EXAMPLE BOARD LAYOUT

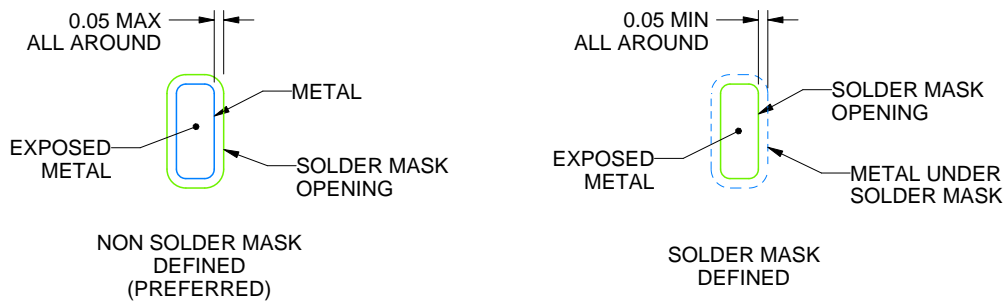
**RNH0030A**

**WQFN - 0.8 mm max height**

PLASTIC QUAD FLATPACK - NO LEAD



**LAND PATTERN EXAMPLE**  
EXPOSED METAL SHOWN  
SCALE:18X



**SOLDER MASK DETAILS**

4221819/B 10/2017

NOTES: (continued)

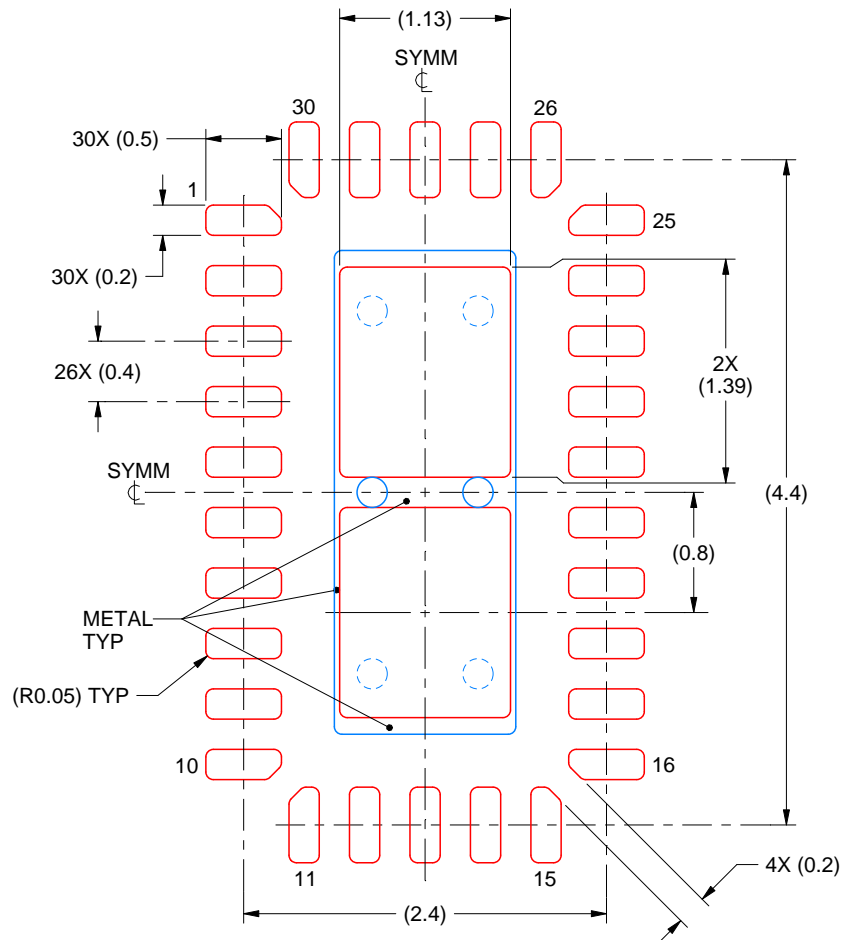
4. This package is designed to be soldered to a thermal pad on the board. For more information, see Texas Instruments literature number SLUA271 ([www.ti.com/lit/sluea271](http://www.ti.com/lit/sluea271)).

# EXAMPLE STENCIL DESIGN

RNH0030A

WQFN - 0.8 mm max height

PLASTIC QUAD FLATPACK - NO LEAD



**SOLDER PASTE EXAMPLE**  
BASED ON 0.1 mm THICK STENCIL

EXPOSED PAD  
82% PRINTED SOLDER COVERAGE BY AREA  
SCALE:20X

4221819/B 10/2017

NOTES: (continued)

5. Laser cutting apertures with trapezoidal walls and rounded corners may offer better paste release. IPC-7525 may have alternate design recommendations.

## IMPORTANT NOTICE

Texas Instruments Incorporated (TI) reserves the right to make corrections, enhancements, improvements and other changes to its semiconductor products and services per JESD46, latest issue, and to discontinue any product or service per JESD48, latest issue. Buyers should obtain the latest relevant information before placing orders and should verify that such information is current and complete.

TI's published terms of sale for semiconductor products (<http://www.ti.com/sc/docs/stdterms.htm>) apply to the sale of packaged integrated circuit products that TI has qualified and released to market. Additional terms may apply to the use or sale of other types of TI products and services.

Reproduction of significant portions of TI information in TI data sheets is permissible only if reproduction is without alteration and is accompanied by all associated warranties, conditions, limitations, and notices. TI is not responsible or liable for such reproduced documentation. Information of third parties may be subject to additional restrictions. Resale of TI products or services with statements different from or beyond the parameters stated by TI for that product or service voids all express and any implied warranties for the associated TI product or service and is an unfair and deceptive business practice. TI is not responsible or liable for any such statements.

Buyers and others who are developing systems that incorporate TI products (collectively, "Designers") understand and agree that Designers remain responsible for using their independent analysis, evaluation and judgment in designing their applications and that Designers have full and exclusive responsibility to assure the safety of Designers' applications and compliance of their applications (and of all TI products used in or for Designers' applications) with all applicable regulations, laws and other applicable requirements. Designer represents that, with respect to their applications, Designer has all the necessary expertise to create and implement safeguards that (1) anticipate dangerous consequences of failures, (2) monitor failures and their consequences, and (3) lessen the likelihood of failures that might cause harm and take appropriate actions. Designer agrees that prior to using or distributing any applications that include TI products, Designer will thoroughly test such applications and the functionality of such TI products as used in such applications.

TI's provision of technical, application or other design advice, quality characterization, reliability data or other services or information, including, but not limited to, reference designs and materials relating to evaluation modules, (collectively, "TI Resources") are intended to assist designers who are developing applications that incorporate TI products; by downloading, accessing or using TI Resources in any way, Designer (individually or, if Designer is acting on behalf of a company, Designer's company) agrees to use any particular TI Resource solely for this purpose and subject to the terms of this Notice.

TI's provision of TI Resources does not expand or otherwise alter TI's applicable published warranties or warranty disclaimers for TI products, and no additional obligations or liabilities arise from TI providing such TI Resources. TI reserves the right to make corrections, enhancements, improvements and other changes to its TI Resources. TI has not conducted any testing other than that specifically described in the published documentation for a particular TI Resource.

Designer is authorized to use, copy and modify any individual TI Resource only in connection with the development of applications that include the TI product(s) identified in such TI Resource. NO OTHER LICENSE, EXPRESS OR IMPLIED, BY ESTOPPEL OR OTHERWISE TO ANY OTHER TI INTELLECTUAL PROPERTY RIGHT, AND NO LICENSE TO ANY TECHNOLOGY OR INTELLECTUAL PROPERTY RIGHT OF TI OR ANY THIRD PARTY IS GRANTED HEREIN, including but not limited to any patent right, copyright, mask work right, or other intellectual property right relating to any combination, machine, or process in which TI products or services are used. Information regarding or referencing third-party products or services does not constitute a license to use such products or services, or a warranty or endorsement thereof. Use of TI Resources may require a license from a third party under the patents or other intellectual property of the third party, or a license from TI under the patents or other intellectual property of TI.

TI RESOURCES ARE PROVIDED "AS IS" AND WITH ALL FAULTS. TI DISCLAIMS ALL OTHER WARRANTIES OR REPRESENTATIONS, EXPRESS OR IMPLIED, REGARDING RESOURCES OR USE THEREOF, INCLUDING BUT NOT LIMITED TO ACCURACY OR COMPLETENESS, TITLE, ANY EPIDEMIC FAILURE WARRANTY AND ANY IMPLIED WARRANTIES OF MERCHANTABILITY, FITNESS FOR A PARTICULAR PURPOSE, AND NON-INFRINGEMENT OF ANY THIRD PARTY INTELLECTUAL PROPERTY RIGHTS. TI SHALL NOT BE LIABLE FOR AND SHALL NOT DEFEND OR INDEMNIFY DESIGNER AGAINST ANY CLAIM, INCLUDING BUT NOT LIMITED TO ANY INFRINGEMENT CLAIM THAT RELATES TO OR IS BASED ON ANY COMBINATION OF PRODUCTS EVEN IF DESCRIBED IN TI RESOURCES OR OTHERWISE. IN NO EVENT SHALL TI BE LIABLE FOR ANY ACTUAL, DIRECT, SPECIAL, COLLATERAL, INDIRECT, PUNITIVE, INCIDENTAL, CONSEQUENTIAL OR EXEMPLARY DAMAGES IN CONNECTION WITH OR ARISING OUT OF TI RESOURCES OR USE THEREOF, AND REGARDLESS OF WHETHER TI HAS BEEN ADVISED OF THE POSSIBILITY OF SUCH DAMAGES.

Unless TI has explicitly designated an individual product as meeting the requirements of a particular industry standard (e.g., ISO/TS 16949 and ISO 26262), TI is not responsible for any failure to meet such industry standard requirements.

Where TI specifically promotes products as facilitating functional safety or as compliant with industry functional safety standards, such products are intended to help enable customers to design and create their own applications that meet applicable functional safety standards and requirements. Using products in an application does not by itself establish any safety features in the application. Designers must ensure compliance with safety-related requirements and standards applicable to their applications. Designer may not use any TI products in life-critical medical equipment unless authorized officers of the parties have executed a special contract specifically governing such use. Life-critical medical equipment is medical equipment where failure of such equipment would cause serious bodily injury or death (e.g., life support, pacemakers, defibrillators, heart pumps, neurostimulators, and implantables). Such equipment includes, without limitation, all medical devices identified by the U.S. Food and Drug Administration as Class III devices and equivalent classifications outside the U.S.

TI may expressly designate certain products as completing a particular qualification (e.g., Q100, Military Grade, or Enhanced Product). Designers agree that it has the necessary expertise to select the product with the appropriate qualification designation for their applications and that proper product selection is at Designers' own risk. Designers are solely responsible for compliance with all legal and regulatory requirements in connection with such selection.

Designer will fully indemnify TI and its representatives against any damages, costs, losses, and/or liabilities arising out of Designer's non-compliance with the terms and provisions of this Notice.

## Looking for pricing, stock, or lifecycle information?

Click below to explore more details on WIN SOURCE:

 [View HD3SS3220RNHT on WIN SOURCE](#)

 [Texas Instruments](#) Information

## Optimize Your Supply Chain with WIN SOURCE Solutions

-  Global Sourcing Solution
-  Obsolete Management
-  Cost Control Management
-  Shortage Management
-  Alternative Solution
-  Excess Inventory Management