



# HC2

## High Power Resonant Capacitors



### FEATURES

High AC Voltage - High Current

### APPLICATIONS

Induction Heating, Tank Circuits

KVAR	200
CAPACITANCE TOLERANCE	+/-10%
MAXIMUM CORE TEMPERATURE	+85°C
SURFACE TEMPERATURE	+45°C (Above 45°C the KVAR rating must be de-rated by 2.25%/°C)
CONSTRUCTION	Self-healing
SELF INDUCTANCE	< 3 nH
DIELECTRIC	Polypropylene
FLAME RETARDANT	UL94V0

### Standard Part Listing

Capacitance (µF)	VAC	IC part number	Maximum RMS current (A)	MAX power KVAR	Frequency range (kHz)	ESR (mΩ) 100kHz, +25°C	Dimensions (mm)			Terminal Style
							B	H	L	
0.05	1000	<a href="#">503HC2102K2CM6</a>	250	200	636-994	1.5	30.2	30	68	2CM6
		<a href="#">503HC2102K2SM6</a>								2SM6
0.1	1000	<a href="#">104HC2102K2CM6</a>	250	200	318-498	1.2	30.2	30	68	2CM6
		<a href="#">104HC2102K2SM6</a>								2SM6
0.17	900	<a href="#">174HC2900K2CM6</a>	300	200	232-422	1	30.2	30	68	2CM6
		<a href="#">174HC2900K2SM6</a>								2SM6
0.25	800	<a href="#">254HC2800K2CM6</a>	300	200	199-286	0.9	30.2	30	68	2CM6
		<a href="#">254HC2800K2SM6</a>								2SM6
0.33	800	<a href="#">334HC2800K2CM6</a>	300	200	150-216	0.8	30.2	30	68	2CM6
		<a href="#">334HC2800K2SM6</a>								2SM6
0.5	800	<a href="#">504HC2800K2CM6</a>	350	200	98-194	0.6	30.2	30	68	2CM6
		<a href="#">504HC2800K2SM6</a>								2SM6
0.66	700	<a href="#">664HC2700K2CM6</a>	400	200	98-193	0.4	30.2	30	68	2CM6
		<a href="#">664HC2700K2SM6</a>								2SM6
1.2	600	<a href="#">125HC2600K2CM6</a>	450	200	74-134	0.4	30.2	30	68	2CM6
		<a href="#">125HC2600K2SM6</a>								2SM6
1.33	600	<a href="#">135HC2600K2CM6</a>	450	200	65-120	0.4	30.2	30	68	2CM6
		<a href="#">135HC2600K2SM6</a>								2SM6
2.4	450	<a href="#">245HC2450K2CM6</a>	500	200	65-85	0.3	30.2	30	68	2CM6
		<a href="#">245HC2450K2SM6</a>								2SM6



Your Global Source for World-Class Capacitors

© 2017 Illinois Capacitor

**North America**  
Tel: 847.675.1760  
sales@illcap.com

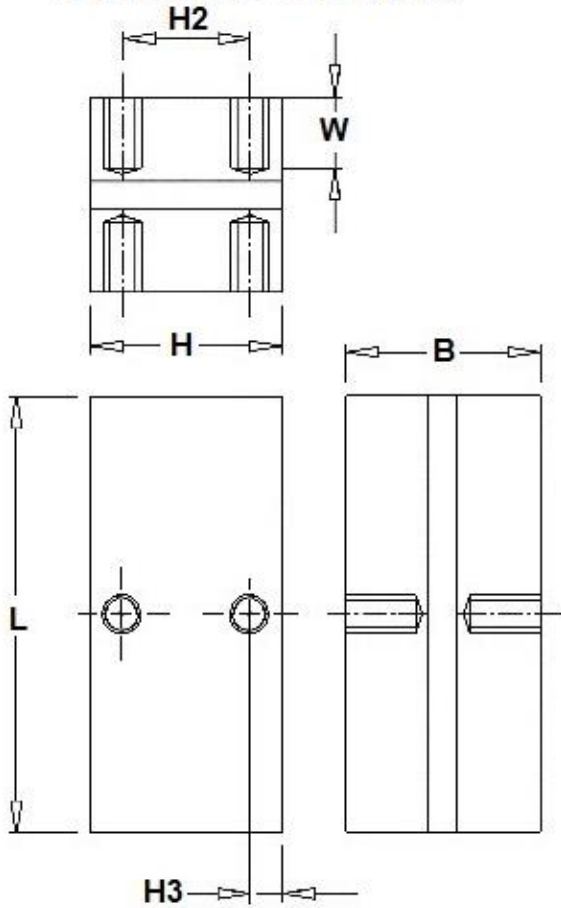
**Asia**  
Tel: 852.2793 0931  
sales@illcap.com.hk

# HC2

## High Power Resonant Capacitors

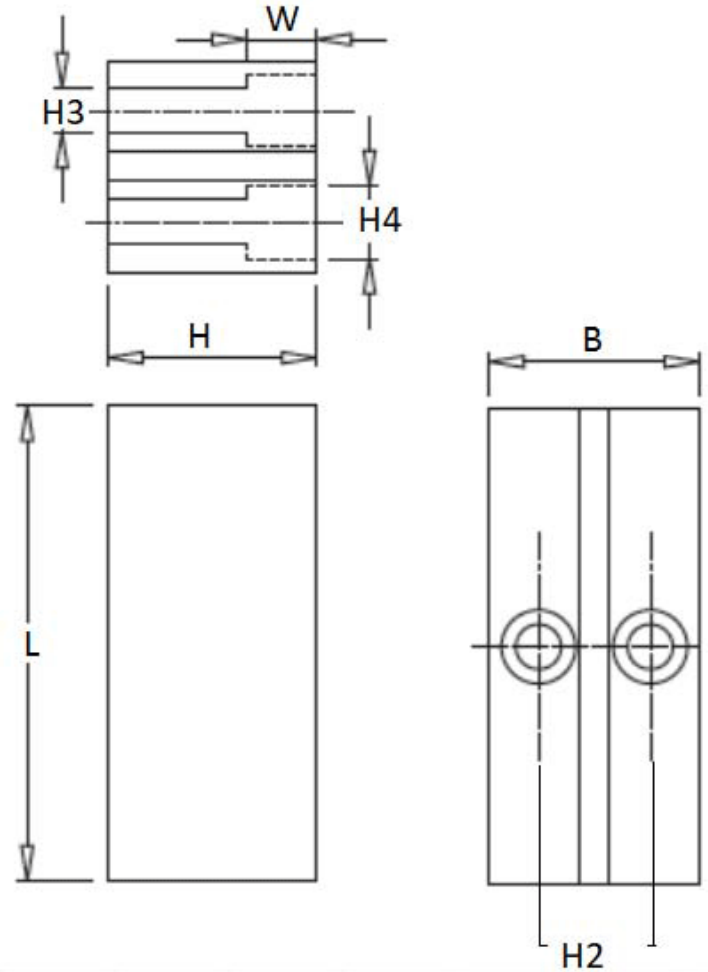


TERMINAL STYLE: 2CM6



L	H	B	H2	H3	W
68±0.5	30±0.5	30.2±0.1	20	5	10
Mounting Holes: M6x1 Tap fitted with SS helicoil					
Tightening torque: 15Nm MAX					

TERMINAL STYLE: 2SM6



L	H	B	H2	H3	H4	W
68±0.5	30±0.5	30.2±0.1	16	6.5	10.5	10
Tightening torque: 15Nm MAX						



Your Global Source for World-Class Capacitors

© 2017 Illinois Capacitor

North America  
Tel: 847.675.1760  
sales@illcap.com

Asia  
Tel: 852.2793 0931  
sales@illcap.com.hk

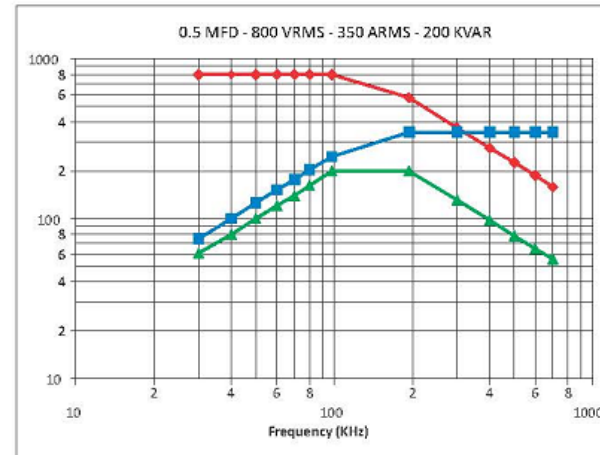
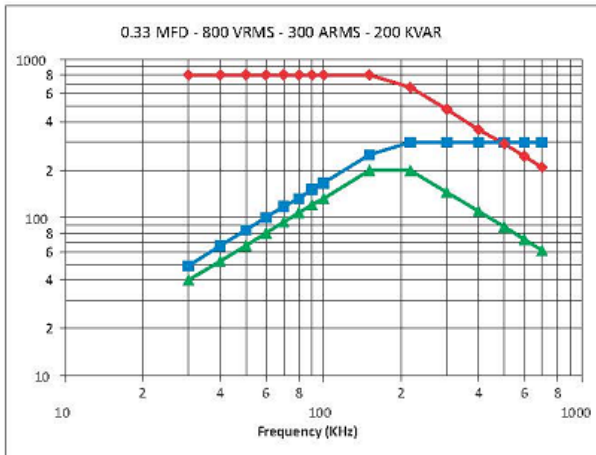
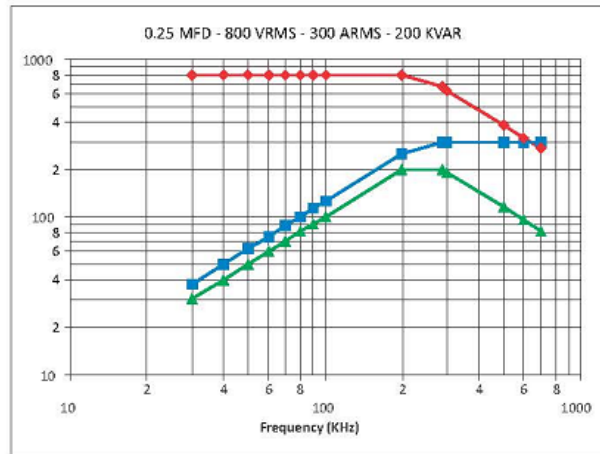
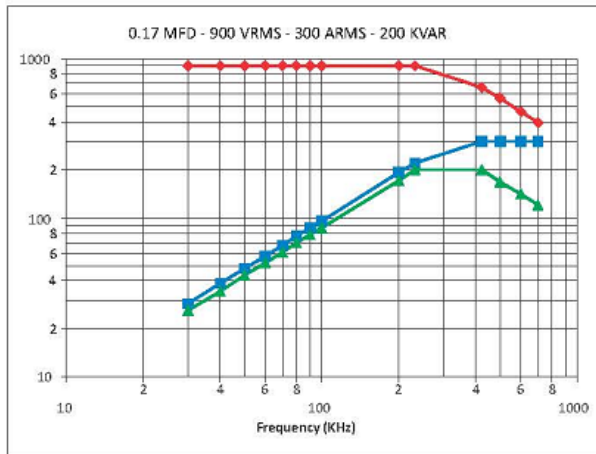
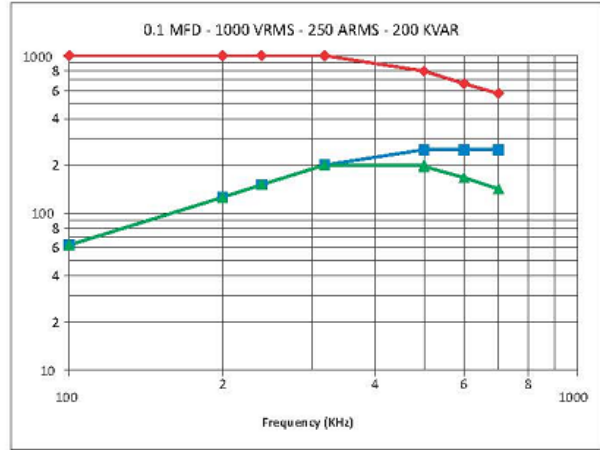
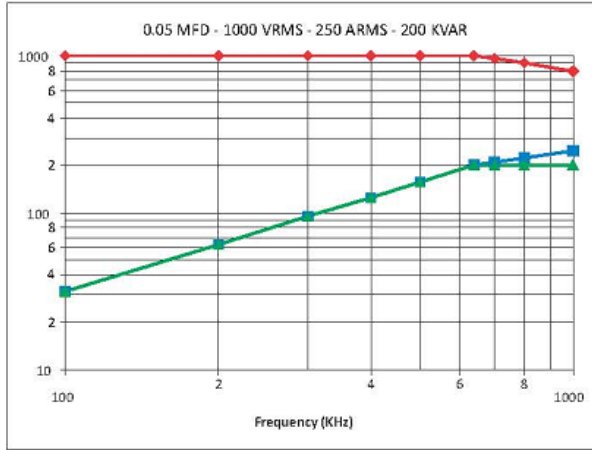
# HC2

## High Power Resonant Capacitors



### Frequency Derating

—●— Voltage    —■— Current    —▲— Power



Your Global Source for World-Class Capacitors

© 2017 Illinois Capacitor

**North America**  
Tel: 847.675.1760  
sales@illcap.com

**Asia**  
Tel: 852.2793 0931  
sales@illcap.com.hk

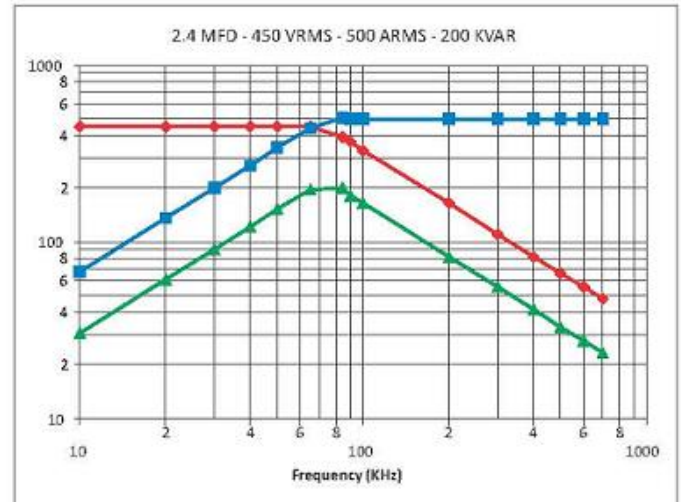
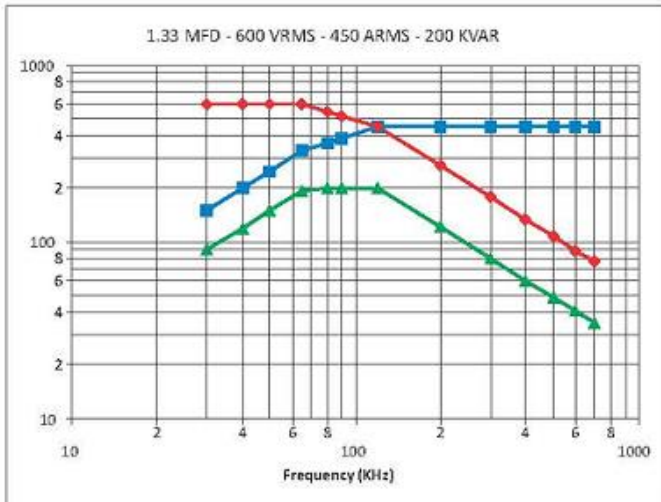
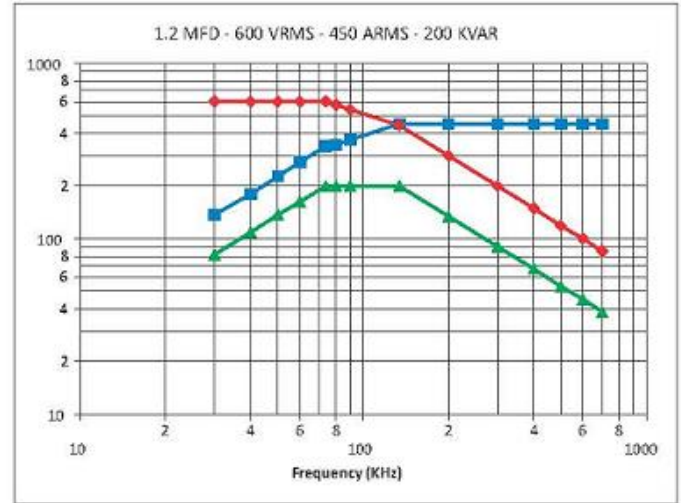
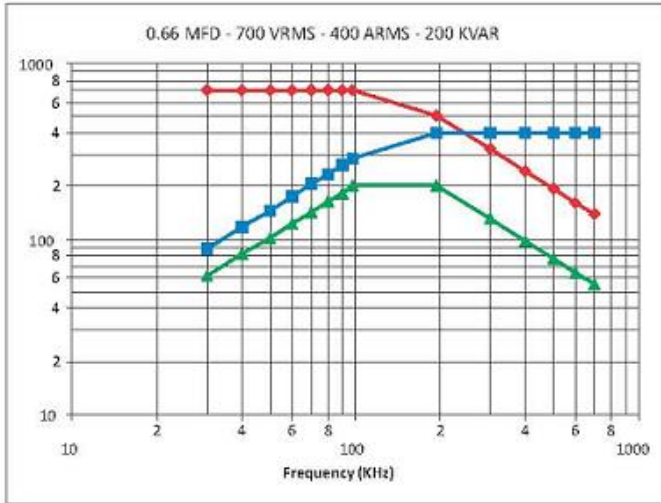
# HC2

## High Power Resonant Capacitors



### Frequency Derating

— Voltage — Current — Power



Your Global Source for World-Class Capacitors

© 2017 Illinois Capacitor

**North America**  
Tel: 847.675.1760  
sales@illcap.com

**Asia**  
Tel: 852.2793 0931  
sales@illcap.com.hk

## Looking for pricing, stock, or lifecycle information?

Click below to explore more details on WIN SOURCE:

 [View 245HC2450K2CM6 on WIN SOURCE](#)

 [Illinois Capacitor Information](#)

## Optimize Your Supply Chain with WIN SOURCE Solutions

-  Global Sourcing Solution
-  Obsolete Management
-  Cost Control Management
-  Shortage Management
-  Alternative Solution
-  Excess Inventory Management