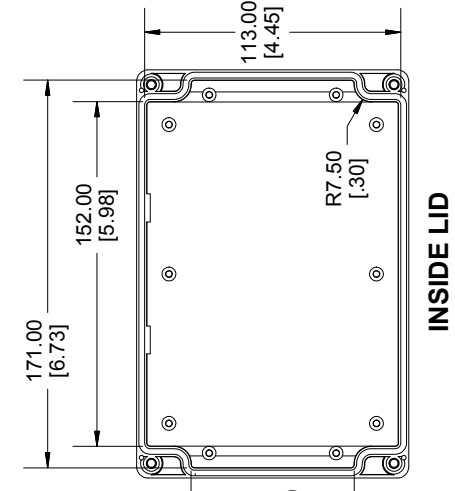
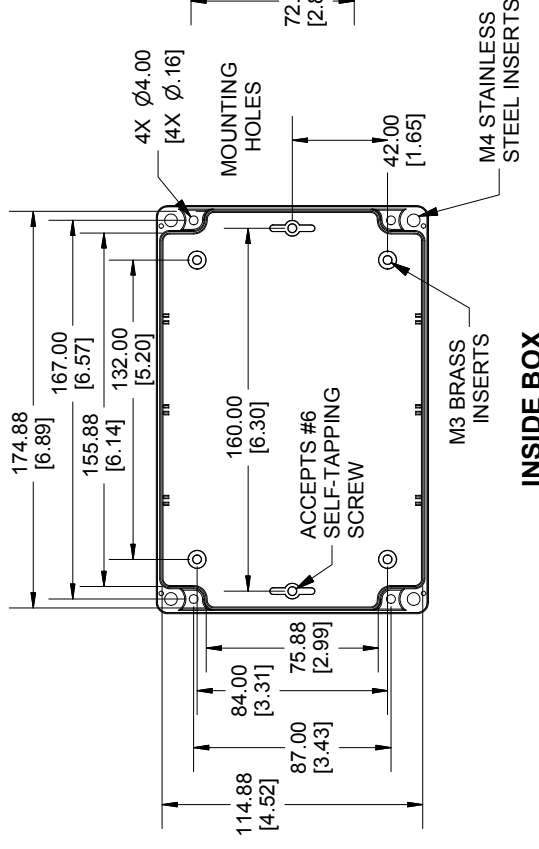


**SECTION A-A  
SIDE VIEW**



**INSIDE LID**

**Dimensions:**  
mm  
[inches]

Enclosures can be Contact Factory Solid models of this (Part number and text please we do not recommend using

Purchased assembly performed silicone gas General Purpose ABS Polycarbonate version



**Recommended Co**

General Purp	Polycarb
Steel I	Steel Panel / P.C
Steel Panel / P.C	[M3 x
Steel Panel / P.C	E. E.
Cover S	#[6 X 1/4"
	[M4 X 20mm
	Silicone Pres-fc



## Looking for pricing, stock, or lifecycle information?

Click below to explore more details on WIN SOURCE:

-  [View 1555H2GY on WIN SOURCE](#)
-  [Hammond Manufacturing Information](#)

## Optimize Your Supply Chain with WIN SOURCE Solutions

-  Global Sourcing Solution
-  Obsolete Management
-  Cost Control Management
-  Shortage Management
-  Alternative Solution
-  Excess Inventory Management