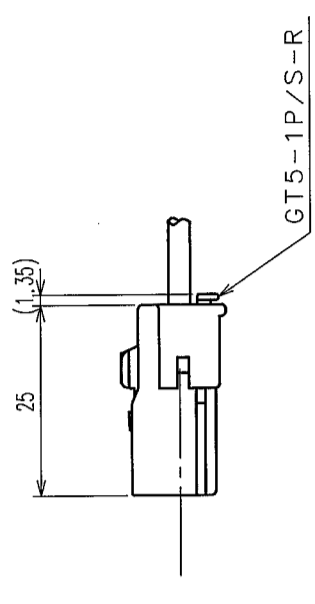
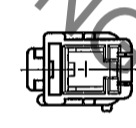
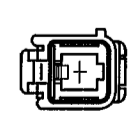
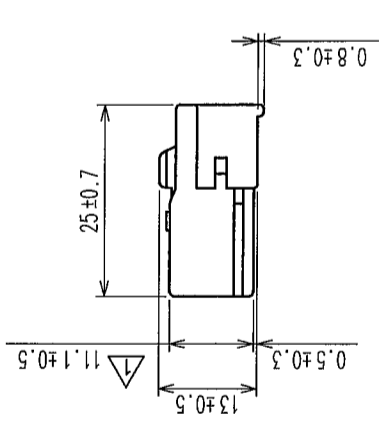
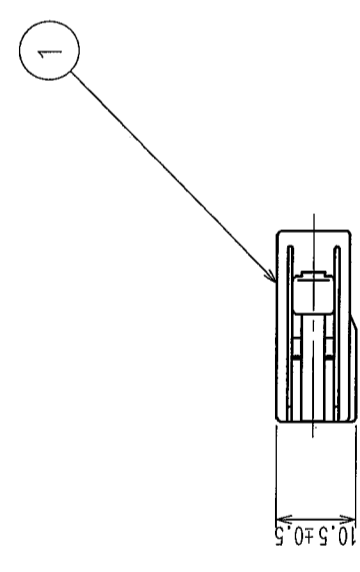




**THE DATASHEET OF
GT5-1S-HU(C)**



COUNT	DESCRIPTION OF REVISIONS	BY	CHKD	DATE	COUNT	DESCRIPTION OF REVISIONS	BY	CHKD	DATE
1	RE-T-00705	K.N	M.O	02.4.9					



CONNECTOR ASSEMBLED WITH A RETAINER

NOTE1. THIS CONNECTOR SHALL BE USED WITH A RETAINER
(CL755-0006-2).

HRS DRAWING FOR REFERENCE

2				4					
1	PBT	SIGNAL BLUE		3					
NO.	MATERIAL	FINISH, REMARKS	NO.	MATERIAL	DESIGNED	CHECKED	APPROVED	RELEASED	
CODE NO. (OLD)				DRAWN		PART NO.		GT5-1S-HU(C)	
				K.NEI		M.OKADA		K.SAITO	
				02.2.16		02.2.16		02.2.16	
DRAWING NO.		EDC3-165586		HIROSE ELECTRIC CO., LTD		HRS		CL755-0080-5	
SCALE		1 : 1		UNITS		mm		1/1	

TO

Looking for pricing, stock, or lifecycle information?

Click below to explore more details on WIN SOURCE:

[View GT5-1S-HU\(C\) on WIN SOURCE](#)

[Hirose Electric Co Ltd Information](#)

Optimize Your Supply Chain with WIN SOURCE Solutions

- ✓ Global Sourcing Solution
- ✓ Obsolete Management
- ✓ Cost Control Management
- ✓ Shortage Management
- ✓ Alternative Solution
- ✓ Excess Inventory Management