



**THE DATASHEET OF
GRS-2013C-1300**

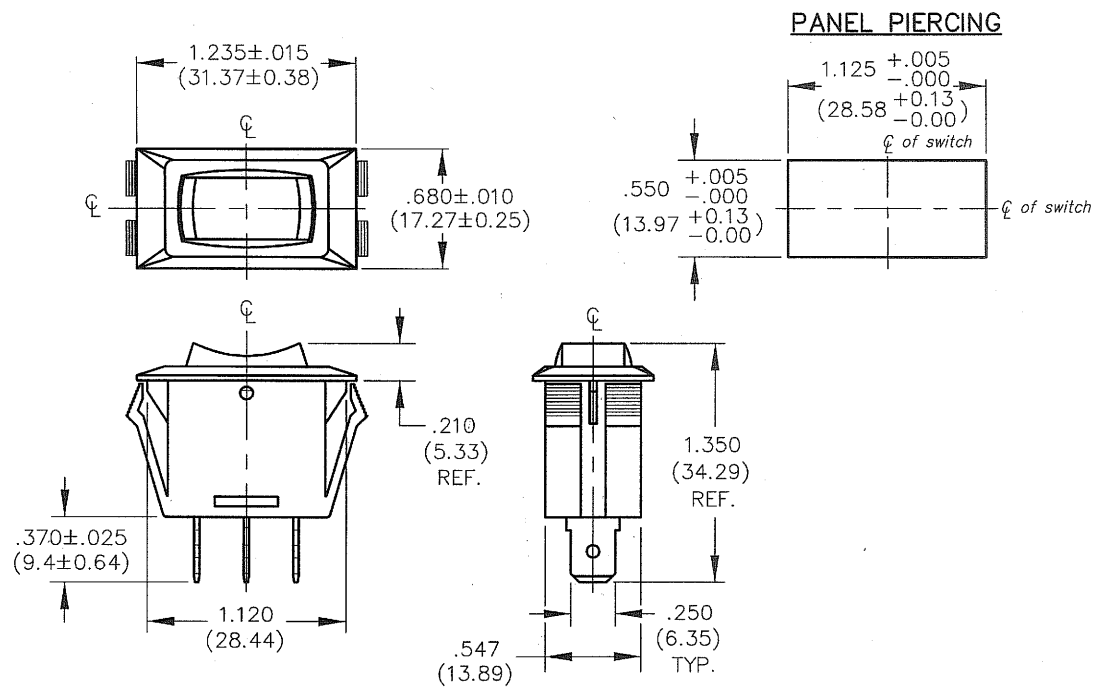
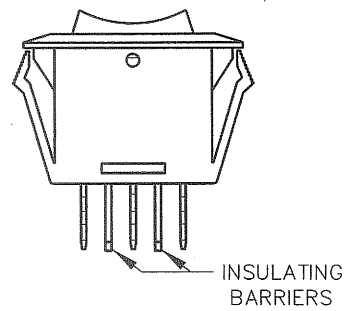


PANEL THICKNESS
 .025" to .180"
 (0.64mm to 4.57mm)

DIMENSIONS IN INCHES (MILLIMETERS)
 DO NOT SCALE DRAWING

Dwg. No.
GRS-2013C-XXXX

OPTIONAL BARRIERS:



F
 D
 C
 B
 A
 THIS INFORMATION IS CONFIDENTIAL AND PROPRIETARY TO GW INDUSTRIES, INCORPORATED AND ITS AFFILIATES. IT MAY NOT BE DISCLOSED TO ANYONE OTHER THAN GW INDUSTRIES PERSONNEL, WITHOUT WRITTEN AUTHORIZATION FROM GW INDUSTRIES INCORPORATED, SOUTHAMPTON, PENNSYLVANIA, USA.

| | | | | | | | | | |
|---|---|---|---|---|---|---|---|---|----|
| 1 | 2 | 3 | 4 | 5 | 6 | 7 | 8 | 9 | 10 |
|---|---|---|---|---|---|---|---|---|----|


| | | |
|---------------|------------------|--|
| B-FORMAT 2002 | REVISIONS | 0 RELEASED: 08-28-2010 DGW 08-25-2010 |
|---------------|------------------|--|

| | | |
|--|--|---|
| PDF FILE MADE | GW INDUSTRIES Southampton, Pa. 18966 | Title: CENTER OFF ROCKER SWITCH WITH OPTIONS |
| | TOLERANCES UNLESS OTHERWISE SPECIFIED | S.P.D.T. (MOM-OFF-MOM) |
| | 2 Place Decimal ±.010 METRIC | 1.125 x .550 PANEL |
| | 3 Place Decimal ±.005 | 1 Place Dec. ±.25mm |
| | Angles ±1' | 2 Place Dec. ±.13mm |
| Made for: CW IND. | Division: SWITCH | |
| Drawn by: DGW 7-28-2010 | Dwg. No. | |
| Checked by: <i>G. Guld 8-16-10</i> | GRS-2013C-XXXX | |
| Approval: <i>Edward R. ... 8-18-10</i> | | |

MASTER

Looking for pricing, stock, or lifecycle information?

Click below to explore more details on WIN SOURCE:

 [View GRS-2013C-1300](#) on WIN SOURCE

 [CW Industries](#) Information

Optimize Your Supply Chain with WIN SOURCE Solutions

-  Global Sourcing Solution
-  Obsolete Management
-  Cost Control Management
-  Shortage Management
-  Alternative Solution
-  Excess Inventory Management