



**THE DATASHEET OF
GEE99F-A-C**



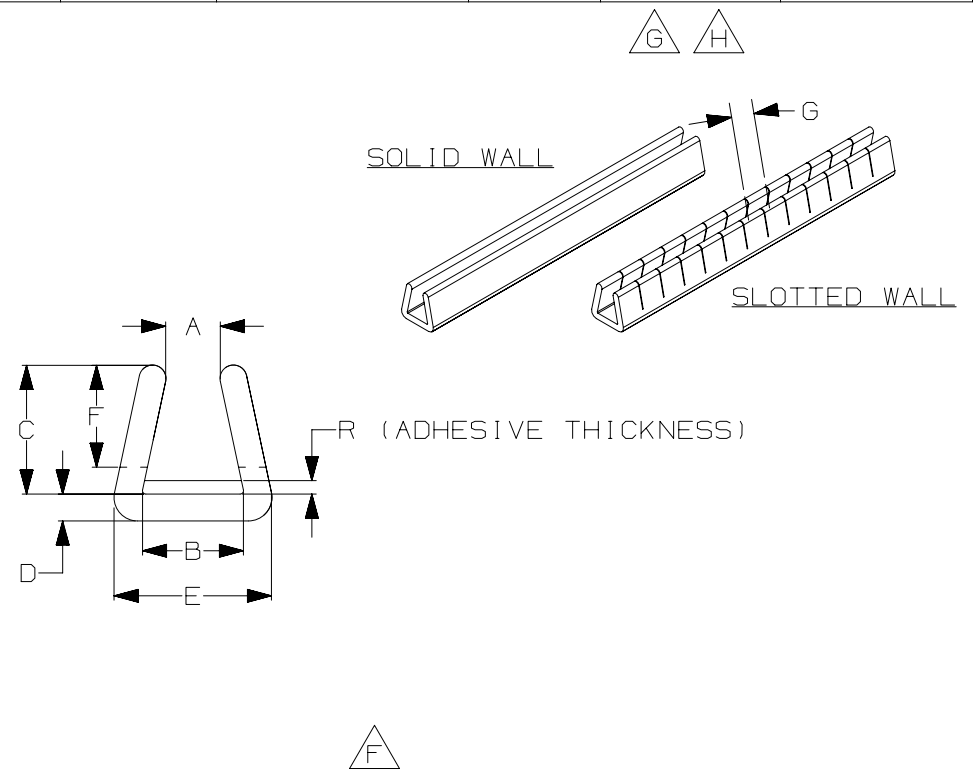
THIS COPY IS PROVIDED ON A RESTRICTED BASIS AND IS NOT TO BE USED IN ANY WAY DETRIMENTAL TO THE INTERESTS OF PANDUIT CORP.

PANDUIT PART NUMBER**	PANEL THICKNESS	A ± 0.013 (0.33)	B ± 0.015 (0.38)	C +0.020 (0.51) -0.015 (0.38)	D +0.020 (0.51) -0.015 (0.38)	E REF.	F ± TOL.	G REF.	R REF.	JIS PANEL DESIGNATION
GE_62F-A-C	0.036 - 0.062 (0.91 - 1.57)	0.031 (0.79)	0.070 (1.78)	0.130 (3.30)	0.030 (0.76)	0.131 (3.33)	0.105 +0.005 (0.13) (2.67) -0.025 (0.64)	0.150 (3.81)	0.015 - 0.055 (0.38 - 1.40)	012
GE_99F-A-C	0.062 - 0.099 (1.57 - 2.51)	0.049 (1.24)	0.108 (2.74)	0.155 (3.94)	0.030 (0.76)	0.169 (4.29)	0.125 +0.005 (0.13) (3.18) -0.025 (0.64)	0.150 (3.81)	0.015 - 0.055 (0.38 - 1.40)	016
GE_144F-A-C	0.099 - 0.144 (2.51 - 3.66)	0.080 (2.03)	0.152 (3.86)	0.192 (4.88)	0.030 (0.76)	0.213 (5.41)	0.160 +0.005 (0.13) (4.06) -0.035 (0.89)	0.150 (3.81)	0.015 - 0.055 (0.38 - 1.40)	024, 032

NOTES:

- * 1. DIM'S F & G APPLY ONLY TO SLOTTED GROMMET EDGING.
- ** 2. PART NO. EXAMPLE:

GE	S	62	F	-	A	-	C	O
GROMMET EDGING		MAX. PANEL THICKNESS		F=POLYETHYLENE		A=ADHESIVE		O WEATHER RESISTANT BLACK 100 FOOT ROLL
		IS-SOLID IE-SLOTTED						
- 3. SEE CURRENT PRICE SHEET FOR PART NO. SUFFIX DESIGNATION FOR PACKAGE SIZE.
- 4. COLOR: a) NATURAL
b) -O AFTER PART NO. DENOTES WEATHER RESISTANT BLACK
- 5. THE ADHESIVE WIDTH IS TO STRETCH COMPLETELY ACROSS THE PRODUCT PROFILE.
- 6. SLOTTED WALL STYLE IS RECOMMENDED FOR INSIDE PANEL CUT OUTS.
SOLID WALL STYLE IS RECOMMENDED FOR STRAIGHT, OUTSIDE EDGES.
- 7. REELS MAY CONTAIN A MAXIMUM OF THREE SPLICES
- 8. DIMENSIONS IN PARENTHESES ARE IN METRIC.



REV	DATE	BY	CHK	APR	DESCRIPTION	ECN
11	06.20.16	BDK	MRJS	RGRO	H. DIM. R FOR GE_62F-A-C, GE_99F-A-C AND GE_144F-A-C RESPECTIVELY WERE 0.030 (0.76), 0.027 (0.69) AND 0.036 (0.91)	GB0308BA
10	01-21-15	JBN	MRJS	RGRO	G. REVISED DIM. "R" F. REMOVED PRIOR REVISIONS MARKS- SEE PREVIOUS DRWG	GB0308BA

TITLE		ADHESIVE LINED GROMMET EDGING							
ITEM REVISION NAME		CUSTOMER DRAWING							
DATASET FILE NAME		G03597DN/03							
MATERIAL:		PANDUIT							
UNLESS OTHERWISE SPECIFIED, DIMENSIONAL TOLERANCES ARE: IN (mm)		SEE NOTE #2							
DRAWING NUMBER:		GB0308BA							
THIRD ANGLE PROJECTION	<table border="0"> <tr> <td> <table border="0"> <tr> <td>.X ±</td> <td>.XXX ±</td> </tr> <tr> <td>.XX ±</td> <td>ANGLES ±</td> </tr> </table> </td> <td style="text-align: center;"> </td> </tr> </table>			<table border="0"> <tr> <td>.X ±</td> <td>.XXX ±</td> </tr> <tr> <td>.XX ±</td> <td>ANGLES ±</td> </tr> </table>	.X ±	.XXX ±	.XX ±	ANGLES ±	
<table border="0"> <tr> <td>.X ±</td> <td>.XXX ±</td> </tr> <tr> <td>.XX ±</td> <td>ANGLES ±</td> </tr> </table>	.X ±	.XXX ±	.XX ±	ANGLES ±					
.X ±	.XXX ±								
.XX ±	ANGLES ±								
DRAWN BY	DATE	CHK	SCALE						
CPE	02-17-93		N.T.S.						
SHT 1 OF 1		A							

Looking for pricing, stock, or lifecycle information?

Click below to explore more details on WIN SOURCE:

 [View GEE99F-A-C on WIN SOURCE](#)

 [Panduit Corp](#) Information

Optimize Your Supply Chain with WIN SOURCE Solutions

-  Global Sourcing Solution
-  Obsolete Management
-  Cost Control Management
-  Shortage Management
-  Alternative Solution
-  Excess Inventory Management