



**THE DATASHEET OF  
DG542DJ-E3**



## Wideband/Video "T" Switches

### DESCRIPTION

The DG540, DG541, DG542 are high performance monolithic wideband/video switches designed for switching RF, video and digital signals. By utilizing a "T" switch configuration on each channel, these devices achieve exceptionally low crosstalk and high off-isolation. The crosstalk and off-isolation of the DG540 are further improved by the introduction of extra GND pins between signal pins. To achieve TTL compatibility, low channel capacitances and fast switching times, the DG540 family is built on the Vishay Siliconix proprietary D/CMOS process. Each switch conducts equally well in both directions when on.

### FEATURES

- Halogen-free according to IEC 61249-2-21 Definition
- Wide Bandwidth: 500 MHz
- Low Crosstalk: - 85 dB
- High Off-Isolation: - 80 dB at 5 MHz
- "T" Switch Configuration
- TTL and CMOS Logic Compatible
- Fast Switching -  $t_{ON}$ : 45 ns
- Low  $R_{DS(on)}$ : 30  $\Omega$
- Compliant to RoHS Directive 2002/95/EC



**RoHS**  
COMPLIANT  
HALOGEN  
**FREE**

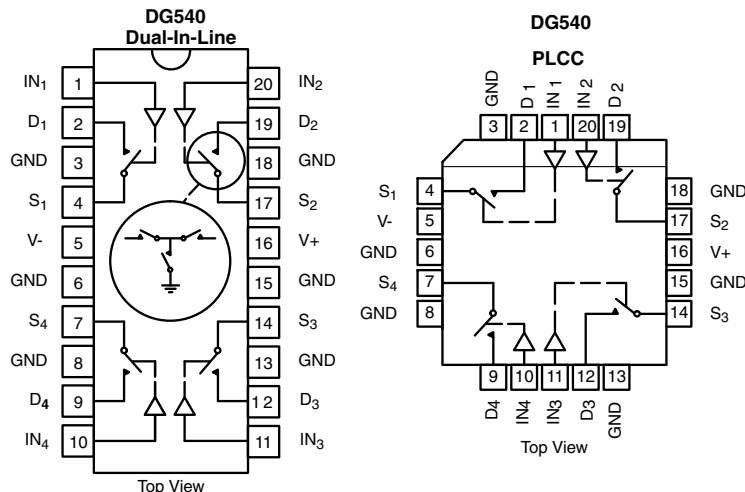
### BENEFITS

- Flat Frequency Response
- High Color Fidelity
- Low Insertion Loss
- Improved System Performance
- Reduced Board Space
- Reduced Power Consumption
- Improved Data Throughput

### APPLICATIONS

- RF and Video Switching
- RGB Switching
- Local and Wide Area Networks
- Video Routing
- Fast Data Acquisition
- ATE
- Radar/FLR Systems
- Video Multiplexing

### FUNCTIONAL BLOCK DIAGRAM AND PIN CONFIGURATION



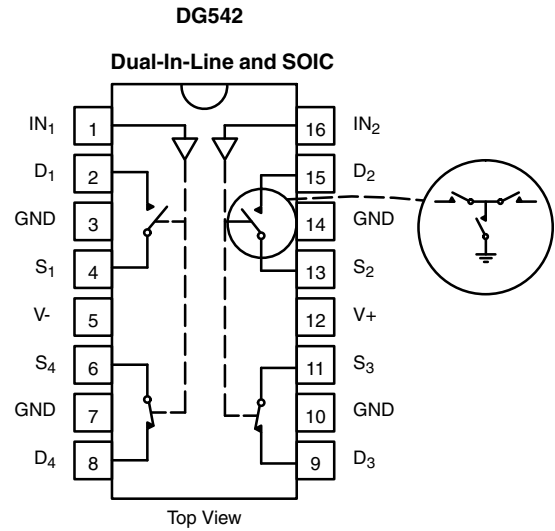
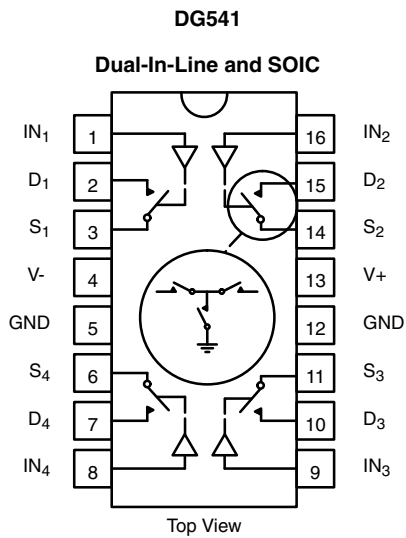
### TRUTH TABLE

| Logic | Switch |
|-------|--------|
| 0     | OFF    |
| 1     | ON     |

Logic "0"  $\leq 0.8$  V

Logic "1"  $\geq 2$  V

## FUNCTIONAL BLOCK DIAGRAM AND PIN CONFIGURATION



| TRUTH TABLE - DG541 |        |
|---------------------|--------|
| Logic               | Switch |
| 0                   | OFF    |
| 1                   | ON     |

Logic "0"  $\leq 0.8$  V  
 Logic "1"  $\geq 2$  V

| TRUTH TABLE - DG542 |                                   |                                   |
|---------------------|-----------------------------------|-----------------------------------|
| Logic               | SW <sub>1</sub> , SW <sub>2</sub> | SW <sub>3</sub> , SW <sub>4</sub> |
| 0                   | OFF                               | ON                                |
| 1                   | ON                                | OFF                               |

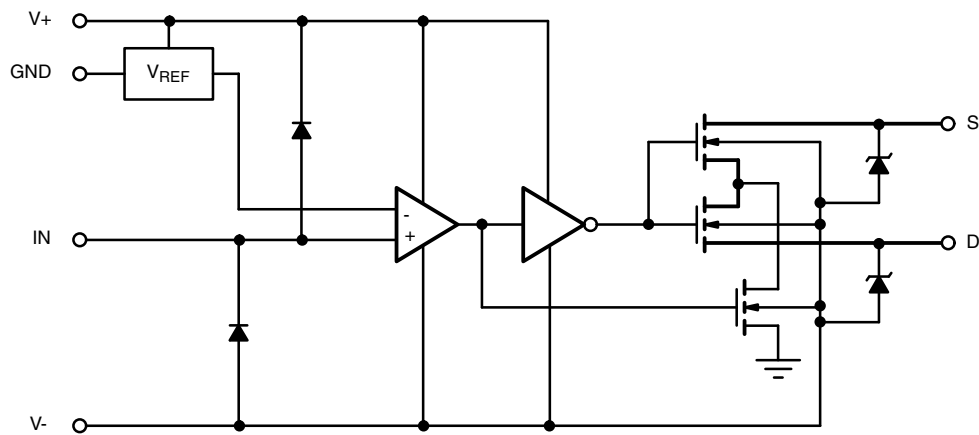
Logic "0"  $\leq 0.8$  V  
 Logic "1"  $\geq 2$  V

| ORDERING INFORMATION |                    |                               |
|----------------------|--------------------|-------------------------------|
| Temp Range           | Package            | Part Number                   |
| <b>DG540</b>         |                    |                               |
| - 40 to 85 °C        | 20-Pin Plastic DIP | DG540DJ-E3                    |
|                      | 20-Pin PLCC        | DG540DN-E3                    |
| - 55 to 125 °C       | 20-Pin Sidebrazed  | DG540AP                       |
|                      |                    | DG540AP/883                   |
| <b>DG541</b>         |                    |                               |
| - 40 to 85 °C        | 16-Pin Plastic DIP | DG541DJ-E3                    |
|                      | 16-Pin Narrow SOIC | DG541DY-T1-E3                 |
| - 55 to 125 °C       | 16-Pin Sidebrazed  | DG541AP                       |
|                      |                    | DG541AP/883, 5962-9076401MEA  |
| <b>DG542</b>         |                    |                               |
| - 40 to 85 °C        | 16-Pin Plastic DIP | DG542DJ-E3                    |
|                      | 16-Pin Narrow SOIC | DG542DY-T1-E3                 |
| - 55 to 125 °C       | 16-Pin Sidebrazed  | DG542AP                       |
|                      |                    | DG542AP/883, 5962-91555201MEA |

| <b>ABSOLUTE MAXIMUM RATINGS</b> ( $T_A = 25\text{ }^\circ\text{C}$ , unless otherwise noted) |   |        |  |                  |
|--|---|--------|--|------------------|
| Parameter  |   | Symbol | Limit  | Unit             |
| V+ to V-   |   |        | - 0.3 to 21  | V                |
| V+ to GND  |   |        | - 0.3 to 21  |                  |
| V- to GND  |   |        | - 19 to + 0.3  |                  |
| Digital Inputs   |   |        | (V-) - 0.3 to (V+) + 0.3<br>or 20 mA, whichever occurs first |                  |
| $V_S, V_D$   |   |        | (V-) - 0.3 to (V+) + 14<br>or 20 mA, whichever occurs first  |                  |
| Continuous Current (Any Terminal)  |   |        | 20   | mA               |
| Current, S or D (Pulsed at 1 ms, 10 % duty cycle max)  |   |        | 40   |                  |
| Storage Temperature  | (AP Suffix)                             |        | - 65 to 150  | $^\circ\text{C}$ |
|  | (DJ, DN, DY Suffixes)                   |        | - 65 to 125  |                  |
| Power Dissipation (Package) <sup>a</sup>   | 16-Pin Plastic DIP <sup>b</sup>         |        | 470  | mW               |
|  | 20-Pin Plastic DIP <sup>c</sup>         |        | 800  |                  |
|  | 16-Pin Narrow Body SOIC <sup>d</sup>    |        | 640  |                  |
|  | 20-Pin PLCC <sup>d</sup>                |        | 800  |                  |
|  | 16-, 20-Pin Sidebrazed DIP <sup>e</sup> |        | 900  |                  |

**Notes:**

- All leads welded or soldered to PC Board.
- Derate 6.5 mW/ $^\circ\text{C}$  above 25  $^\circ\text{C}$ .
- Derate 7 mW/ $^\circ\text{C}$  above 25  $^\circ\text{C}$ .
- Derate 10 mW/ $^\circ\text{C}$  above 75  $^\circ\text{C}$ .
- Derate 12 mW/ $^\circ\text{C}$  above 75  $^\circ\text{C}$ .

**SCHEMATIC DIAGRAM** (typical channel)

**Figure 1.**

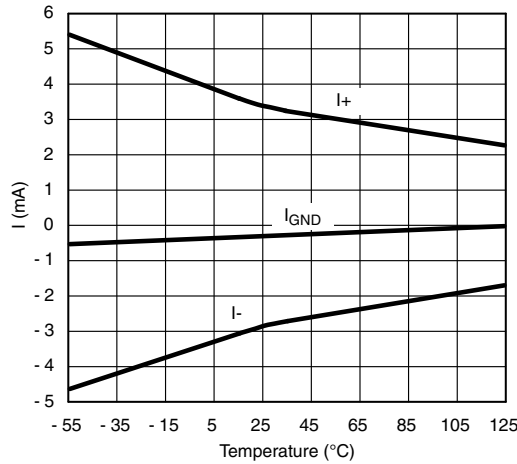
| SPECIFICATIONS <sup>a</sup>               |                                 |  |                    |                   |                               |                   |                                |                   |      |     |
|---|---------------------------------|--|--------------------|-------------------|-------------------------------|-------------------|--------------------------------|-------------------|------|-----|
| Parameter                                 | Symbol                          | Test Conditions<br>Unless Specified<br>V <sub>+</sub> = 15 V, V <sub>-</sub> = -3 V<br>V <sub>INH</sub> = 2 V, V <sub>INL</sub> = 0.8 V <sup>f</sup> | Temp. <sup>b</sup> | Typ. <sup>c</sup> | A Suffix<br>- 55 °C to 125 °C |                   | D Suffixes<br>- 40 °C to 85 °C |                   | Unit |     |
|   |                                 |  |                    |                   | Min. <sup>d</sup>             | Max. <sup>d</sup> | Min. <sup>d</sup>              | Max. <sup>d</sup> |      |     |
| <b>Analog Switch</b>                      |                                 |  |                    |                   |                               |                   |                                |                   |      |     |
| Analog Signal Range                       | V <sub>ANALOG</sub>             | V <sub>-</sub> = -5 V, V <sub>+</sub> = 12   | Full               |                   | - 5                           | 5                 | - 5                            | 5                 | V    |     |
| Drain-Source On-Resistance                | R <sub>D<sub>S(on)</sub></sub>  | I <sub>S</sub> = -10 mA, V <sub>D</sub> = 0 V  | Room               | 30                |                               | 60                |                                | 60                | Ω    |     |
| R <sub>D<sub>S(on)</sub></sub> Match      | ΔR <sub>D<sub>S(on)</sub></sub> |  | Full               |                   |                               | 100               |                                | 75                |      |     |
| Source Off Leakage Current                | I <sub>S(off)</sub>             | V <sub>S</sub> = 0 V, V <sub>D</sub> = 10 V  | Room               | - 0.05            | - 10                          | 10                | - 10                           | 10                | nA   |     |
| Drain Off Leakage Current                 | I <sub>D(off)</sub>             | V <sub>S</sub> = 10 V, V <sub>D</sub> = 0 V  | Full               |                   | - 500                         | 500               | - 100                          | 100               |      |     |
| Channel On Leakage Current                | I <sub>D(on)</sub>              | V <sub>S</sub> = V <sub>D</sub> = 0 V  | Full               | - 0.05            | - 10                          | 10                | - 10                           | 10                |      |     |
| <b>Digital Control</b>                    |                                 |  |                    |                   |                               |                   |                                |                   |      |     |
| Input Voltage High                        | V <sub>INH</sub>                |  | Full               |                   | 2                             |                   | 2                              |                   | V    |     |
| Input Voltage Low                         | V <sub>INL</sub>                |  | Full               |                   |                               | 0.8               |                                | 0.8               |      |     |
| Input Current                             | I <sub>IN</sub>                 | V <sub>IN</sub> = GND or V <sub>+</sub>  | Room               | 0.05              | - 1                           | 1                 | - 1                            | 1                 | μA   |     |
|   |                                 |  | Full               |                   | - 20                          | 20                | - 20                           | 20                |      |     |
| <b>Dynamic Characteristics</b>            |                                 |  |                    |                   |                               |                   |                                |                   |      |     |
| On State Input Capacitance <sup>e</sup>   | C <sub>S(on)</sub>              | V <sub>S</sub> = V <sub>D</sub> = 0 V  | Room               | 14                |                               | 20                |                                | 20                | pF   |     |
| Off State Input Capacitance <sup>e</sup>  | C <sub>S(off)</sub>             | V <sub>S</sub> = 0 V   | Room               | 2                 |                               | 4                 |                                | 4                 |      |     |
| Off State Output Capacitance <sup>e</sup> | C <sub>D(off)</sub>             | V <sub>D</sub> = 0 V   | Room               | 2                 |                               | 4                 |                                | 4                 |      |     |
| Bandwidth                                 | BW                              | R <sub>L</sub> = 50 Ω, See Figure 5  | Room               | 500               |                               |                   |                                |                   | MHz  |     |
| Turn-On Time                              | t <sub>ON</sub>                 | R <sub>L</sub> = 1 kΩ<br>C <sub>L</sub> = 35 pF<br>50 % to 90 %<br>See Figure 2  | DG540              | Room              | 45                            | 70                |                                | 70                | ns   |     |
|   |                                 |  | DG541              |                   |                               | Full              | 130                            |                   |      | 130 |
| Turn-Off Time                             | t <sub>OFF</sub>                |  | DG542              | Room              | Full                          | 55                |                                | 100               |      | 100 |
|   |                                 |  | DG540              |                   |                               | Room              | Full                           | 20                |      |     |
| DG541                                     |                                 | 85   |                    | 85                |                               |                   |                                |                   |      |     |
| DG542                                     | Room                            | Full   | 25                 |                   | 60                            |                   | 60                             | 85                |      |     |
| Charge Injection                          | Q                               | C <sub>L</sub> = 1000 pF, V <sub>S</sub> = 0 V<br>See Figure 3   | Room               | - 25              |                               |                   |                                |                   | pC   |     |
| Off Isolation                             | OIRR                            | R <sub>IN</sub> = 75 Ω, R <sub>L</sub> = 75 Ω<br>f = 5 MHz<br>See Figure 4   | DG540              | Room              | - 80                          |                   |                                |                   | dB   |     |
|   |                                 |  | DG541              | Room              | - 60                          |                   |                                |                   |      |     |
|   |                                 |  | DG542              | Room              | - 75                          |                   |                                |                   |      |     |
| All Hostile Crosstalk                     | X <sub>TALK(AH)</sub>           | R <sub>IN</sub> = 10 Ω, R <sub>L</sub> = 75 Ω<br>f = 5 MHz, See Figure 6   | Room               | - 85              |                               |                   |                                |                   |      |     |
| <b>Power Supplies</b>                     |                                 |  |                    |                   |                               |                   |                                |                   |      |     |
| Positive Supply Current                   | I <sub>+</sub>                  | All Channels On or Off   | Room               | 3.5               |                               | 6                 |                                | 6                 | mA   |     |
| Negative Supply Current                   | I <sub>-</sub>                  |  | Full               |                   | - 3.2                         | - 6               |                                | - 6               |      |     |
|   |                                 |  | Full               |                   | - 9                           |                   | - 9                            |                   |      |     |

Notes:

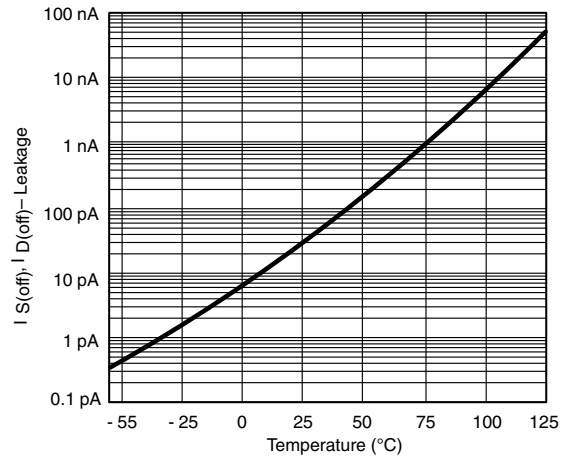
- Refer to PROCESS OPTION FLOWCHART .
- Room = 25 °C, full = as determined by the operating temperature suffix.
- Typical values are for DESIGN AID ONLY, not guaranteed nor subject to production testing.
- The algebraic convention whereby the most negative value is a minimum and the most positive a maximum, is used in this data sheet.
- Guaranteed by design, not subject to production test.
- V<sub>IN</sub> = input voltage to perform proper function.

Stresses beyond those listed under "Absolute Maximum Ratings" may cause permanent damage to the device. These are stress ratings only, and functional operation of the device at these or any other conditions beyond those indicated in the operational sections of the specifications is not implied. Exposure to absolute maximum rating conditions for extended periods may affect device reliability.

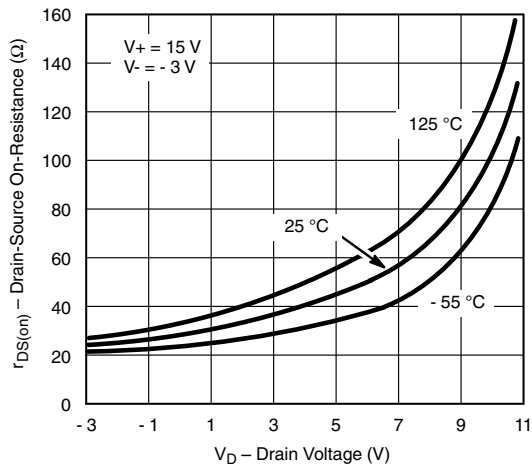
## TYPICAL CHARACTERISTICS ( $T_A = 25^\circ\text{C}$ , unless otherwise noted)



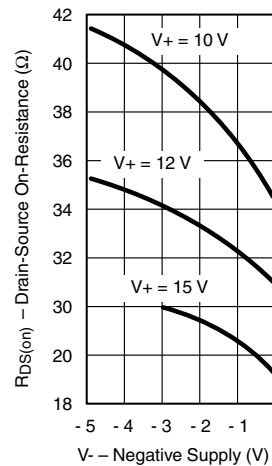
Supply Current vs. Temperature



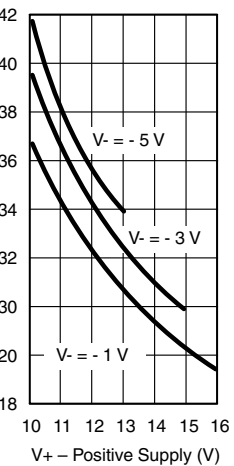
$I_{\text{D(off)}}$ ,  $I_{\text{S(off)}}$  vs. Temperature



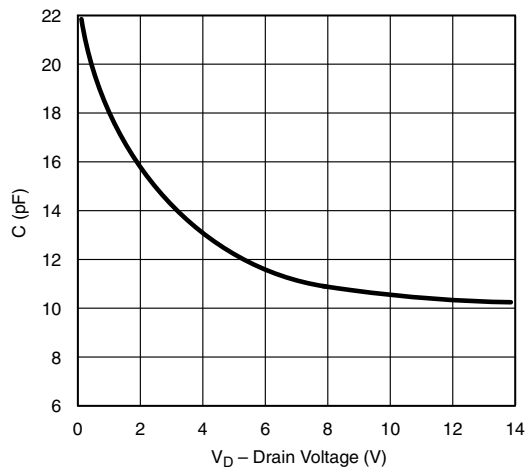
$R_{\text{DS(on)}}$  vs. Drain Voltage



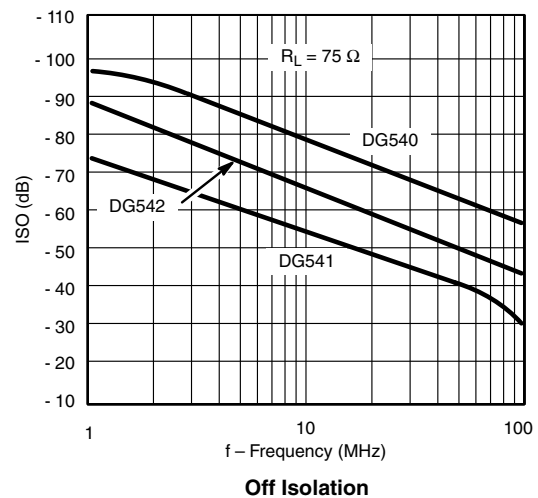
$V_+$  Constant



$V_-$  Constant

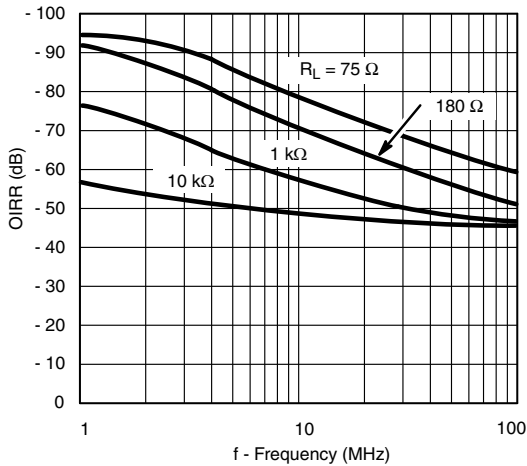


On Capacitance

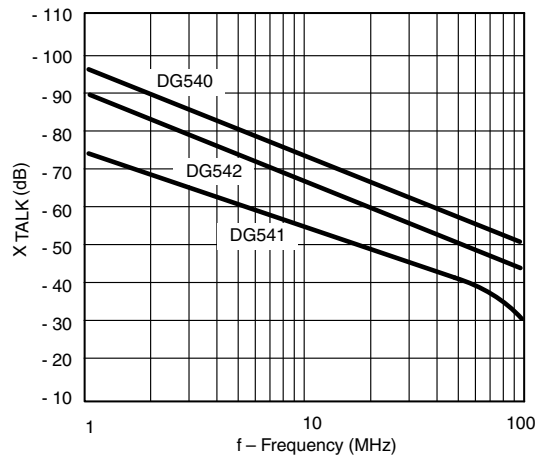


Off Isolation

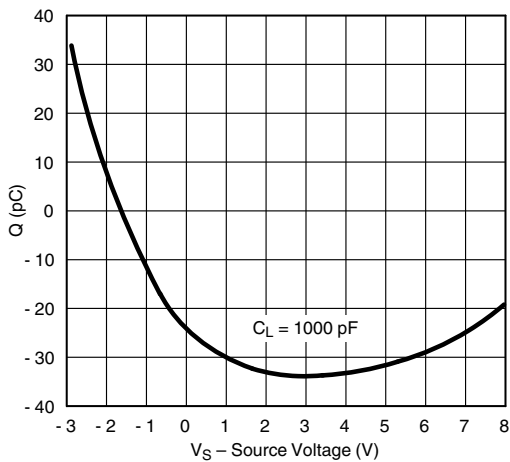
### TYPICAL CHARACTERISTICS ( $T_A = 25\text{ }^\circ\text{C}$ , unless otherwise noted)



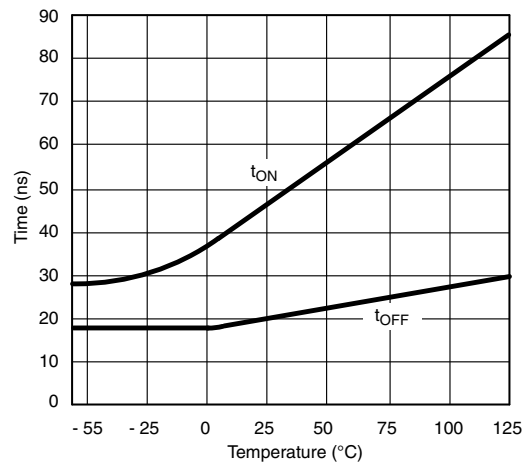
**Off Isolation vs. Frequency and Load Resistance (DG540)**



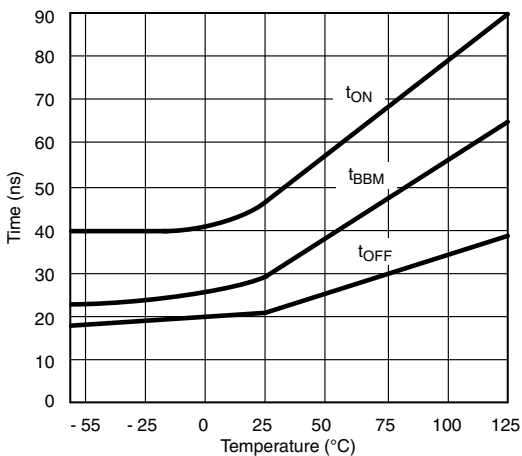
**All Hostile Crosstalk**



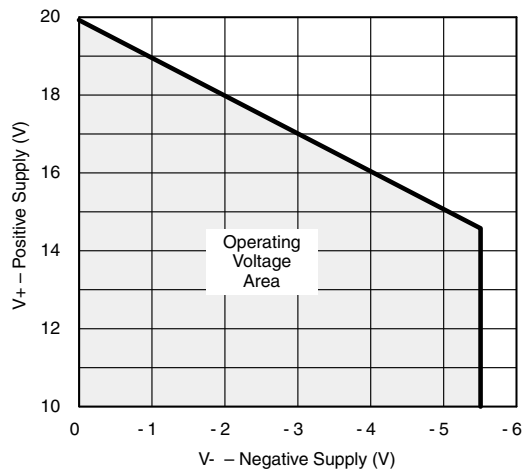
**Charge Injection vs.  $V_S$**



**Switching Times vs. Temperature (DG540/541)**



**Switching and Break-Before-Make Time vs. Temperature (DG542)**



**Operating Supply Voltage Range**

## TEST CIRCUITS

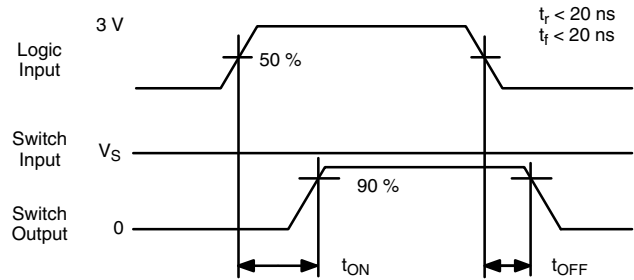
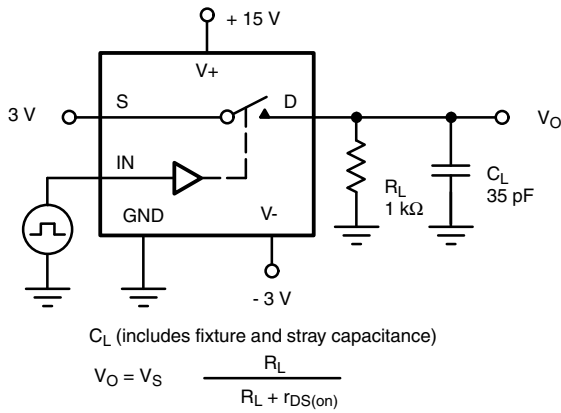
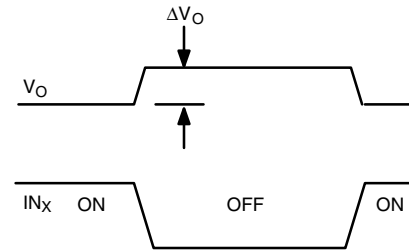
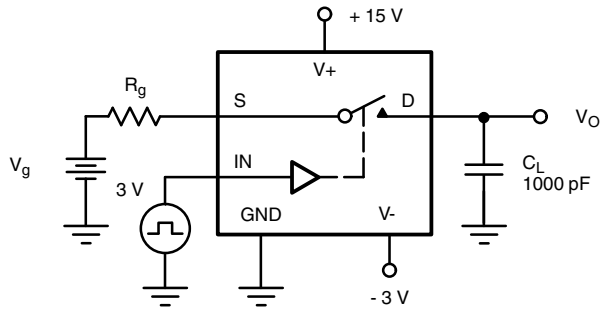


Figure 2. Switching Time



$\Delta V_O$  = measured voltage error due to charge injection  
The charge injection in coulombs is  $\Delta Q = C_L \times \Delta V_O$

Figure 3. Charge Injection

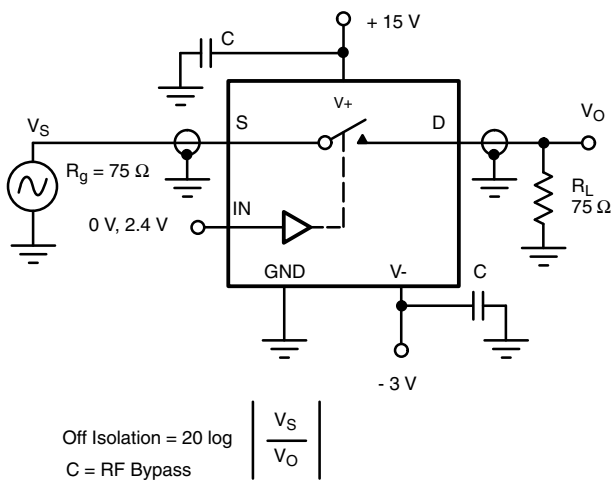


Figure 4. Off Isolation

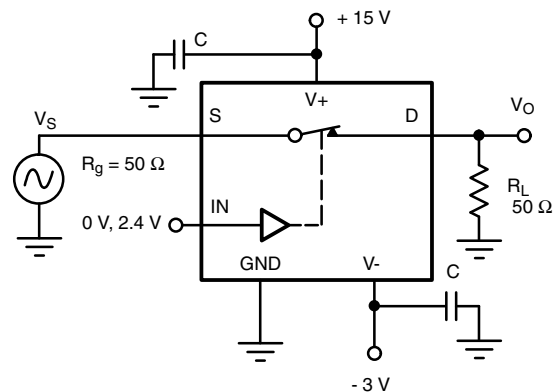


Figure 5. Bandwidth

## TEST CIRCUITS

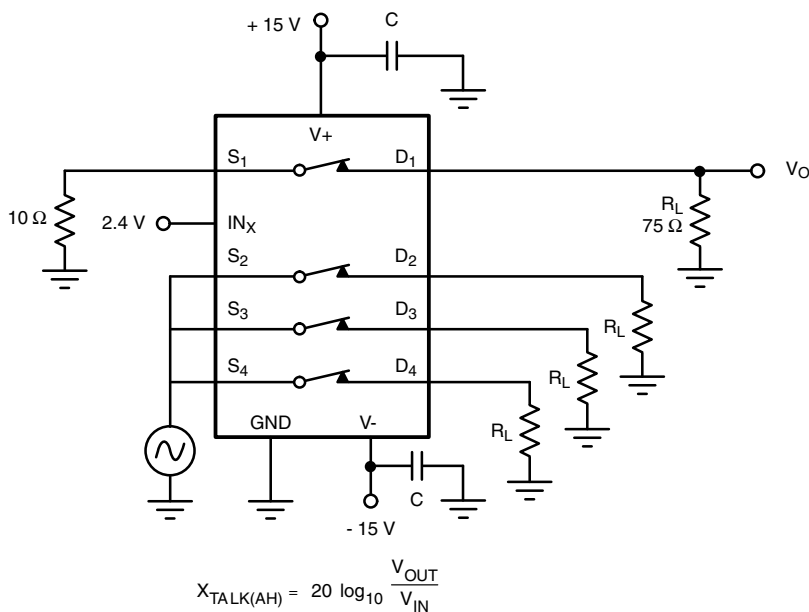


Figure 6. All Hostile Crosstalk

## APPLICATIONS

### Device Description

The DG540, DG541, DG542 family of wideband switches offers true bidirectional switching of high frequency analog or digital signals with minimum signal crosstalk, low insertion loss, and negligible non-linearity distortion and group delay. Built on the Siliconix D/CMOS process, these "T" switches provide excellent off-isolation with a bandwidth of around 500 MHz (350 MHz for DG541). Silicon-gate D/CMOS processing also yields fast switching speeds.

An on-chip regulator circuit maintains TTL input compatibility over the whole operating supply voltage range, easing control logic interfacing.

Circuit layout is facilitated by the interchangeability of source and drain terminals.

### Frequency Response

A single switch on-channel exhibits both resistance ( $R_{\text{DS(on)}}$ ) and capacitance ( $C_{\text{S(on)}}$ ). This RC combination has an attenuation effect on the analog signal – which is frequency dependent (like an RC low-pass filter). The -3-dB bandwidth of the DG540 is typically 500 MHz (into 50  $\Omega$ ). This measured figure of 500 MHz illustrates that the switch channel can not be represented by a two stage RC combination. The on capacitance of the channel is distributed along the on-resistance, and hence becomes a more complex multi stage network of R's and C's making up the total  $R_{\text{DS(on)}}$  and  $C_{\text{S(on)}}$ . See Application Note AN502 for more details.

### Off-Isolation and Crosstalk

Off-isolation and crosstalk are affected by the load resistance and parasitic inter-electrode capacitances. Higher off-isolation is achieved with lower values of  $R_{\text{L}}$ . However, low values of  $R_{\text{L}}$  increase insertion loss requiring gain adjustments down the line. Stray capacitances, even a fraction of 1 pF, can cause a large crosstalk increase. Good layout and ground shielding techniques can considerably improve your ac circuit performance.

## APPLICATIONS

### Power Supplies

A useful feature of the DG54X family is its power supply flexibility. It can be operated from a single positive supply (V+) if required (V- connected to ground).

Note that the analog signal must not exceed V- by more than -0.3 V to prevent forward biasing the substrate p-n junction.

The use of a V- supply has a number of advantages:

1. It allows flexibility in analog signal handling, i.e., with  $V_- = -5\text{ V}$  and  $V_+ = 12\text{ V}$ ; up to  $\pm 5\text{ V}$  ac signals can be controlled.
2. The value of on capacitance [ $C_{S(on)}$ ] may be reduced. A property known as 'the body-effect' on the DMOS switch devices causes various parametric effects to occur. One of these effects is the reduction in  $C_{S(on)}$  for an increasing V body-source. Note, however, that to increase V- normally requires V+ to be reduced (since  $V_+ \text{ to } V_- = 21\text{ V max.}$ ). Reduction in V+ causes an increase in  $R_{DS(on)}$ , hence a compromise has to be achieved. It is also useful to note that optimum video linearity performance (e.g., differential phase and gain) occurs when V- is around -3 V.
3. V- eliminates the need to bias the analog signal using potential dividers and large coupling capacitors.

### Decoupling

It is an established RF design practice to incorporate sufficient bypass capacitors in the circuit to decouple the power supplies to all active devices in the circuit. The dynamic performance of the DG54X is adversely affected by poor decoupling of power supply pins. Also, of even more significance, since the substrate of the device is connected to the negative supply, adequate decoupling of this pin is essential.

#### Rules:

1. Decoupling capacitors should be incorporated on all power supply pins (V+, V-). (See Figure 7.)
2. They should be mounted as close as possible to the device pins.
3. Capacitors should have good high frequency characteristics - tantalum bead and/or monolithic ceramic types are adequate. Suitable decoupling capacitors are 1- to 10  $\mu\text{F}$  tantalum bead, plus 10- to 100 nF ceramic.

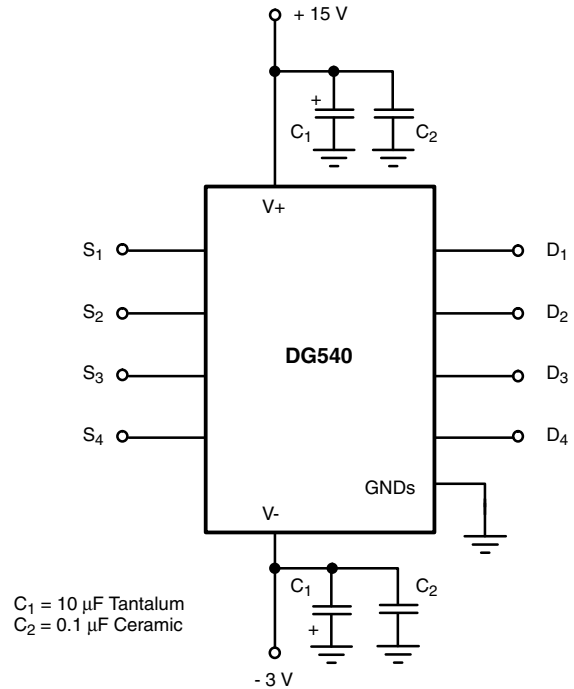


Figure 7. Supply Decoupling

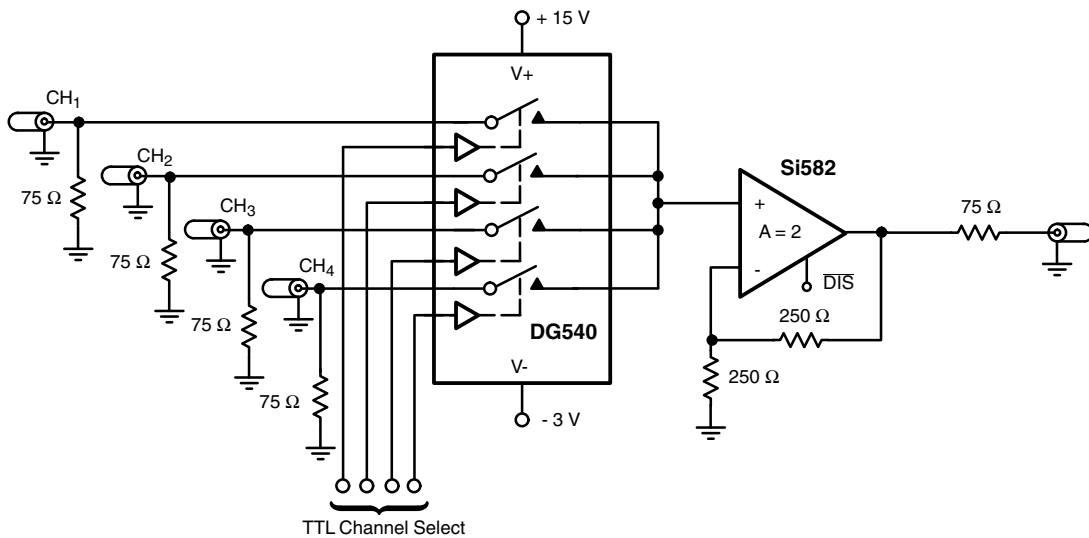
### Board Layout

PCB layout rules for good high frequency performance must be observed to achieve the performance boasted by the DG540. Some tips for minimizing stray effects are:

1. Use extensive ground planes on double sided PCB, separating adjacent signal paths. Multilayer PCB is even better.
2. Keep signal paths as short as practically possible, with all channel paths of near equal length.
3. Careful arrangement of ground connections is also very important. Star connected system grounds eliminate signal current flowing through ground path parasitic resistance from coupling between channels.

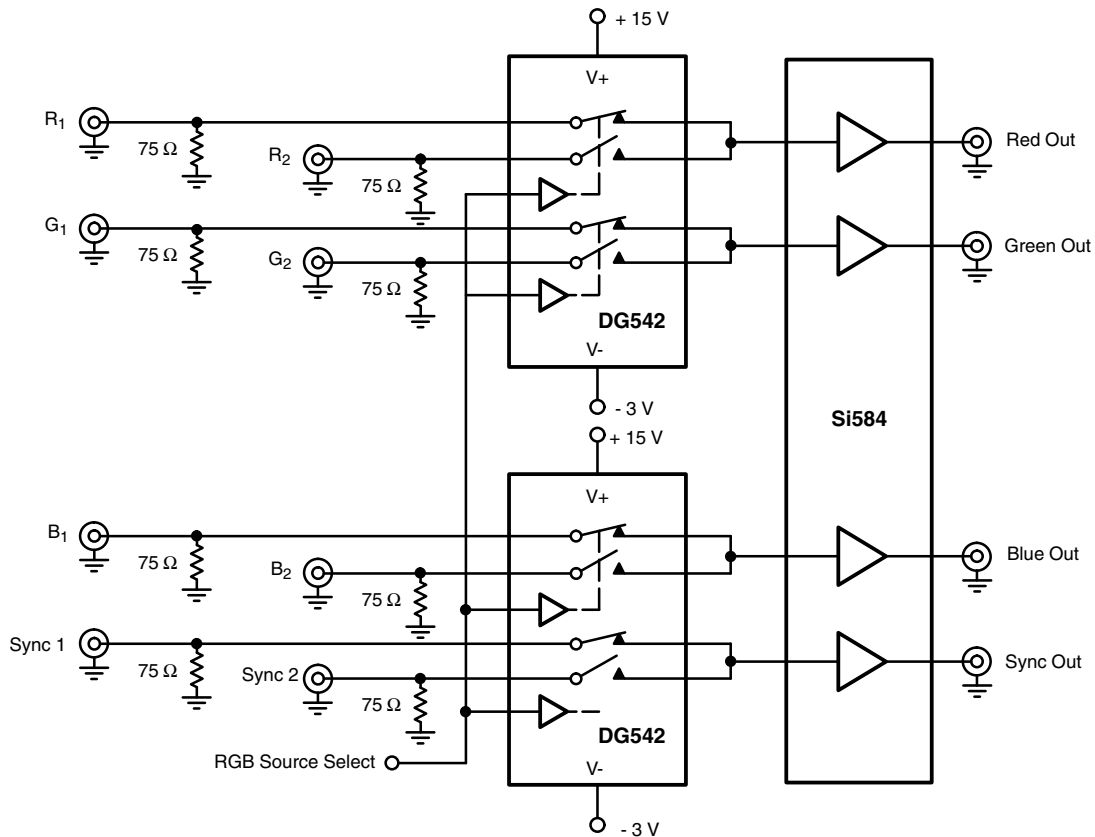
### APPLICATIONS

Figure 8 shows a 4 Channel video multiplexer using a DG540.



**Figure 8. 4 by 1 Video Multiplexing Using the DG540**

Figure 9 shows an RGB selector switch using two DG542s.

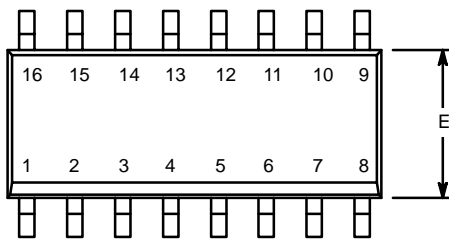


**Figure 9. RGB Selector Using Two DG542s**

Vishay Siliconix maintains worldwide manufacturing capability. Products may be manufactured at one of several qualified locations. Reliability data for Silicon Technology and Package Reliability represent a composite of all qualified locations. For related documents such as package/tape drawings, part marking, and reliability data, see [www.vishay.com/ppg?70055](http://www.vishay.com/ppg?70055).



**SOIC (NARROW): 16-LEAD**  
JEDEC Part Number: MS-012



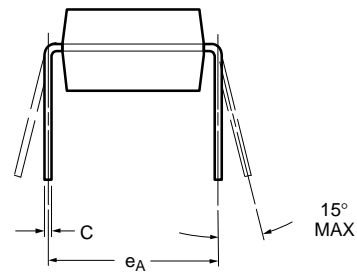
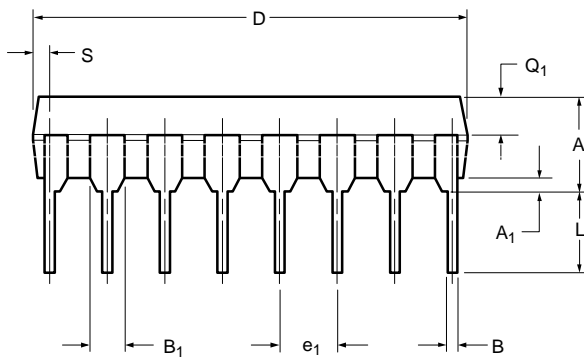
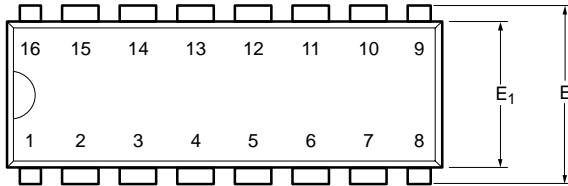
| Dim            | MILLIMETERS |       | INCHES    |       |
|----------------|-------------|-------|-----------|-------|
|                | Min         | Max   | Min       | Max   |
| A              | 1.35        | 1.75  | 0.053     | 0.069 |
| A <sub>1</sub> | 0.10        | 0.20  | 0.004     | 0.008 |
| B              | 0.38        | 0.51  | 0.015     | 0.020 |
| C              | 0.18        | 0.23  | 0.007     | 0.009 |
| D              | 9.80        | 10.00 | 0.385     | 0.393 |
| E              | 3.80        | 4.00  | 0.149     | 0.157 |
| e              | 1.27 BSC    |       | 0.050 BSC |       |
| H              | 5.80        | 6.20  | 0.228     | 0.244 |
| L              | 0.50        | 0.93  | 0.020     | 0.037 |
| ∅              | 0°          | 8°    | 0°        | 8°    |

ECN: S-03946—Rev. F, 09-Jul-01  
DWG: 5300





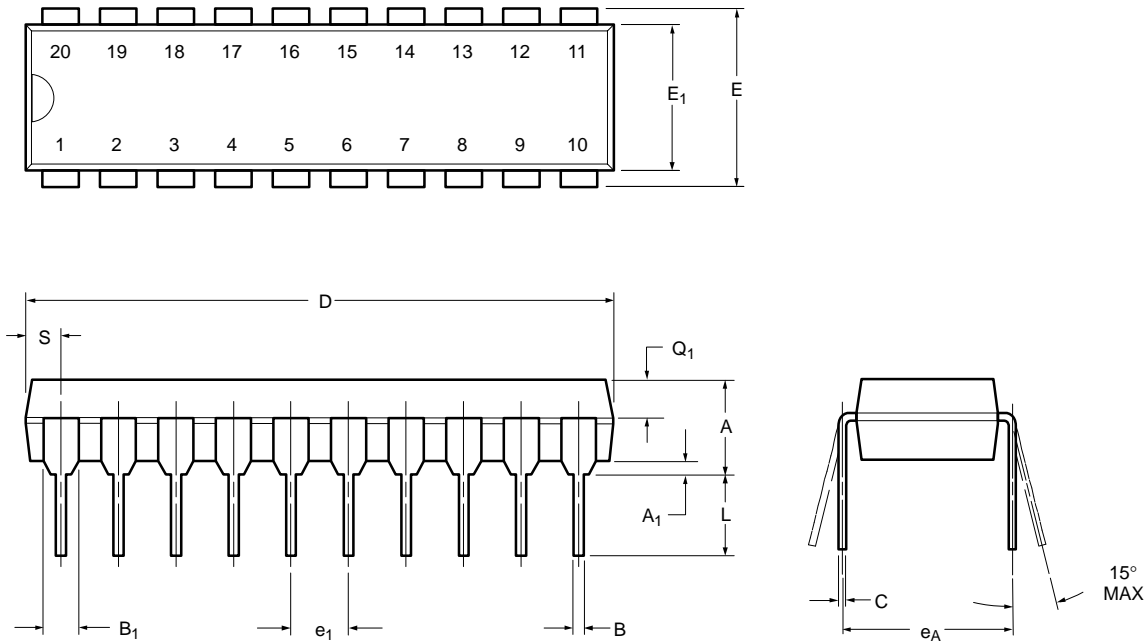
**PDIP: 16-LEAD**



| Dim                  | MILLIMETERS |       | INCHES |       |
|----------------------|-------------|-------|--------|-------|
|                      | Min         | Max   | Min    | Max   |
| <b>A</b>             | 3.81        | 5.08  | 0.150  | 0.200 |
| <b>A<sub>1</sub></b> | 0.38        | 1.27  | 0.015  | 0.050 |
| <b>B</b>             | 0.38        | 0.51  | 0.015  | 0.020 |
| <b>B<sub>1</sub></b> | 0.89        | 1.65  | 0.035  | 0.065 |
| <b>C</b>             | 0.20        | 0.30  | 0.008  | 0.012 |
| <b>D</b>             | 18.93       | 21.33 | 0.745  | 0.840 |
| <b>E</b>             | 7.62        | 8.26  | 0.300  | 0.325 |
| <b>E<sub>1</sub></b> | 5.59        | 7.11  | 0.220  | 0.280 |
| <b>e<sub>1</sub></b> | 2.29        | 2.79  | 0.090  | 0.110 |
| <b>e<sub>A</sub></b> | 7.37        | 7.87  | 0.290  | 0.310 |
| <b>L</b>             | 2.79        | 3.81  | 0.110  | 0.150 |
| <b>Q<sub>1</sub></b> | 1.27        | 2.03  | 0.050  | 0.080 |
| <b>S</b>             | 0.38        | 1.52  | .015   | 0.060 |

ECN: S-03946—Rev. D, 09-Jul-01  
DWG: 5482

### PDIP: 20-LEAD

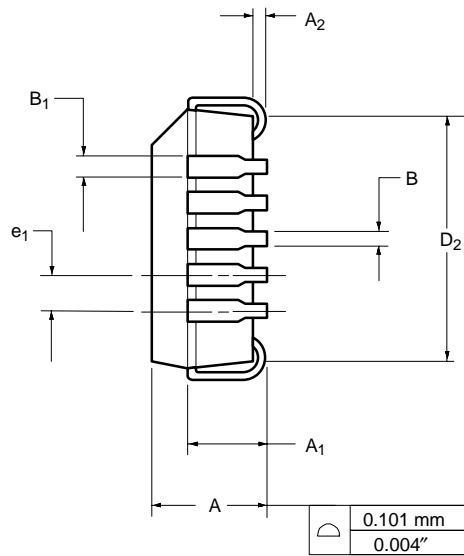
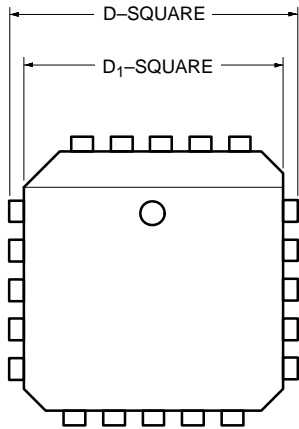


| Dim                  | MILLIMETERS |       | INCHES |       |
|----------------------|-------------|-------|--------|-------|
|                      | Min         | Max   | Min    | Max   |
| <b>A</b>             | 3.81        | 5.08  | 0.150  | 0.200 |
| <b>A<sub>1</sub></b> | 0.38        | 1.27  | 0.015  | 0.050 |
| <b>B</b>             | 0.38        | 0.51  | 0.015  | 0.020 |
| <b>B<sub>1</sub></b> | 0.89        | 1.65  | 0.035  | 0.065 |
| <b>C</b>             | 0.20        | 0.30  | 0.008  | 0.012 |
| <b>D</b>             | 24.89       | 26.92 | 0.980  | 1.060 |
| <b>E</b>             | 7.62        | 8.26  | 0.300  | 0.325 |
| <b>E<sub>1</sub></b> | 5.59        | 7.11  | 0.220  | 0.280 |
| <b>e<sub>1</sub></b> | 2.29        | 2.79  | 0.090  | 0.110 |
| <b>e<sub>A</sub></b> | 7.37        | 7.87  | 0.290  | 0.310 |
| <b>L</b>             | 3.175       | 3.81  | 0.123  | 0.150 |
| <b>Q<sub>1</sub></b> | 1.27        | 2.03  | 0.050  | 0.080 |
| <b>S</b>             | 1.02        | 2.03  | 0.040  | 0.080 |

ECN: S-03946—Rev. B, 09-Jul-01  
DWG: 5484



**PLCC: 20-LEAD**

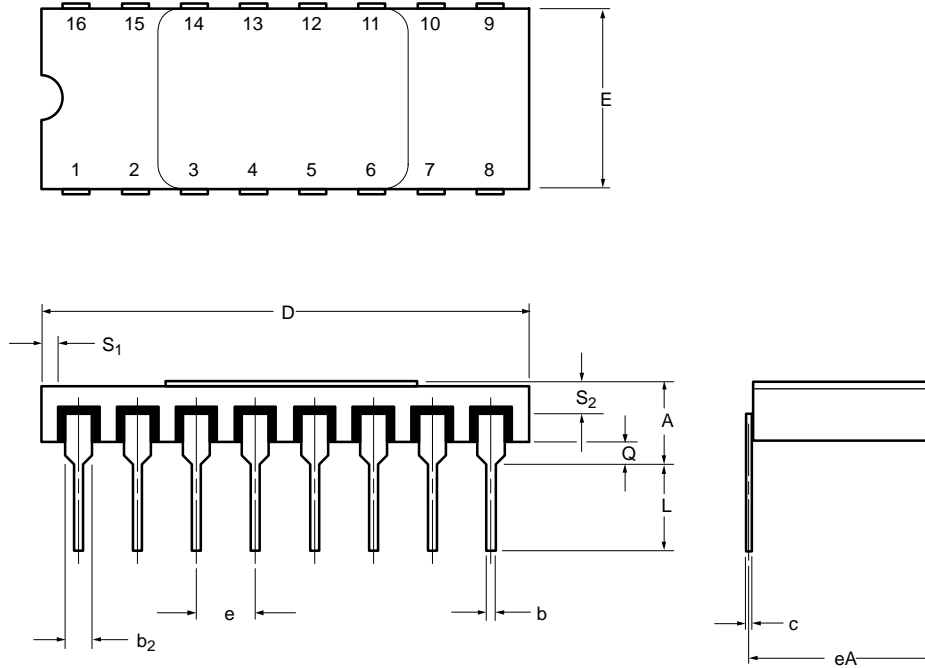


| Dim                  | MILLIMETERS |       | INCHES    |       |
|----------------------|-------------|-------|-----------|-------|
|                      | Min         | Max   | Min       | Max   |
| <b>A</b>             | 4.20        | 4.57  | 0.165     | 0.180 |
| <b>A<sub>1</sub></b> | 2.29        | 3.04  | 0.090     | 0.120 |
| <b>A<sub>2</sub></b> | 0.51        | –     | 0.020     | –     |
| <b>B</b>             | 0.331       | 0.553 | 0.013     | 0.021 |
| <b>B<sub>1</sub></b> | 0.661       | 0.812 | 0.026     | 0.032 |
| <b>D</b>             | 9.78        | 10.03 | 0.385     | 0.395 |
| <b>D<sub>1</sub></b> | 8.890       | 9.042 | 0.350     | 0.356 |
| <b>D<sub>2</sub></b> | 7.37        | 8.38  | 0.290     | 0.330 |
| <b>e<sub>1</sub></b> | 1.27 BSC    |       | 0.050 BSC |       |

ECN: S-03946—Rev. C, 09-Jul-01  
DWG: 5306



**SIDEBRAZE: 16-LEAD**



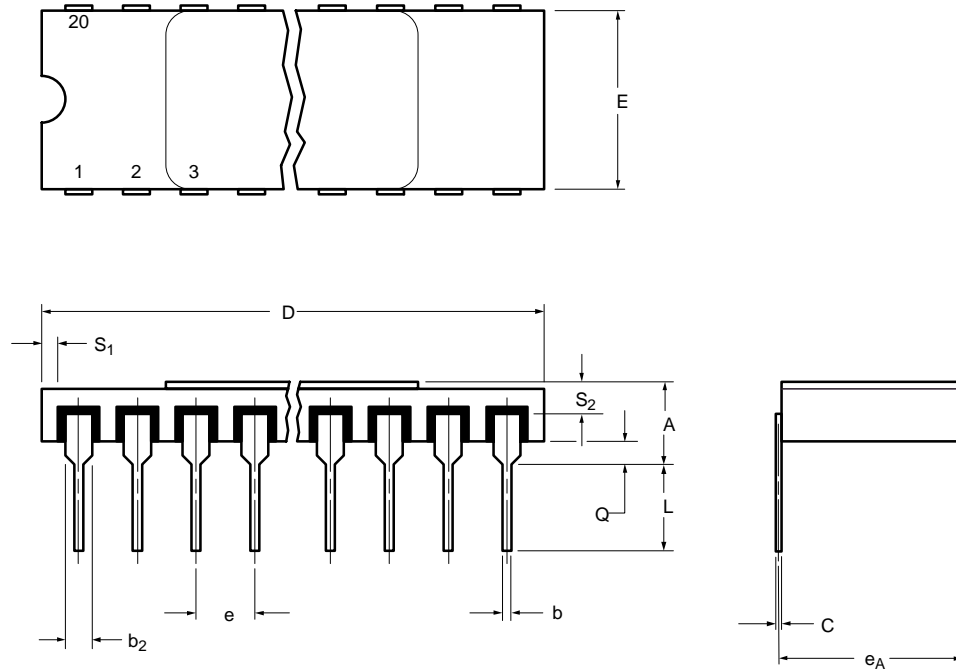
| Dim                  | MILLIMETERS |       | INCHES    |       |
|----------------------|-------------|-------|-----------|-------|
|                      | Min         | Max   | Min       | Max   |
| <b>A</b>             | 2.67        | 4.45  | 0.105     | 0.175 |
| <b>b</b>             | 0.38        | 0.53  | 0.015     | 0.021 |
| <b>b<sub>2</sub></b> | 1.14        | 1.65  | 0.045     | 0.065 |
| <b>c</b>             | 0.20        | 0.30  | 0.008     | 0.012 |
| <b>D</b>             | 19.56       | 21.08 | 0.770     | 0.830 |
| <b>E</b>             | 7.11        | 7.87  | 0.280     | 0.310 |
| <b>e</b>             | 2.54 BSC    |       | 0.100 BSC |       |
| <b>e<sub>A</sub></b> | 7.62 BSC    |       | 0.300 BSC |       |
| <b>L</b>             | 3.18        | 4.45  | 0.125     | 0.175 |
| <b>Q</b>             | 0.64        | 1.40  | 0.025     | 0.055 |
| <b>S<sub>2</sub></b> | 0.25        | –     | 0.010     | –     |
| <b>S<sub>1</sub></b> | 0.13        | –     | 0.005     | –     |

ECN: S-03946—Rev. G, 09-Jul-01  
DWG: 5418



**SIDBRAZE: 20-LEAD**

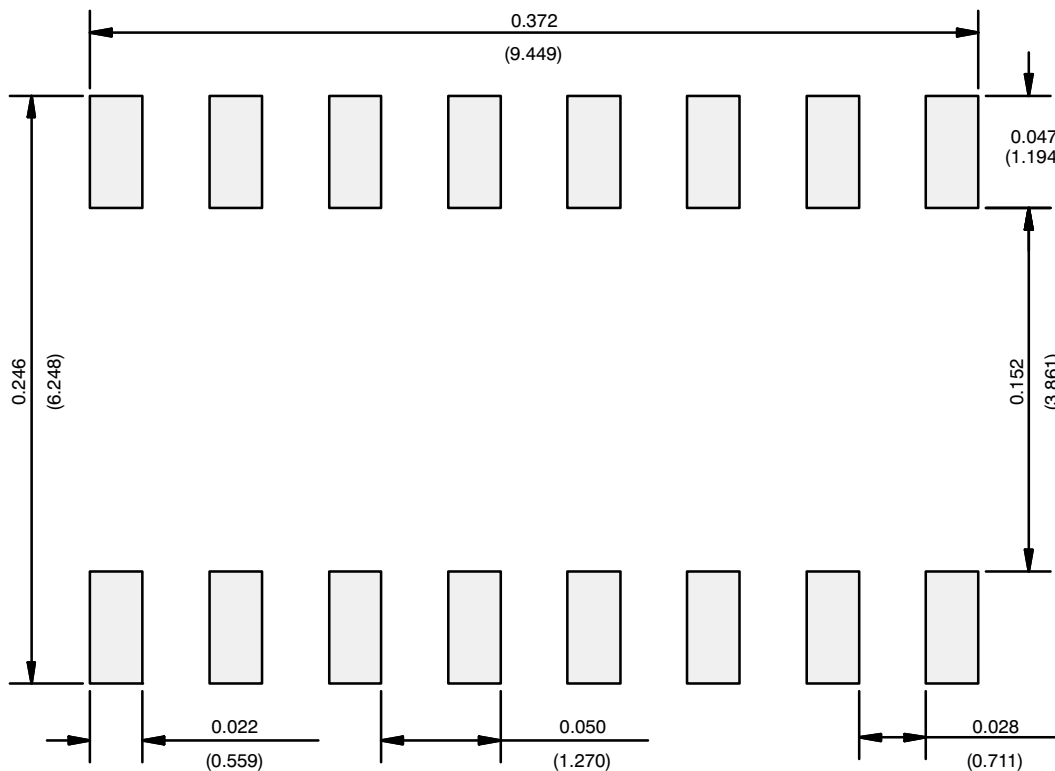
Meets MIL-STD-1835, D8, Configuration C



| Dim                  | MILLIMETERS |       | INCHES    |       |
|----------------------|-------------|-------|-----------|-------|
|                      | Min         | Max   | Min       | Max   |
| <b>A</b>             | 2.67        | 4.45  | 0.105     | 0.175 |
| <b>b</b>             | 0.38        | 0.53  | 0.015     | 0.021 |
| <b>b<sub>2</sub></b> | 1.14        | 1.65  | 0.045     | 0.065 |
| <b>c</b>             | 0.20        | 0.30  | 0.008     | 0.012 |
| <b>D</b>             | 24.89       | 26.16 | 0.980     | 1.030 |
| <b>E</b>             | 7.11        | 7.87  | 0.280     | 0.310 |
| <b>e</b>             | 2.54 BSC    |       | 0.100 BSC |       |
| <b>e<sub>A</sub></b> | 7.62 BSC    |       | 0.300 BSC |       |
| <b>L</b>             | 3.18        | 4.45  | 0.125     | 0.175 |
| <b>Q</b>             | 0.64        | 1.40  | 0.025     | 0.055 |
| <b>S<sub>2</sub></b> | 0.25        | –     | 0.010     | –     |
| <b>S<sub>1</sub></b> | 0.13        | –     | 0.005     | –     |

ECN: S-03946—Rev. D, 09-Jul-01  
DWG: 5309

## RECOMMENDED MINIMUM PADS FOR SO-16



Recommended Minimum Pads  
Dimensions in Inches/(mm)

[Return to Index](#)



## **Disclaimer**

ALL PRODUCT, PRODUCT SPECIFICATIONS AND DATA ARE SUBJECT TO CHANGE WITHOUT NOTICE TO IMPROVE RELIABILITY, FUNCTION OR DESIGN OR OTHERWISE.

Vishay Intertechnology, Inc., its affiliates, agents, and employees, and all persons acting on its or their behalf (collectively, "Vishay"), disclaim any and all liability for any errors, inaccuracies or incompleteness contained in any datasheet or in any other disclosure relating to any product.

Vishay makes no warranty, representation or guarantee regarding the suitability of the products for any particular purpose or the continuing production of any product. To the maximum extent permitted by applicable law, Vishay disclaims (i) any and all liability arising out of the application or use of any product, (ii) any and all liability, including without limitation special, consequential or incidental damages, and (iii) any and all implied warranties, including warranties of fitness for particular purpose, non-infringement and merchantability.

Statements regarding the suitability of products for certain types of applications are based on Vishay's knowledge of typical requirements that are often placed on Vishay products in generic applications. Such statements are not binding statements about the suitability of products for a particular application. It is the customer's responsibility to validate that a particular product with the properties described in the product specification is suitable for use in a particular application. Parameters provided in datasheets and / or specifications may vary in different applications and performance may vary over time. All operating parameters, including typical parameters, must be validated for each customer application by the customer's technical experts. Product specifications do not expand or otherwise modify Vishay's terms and conditions of purchase, including but not limited to the warranty expressed therein.

Except as expressly indicated in writing, Vishay products are not designed for use in medical, life-saving, or life-sustaining applications or for any other application in which the failure of the Vishay product could result in personal injury or death. Customers using or selling Vishay products not expressly indicated for use in such applications do so at their own risk. Please contact authorized Vishay personnel to obtain written terms and conditions regarding products designed for such applications.

No license, express or implied, by estoppel or otherwise, to any intellectual property rights is granted by this document or by any conduct of Vishay. Product names and markings noted herein may be trademarks of their respective owners.

## Looking for pricing, stock, or lifecycle information?

Click below to explore more details on WIN SOURCE:

 [View DG542DJ-E3 on WIN SOURCE](#)

 [Vishay Information](#)

## Optimize Your Supply Chain with WIN SOURCE Solutions

-  Global Sourcing Solution
-  Obsolete Management
-  Cost Control Management
-  Shortage Management
-  Alternative Solution
-  Excess Inventory Management