



**THE DATASHEET OF  
DG412CJ+**





# Improved, Quad, SPST Analog Switches

DG411/DG412/DG413

## General Description

Maxim's redesigned DG411/DG412/DG413 analog switches now feature low on-resistance matching between switches ( $3\Omega$  max) and guaranteed on-resistance flatness over the signal range ( $\Delta 4\Omega$  max). These low on-resistance switches conduct equally well in either direction. They guarantee low charge injection, low power consumption, and an ESD tolerance of 2000V minimum per Method 3015.7. The new design offers lower off-leakage current over temperature (less than 5nA at +85°C).

The DG411/DG412/DG413 are quad, single-pole/single-throw (SPST) analog switches. The DG411 is normally closed (NC), and the DG412 is normally open (NO). The DG413 has two NC switches and two NO switches. Switching times are less than 150ns max for  $t_{ON}$  and less than 100ns max for  $t_{OFF}$ . These devices operate from a single +10V to +30V supply, or bipolar  $\pm 4.5V$  to  $\pm 20V$  supplies. Maxim's improved DG411/DG412/DG413 are fabricated with a 44V silicon-gate process.

## Applications

- |                            |                          |
|----------------------------|--------------------------|
| Sample-and-Hold Circuits   | Communication Systems    |
| Test Equipment             | Battery-Operated Systems |
| Heads-Up Displays          | PBX, PABX                |
| Guidance & Control Systems | Audio Signal Routing     |
| Military Radios            |                          |

## New Features

- ◆ Plug-In Upgrade for Industry-Standard DG411/DG412/DG413
- ◆ Improved  $R_{DS(ON)}$  Match Between Channels ( $3\Omega$  max)
- ◆ Guaranteed  $R_{FLAT(ON)}$  Over Signal Range ( $\Delta 4\Omega$ )
- ◆ Improved Charge Injection (10pC max)
- ◆ Improved Off-Leakage Current Over Temperature (< 5nA at +85°C)
- ◆ Withstand Electrostatic Discharge (2000V min) per Method 3015.7

## Existing Features

- ◆ Low  $R_{DS(ON)}$  ( $35\Omega$  max)
- ◆ Single-Supply Operation +10V to +30V
- ◆ Bipolar-Supply Operation  $\pm 4.5V$  to  $\pm 20V$
- ◆ Low Power Consumption ( $35\mu W$  max)
- ◆ Rail-to-Rail Signal Handling
- ◆ TTL/CMOS-Logic Compatible

## Ordering Information

| PART     | TEMP RANGE     | PIN-PACKAGE    |
|----------|----------------|----------------|
| DG411CJ  | 0°C to +70°C   | 16 Plastic DIP |
| DG411CUE | 0°C to +70°C   | 16 TSSOP       |
| DG411EUE | -40°C to +85°C | 16 TSSOP       |
| DG411CY  | 0°C to +70°C   | 16 Narrow SO   |
| DG411C/D | 0°C to +70°C   | Dice†          |

Ordering Information continued at end of data sheet.

†Contact factory for dice specifications.

## Pin Configurations/Functional Diagrams/Truth Tables

TOP VIEW

**DIP/SO/TSSOP**  
DG411

| LOGIC | SWITCH |
|-------|--------|
| 0     | ON     |
| 1     | OFF    |

**DIP/SO/TSSOP**  
DG412

| LOGIC | SWITCH |
|-------|--------|
| 0     | OFF    |
| 1     | ON     |

**DIP/SO/TSSOP**  
DG413

| LOGIC | SWITCHES 1, 4 | SWITCHES 2, 3 |
|-------|---------------|---------------|
| 0     | OFF           | ON            |
| 1     | ON            | OFF           |

SWITCHES SHOWN FOR LOGIC "0" INPUT

Pin Configurations and Functional Diagrams continued at end of data sheet.

# Improved, Quad, SPST Analog Switches

## ABSOLUTE MAXIMUM RATINGS

(All Voltages Referenced to V-.)

|  |   |
|--|---|
| V+   | .....44V  |
| GND  | .....25V  |
| V <sub>L</sub>   | .....(GND -0.3V) to (V+ +0.3V)                                |
| Digital Inputs, V <sub>S</sub> , V <sub>D</sub> (Note 1) | .....(V- -2V) to (V+ +2V) or 30mA<br>(whichever occurs first) |
| Continuous Current (any terminal)                        | .....30mA   |
| Peak Current<br>(pulsed at 1ms, 10% duty cycle max)      | .....100mA  |

Continuous Power Dissipation (T<sub>A</sub> = +70°C)

|  |             |
|--|-------------|
| 16-Pin Plastic DIP (derate 10.53mW/°C above +70°C) | .842mW      |
| 16-Pin Narrow SO (derate 8.70mW/°C above +70°C)    | ...696mW    |
| 16-Pin CERDIP (derate 10.00mW/°C above +70°C)      | .....800mW  |
| 16-Pin TSSOP (derate 6.7mW/°C above +70°C)         | .....457mW  |
| 16-Pin QFN (derate 19.2mW/°C above +70°C)          | .....1538mW |

Operating Temperature Ranges

|                                   |                      |
|-----------------------------------|----------------------|
| DG41_C                            | .....0°C to +70°C    |
| DG41_D                            | .....-40°C to +85°C  |
| DG41_AK                           | .....-55°C to +125°C |
| Storage Temperature Range         | .....-65°C to +150°C |
| Lead Temperature (soldering, 10s) | .....+300°C          |

**Note 1:** Signals on S, D, or IN exceeding V+ or V- are clamped by internal diodes. Limit forward current to maximum current rating.

Stresses beyond those listed under "Absolute Maximum Ratings" may cause permanent damage to the device. These are stress ratings only, and functional operation of the device at these or any other conditions beyond those indicated in the operational sections of the specifications is not implied. Exposure to absolute maximum rating conditions for extended periods may affect device reliability.

## ELECTRICAL CHARACTERISTICS—Dual Supplies

(V+ = 15V, V- = -15V, V<sub>L</sub> = 5V, V<sub>GND</sub> = 0V, V<sub>INH</sub> = 2.4V, V<sub>INL</sub> = 0.8V, T<sub>A</sub> = T<sub>MIN</sub> to T<sub>MAX</sub>, unless otherwise noted.)

| PARAMETER                                     | SYMBOL  | CONDITIONS   |   | MIN   | TYP<br>(Note 2) | MAX   | UNITS |    |
|---|---|--|---|---|-----------------|-------|-------|----|
| <b>SWITCH</b>                                 |   |  |   |   |                 |       |       |    |
| Analog Signal Range                           | V <sub>ANALOG</sub>                           | (Note 3)   |   | -15   |                 | 15    | V     |    |
| Drain-Source On-Resistance                    | R <sub>DS(ON)</sub>                           | V+ = 13.5V,<br>V- = -13.5V,<br>V <sub>D</sub> = ±8.5V,<br>I <sub>S</sub> = -10mA   | T <sub>A</sub> = +25°C                                | C, D  | 17              | 45    | Ω     |    |
|   |   |  |   | A   | 17              | 30    |       |    |
|   |   |  | T <sub>A</sub> = T <sub>MIN</sub> to T <sub>MAX</sub> |   |                 | 45    |       |    |
| On-Resistance Match Between Channels (Note 4) | ΔR <sub>DS(ON)</sub>                          | V+ = 15V, V- = -15V,<br>V <sub>D</sub> = ±10V,<br>I <sub>S</sub> = -10mA           | T <sub>A</sub> = +25°C                                |   |                 | 3     | Ω     |    |
|   |   |  |   | T <sub>A</sub> = T <sub>MIN</sub> to T <sub>MAX</sub> |                 | 5     |       |    |
| On-Resistance Flatness (Note 4)               | R <sub>FLAT(ON)</sub>                         | V+ = 15V, V- = -15V,<br>V <sub>D</sub> = ±5V, 0V,<br>I <sub>S</sub> = -10mA        | T <sub>A</sub> = +25°C                                |   |                 | 4     | Ω     |    |
|   |   |  |   | T <sub>A</sub> = T <sub>MIN</sub> to T <sub>MAX</sub> |                 | 6     |       |    |
| Source Off-Leakage Current (Note 7)           | I <sub>S(OFF)</sub>                           | V+ = 16.5V,<br>V- = -16.5V,<br>V <sub>D</sub> = ±15.5V,<br>V <sub>S</sub> = ±15.5V | T <sub>A</sub> = +25°C                                | C, D, A   | -0.25           | -0.10 | 0.25  | nA |
|   |   |  |   | C, D  | -5              |       | 5     |    |
|   |   |  |   | A   | -10             |       | 10    |    |
| Drain Off-Leakage Current (Note 7)            | I <sub>D(OFF)</sub>                           | V+ = 16.5V,<br>V- = -16.5V,<br>V <sub>D</sub> = ±15.5V,<br>V <sub>S</sub> = ±15.5V | T <sub>A</sub> = +25°C                                | C, D, A   | -0.25           | -0.10 | 0.25  | nA |
|   |   |  |   | C, D  | -5              |       | 5     |    |
|   |   |  |   | A   | -10             |       | 10    |    |
| Drain On-Leakage Current (Note 7)             | I <sub>D(ON)</sub><br>+<br>I <sub>S(ON)</sub> | V+ = 16.5V,<br>V- = -16.5V,<br>V <sub>D</sub> = ±15.5V,<br>V <sub>S</sub> = ±15.5V | T <sub>A</sub> = +25°C                                | C, D, A   | -0.4            | -0.1  | 0.4   | nA |
|   |   |  |   | C, D  | -20             |       | 20    |    |
|   |   |  |   | A   | -40             |       | 40    |    |

# Improved, Quad, SPST Analog Switches

**DG411/DG412/DG413**

## ELECTRICAL CHARACTERISTICS—Dual Supplies (continued)

(V<sub>+</sub> = 15V, V<sub>-</sub> = -15V, V<sub>L</sub> = 5V, V<sub>GND</sub> = 0V, V<sub>INH</sub> = 2.4V, V<sub>INL</sub> = 0.8V, T<sub>A</sub> = T<sub>MIN</sub> to T<sub>MAX</sub>, unless otherwise noted.)

| PARAMETER                             | SYMBOL                                     | CONDITIONS   | MIN   | TYP<br>(Note 2) | MAX     | UNITS |    |
|---------------------------------------|--|--|---|-----------------|---------|-------|----|
| <b>INPUT</b>                          |  |  |   |                 |         |       |    |
| Input Current with Input Voltage High | I <sub>INH</sub>                           | I <sub>N</sub> = 2.4V, all others = 0.8V   | -0.500  | 0.005           | 0.500   | μA    |    |
| Input Current with Input Voltage Low  | I <sub>INL</sub>                           | I <sub>N</sub> = 0.8V, all others = 2.4V   | -0.500  | 0.005           | 0.500   | μA    |    |
| <b>SUPPLY</b>                         |  |  |   |                 |         |       |    |
| Power-Supply Range                    |  |  | ±4.5  |                 | ±20.0   | V     |    |
| Positive Supply Current               | I <sub>+</sub>                             | All channels on or off,<br>V <sub>+</sub> = 16.5V,<br>V <sub>-</sub> = -16.5V,<br>V <sub>IN</sub> = 0V or 5V | T <sub>A</sub> = +25°C                                | -1              | 0.0001  | 1     | μA |
|                                       |  |  | T <sub>A</sub> = T <sub>MIN</sub> to T <sub>MAX</sub> | -5              |         | 5     |    |
| Negative Supply Current               | I <sub>-</sub>                             | All channels on or off,<br>V <sub>+</sub> = 16.5V,<br>V <sub>-</sub> = -16.5V,<br>V <sub>IN</sub> = 0V or 5V | T <sub>A</sub> = +25°C                                | -1              | -0.0001 | 1     | μA |
|                                       |  |  | T <sub>A</sub> = T <sub>MIN</sub> to T <sub>MAX</sub> | -5              |         | 5     |    |
| Logic Supply Current                  | I <sub>L</sub>                             | All channels on or off,<br>V <sub>+</sub> = 16.5V,<br>V <sub>-</sub> = -16.5V,<br>V <sub>IN</sub> = 0V or 5V | T <sub>A</sub> = +25°C                                | -1              | 0.0001  | 1     | μA |
|                                       |  |  | T <sub>A</sub> = T <sub>MIN</sub> to T <sub>MAX</sub> | -5              |         | 5     |    |
| Ground Current                        | I <sub>GND</sub>                           | All channels on or off,<br>V <sub>+</sub> = 16.5V,<br>V <sub>-</sub> = -16.5V,<br>V <sub>IN</sub> = 0V or 5V | T <sub>A</sub> = +25°C                                | -1              | -0.0001 | 1     | μA |
|                                       |  |  | T <sub>A</sub> = T <sub>MIN</sub> to T <sub>MAX</sub> | -5              |         | 5     |    |
| <b>DYNAMIC</b>                        |  |  |   |                 |         |       |    |
| Turn-On Time                          | t <sub>ON</sub>                            | V <sub>D</sub> = ±10V,<br>Figure 2   | T <sub>A</sub> = +25°C                                | 110             | 175     | ns    |    |
|                                       |  |  | T <sub>A</sub> = T <sub>MIN</sub> to T <sub>MAX</sub> |                 | 220     |       |    |
| Turn-Off Time                         | t <sub>OFF</sub>                           | V <sub>D</sub> = ±10V,<br>Figure 2   | T <sub>A</sub> = +25°C                                | 100             | 145     | ns    |    |
|                                       |  |  | T <sub>A</sub> = T <sub>MIN</sub> to T <sub>MAX</sub> |                 | 160     |       |    |
| Break-Before-Make Time Delay          | t <sub>D</sub>                             | DG413 only,<br>R <sub>L</sub> = 300Ω,<br>C <sub>L</sub> = 35pF, Figure 3                                     | T <sub>A</sub> = +25°C                                | 25              |         | ns    |    |
| Charge Injection (Note 3)             | Q  | C <sub>L</sub> = 1.0nF,<br>V <sub>GEN</sub> = 0V,<br>R <sub>GEN</sub> = 0Ω, Figure 4                         | T <sub>A</sub> = +25°C                                | 5               | 10      | pC    |    |
| Off-Isolation (Note 5)                | OIRR                                       | R <sub>L</sub> = 50Ω,<br>C <sub>L</sub> = 5pF,<br>f = 1MHz, Figure 5   | T <sub>A</sub> = +25°C                                | 68              |         | dB    |    |
| Crosstalk (Note 6)                    |  | R <sub>L</sub> = 50Ω,<br>C <sub>L</sub> = 5pF,<br>f = 1MHz, Figure 6   | T <sub>A</sub> = +25°C                                | 85              |         | dB    |    |
| Source Off-Capacitance                | C <sub>S(OFF)</sub>                        | f = 1MHz, Figure 7   | T <sub>A</sub> = +25°C                                | 9               |         | pF    |    |
| Drain Off-Capacitance                 | C <sub>D(OFF)</sub>                        | f = 1MHz, Figure 7   | T <sub>A</sub> = +25°C                                | 9               |         | pF    |    |
| Drain On-Capacitance                  | C <sub>D(ON)</sub> +<br>C <sub>S(ON)</sub> | f = 1MHz, Figure 8   | T <sub>A</sub> = +25°C                                | 35              |         | pF    |    |

# Improved, Quad, SPST Analog Switches

## ELECTRICAL CHARACTERISTICS—Single Supply

(V+ = 12V, V- = 0V, VL = 5V, VGND = 0V, VINH = 2.4V, VINL = 0.8V, TA = TMIN to TMAX, unless otherwise noted.)

| PARAMETER                    | SYMBOL  | CONDITIONS   |                   | MIN | TYP<br>(Note 2) | MAX | UNITS |
|------------------------------|---------|--|-------------------|-----|-----------------|-----|-------|
| <b>SWITCH</b>                |         |  |                   |     |                 |     |       |
| Analog Signal Range          | VANALOG | (Note 3)   |                   | 0   |                 | 12  | V     |
| Drain-Source On-Resistance   | RDS(ON) | V+ = 10.8V,<br>VD = 3.8V,<br>IS = -10mA                  | TA = +25°C        |     | 40              | 80  | Ω     |
|                              |         |  | TA = TMIN to TMAX |     |                 | 100 |       |
| <b>SUPPLY</b>                |         |  |                   |     |                 |     |       |
| Positive Supply Current      | I+      | All channels on or off,<br>V+ = 13.2V,<br>VIN = 0V or 5V | TA = +25°C        | -1  | 0.0001          | 1   | μA    |
|                              |         |  | TA = TMAX         | -5  |                 | 5   |       |
| Negative Supply Current      | I-      | All channels on or off,<br>V+ = 13.2V,<br>VIN = 0V or 5V | TA = +25°C        | -1  | 0.0001          | 1   | μA    |
|                              |         |  | TA = TMAX         | -5  |                 | 5   |       |
| Logic Supply Current         | IL      | All channels on or off,<br>VL = 5.25V,<br>VIN = 0V or 5V | TA = +25°C        | -1  | 0.0001          | 1   | μA    |
|                              |         |  | TA = TMAX         | -5  |                 | 5   |       |
| Ground Current               | IGND    | All channels on or off,<br>VL = 5.25V,<br>VIN = 0V or 5V | TA = +25°C        | -1  | -0.0001         | 1   | μA    |
|                              |         |  | TA = TMAX         | -5  |                 | 5   |       |
| <b>DYNAMIC</b>               |         |  |                   |     |                 |     |       |
| Turn-On Time                 | tON     | VS = 8V,<br>Figure 2                                     | TA = +25°C        |     | 175             | 250 | ns    |
|                              |         |  | TA = TMIN to TMAX |     |                 | 315 |       |
| Turn-Off Time                | tOFF    | VS = 8V,<br>Figure 2                                     | TA = +25°C        |     | 95              | 125 | ns    |
|                              |         |  | TA = TMIN to TMAX |     |                 | 140 |       |
| Break-Before-Make Time Delay | tD      | DG413 only,<br>RL = 300Ω, CL = 35pF,<br>Figure 3         | TA = +25°C        |     | 25              |     | ns    |
| Charge Injection<br>(Note 3) | Q       | CL = 1.0nF,<br>VGEN = 0V,<br>RGEN = 0V,<br>Figure 4      | TA = +25°C        |     | 5               | 10  | pC    |

**Note 2:** The algebraic convention, where the most negative value is a minimum and the most positive value a maximum, is used in this data sheet.

**Note 3:** Guaranteed by design.

**Note 4:**  $\Delta R_{ON} = \Delta R_{ON\ max} - \Delta R_{ON\ min}$ . On-resistance match between channels and flatness are guaranteed only with bipolar-supply operation. Flatness is defined as the difference between the maximum and minimum value of on-resistance as measured at the extremes of the specified analog signal range.

**Note 5:** Off-Isolation =  $20\log(V_D/V_S)$ , VD = output, VS = input to off switch. See Figure 5.

**Note 6:** Between any two switches. See Figure 6.

**Note 7:** Leakage parameters IS(OFF), ID(OFF), and ID(ON) are 100% tested at the maximum-rated hot temperature and guaranteed by correlation at +25°C.

# Improved, Quad, SPST Analog Switches

## Typical Operating Characteristics

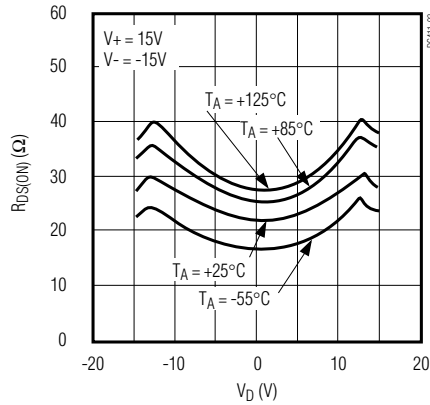
( $T_A = +25^\circ\text{C}$ , unless otherwise noted.)

DG411/DG412/DG413

**ON-RESISTANCE vs.  $V_D$  AND POWER-SUPPLY VOLTAGE**



**ON-RESISTANCE vs.  $V_D$  AND TEMPERATURE**



**ON-RESISTANCE vs.  $V_D$  AND TEMPERATURE (SINGLE SUPPLY)**



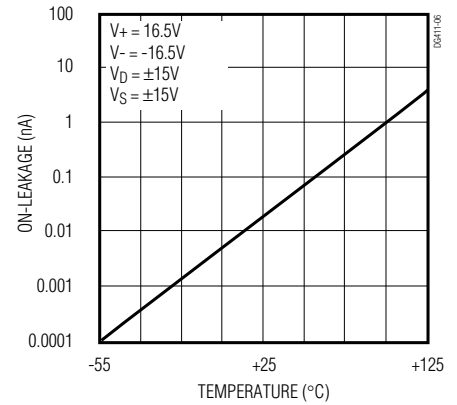
**ON-RESISTANCE vs.  $V_D$  (SINGLE SUPPLY)**



**OFF-LEAKAGE CURRENTS vs. TEMPERATURE**



**ON-LEAKAGE CURRENTS vs. TEMPERATURE**



**CHARGE INJECTION vs. ANALOG VOLTAGE**



**SUPPLY CURRENT vs. TEMPERATURE**



# Improved, Quad, SPST Analog Switches

## Pin Description

| PIN          |              | NAME           | FUNCTION   |
|--------------|--------------|----------------|--|
| DIP/SO/TSSOP | QFN          |                |  |
| 1, 16, 9, 8  | 15, 14, 7, 6 | IN1–IN4        | Input  |
| 2, 15, 10, 7 | 16, 13, 8, 5 | D1–D4          | Analog Switch Drain Terminal                         |
| 3, 14, 11, 6 | 1, 12, 9, 4  | S1–S4          | Analog Switch Source Terminal                        |
| 4            | 2            | V-             | Negative-Supply Voltage Input                        |
| 5            | 3            | GND            | Ground   |
| 12           | 10           | V <sub>L</sub> | Logic Supply Voltage                                 |
| 13           | 11           | V+             | Positive-Supply Voltage Input—Connected to Substrate |
| —            | —            | EP             | Exposed Paddle (QFN Only). Connect EP to V+.         |

## Applications Information

### Operation with Supply Voltages Other Than 15V

Using supply voltages other than 15V will reduce the analog signal range. The DG411/DG412/DG413 switches operate with  $\pm 4.5\text{V}$  to  $\pm 20\text{V}$  bipolar supplies or with a +10V to +30V single supply; connect V- to 0V when operating with a single supply. Also, all device types can operate with unbalanced supplies such as +24V and -5V. V<sub>L</sub> must be connected to +5V to be TTL compatible, or to V+ for CMOS-logic level inputs. The *Typical Operating Characteristics* graphs show typical on-resistance with  $\pm 15\text{V}$ ,  $\pm 10\text{V}$ , and  $\pm 5\text{V}$  supplies. (Switching times increase by a factor of two or more for operation at  $\pm 5\text{V}$ .)

### Overvoltage Protection

Proper power-supply sequencing is recommended for all CMOS devices. Do not exceed the absolute maximum ratings because stresses beyond the listed ratings may cause permanent damage to the devices. Always sequence V+ on first, followed by V<sub>L</sub>, V-, and logic inputs. If power-supply sequencing is not possible, add two small, external signal diodes in series with supply pins for overvoltage protection (Figure 1).

Adding diodes reduces the analog signal range to 1V below V+ and 1V below V-, without affecting low switch resistance and low leakage characteristics. Device operation is unchanged, and the difference between V+ and V- should not exceed +44V.

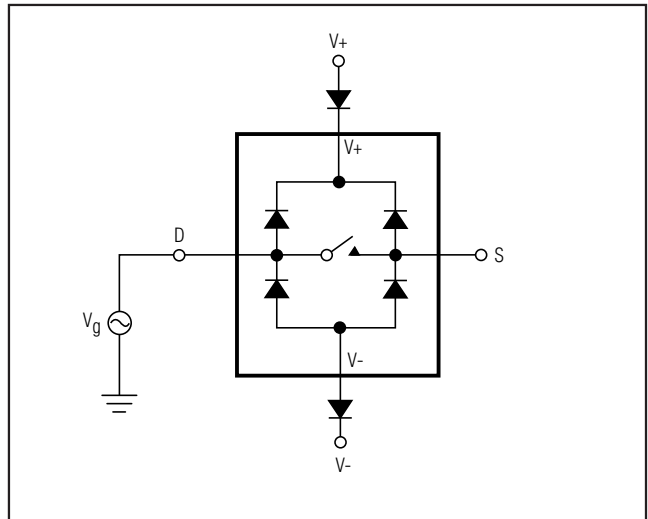


Figure 1. Overvoltage Protection Using External Blocking Diodes

# Improved, Quad, SPST Analog Switches

## Timing Diagrams/Test Circuits

DG411/DG412/DG413

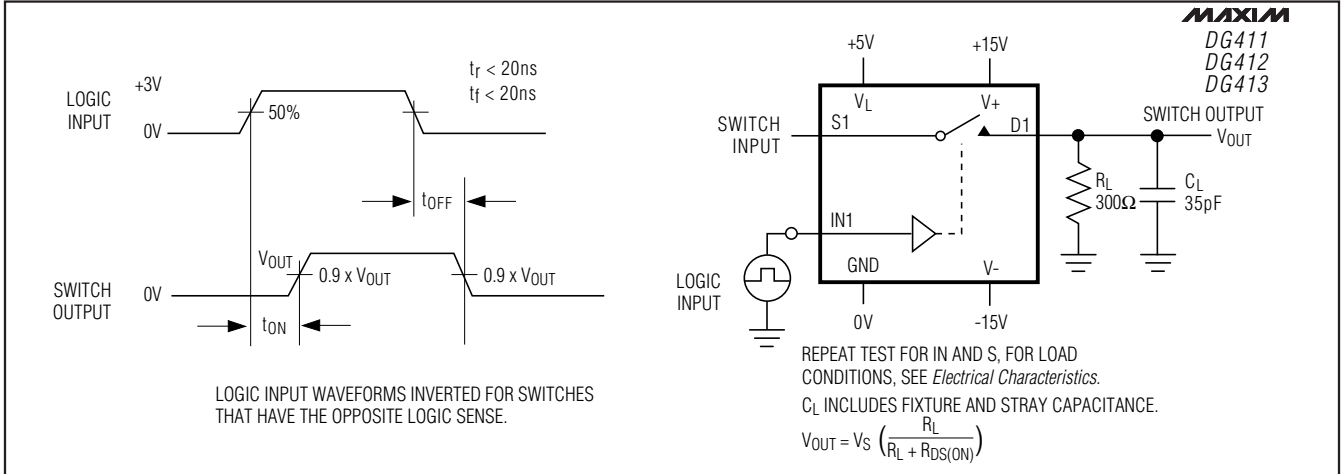


Figure 2. Switching-Time

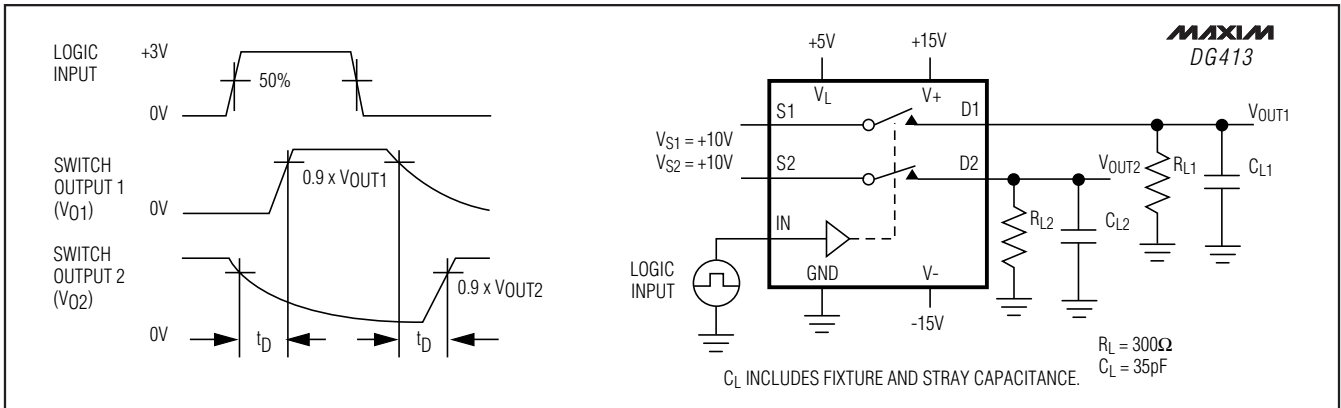


Figure 3. DG413 Break-Before-Make

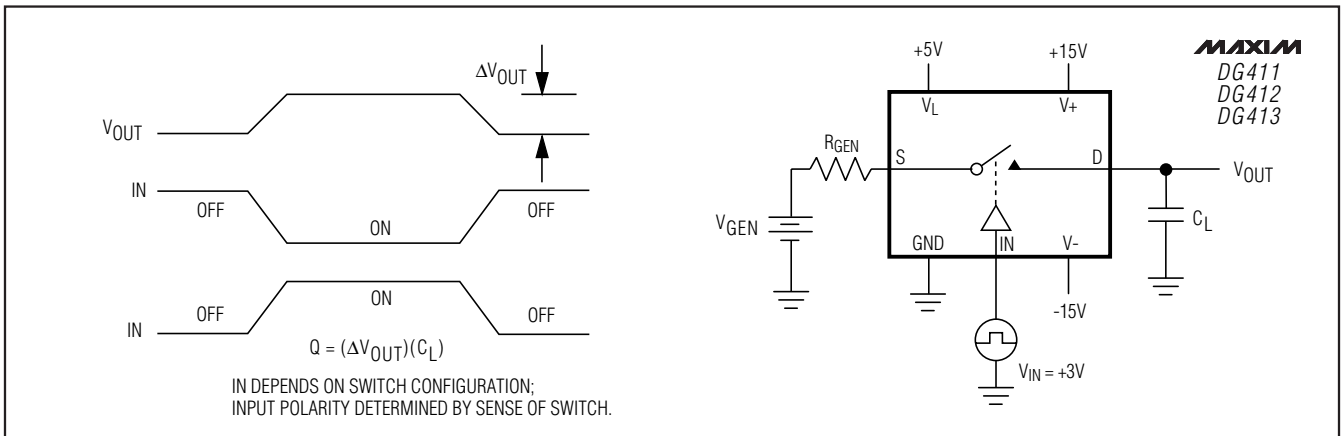


Figure 4. Charge-Injection

# Improved, Quad, SPST Analog Switches

## Timing Diagrams/Test Circuits (continued)

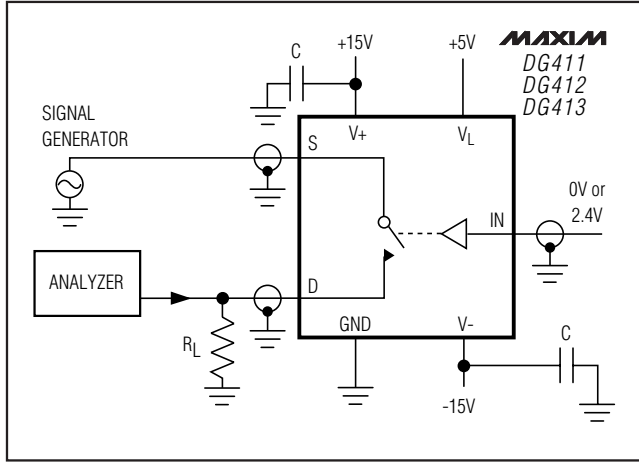


Figure 5. Off-Isolation

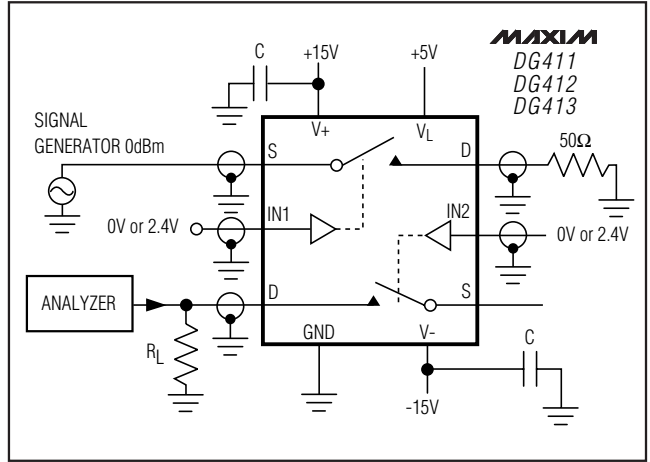


Figure 6. Crosstalk



Figure 7. Channel Off-Capacitance

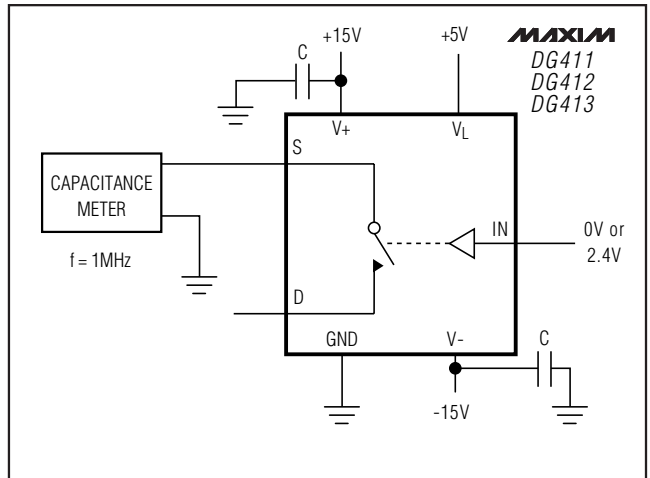


Figure 8. Channel On-Capacitance

# Improved, Quad, SPST Analog Switches

DG411/DG412/DG413

## Ordering Information (continued)

| PART           | TEMP RANGE      | PIN-PACKAGE    |
|----------------|-----------------|----------------|
| DG411EGE       | -40°C to +85°C  | 16 QFN-EP*     |
| DG411DJ        | -40°C to +85°C  | 16 Plastic DIP |
| DG411DY        | -40°C to +85°C  | 16 Narrow SO   |
| DG411DK        | -40°C to +85°C  | 16 CERDIP      |
| DG411AK        | -55°C to +125°C | 16 CERDIP**    |
| DG411MY/PR     | -55°C to +125°C | 16 SO***       |
| DG411MY/PR-T   | -55°C to +125°C | 16 SO***       |
| <b>DG412CJ</b> | 0°C to +70°C    | 16 Plastic DIP |
| DG412CUE       | 0°C to +70°C    | 16 TSSOP       |
| DG412EUE       | -40°C to +85°C  | 16 TSSOP       |
| DG412CY        | 0°C to +70°C    | 16 Narrow SO   |
| DG412C/D       | 0°C to +70°C    | Dice†          |
| DG412DJ        | -40°C to +85°C  | 16 Plastic DIP |
| DG412EGE       | -40°C to +85°C  | 16 QFN-EP*     |
| DG412DY        | -40°C to +85°C  | 16 Narrow SO   |
| DG412DK        | -40°C to +85°C  | 16 CERDIP      |
| DG412AK        | -55°C to +125°C | 16 CERDIP**    |
| DG412MY/PR     | -55°C to +125°C | 16 SO***       |
| DG412MY/PR-T   | -55°C to +125°C | 16 SO***       |
| <b>DG413CJ</b> | 0°C to +70°C    | 16 Plastic DIP |
| DG413CUE       | 0°C to +70°C    | 16 TSSOP       |
| DG413EUE       | -40°C to +85°C  | 16 TSSOP       |
| DG413CY        | 0°C to +70°C    | 16 Narrow SO   |
| DG413C/D       | 0°C to +70°C    | Dice†          |
| DG413EGE       | -40°C to +85°C  | 16 QFN-EP*     |
| DG413DJ        | -40°C to +85°C  | 16 Plastic DIP |
| DG413DY        | -40°C to +85°C  | 16 Narrow SO   |
| DG413DK        | -40°C to +85°C  | 16 CERDIP      |
| DG413AK        | -55°C to +125°C | 16 CERDIP**    |

†Contact factory for dice specifications.

\*EP = Exposed pad.

\*\*Contact factory for availability and processing to MIL-STD-883B.

\*\*\*Contact factory for availability.

## Chip Topography



# Improved, Quad, SPST Analog Switches

## Pin Configurations/Functional Diagrams (continued)



# Improved, Quad, SPST Analog Switches

## Package Information

For the latest package outline information and land patterns, go to [www.maxim-ic.com/packages](http://www.maxim-ic.com/packages).

| PACKAGE TYPE   | PACKAGE CODE | DOCUMENT NO.            |
|----------------|--------------|-------------------------|
| 16 QFN-EP      | G1655-3      | <a href="#">21-0091</a> |
| 16 Plastic DIP | P16-1        | <a href="#">21-0043</a> |
| 16 TSSOP       | U16-2        | <a href="#">21-0066</a> |
| 16 CERDIP      | J16-3        | <a href="#">21-0045</a> |
| 16 Narrow SO   | S16-1        | <a href="#">21-0041</a> |
| 16 SO          | S16-1        | <a href="#">21-0041</a> |

DG411/DG412/DG413

# **Improved, Quad, SPST Analog Switches**

## **Revision History**

| <b>REVISION NUMBER</b> | <b>REVISION DATE</b> | <b>DESCRIPTION</b>                     | <b>PAGES CHANGED</b> |
|------------------------|----------------------|--|----------------------|
| 6                      | 9/07                 | Addition of exposed pad information    | 1, 6, 9, 14, 15      |
| 7                      | 9/08                 | Addition of rugged plastic information | 1, 9                 |

*Maxim cannot assume responsibility for use of any circuitry other than circuitry entirely embodied in a Maxim product. No circuit patent licenses are implied. Maxim reserves the right to change the circuitry and specifications without notice at any time.*

12 **Maxim Integrated Products, 120 San Gabriel Drive, Sunnyvale, CA 94086 408-737-7600**

## Looking for pricing, stock, or lifecycle information?

Click below to explore more details on WIN SOURCE:

 [View DG412CJ+ on WIN SOURCE](#)

 [Maxim Integrated](#) Information

## Optimize Your Supply Chain with WIN SOURCE Solutions

-  Global Sourcing Solution
-  Obsolete Management
-  Cost Control Management
-  Shortage Management
-  Alternative Solution
-  Excess Inventory Management