



**THE DATASHEET OF  
DG221BDY-T1-E3**



## Quad SPST CMOS Analog Switch with Latches

### DESCRIPTION

The DG221B is a monolithic quad single-pole, single-throw analog switch designed for precision switching applications in communication, instrumentation and process control systems.

Featuring independent onboard latches and a common  $\overline{WR}$  pin, each DG221B can be memory mapped, and addressed as a single data byte for simultaneous switching.

The DG221B combines low power and low on-resistance (60  $\Omega$  typical) while handling continuous currents up to 20 mA. An epitaxial layer prevents latchup.

The device features true bidirectional performance in the on condition.

### FEATURES

- Accepts 150 ns write pulse width
- 5 V on-chip regulator
- Latches are transparent with  $\overline{WR}$  low
- Low on-resistance: 60  $\Omega$



**RoHS\***  
COMPLIANT

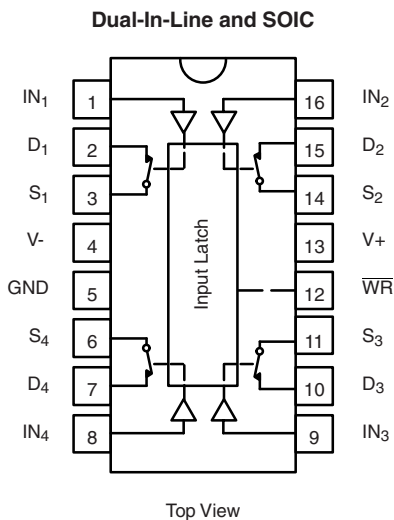
### BENEFITS

- Compatible with most  $\mu$ P buses
- Allows wide power supply tolerance without affecting TTL compatibility
- Reduced power consumption
- Allows flexibility of design

### APPLICATIONS

- $\mu$ P based systems
- Automatic test equipment
- Communication systems
- Data acquisition systems
- Medical instrumentation
- Factory automation

### FUNCTIONAL BLOCK DIAGRAM AND PIN CONFIGURATION



Four latchable SPST switches per package

TRUTH TABLE		
$IN_x$	$\overline{WR}$	Switch
0	0	ON
1	0	OFF
X		Control data latched-in, switches on or off as selected by last $IN_x$
X	1	Maintains previous state

Logic "0"  $\leq 0.8$  V  
Logic "1"  $\geq 2.4$  V

\* Pb containing terminations are not RoHS compliant, exemptions may apply.

ORDERING INFORMATION			
Temp. Range	Package	Standard Part Number	Lead (Pb)-free Part Number
- 40 °C to 85 °C	16-Pin Plastic DIP	DG221BDJ	DG221BDJ-E3
	16-Pin Narrow SOIC	DG221BDY DG221BDY-T1	DG221BDY-E3 DG221BDY-T1-E3

ABSOLUTE MAXIMUM RATINGS			
Parameter		Limit	Unit
Voltages Referenced V+ to V-		34	V
GND		25	
Digital Inputs <sup>a</sup> , V <sub>S</sub> , V <sub>D</sub>		(V-) - 2 to (V+) + 2 or 20 mA, whichever occurs first	
Continuous Current (Any Terminal)		30	mA
Continuous Current, S or D		20	
Peak Current, S or D (Pulsed at 1 ms, 10 % duty cycle max.)		70	
Storage Temperature	(DJ and DY Suffix)	- 65 to 125	°C
Power Dissipation (Package) <sup>b</sup>	16-Pin Plastic DIP <sup>c</sup>	470	mW
	16-Pin SOIC <sup>d</sup>	600	

Notes:

- a. Signals on S<sub>X</sub>, D<sub>X</sub>, or IN<sub>X</sub> exceeding V+ or V- will be clamped by internal diodes. Limit forward diode current to maximum current ratings.
- b. All leads welded or soldered to PC board.
- c. Derate 6.5 mW/°C above 25 °C.
- d. Derate 7.7 mW/°C above 75 °C.

### SCHEMATIC DIAGRAM Typical Channel

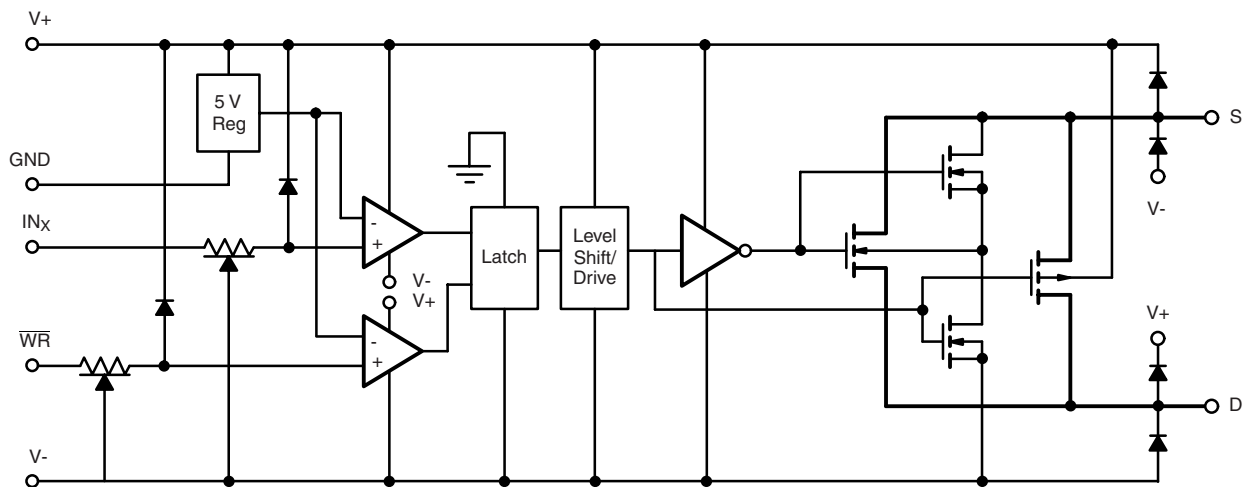


Figure 1.



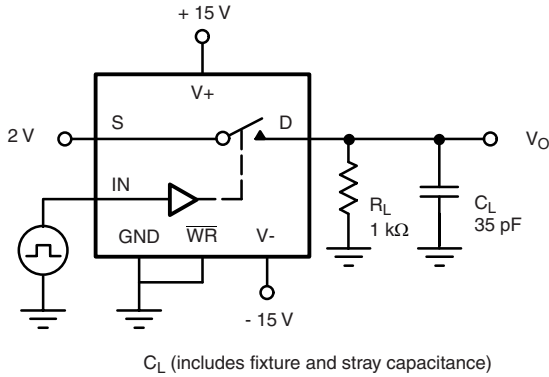
SPECIFICATIONS <sup>a</sup>							
Parameter	Symbol	Test Conditions Unless Otherwise Specified V <sub>+</sub> = 15 V, V <sub>-</sub> = -15 V V <sub>IN</sub> = 2.4 V, 0.8 V <sup>f</sup> , $\overline{WR}$ = 0	Temp. <sup>b</sup>	Limits -40 °C to 85 °C			Unit
				Min. <sup>d</sup>	Typ. <sup>c</sup>	Max. <sup>d</sup>	
<b>Analog Switch</b>							
Analog Signal Range <sup>e</sup>	V <sub>ANALOG</sub>		Full	-15		15	V
Drain-Source On-Resistance	r <sub>DS(on)</sub>	I <sub>S</sub> = -10 mA, V <sub>D</sub> = ±10 V	Room Full		60	90 135	Ω
Source Off Leakage Current	I <sub>S(off)</sub>	V <sub>S</sub> = ±14 V, V <sub>D</sub> = ±14 V	Room Full	-5 -100	±0.01	5 100	nA
Drain Off Leakage Current	I <sub>D(off)</sub>		Room Full	-5 -100	±0.02	5 100	
Drain On Leakage Current	I <sub>D(on)</sub>	V <sub>S</sub> = V <sub>D</sub> = ±14 V	Room Full	-5 -200	±0.01	5 200	
<b>Digital Control</b>							
Input Current	I <sub>INL</sub> , I <sub>INH</sub>	V <sub>IN</sub> = 0 V or = 2.4 V	Room Full	-1 -10	-0.0004	1 10	μA
<b>Dynamic Characteristics</b>							
Turn-On Time	t <sub>ON</sub>	See Figure 2	Room			550	ns
Turn-Off Time	t <sub>OFF</sub>		Room			340	
Turn-On Time Write	t <sub>ON, <math>\overline{WR}</math></sub>	See Figure 3	Room			550	
Turn-Off Time Write	t <sub>OFF, <math>\overline{WR}</math></sub>		Room			340	
Write Pulse Width	t <sub>W</sub>	See Figure 4	Room	150	120		
Input Setup Time	t <sub>S</sub>		Room	180	130		
Input Hold Time	t <sub>H</sub>		Room	20	18		
Charge Injection	Q	C <sub>L</sub> = 1000 pF, V <sub>gen</sub> = 0 V, R <sub>gen</sub> = 0 Ω	Room		20		pC
Source-Off Capacitance	C <sub>S(off)</sub>	f = 1 MHz, V <sub>S</sub> , V <sub>D</sub> = 0 V	Room		8		pF
Drain-Off Capacitance	C <sub>D(off)</sub>		Room		9		
Channel On Capacitance	C <sub>D(on)</sub>		Room		29		
Off-Isolation	OIRR	V <sub>S</sub> = 1 V <sub>p-p</sub> , f = 100 kHz	Room		70		dB
Interchannel Crosstalk	X <sub>TALK</sub>	C <sub>L</sub> = 15 pF, R <sub>L</sub> = 1 kΩ	Room		90		
<b>Power Supplies</b>							
Positive Supply Current	I <sub>+</sub>	All Channels On or Off V <sub>IN</sub> = 0 V or 2.4 V	Full		0.8	1.5	mA
Negative Supply Current	I <sub>-</sub>		Room	-1	-0.4		

Notes:

- a. Refer to PROCESS OPTION FLOWCHART.
- b. Room = 25 °C, Full = as determined by the operating temperature suffix.
- c. Typical values are for DESIGN AID ONLY, not guaranteed nor subject to production testing.
- d. The algebraic convention whereby the most negative value is a minimum and the most positive a maximum, is used in this data sheet.
- e. Guaranteed by design, not subject to production test.
- f. V<sub>IN</sub> = input voltage to perform proper function.

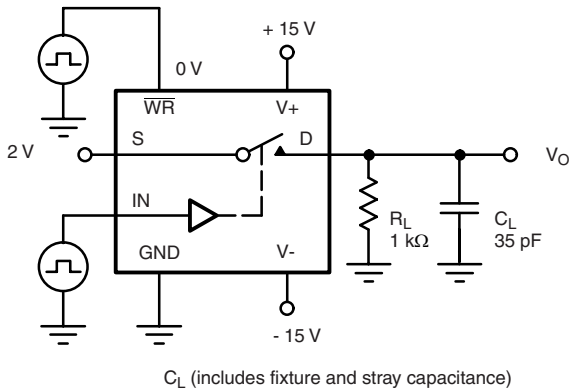
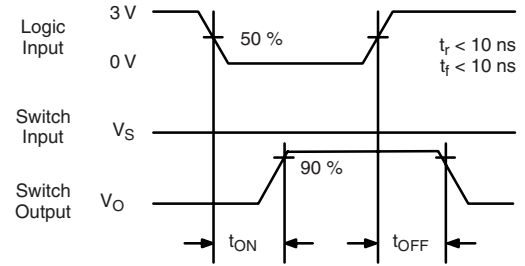
Stresses beyond those listed under "Absolute Maximum Ratings" may cause permanent damage to the device. These are stress ratings only, and functional operation of the device at these or any other conditions beyond those indicated in the operational sections of the specifications is not implied. Exposure to absolute maximum rating conditions for extended periods may affect device reliability.

**TEST CIRCUITS**



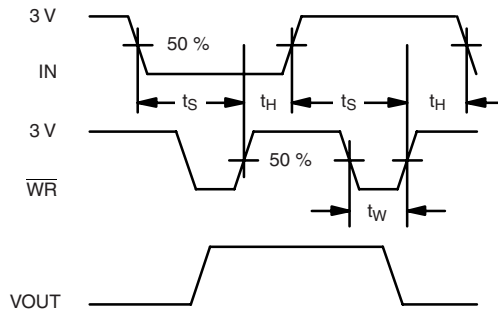
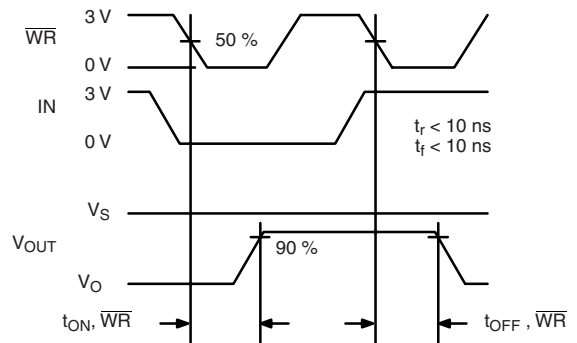
$$V_O = V_S \frac{R_L}{R_L + r_{DS(on)}}$$

**Figure 2. Switching Time**



$$V_O = V_S \frac{R_L}{R_L + r_{DS(on)}}$$

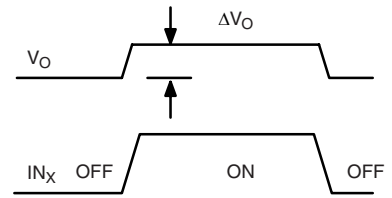
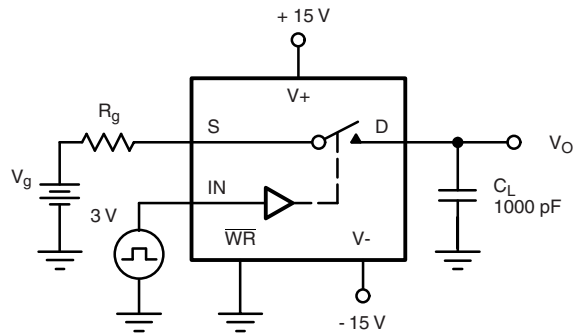
**Figure 3.  $\overline{WR}$  Switching Time**



$t_H$  = Hold Time  
 $t_S$  = Setup Time  
 $t_W$  = WR Pulse Width

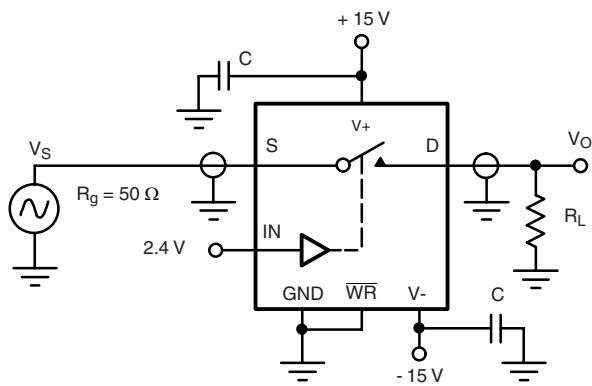
**Figure 4.  $\overline{WR}$  Setup Conditions**

**TEST CIRCUITS**



$\Delta V_O$  = measured voltage error due to charge injection  
The charge injection in coulombs is  $Q = C_L \times \Delta V_O$

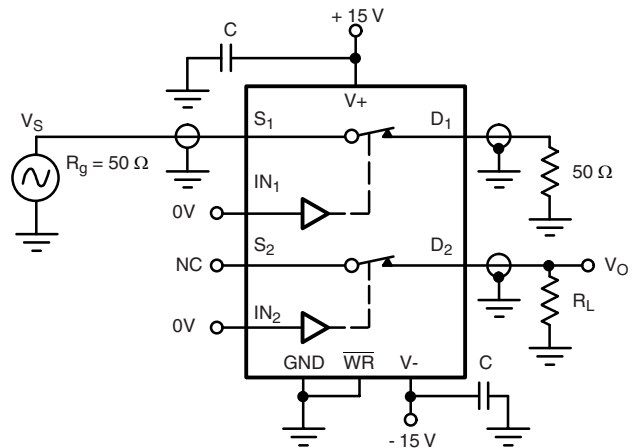
**Figure 5. Charge Injection**



$$\text{Off Isolation} = 20 \log \left| \frac{V_S}{V_O} \right|$$

C = RF bypass

**Figure 6. Off Isolation**



$$X_{\text{TALK}} \text{ Isolation} = 20 \log \left| \frac{V_S}{V_O} \right|$$

C = RF bypass

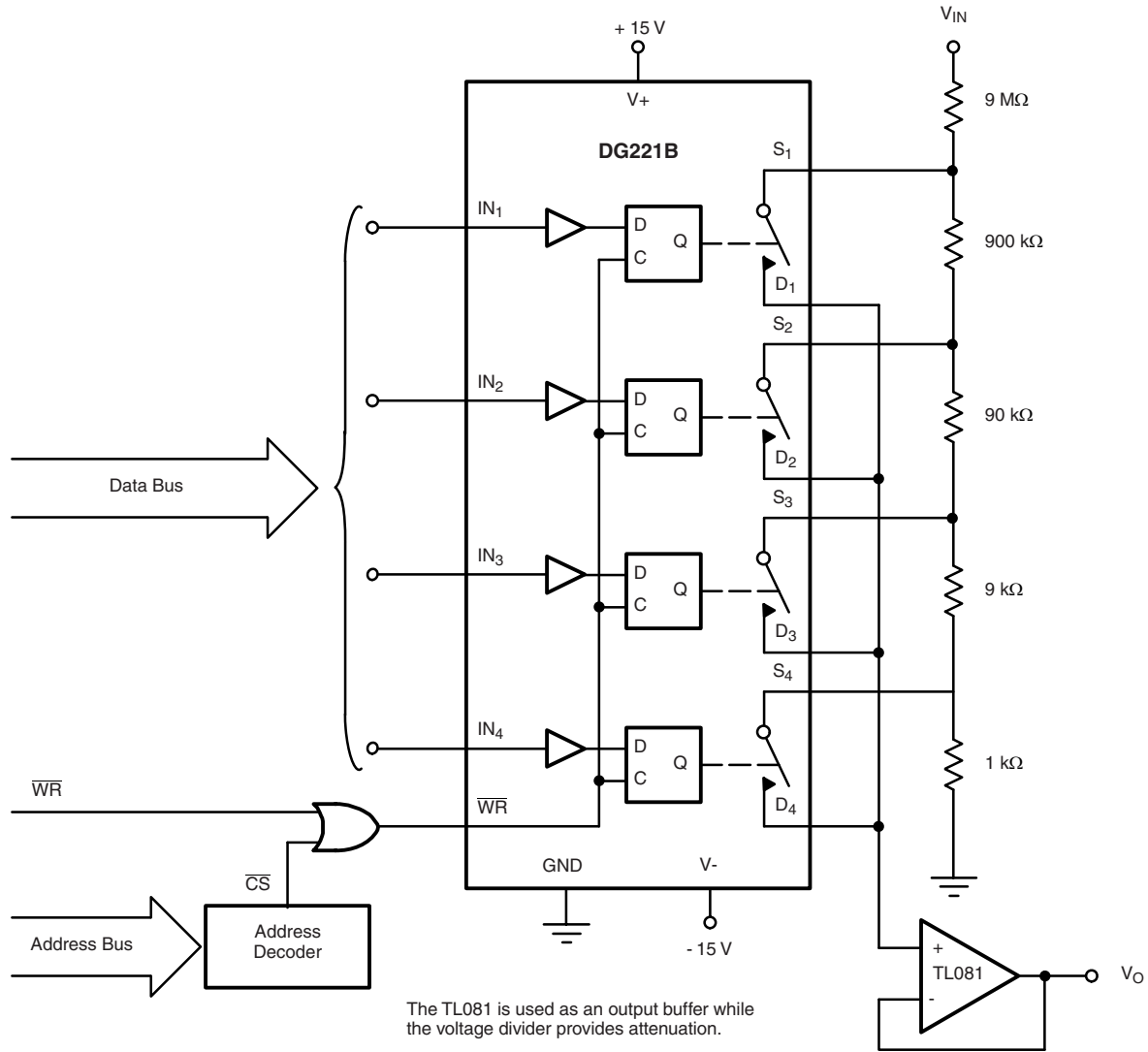
**Figure 7. Channel-to-Channel Crosstalk**

<b>APPLICATION HINTS<sup>a</sup></b>					
V+ Positive Supply Voltage (V)	V- Negative Supply Voltage (V)	GND (V)	WR (V)	V <sub>IN</sub> Logic Input Voltage V <sub>INH(min)</sub> /V <sub>INL(max)</sub> (V)	V <sub>S</sub> or V <sub>D</sub> Analog Voltage Range (V)
15	- 15	0	2.4/0.8	2.4/0.8	- 15 to 15
10	- 10	0	2.4/0.8	2.4/0.8	- 10 to 10
10	- 5	0	2.4/0.8	2.4/0.8	- 5 to 10

Notes:

a. Application hints are for DESIGN AID ONLY, not guaranteed and not subject to production testing.

**APPLICATIONS**



**Figure 7. μP-Controlled Analog Signal Attenuator**

TRUTH TABLE					
IN <sub>1</sub>	IN <sub>2</sub>	IN <sub>3</sub>	IN <sub>4</sub>	WR <sup>a</sup>	ON SWITCH
0	0	0	0	0	All
1	1	1	1	0	None
0	1	1	1	0	1
1	0	1	1	0	2
1	1	0	1	0	3
1	1	1	0	0	4

OUTPUT ATTENUATION FOR FIGURE 7					
WR	IN <sub>1</sub>	IN <sub>2</sub>	IN <sub>3</sub>	IN <sub>4</sub>	Gain
0	0	1	1	1	0.1
0	1	0	1	1	0.01
0	1	1	0	1	0.001
0	1	1	1	0	0.0001

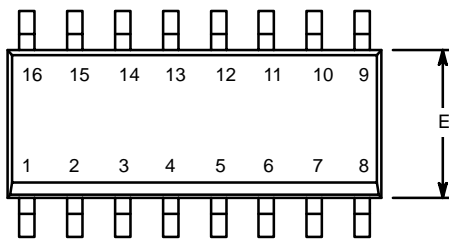
Notes:

a. WR may be held at "0" for temporary operation similar to DG201A/DG201B. With WR at "0" SW<sub>1</sub> will remain on as long as IN<sub>1</sub> is held at "0" V.

Vishay Siliconix maintains worldwide manufacturing capability. Products may be manufactured at one of several qualified locations. Reliability data for Silicon Technology and Package Reliability represent a composite of all qualified locations. For related documents such as package/tape drawings, part marking, and reliability data, see <http://www.vishay.com/ppg?71616>.

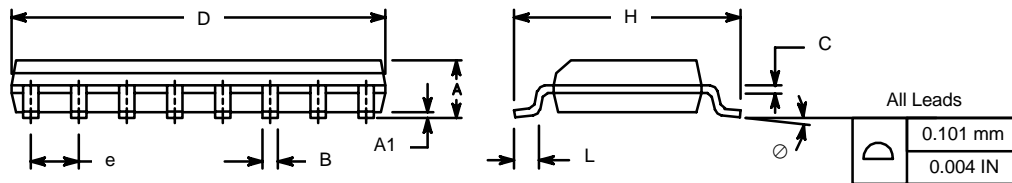


**SOIC (NARROW): 16-LEAD**  
JEDEC Part Number: MS-012

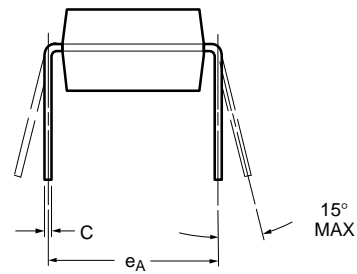
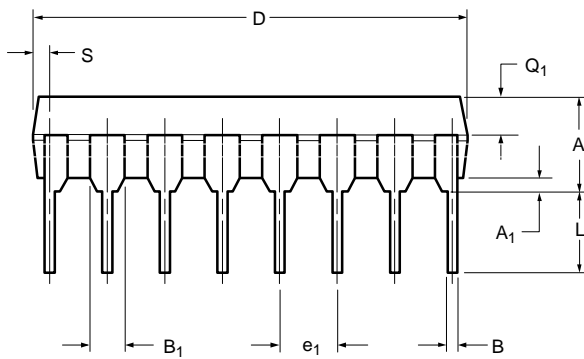
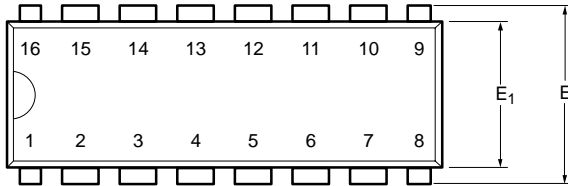


Dim	MILLIMETERS		INCHES	
	Min	Max	Min	Max
A	1.35	1.75	0.053	0.069
A <sub>1</sub>	0.10	0.20	0.004	0.008
B	0.38	0.51	0.015	0.020
C	0.18	0.23	0.007	0.009
D	9.80	10.00	0.385	0.393
E	3.80	4.00	0.149	0.157
e	1.27 BSC		0.050 BSC	
H	5.80	6.20	0.228	0.244
L	0.50	0.93	0.020	0.037
∅	0°	8°	0°	8°

ECN: S-03946—Rev. F, 09-Jul-01  
DWG: 5300



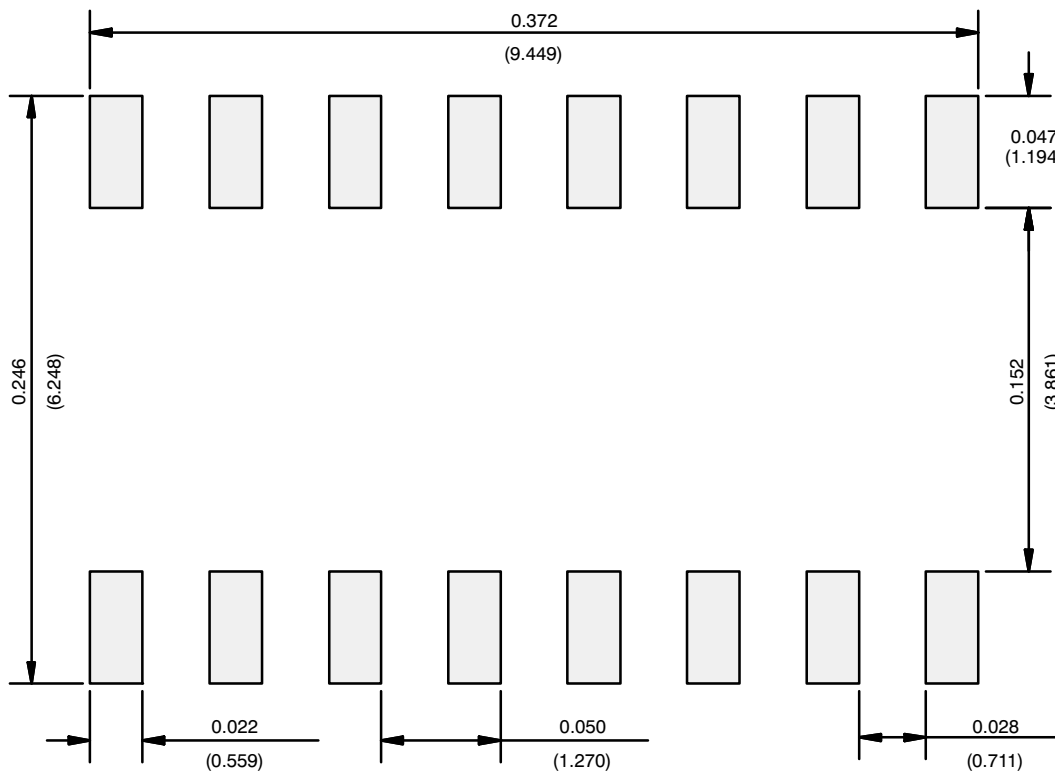
### PDIP: 16-LEAD



Dim	MILLIMETERS		INCHES	
	Min	Max	Min	Max
<b>A</b>	3.81	5.08	0.150	0.200
<b>A<sub>1</sub></b>	0.38	1.27	0.015	0.050
<b>B</b>	0.38	0.51	0.015	0.020
<b>B<sub>1</sub></b>	0.89	1.65	0.035	0.065
<b>C</b>	0.20	0.30	0.008	0.012
<b>D</b>	18.93	21.33	0.745	0.840
<b>E</b>	7.62	8.26	0.300	0.325
<b>E<sub>1</sub></b>	5.59	7.11	0.220	0.280
<b>e<sub>1</sub></b>	2.29	2.79	0.090	0.110
<b>e<sub>A</sub></b>	7.37	7.87	0.290	0.310
<b>L</b>	2.79	3.81	0.110	0.150
<b>Q<sub>1</sub></b>	1.27	2.03	0.050	0.080
<b>S</b>	0.38	1.52	.015	0.060

ECN: S-03946—Rev. D, 09-Jul-01  
DWG: 5482

## RECOMMENDED MINIMUM PADS FOR SO-16



Recommended Minimum Pads  
Dimensions in Inches/(mm)

[Return to Index](#)



## **Disclaimer**

ALL PRODUCT, PRODUCT SPECIFICATIONS AND DATA ARE SUBJECT TO CHANGE WITHOUT NOTICE TO IMPROVE RELIABILITY, FUNCTION OR DESIGN OR OTHERWISE.

Vishay Intertechnology, Inc., its affiliates, agents, and employees, and all persons acting on its or their behalf (collectively, "Vishay"), disclaim any and all liability for any errors, inaccuracies or incompleteness contained in any datasheet or in any other disclosure relating to any product.

Vishay makes no warranty, representation or guarantee regarding the suitability of the products for any particular purpose or the continuing production of any product. To the maximum extent permitted by applicable law, Vishay disclaims (i) any and all liability arising out of the application or use of any product, (ii) any and all liability, including without limitation special, consequential or incidental damages, and (iii) any and all implied warranties, including warranties of fitness for particular purpose, non-infringement and merchantability.

Statements regarding the suitability of products for certain types of applications are based on Vishay's knowledge of typical requirements that are often placed on Vishay products in generic applications. Such statements are not binding statements about the suitability of products for a particular application. It is the customer's responsibility to validate that a particular product with the properties described in the product specification is suitable for use in a particular application. Parameters provided in datasheets and / or specifications may vary in different applications and performance may vary over time. All operating parameters, including typical parameters, must be validated for each customer application by the customer's technical experts. Product specifications do not expand or otherwise modify Vishay's terms and conditions of purchase, including but not limited to the warranty expressed therein.

Except as expressly indicated in writing, Vishay products are not designed for use in medical, life-saving, or life-sustaining applications or for any other application in which the failure of the Vishay product could result in personal injury or death. Customers using or selling Vishay products not expressly indicated for use in such applications do so at their own risk. Please contact authorized Vishay personnel to obtain written terms and conditions regarding products designed for such applications.

No license, express or implied, by estoppel or otherwise, to any intellectual property rights is granted by this document or by any conduct of Vishay. Product names and markings noted herein may be trademarks of their respective owners.

## Looking for pricing, stock, or lifecycle information?

Click below to explore more details on WIN SOURCE:

 [View DG221BDY-T1-E3 on WIN SOURCE](#)

 [Vishay Information](#)

## Optimize Your Supply Chain with WIN SOURCE Solutions

-  Global Sourcing Solution
-  Obsolete Management
-  Cost Control Management
-  Shortage Management
-  Alternative Solution
-  Excess Inventory Management