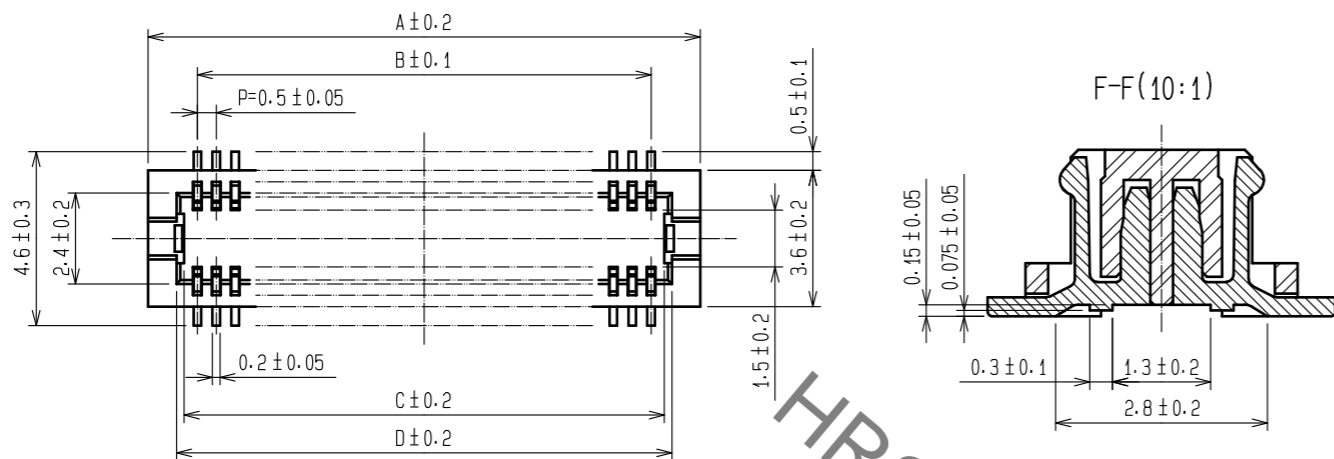




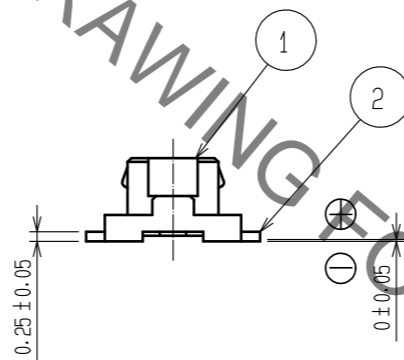
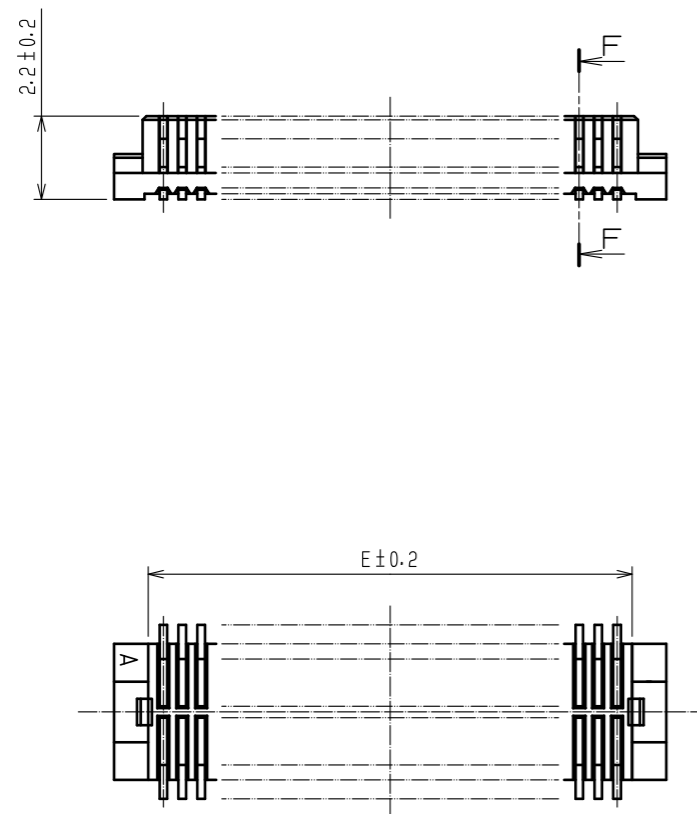
**THE DATASHEET OF  
DF12C(3.0)-60DS-0.5V(81)**



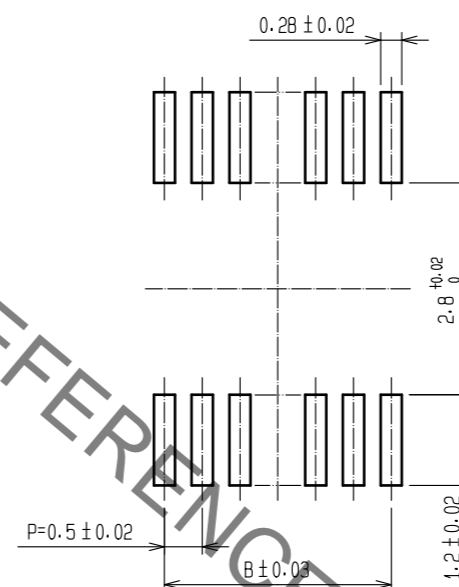
Aug.1.2019 Copyright 2019 HIROSE ELECTRIC CO., LTD. All Rights Reserved.  
 In case of consideration for using Automotive equipment / device which demand high reliability, kindly contact our sales window correspondents.



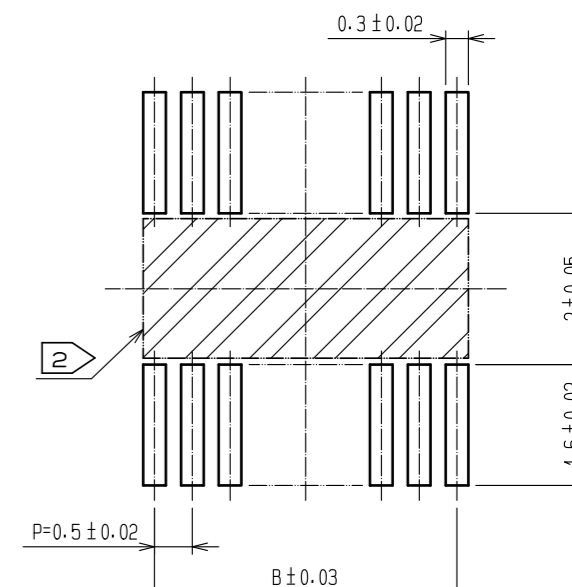
CODE No.	CONTACT	A	B	C	D	E
CL537-0686-0-81	10	4.6	2.0	2.7	3.1	2.8
CL537-0917-1-81	14	5.6	3.0	3.7	4.1	3.8
CL537-0688-6-81	20	7.1	4.5	5.2	5.6	5.3
CL537-0690-8-81	30	9.6	7.0	7.7	8.1	7.8
CL537-0697-7-81	32	10.1	7.5	8.2	8.6	8.3
CL537-0691-0-81	36	11.1	8.5	9.2	9.6	9.3
CL537-0692-3-81	40	12.1	9.5	10.2	10.6	10.3
CL537-0694-9-81	50	14.6	12.0	12.7	13.1	12.8
CL537-0696-4-81	60	17.1	14.5	15.2	15.6	15.3



RECOMMENDED METAL MASK (10:1)



RECOMMENDED PATTERN (10:1)

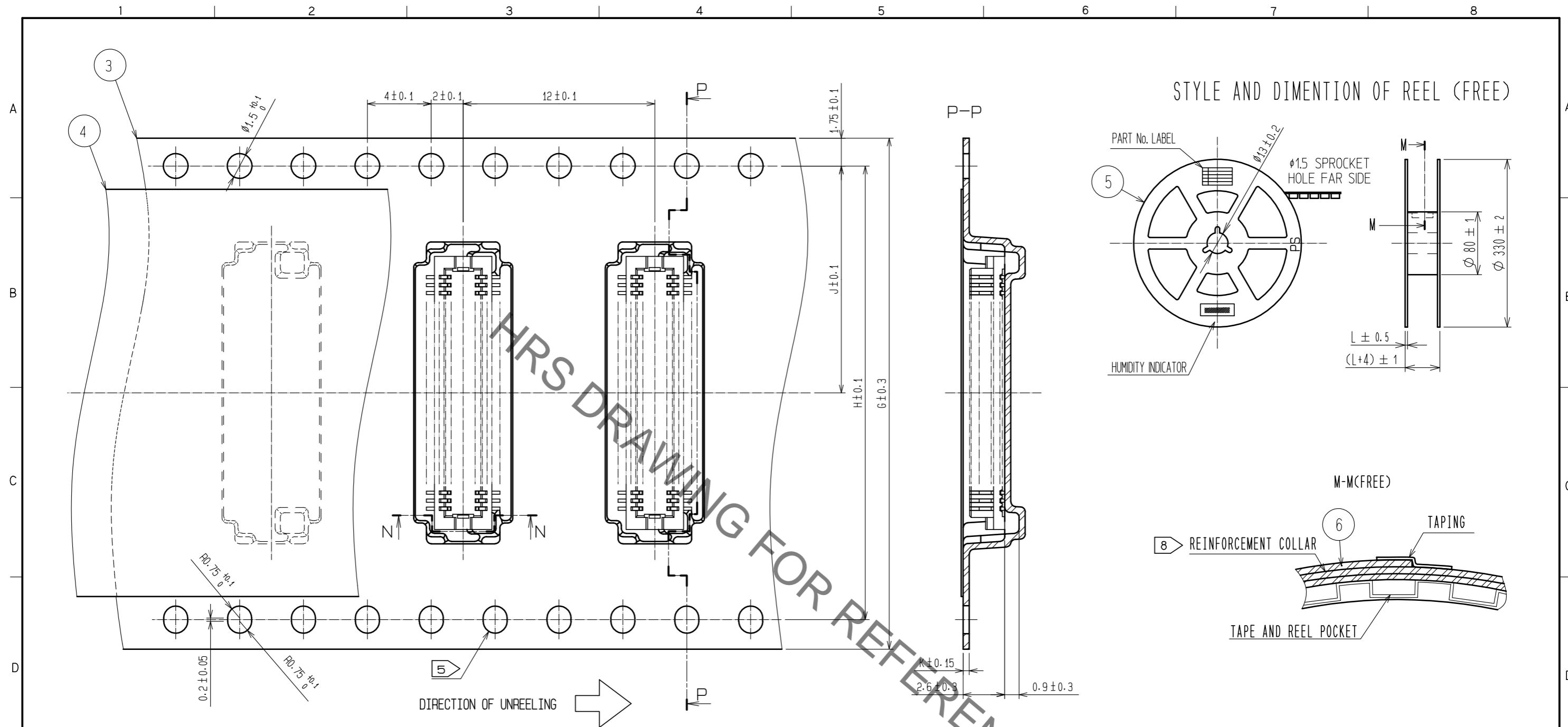


RECOMMENDED THICKNESS OF SOLDER PASTE : 120 μm

NOTES 1 LEAD CO-PLANARITY SHALL BE 0.08 mm MAX.  
 2 IF THERE IS PATTERN ON PART, THERE IS A POSSIBILITY THAT IT WILL MAKE CONTACT WITH THE LEADS.

2	PHOSPHOR BRONZE	CONTACT AREA:GOLD PLATED 0.2μm min	6	PS	CLEAR (REINFORCEMENT COLLAR)			
		LEAD AREA:GOLD PLATED 0.015μm min	5	PS	BLACK (PLASTIC REEL)			
		OTHERS(UNDER PLATING):NICKEL PLATED 2μm min	4	POLYESTER	CLEAR (COVER TAPE)			
1	POLYAMIDE	UL94V-0.NATURAL(BEIGE)	3	PS	CLEAR (EMBOSSED CARRIER TAPE)			
NO.	MATERIAL	FINISH . REMARKS	NO.	MATERIAL	FINISH . REMARKS			
UNITS mm		SCALE 5 : 1		DESCRIPTION OF REVISIONS		DESIGNED	CHECKED	DATE
<b>HRS</b> HIROSE ELECTRIC CO., LTD.		APPROVED : WR. FUKUCHI	20190409	DRAWING NO. EDC-162254-81-78				
		CHECED : WR. FUKUCHI	20190409	PART NO. DF12C(3.0)-*DS-0.5V(81)				
		DESIGNED : KT. KUSAKA	20190409	CODE NO. CL537				
		DRAWN : RN. IIDA	20190409					

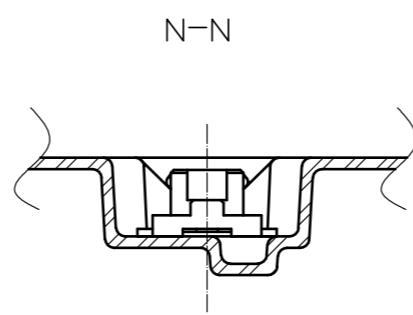
Aug.1.2019 Copyright 2019 HIROSE ELECTRIC CO., LTD. All Rights Reserved.  
 In case of consideration for using Automotive equipment / device which demand high reliability, kindly contact our sales window correspondents.



STYLE AND DIMENTION OF REEL (FREE)

CODE No.	CONTACT	G	H	J	K	L
CL537-0686-0-81	10	16	-	7.5	0.30	17.5
CL537-0917-1-81	14	16	-	7.5	0.30	17.5
CL537-0688-6-81	20	16	-	7.5	0.38	17.5
CL537-0690-8-81	30	24	-	11.5	0.38	25.5
CL537-0697-7-81	32	24	-	11.5	0.30	25.5
CL537-0691-0-81	36	24	-	11.5	0.38	25.5
CL537-0692-3-81	40	24	-	11.5	0.38	25.5
CL537-0694-9-81	50	24	-	11.5	0.38	25.5
CL537-0696-4-81	60	32	28.4	14.2	0.38	33.5

- NOTES
- 3 1 REEL 1000 CONNECTORS.
  - 4 AT THE BEGINNING OF THE REEL, 30 COMPONENTS SHALL BE EMPTY.  
 AT THE END OF THE REEL, 20 COMPONENTS SHALL BE EMPTY.
  - 5 WHEN THE TAPE WIDTH IS 32 mm OR 44 mm, SPROCKET HOLES SHALL BE SET ON BOTH SIDE OF REEL AS SHOWN ON THIS DRAWING.
  - 6 PEEL FORCE REFERS TO JIS C 0806. (IEC 60286-3)
  - 7 SPECIAL PACKING IS APPLIED FOR THIS PRODUCT, USING POLYAMIDE RESIN, TO IMPROVE MOISTURE RESISTANCE.  
 AFTER OPENING AND WHEN RESTORING IS NEEDED, PLEASE PUT THE PRODUCT WITH DESICCANT IN A SEALED ALUMINIUM BAG.  
 IN CASE THE COLOR OF THE INDICATOR(30%) TURNED TO PINK, DO BAKING THE PRODUCTS(50℃, 48HOURS).
  - 8 AFTER PACKING, ROLL 2 METERS OF THE REINFORCEMENT COLLAR TO OUTER CIRCUMFERENCE OF TAPE AND REEL POCKET, AND TAPE DOWN AT THE END THE COLLAR.



<b>HRS</b>	DRAWING NO.	EDC-162254-81-78
	PART NO.	DF12C(3.0)-*DS-0.5V(81)
	CODE NO.	CL537

## Looking for pricing, stock, or lifecycle information?

Click below to explore more details on WIN SOURCE:

- ⊖ [View DF12C\(3.0\)-60DS-0.5V\(81\) on WIN SOURCE](#)
- ⊖ [Hirose Electric Co Ltd Information](#)

## Optimize Your Supply Chain with WIN SOURCE Solutions

- ✓ Global Sourcing Solution
- ✓ Obsolete Management
- ✓ Cost Control Management
- ✓ Shortage Management
- ✓ Alternative Solution
- ✓ Excess Inventory Management