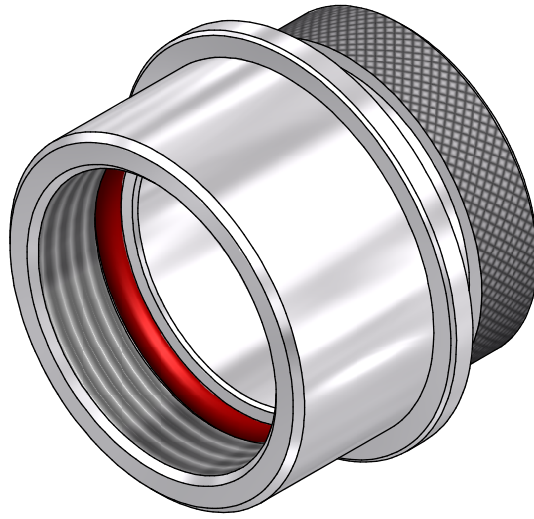




**THE DATASHEET OF  
218M720-19A12**





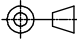


# CODE 18 - DIRECT COUPLING, LOW PROFILE HEAT SHRINK BOOT BACKSHELL

218M516-19B

SERIES \_\_\_\_\_  
 DASH NUMBER (TABLE 1) \_\_\_\_\_  
 MANUFACTURER CODE \_\_\_\_\_  
 SEE TABLE 2  
 MATERIAL \_\_\_\_\_  
 REFER TO CH00-0250-004  
 FINISH \_\_\_\_\_  
 REFER TO CH00-0250-004

**NOTES:**

1. THIS PRODUCT IS DESIGNED TO TERMINATE A HEAT SHRINKABLE LIPPED BOOT TO A CONNECTOR.
2. FOR ADDITIONAL DIMENSIONS, ORDERING INFORMATION AND MODIFICATION, SEE CH00-0250-004.
3. BACKSHELL TO BE PERMANENTLY MARKED/BAGGED AND LABELLED WITH CODE IDENTIFICATION NUMBER AND PART NUMBER. (e.g. 06090-218M516-19B).
4. BACKSHELL MATES TO MIL-DTL-5015D, CLASS A, E & R, MS3100, MS3101 & MS3106.
- ⑤ ALL THREAD SIZES FOR ORDER APPLY.
- ⑥ ADDITIONAL PIECE(S) SUPPLIED WHEN CONNECTOR MFR IS UNKNOWN (D IN TABLE 2)
- ⑦ OPTIONAL DESIGN FEATURE WHEN REQUIRED TO ALLOW SUFFICIENT SHOULDER FORWARD OF BOOT GROOVE

<b>DRAWN</b>	K.WINCZURA	DATE	25/09/2015	 3RD ANGLE PROJECTION NOT TO SCALE	<b>TITLE:</b> DIRECT COUPLING, LOW PROFILE HEAT SHRINK BOOT BACKSHELL	 Polamco 
<b>CHECKED</b>		25/09/2015				
<b>APPROVED</b>	K.SHEPPARD	25/09/2015	UNLESS OTHERWISE SPECIFIED ALL DIMENSIONS IN MILLIMETRES <b>GENERAL TOL</b> LINEAR +/-0.25MM ANGULAR +/- 1°			
<b>APPROVED</b>	H.SMITH	06/10/2015				
<b>REVISIONS</b>					<b>ASSY USED ON:</b>	
<b>LTR</b>	<b>DESCRIPTION</b>	<b>DATE</b>	<b>APPROVED</b>		MIL-DTL-5015D	
<b>G</b>	REVISED PER ECN AD93042					
<b>H</b>	REVISED PER ECO-15-014373	06/10/2015	H.SMITH			
TE CAGE CODE: 06090 POLAMCO/TE CAGE CODE: U5792					TE CONNECTIVITY - POLAMCO LTD RESERVES THE RIGHT TO AMEND THIS DRAWING AND THE INFORMATION SET FORTH HEREON AT ANY TIME. USERS SHOULD INDEPENDENTLY EVALUATE THE SUITABILITY OF THE PRODUCT FOR THEIR APPLICATION.	<b>DRAWING NO:</b> 218M5XX
					<b>DRAWING REV:</b> H	<b>SHT</b> 1

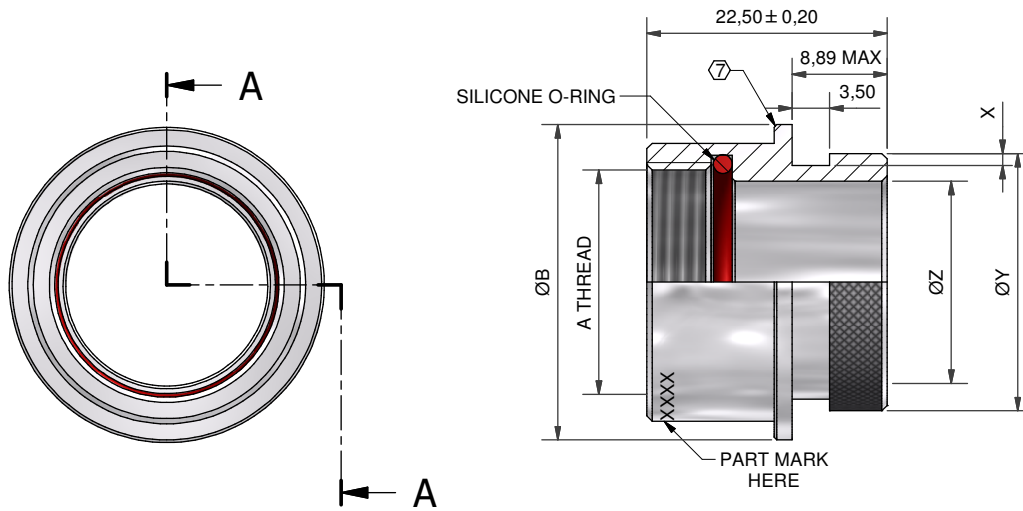
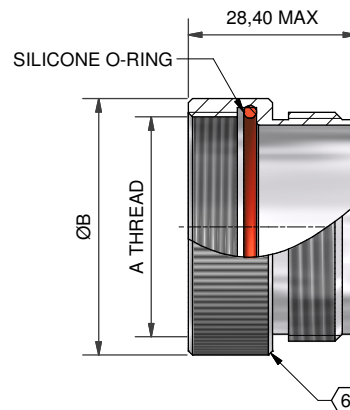


TABLE 1

ORDER NUMBER	SHELL SIZE	MFR CODE TABLE 3	A THREAD	ØB MAX	ØZ MIN	ØY MAX	X +0,20/-0,00
08	8S	B	3/8-32 UNEF	20,1	6,22	13,16	1,11
	8S	C	7/16-28 UNEF	20,1	7,80	13,16	1,11
	8S	A, R	7/16-27 UNS	20,1	7,80	13,16	1,11
	8S	D (6)	(5)	20,1	7,80	13,16	1,11
10	10S	-	1/2-28 UNEF	20,1	9,40	14,99	1,11
11	10SL	C	9/16-24 UNEF	23,1	11,00	14,99	1,11
	10SL	A, B, R	5/8-24 UNEF	23,1	12,57	19,28	1,11
	10SL	D (6)	(5)	23,1	11,00	19,28	1,11
12	12 & 12S	B, C	5/8-24 UNEF	23,1	12,57	19,28	1,11
	12 & 12S	A, R	11/16-24 UNEF	24,6	14,15	19,28	1,11
	12 & 12S	D (6)	(5)	24,6	12,57	19,28	1,11
14	14 & 14S	-	3/4-20 UNEF	26,4	15,75	20,91	1,11
16	16 & 16S	-	7/8-20 UNEF	29,5	18,92	24,08	1,11
18	18	-	1-20 UNEF	32,8	20,50	26,07	1,11
20	20	A, B, C	1 1/8-18 UNEF	35,8	25,27	34,04	1,75
	20	R	1 1/8-24 UNS	35,8	25,27	34,04	1,75
	20	D (6)	(5)	35,8	25,27	34,04	1,75
22	22	-	1 1/4-18 UNEF	39,1	28,45	36,28	1,75
24	24	-	1 3/8-18 UNEF	42,2	31,62	40,49	1,75
28	28	-	1 5/8-18 UNEF	48,5	34,80	43,03	2,18
32	32	B, C	1 7/8-16 UN	54,9	41,15	48,37	2,18
	32	A, R	1 29/32-18 UN	54,9	41,15	48,37	2,18
	32	D (6)	(5)	54,9	41,15	48,37	2,18
36	36	B	2 1/16-16 UNS	61,2	47,50	54,72	2,18
	36	R	2 1/16-20 UNS	61,2	47,50	54,72	2,18
	36	C	2 1/8-16 UN	61,2	47,50	54,72	2,18
	36	A	2 1/8-18 UNS	61,2	47,50	54,72	2,18
	36	D (6)	(5)	61,2	47,50	54,72	2,18
40	40	B	2 5/16-16 UN	67,6	53,85	60,63	2,18
	40	A, C, R	2 3/8-16 UN	67,6	53,85	60,63	2,18
	40	D (6)	(5)	67,6	53,85	60,63	2,18
44	44	-	2 5/8-16 UN	74,6	60,20	67,10	2,18
48	48	C	2 13/16-18 UNS	81,0	66,55	73,46	2,18
	48	A, R	2 7/8-16 UN	81,0	66,55	73,46	2,18
	48	D (6)	(5)	81,0	66,55	73,46	2,18

TABLE 2

MFR CODE	CONNECTOR MANUFACTURER (MS 3100, MS 3101 & MS 3106)
A	AMPHENOL - CLASS A
B	BENDIX - CLASS A, E & R
C	CANNON - CLASS A, E & R
D	MFR UNKNOWN, CLASS A, E & R
R	AMPHENOL - CLASS R
-	MFR CODE NOT REQUIRED



DRAWN	K.WINCZURA	DATE	25/09/2015
CHECKED		DATE	25/09/2015
APPROVED	K.SHEPPARD	DATE	25/09/2015
APPROVED	H.SMITH	DATE	06/10/2015



3RD ANGLE PROJECTION  
NOT TO SCALE

UNLESS OTHERWISE SPECIFIED  
ALL DIMENSIONS IN MILLIMETRES  
GENERAL TOL  
LINEAR +/-0,25MM  
ANGULAR +/- 1°

REVISIONS

LTR	DESCRIPTION	DATE	APPROVED
G	REVISED PER ECN AD93042		
H	REVISED PER ECO-15-014373	06/10/2015	H.SMITH

**TITLE:**  
DIRECT COUPLING, LOW PROFILE HEAT SHRINK  
BOOT BACKSHELL

**ASSY USED ON:**

MIL-DTL-5015D



TE CAGE CODE: 06090  
POLAMCO/TE CAGE CODE: U5792

TE CONNECTIVITY - POLAMCO LTD RESERVES THE RIGHT TO AMEND THIS DRAWING AND THE INFORMATION SET FORTH HEREON AT ANY TIME. USERS SHOULD INDEPENDENTLY EVALUATE THE SUITABILITY OF THE PRODUCT FOR THEIR APPLICATION.

DRAWING NO:  
**218M5XX**

DRAWING REV:  
**H**

SHT  
**2**

## Looking for pricing, stock, or lifecycle information?

Click below to explore more details on WIN SOURCE:

- ⊖ [View 218M720-19A12](#) on WIN SOURCE
- ⊖ [TE Connectivity](#) Information

## Optimize Your Supply Chain with WIN SOURCE Solutions

- ✓ Global Sourcing Solution
- ✓ Obsolete Management
- ✓ Cost Control Management
- ✓ Shortage Management
- ✓ Alternative Solution
- ✓ Excess Inventory Management