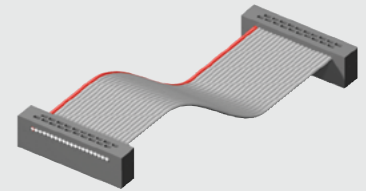
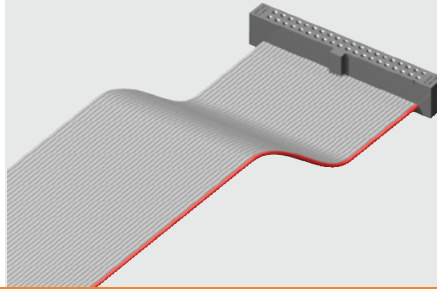




**THE DATASHEET OF
FFSD-06-S-60.00-01-N**





FFSD-10-D-02.00-01-N

FFSD SERIES

(1.27 mm) .050"

TIGER EYE™ FLAT IDC WIRE CABLES

Mates with:
FTS, FTSH, EHF,
SHF, ESHF

SPECIFICATIONS

For complete specifications see www.samtec.com?FFSD

Insulator Material:

PBT

Contact:

BeCu

Plating:

10 μ" (0.25 μm) Au over 50 μ" (1.27 μm) Ni on contact area; Sn over 50 μ" (1.27 μm) Ni on balance

Wire:

30 AWG

Current Rating (FFSD/FTSH):

2.3 A per pin

(2 pins powered)

Operating Temp Range:

-40 °C to +105 °C

Lead Size Accepted:

(0.41 mm) .016" SQ

Insertion Depth:

(2.64 mm) .104" to

(3.17 mm) .125"

RoHS Compliant:

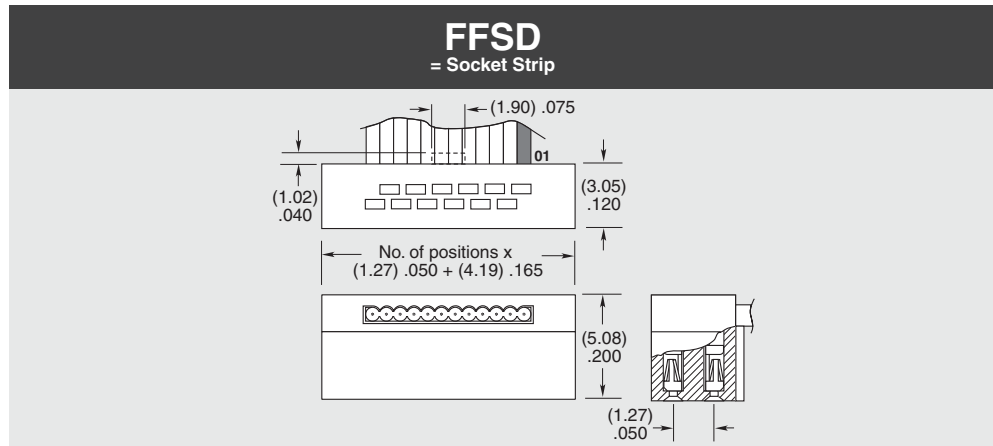
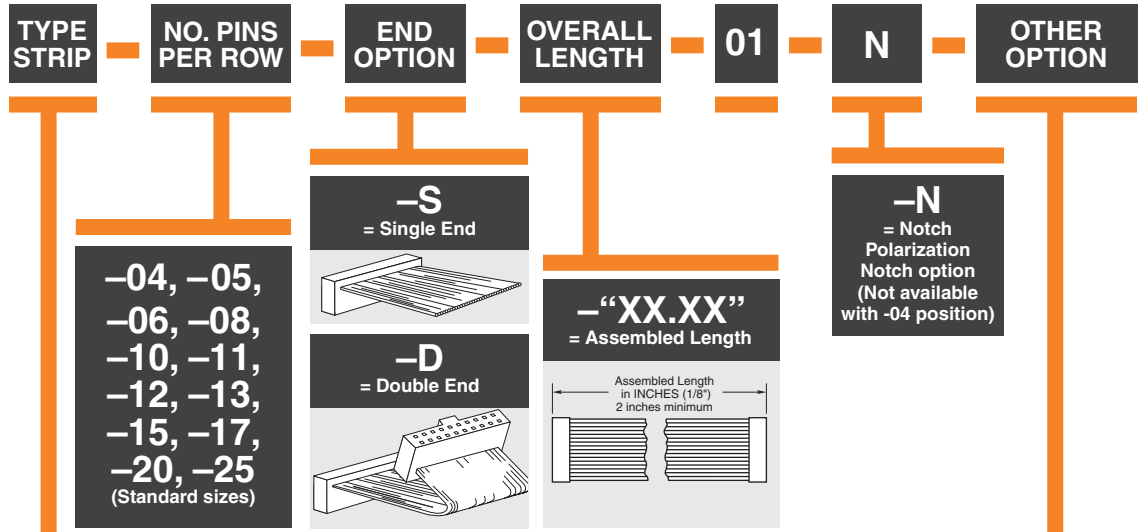
Yes

RECOGNITIONS

For complete scope of recognitions see www.samtec.com/quality

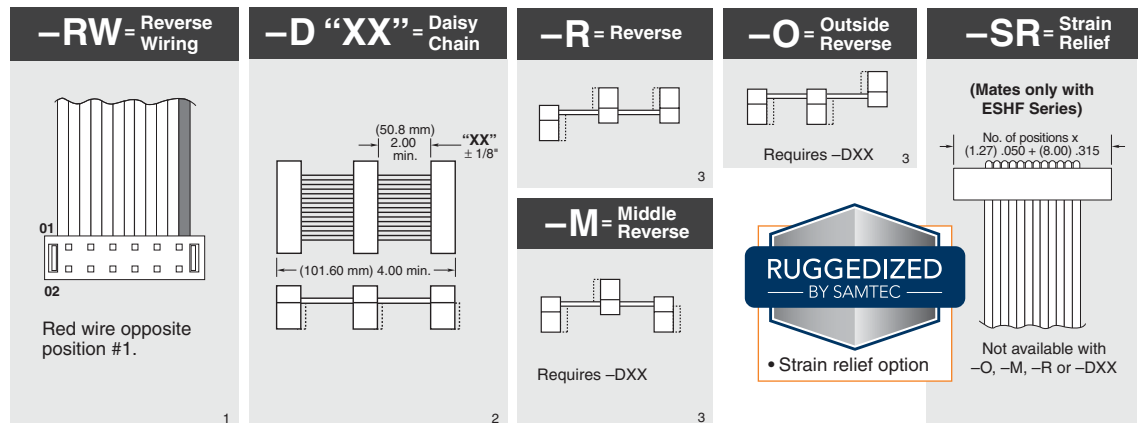


FILE NO. E111594



ALSO AVAILABLE
(MOQ Required)

- Other sizes



- Strain relief option

Note: This Series is non-standard, non-returnable.

Due to technical progress, all designs, specifications and components are subject to change without notice.

WWW.SAMTEC.COM

All parts within this catalog are built to Samtec's specifications. Customer specific requirements must be approved by Samtec and identified in a Samtec customer-specific drawing to apply.

Looking for pricing, stock, or lifecycle information?

Click below to explore more details on WIN SOURCE:

- ⊖ [View FFSD-06-S-60.00-01-N on WIN SOURCE](#)
- ⊖ [Samtec Inc. Information](#)

Optimize Your Supply Chain with WIN SOURCE Solutions

- ✓ Global Sourcing Solution
- ✓ Obsolete Management
- ✓ Cost Control Management
- ✓ Shortage Management
- ✓ Alternative Solution
- ✓ Excess Inventory Management