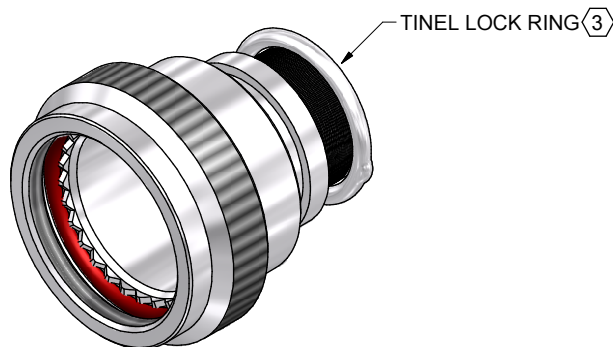




**THE DATASHEET OF
TXR41AB90-1610AI-CS8152**





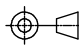


CODE 41 - TINEL-LOCK BACKSHELL

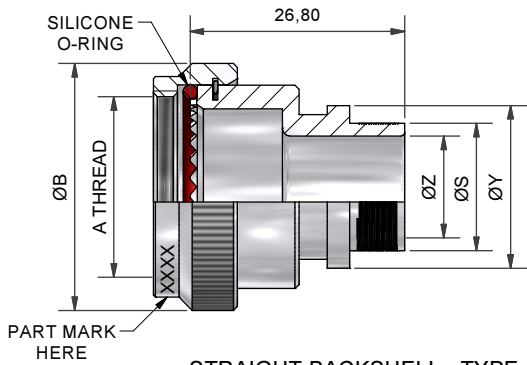
TXR41AB00-1608AI-S

SERIES _____
 TXR: RING INCLUDED
 (SEE RING OPTION)
 TX: RING NOT INCLUDED
 CONNECTOR INTERFACE _____
 MATERIAL _____
 REFER TO CH00-0250-008
 FINISH _____
 REFER TO CH00-0250-008
 ANGLE _____
 DASH NUMBER (TABLE 1) _____
 ENTRY SIZE (TABLE 2) _____
 RING OPTION _____
 AI - TO SUIT SINGLE BRAID
 BI - TO SUIT DOUBLE BRAID
 FOR TX, LEAVE BLANK
 MODIFICATION CODE _____
 REFER TO CH00-0250-008

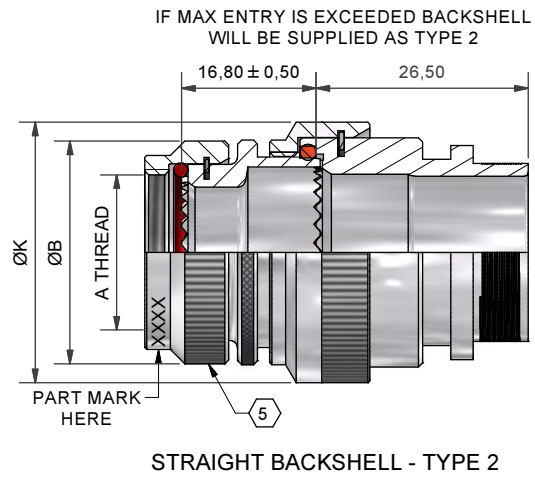
NOTES:

1. THIS PRODUCT IS DESIGNED TO TERMINATE A BRAIDED CABLE SHIELD AND A HEAT SHRINKABLE LIPPED BOOT TO A CONNECTOR.
2. FOR ADDITIONAL DIMENSIONS, ORDERING INFORMATION AND MODIFICATIONS, SEE CH00-0250-008.
3. SEE DRAWING TR FOR DETAIL ON TINEL-LOCK RING, RINGS ARE DESIGNED TO BE HEATED ELECTRICALLY, ALL RINGS ARE MARKED WITH THERMOCHROMIC PAINT WHICH CHANGES COLOUR WHEN INSTALLATION TEMPERATURE IS REACHED.
4. BACKSHELL TO BE PERMANENTLY MARKED/BAGGED AND LABELLED WITH CODE IDENTIFICATION NUMBER AND PART NUMBER LESS RING DESIGNATOR. (e.g. 06090-TXR41AB00-1206). RING SHALL BEAR NO MARKING.
5. FOR LARGER ENTRY SIZES, A 2 PIECE BACKSHELL ASSEMBLY (TYPE 2) IS SUPPLIED.
6. BACKSHELL MATES TO MIL-DTL-38999, SERIES I AND II, CLASS E AND T, MS27466, MS27467, MS27468, MS27472, MS27473, MS27474, MS27479, MS27480, MS27481, MS27484, MS27497, MS27652, MS27653, MS27656 CONNECTORS.
7. THESE DIMENSIONS APPLY IF A SELF-LOCKING COUPLING NUT IS USED.

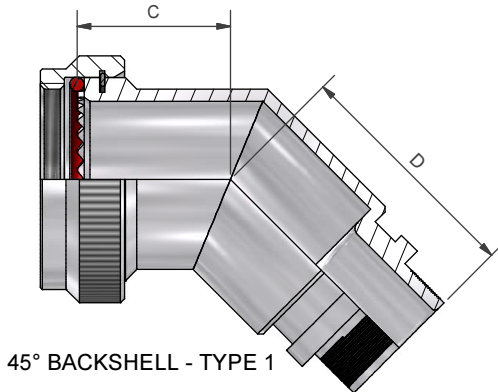
DRAWN	K.WINCZURA	DATE	04/12/2014	 3RD ANGLE PROJECTION NOT TO SCALE	TITLE: TINEL-LOCK BACKSHELL	 Polanco 		
CHECKED		04/12/2014						
APPROVED	K.SHEPPARD	04/12/2014	<small>UNLESS OTHERWISE SPECIFIED ALL DIMENSIONS IN MILLIMETRES GENERAL TOL LINEAR +/-0.25MM ANGULAR +/- 1°</small>					
APPROVED	H.SMITH	16/02/2015						
REVISIONS					ASSY USED ON: MIL-DTL-38999 SERIES I & II			
LTR	DESCRIPTION	DATE	APPROVED					
H	REVISED PER ECO-12-021161	04.12.12	G.WELLS					
J	REVISED PER ECO-15-002319	16.02.15	H.SMITH					
TE CAGE CODE: 06090 POLAMCO/TE CAGE CODE: U5792					<small>TE CONNECTIVITY - POLAMCO LTD RESERVES THE RIGHT TO AMEND THIS DRAWING AND THE INFORMATION SET FORTH HEREON AT ANY TIME. USERS SHOULD INDEPENDENTLY EVALUATE THE SUITABILITY OF THE PRODUCT FOR THEIR APPLICATION.</small>	DRAWING NO: TXR41	DRAWING REV: J	SHT 1



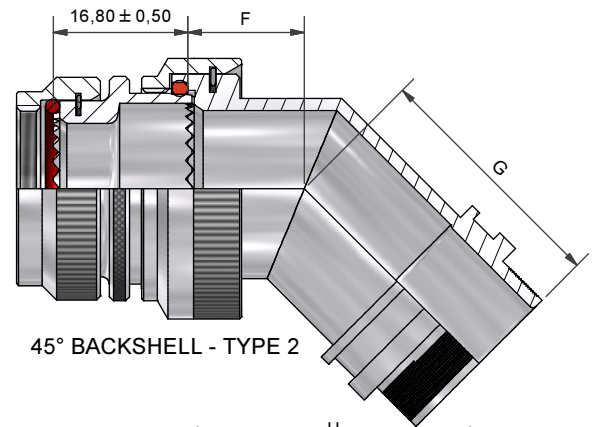
STRAIGHT BACKSHELL - TYPE 1



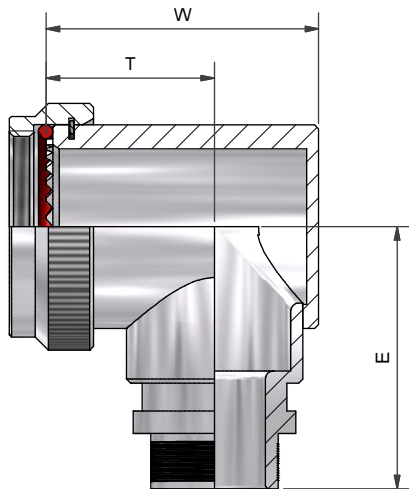
STRAIGHT BACKSHELL - TYPE 2



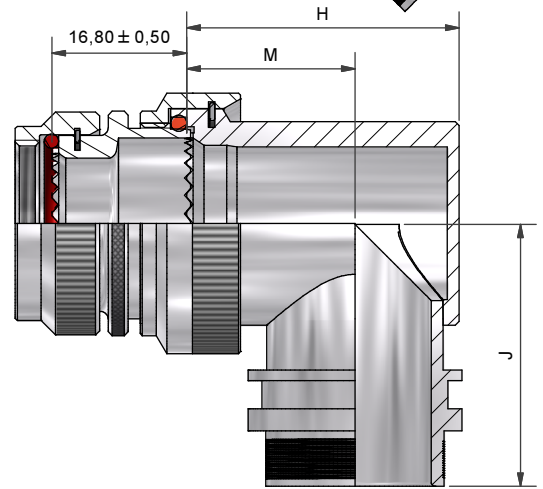
45° BACKSHELL - TYPE 1



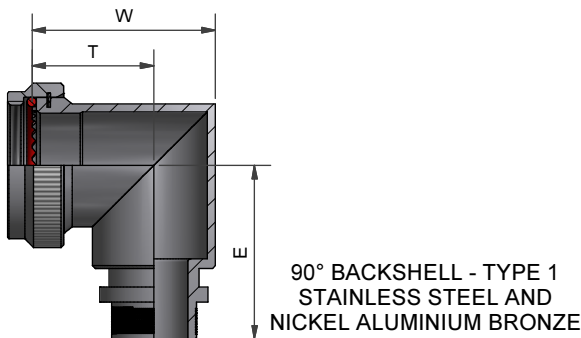
45° BACKSHELL - TYPE 2



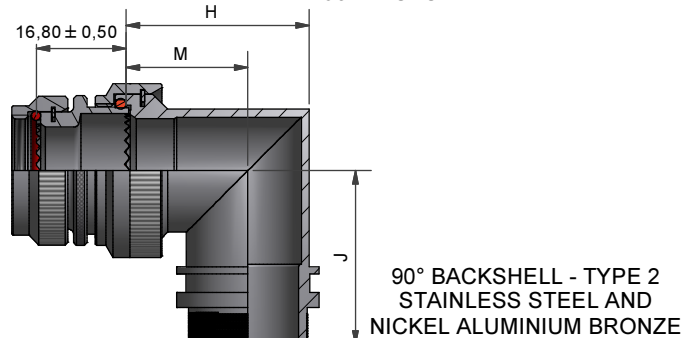
90° BACKSHELL - TYPE 1



90° BACKSHELL - TYPE 2

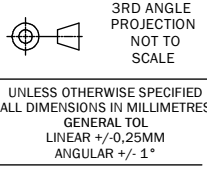


90° BACKSHELL - TYPE 1
STAINLESS STEEL AND
NICKEL ALUMINIUM BRONZE



90° BACKSHELL - TYPE 2
STAINLESS STEEL AND
NICKEL ALUMINIUM BRONZE

DRAWN	K.WINCZURA	DATE	04/12/2014
CHECKED		DATE	04/12/2014
APPROVED	K.SHEPPARD	DATE	04/12/2014
APPROVED	H.SMITH	DATE	16/02/2015
REVISIONS			
LTR	DESCRIPTION	DATE	APPROVED
H	REVISED PER ECO-12-021161	04.12.12	G.WELLS
J	REVISED PER ECO-15-002319	16.02.15	H.SMITH



TITLE: TINEL-LOCK BACKSHELL

ASSY USED ON: MIL-DTL-38999 SERIES I & II

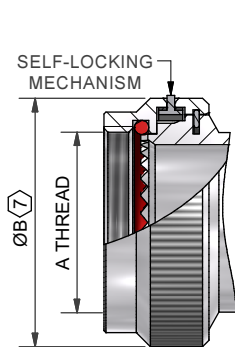


TE CAGE CODE: 06090
POLAMCO/TE CAGE CODE: U5792

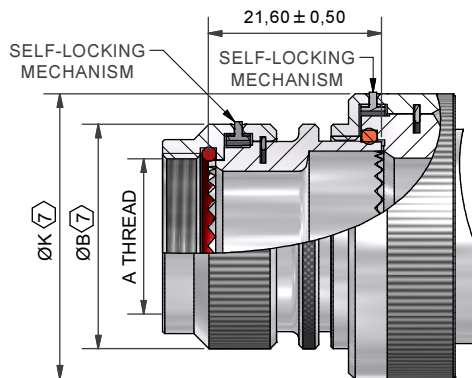
TE CONNECTIVITY - POLAMCO LTD RESERVES THE RIGHT TO AMEND THIS DRAWING AND THE INFORMATION SET FORTH HEREON AT ANY TIME. USERS SHOULD INDEPENDENTLY EVALUATE THE SUITABILITY OF THE PRODUCT FOR THEIR APPLICATION.

DRAWING NO:	DRAWING REV:	SHT
TXR41	J	2

MODIFICATION S (SELF-LOCKING COUPLING NUT)



BACKSHELL - TYPE 1



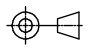
BACKSHELL - TYPE 2

TABLE 1

ORDER NO.	SHELL SIZE SER I / SER II	A THREAD	ØB MAX	ØB MAX (7)	MAX ENTRY	C ±0,5	D ±0,5	W ±0,5	T ±0,5	E ±0,5	THESE DIMENSIONS APPLY IF BACKSHELL IS STAINLESS STEEL OR NICKEL ALUMINIUM BRONZE		
											W ±0,5	T ±0,5	E ±0,5
08	9 / 8	7/16-28UNEF	18,3	18,0	04	16,4	26,8	21,0	14,0	26,20	21,3	16,4	26,4
10	11 / 10	9/16-24UNEF	21,5	21,0	07	17,2	27,5	24,0	15,5	27,95	24,4	17,3	28,2
12	13 / 12	11/16-24UNEF	24,5	25,0	08	17,6	28,0	27,0	17,0	29,45	28,4	19,5	29,7
14	15 / 14	13/16-20UNEF	27,8	28,0	10	18,5	29,0	31,0	19,5	31,00	31,2	21,0	31,2
16	17 / 16	15/16-20UNEF	30,8	31,0	12	19,2	29,7	34,0	21,0	32,70	34,3	22,8	32,9
18	19 / 18	1 1/16-18UNEF	34,1	34,0	14	19,6	30,5	35,0	20,0	34,25	38,6	25,3	34,5
20	21 / 20	1 3/16-18UNEF	37,3	37,0	16	20,4	30,9	38,0	21,5	35,80	40,8	26,1	36,1
22	23 / 22	1 5/16-18UNEF	40,5	40,0	18	20,8	31,1	42,0	24,0	37,40	43,8	27,6	37,6
24	25 / 24	1 7/16-18UNEF	43,7	43,5	20	21,7	32,1	45,0	25,5	38,90	46,5	29,1	39,1

TABLE 2

ENTRY SIZE	ØZ MIN	ØS	ØY ± 0,3	ØK MAX	ØK MAX (7)	F ±0,5	G ±0,5	H ±0,5	M ±0,5	J ±0,5	THESE DIMENSIONS APPLY IF BACKSHELL IS STAINLESS STEEL OR NICKEL ALUMINIUM BRONZE		
											H ±0,5	M ±0,5	J ±0,5
04	6,35	9,49 +/-0,04	14,00	NA	NA	NA	NA	NA	NA	NA	NA	NA	NA
05	7,92	11,06 +/-0,04	15,50	21,0	24,6	12,5	27,5	24,0	15,5	27,95	24,3	17,2	28,2
06	9,53	12,66 +/-0,04	17,10	21,0	24,6	12,5	27,5	24,0	15,5	27,95	24,3	17,2	28,2
07	11,10	14,21 +/-0,07	18,70	21,0	24,6	12,5	27,5	24,0	15,5	27,95	24,3	17,2	28,2
08	12,70	15,81 +/-0,07	20,30	24,5	28,3	13,1	28,0	27,0	17,0	29,45	28,3	19,4	29,7
10	15,88	18,96 +/-0,08	23,50	29,0	32,4	13,5	29,0	31,0	19,5	31,00	31,1	21,0	31,2
12	19,05	22,14 +/-0,08	26,70	32,5	35,6	14,5	29,7	34,0	21,0	32,70	34,2	22,8	32,9
14	22,23	25,30 +/-0,08	29,80	35,5	38,5	15,5	30,5	35,0	20,0	34,25	38,5	25,3	34,5
16	25,40	28,48 +/-0,08	33,00	37,0	41,7	16,1	30,9	38,0	21,5	35,80	40,7	26,1	36,1
18	28,58	31,65 +/-0,08	36,20	40,0	43,9	16,5	31,1	42,0	24,0	37,40	43,7	27,6	37,6
20	31,75	34,83 +/-0,08	39,40	43,5	47,0	17,0	32,1	45,0	25,5	38,90	46,4	29,1	39,1
22	34,93	37,98 +/-0,08	42,50	48,5	50,0	18,5	35,3	54,5	31,0	42,00	50,0	31,0	42,0
24	38,10	41,15 +/-0,08	45,70	52,1	56,0	21,9	38,1	58,0	33,0	46,00	53,5	33,0	46,0

DRAWN	K.WINCZURA	DATE	04/12/2014	 3RD ANGLE PROJECTION NOT TO SCALE UNLESS OTHERWISE SPECIFIED ALL DIMENSIONS IN MILLIMETRES GENERAL TOL LINEAR +/-0,25MM ANGULAR +/- 1°
CHECKED		DATE	04/12/2014	
APPROVED	K.SHEPPARD	DATE	04/12/2014	
APPROVED	H.SMITH	DATE	16/02/2015	
REVISIONS				
LTR	DESCRIPTION	DATE	APPROVED	
H	REVISED PER ECO-12-021161	04.12.12	G.WELLS	
J	REVISED PER ECO-15-002319	16.02.15	H.SMITH	
TE CAGE CODE: 06090 POLAMCO/TE CAGE CODE: U5792				

TITLE:		TINEL-LOCK BACKSHELL		
ASSY USED ON:		MIL-DTL-38999 SERIES I & II		
TE CONNECTIVITY - POLAMCO LTD RESERVES THE RIGHT TO AMEND THIS DRAWING AND THE INFORMATION SET FORTH HEREON AT ANY TIME. USERS SHOULD INDEPENDENTLY EVALUATE THE SUITABILITY OF THE PRODUCT FOR THEIR APPLICATION.				
DRAWING NO:		DRAWING REV:		SHT
TXR41		J		3





Polamco



Looking for pricing, stock, or lifecycle information?

Click below to explore more details on WIN SOURCE:

-  [View TXR41AB90-1610AI-CS8152 on WIN SOURCE](#)
-  [TE Connectivity Information](#)

Optimize Your Supply Chain with WIN SOURCE Solutions

-  Global Sourcing Solution
-  Obsolete Management
-  Cost Control Management
-  Shortage Management
-  Alternative Solution
-  Excess Inventory Management