



**THE DATASHEET OF
7528F5614-9CS2358**



SPECIFICATION CONTROL DRAWING

7528F5614

CHEMINAX

75 OHM, AWG 28, 7 STRANDS OF AWG 36, TRIAXIAL CABLE

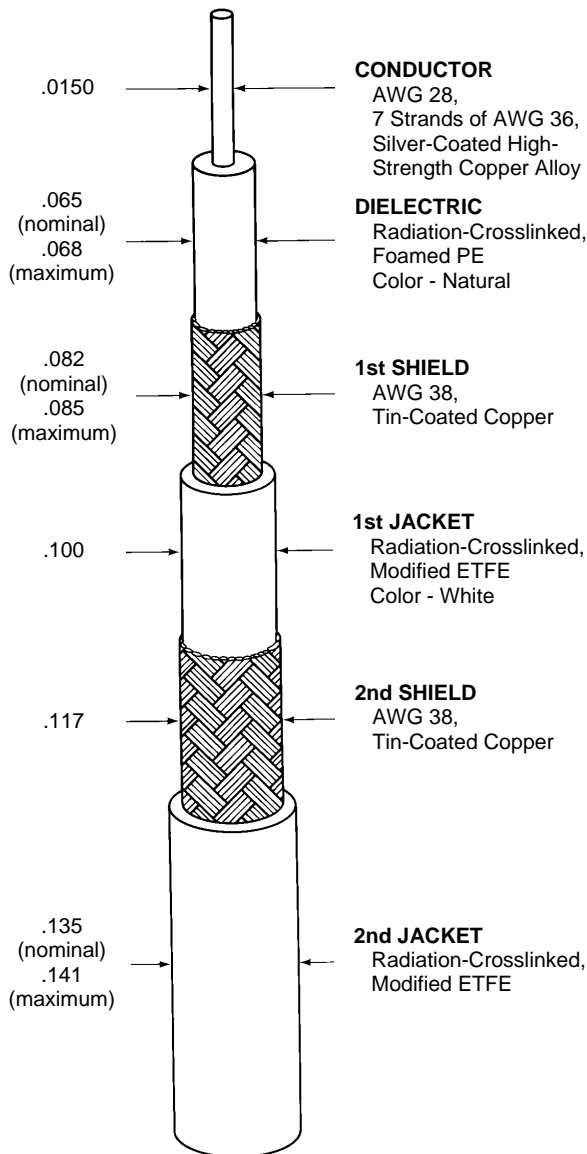
Date: 9-28-16
Revision: H

THIS SPECIFICATION SHEET FORMS A PART OF THE LATEST ISSUE OF RAYCHEM SPECIFICATION 1200.

CONSTRUCTION DETAILS

ELECTRICAL CHARACTERISTICS

DIMENSIONS ARE NOMINAL VALUES IN INCHES, UNLESS OTHERWISE DESIGNATED.



CHARACTERISTIC IMPEDANCE	75 ± 3 ohms, Method B
CAPACITANCE	17.7 pF/ft. (nominal) 19.5 pF/ft. (maximum)
VELOCITY OF PROPAGATION	77% (nominal)

ADDITIONAL REQUIREMENTS

ELECTRICAL

CONDUCTOR RESISTANCE	74.0 ohms/1000 ft. (nominal)
INSULATION RESISTANCE CONDUCTOR TO SHIELD	10,000 megohms (minimum) for 1000 ft.
JACKET FLAWS SPARK TEST IMPULSE TEST	1.0 kV (rms) 6.0 kV (peak)
VOLTAGE WITHSTAND CONDUCTOR TO SHIELD SHIELD TO SHIELD	1000 volts (rms) (minimum) 500 volts (rms) (minimum)

ENVIRONMENTAL

FLAMMABILITY	Method B
HEAT SHOCK	225°C
LOW TEMPERATURE-COLD BEND	-55°C/3.75 inch mandrel
VOLTAGE WITHSTAND (Post Environmental)	1000 volts (rms), 1 minute

PHYSICAL

INSULATION (DIELECTRIC) ELONGATION TENSILE STRENGTH	50% (minimum) 1000 lbf/in ² (minimum)
JACKET (each) ELONGATION TENSILE STRENGTH	50% (minimum) 5000 lbf/in ² (minimum)
JACKET THICKNESS (each)	.009 inch (nominal)
SHIELD COVERAGE (each)	90% (minimum)

Designate outer jacket color with a dash number in accordance with MIL-STD-681. Unless otherwise specified, outer jacket color will be white designated by a "-9" appended to the part number, (e.g. 7528F5614-9). Other codes and suffixes may be added to the part number, as necessary, to capture any additional requirements imposed by the purchase order.

WEIGHT	15.7 lbs/1000 ft. (nominal)
--------	-----------------------------

ENGINEERING REFERENCE

TEMPERATURE RATING	115°C (maximum)
--------------------	-----------------

Users should evaluate the suitability of this product for their application. Specifications are subject to change without notice. Tyco Electronics Corporation also reserves the right to make changes in materials or processing, which do not affect compliance with any specification, without notification to Buyer.



Looking for pricing, stock, or lifecycle information?

Click below to explore more details on WIN SOURCE:

 [View 7528F5614-9CS2358](#) on WIN SOURCE

 [TE Connectivity](#) Information

Optimize Your Supply Chain with WIN SOURCE Solutions

-  Global Sourcing Solution
-  Obsolete Management
-  Cost Control Management
-  Shortage Management
-  Alternative Solution
-  Excess Inventory Management