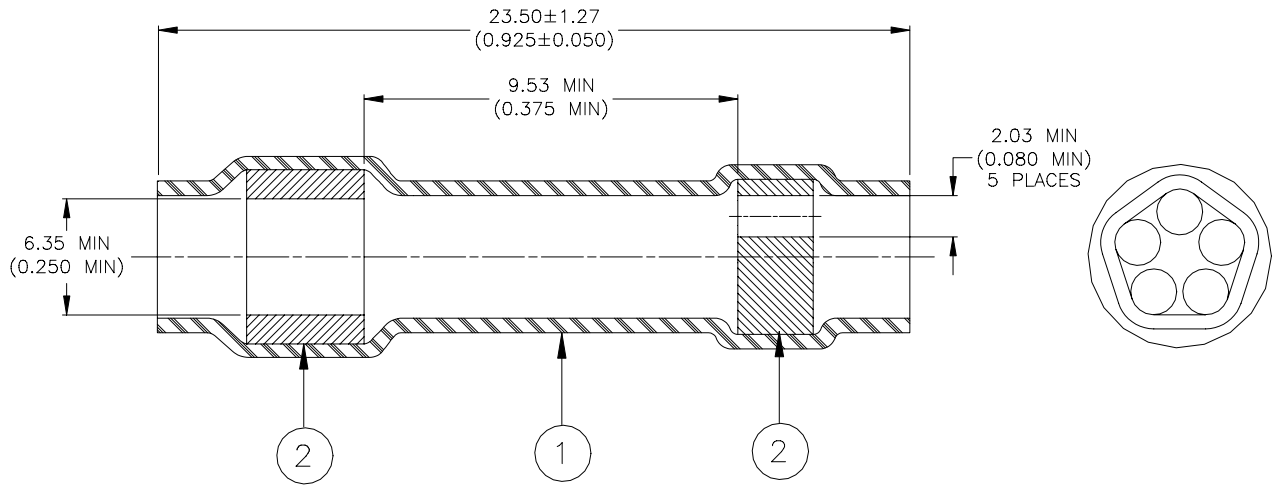




**THE DATASHEET OF
D-436-46CS1102**



SPECIFICATION CONTROL DRAWING



MATERIALS

1. **INSULATION SLEEVE:** Heat-shrinkable, transparent blue, radiation cross-linked modified polyvinylidene fluoride.

Recovered Dimensions: I.D.: 3.18 max (0.125 max)

Wall Thickness: 0.33 min. (0.013 min)

2. **SEALING INSERTS:** Fluorocarbon-based thermoplastic, Color: natural.

APPLICATION


1. This part is designed to provide an environment resistant seal on stub or parallel splices, having no more than two wires, rated for at least 135°C, exiting from any one hole.
2. To install parts, insert wires through multi-holed insert and make crimp in usual manner. Reposition sleeve so that crimp barrel is between the two inserts. Hold sleeve in this position by squeezing the wires behind the multi-hole insert. Heat sleeve using a Raychem approved convection heater. Apply heat first to multi-hole insert end of sleeve until the insert melts and flows, then heat other insert until it flows.
3. Maximum weight of part: 0.52 grams.

Raychem Interconnect <small>a division of Tyco Electronics</small> 300 Constitution Drive Menlo Park, CA 94025, USA		THERMOFIT DEVICES		TITLE : SEALING SLEEVE, STUB SPLICE			
UNLESS OTHERWISE SPECIFIED DIMENSIONS ARE IN MILLIMETERS. INCHES DIMENSIONS ARE BETWEEN BRACKETS.				DOCUMENT NO.: D-436-46			
TOLERANCES: 0.00 N/A 0.0 N/A 0 N/A	ANGLES: N/A ROUGHNESS IN MICRON	Raychem reserves the right to amend this drawing at any time. Users should evaluate the suitability of the product for their application.		DCR NUMBER: D000568		REPLACES: N/A	
DRAWN BY: M. FORONDA	DATE: 02-Oct-00	PROD. REV. K	DOC ISSUE: 1	SCALE: None	SIZE: A	SHEET: 1 of 1	

If this document is printed it becomes uncontrolled. Check for the latest revision.

Looking for pricing, stock, or lifecycle information?

Click below to explore more details on WIN SOURCE:

 [View D-436-46CS1102](#) on WIN SOURCE

 [TE Connectivity](#) Information

Optimize Your Supply Chain with WIN SOURCE Solutions

-  Global Sourcing Solution
-  Obsolete Management
-  Cost Control Management
-  Shortage Management
-  Alternative Solution
-  Excess Inventory Management